

# SANMOTION

SERVO SYSTEMS

R **ADVANCED  
MODEL**

AC 100 V 30 W - 200 W, AC 200 V 30 W - 1 kW



**SANYO DENKI**

# SANMOTION R

SERVO SYSTEMS

ADVANCED MODEL

Input voltage **AC100 V, 200 V**

---

Servo amplifier



Amp.capacity 15A · 30A · 50A

R2 Servo motor



Flange size 40mm · 60mm · 80mm · 86mm



Rated output 30W · 50W · 80W · 100W · 200W · 400W · 750W · 1.0kW



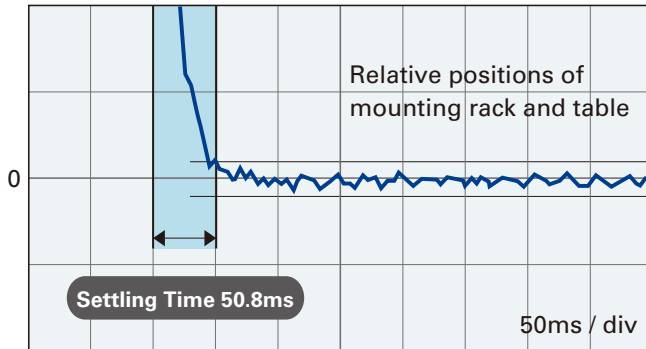
## Index

Features	P. 3
Standard Model Number List	P. 7
Model Number Nomenclature	P. 11
System Configuration	P. 13
Servo Amplifier Specifications	P. 15
Standard Specifications - Servo Amplifier+Servo Motor	P. 16
External Wiring Diagram	P. 21
Encoder Wiring Diagram	P. 23
PNP/NPN Output Specifications	P. 24
Dimensions	P. 25
Setup Software	P. 27
Optional Equipment	P. 29

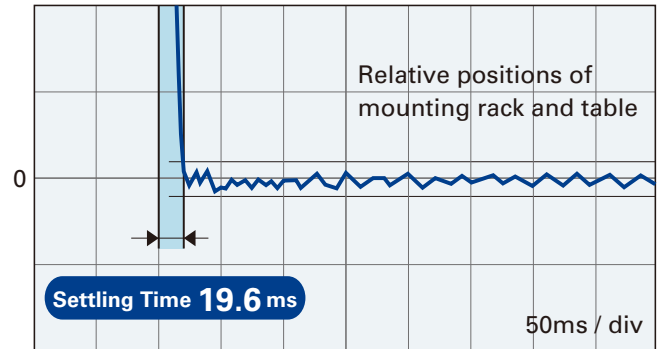
### 50% Shorter Position Settling Time <sup>※</sup>

The vibrations of the low rigidity machine stand resonance is minimized, and shortens positioning settling time. The amplifier is suitable for chip mounters and equipment needs high speed positioning.

※ Compared with our conventional product "SANMOTION R".



Our conventional product

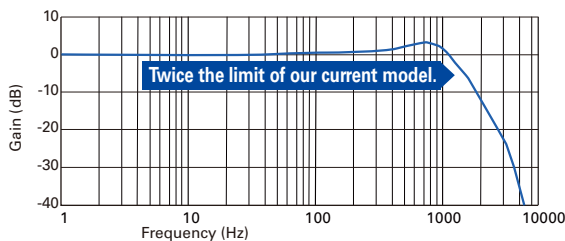


**SANMOTION R ADVANCED MODEL**

### Doubled Frequency Response Limit

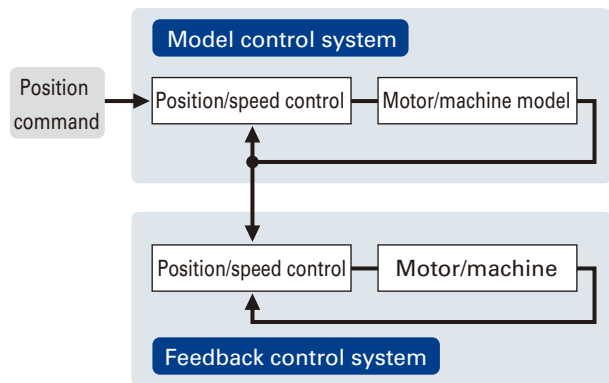
The frequency response limit has been increased to 1200 Hz, twice the limit of our current model. <sup>※</sup>

※ Compared with our conventional product "SANMOTION R".



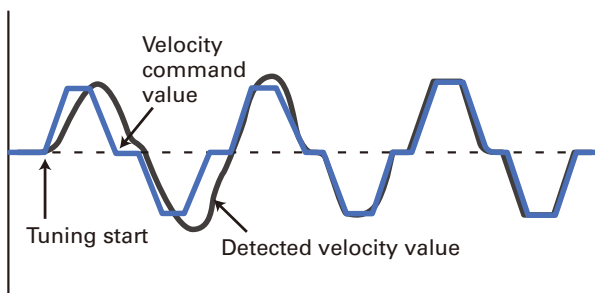
### Features Model-based Following Control

Model-based tracking control enables an improved target response curve, enhanced disturbance suppression, and greater robustness.



### Auto-Tuning

Servo amplifier automatically optimizes servo gain and filter frequency in realtime.



### Small Compact Servomotors

Motor size and volume is reduced by as much as 30% and 25% respectively compared to our current models. This provides high torque and high performance in a small package.

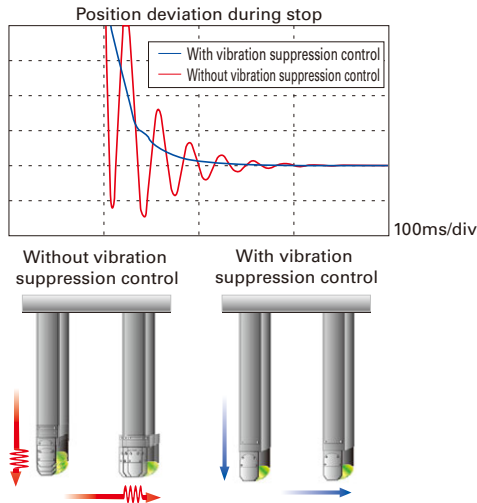
※ Compared with our conventional product "SANMOTION Q".



30% reduction

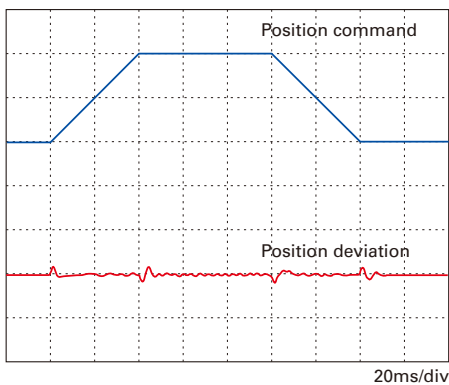
## Feed-forward vibration suppression control

With feed-forward vibration suppression control, vibrations at the processing point and base of a machine can be suppressed through simple tuning procedures. Vibration control frequencies are selectable.



## Command Follow-up Control

Performance of the positioning doubled in comparison with current models by adoption of new positioning control algorithm and new speed control algorithm. And position deviation  $\approx 0$  is achieved.

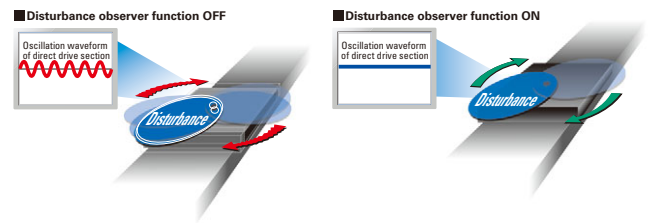


## Resonance Suppression

A 4th-order notch filter reduces phase delay to suppress mechanical resonance and improve velocity response of equipment.

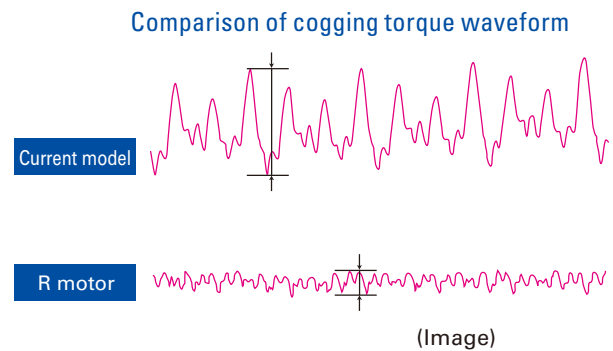
## Disturbance Suppression

It is possible to control impacts from other axes in case of multiaxial constitution, by using the new disturbance observer with extended applicable frequency.



## Low Cogging Torque

Using our proprietary technology, the motor's low cogging torque delivers smooth rotation that is ideal for high precision processes and vibration-sensitive conveyor applications.



## High Resolution

Support for encoders up to 17 bit (131,072 divisions) is available for high resolution control. An optional 20 bit encoder (1,048,576 divisions) is also available.

### Now Available with EtherCAT Interface

EtherCAT is a 100Mbps high-speed fieldbus system, which helps shorten Takt time. It is compatible with Ethernet, and its high versatility enables the creation of a system compatible with a variety of devices. Servo amplifier firmware can be updated via EtherCAT. It is also certified through EtherCAT conformance testing conducted by a third party organization.

**EtherCAT**  
Conformance tested



### Safety Model newly added to lineup

Since this new model safely shutdown motor torque, safety system is more easily installed on the equipments. This safety function is defined in the "IEC61800-5-2:Safe Torque Off" and "IEC60204-1:Stop Category 0". In addition, this model has aquired "IEC61508, SIL2/IEC62061,SILCL2" and "ISO13849-1:Cat.3,PL=d".



### Protection IP67

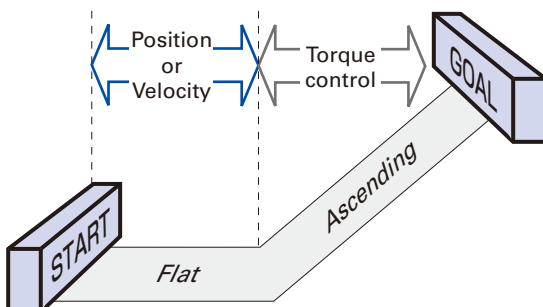
Protection code is IP67 for all models



\*Shaft feedthrough and cable end are excluded

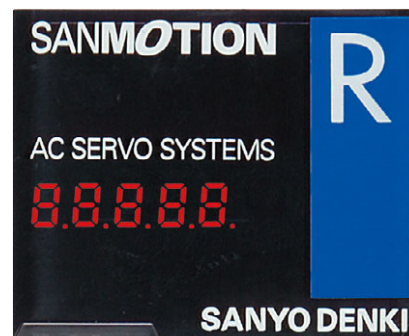
### All-in-One Control

Configurable parameters allow you to switch between control modes for torque, position or velocity.



### 5-digit LED Display, Built-in Operator

The built-in operator allows you to change parameters and monitor the amplifier status and alarm trace.



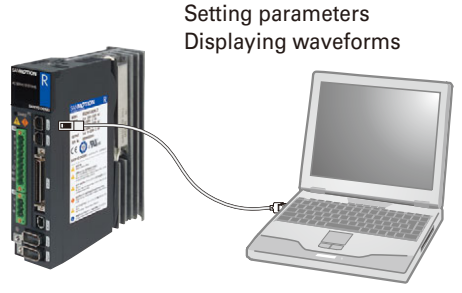
## Test Function (JOG)

On-board JOG operation function is available for testing motor and amplifier connection without the need to connect to host device.



## Setup Software

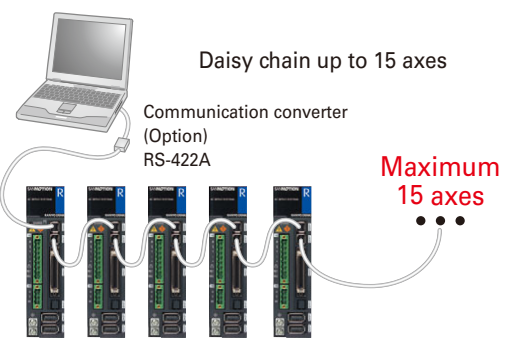
The setup software allows you to set parameters, view graphical displays of monitored position, velocity or torque waveforms.



## Multiaxial Monitor Function

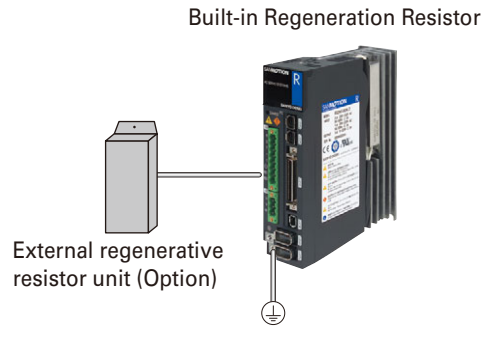
The setup software allows up to 15 axes to be monitored. To enable monitoring of multiple axes, an optional communication converter and amplifier communication cable are available.

\*Analog/Pulse input type only



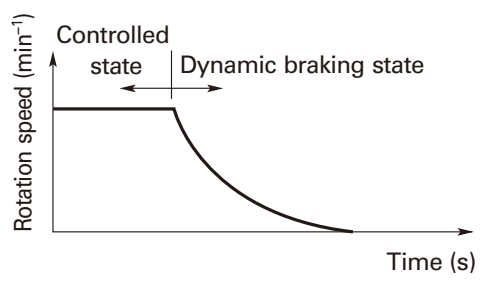
## Built-in Regeneration Resistor

It is possible to choose whether to equip regenerative resistance or not. If the regenerative resistance capability is insufficient, it is possible to use an external regenerative resistance unit.



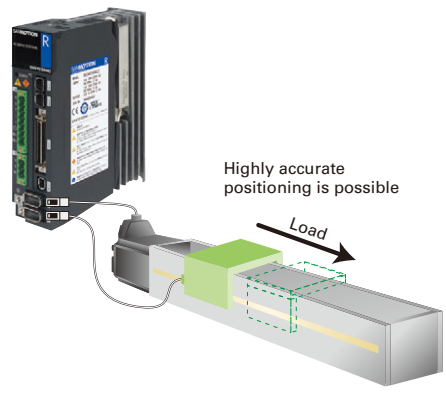
## Built-in Dynamic Brake

A built-in dynamic brake provides emergency stop capability. The six kinds of motion sequences for the dynamic brake can be selected by parameter setting.



## Fully-closed loop control

Fully-closed control is possible using a linear scale mounted on the device together with high resolution encoder information.



# Servo Motor Standard Model Number List

## 200V System

Power Voltage	Encoder models	Rated Output	Motor Flange Size	Holding Brake	CE-UL	Model No.					
200V	Battery backup method absolute encoder (PA035C)	30W	40mm sq.	—	—	R2AA04003FXP00					
				—	Standard	R2AA04003FXP00M					
				yes (DC24V)	—	R2AA04003FCP00					
				yes (DC24V)	Standard	R2AA04003FCP00M					
		50W	40mm sq.	—	—	—	R2AA04005FXP00				
					—	Standard	R2AA04005FXP00M				
					yes (DC24V)	—	R2AA04005FCP00				
					yes (DC24V)	Standard	R2AA04005FCP00M				
					100W	40mm sq.	—	—	—	R2AA04010FXP00	
								—	Standard	R2AA04010FXP00M	
		—	—	R2AA06010FXP00							
		—	Standard	R2AA06010FXP00M							
		60mm sq.	yes (DC24V)	—		R2AA06010FCP00					
			yes (DC24V)	Standard		R2AA06010FCP00M					
			200W	60mm sq.		—		—	R2AA06020FXP00		
						—		Standard	R2AA06020FXP00M		
		yes (DC24V)			—	R2AA06020FCP00					
		yes (DC24V)		Standard	R2AA06020FCP00M						
		80mm sq.		—	—	R2AA08020FXP00					
				—	Standard	R2AA08020FXP00M					
			yes (DC24V)	—	R2AA08020FCP00						
		yes (DC24V)	Standard	R2AA08020FCP00M							
		400W	60mm sq.	—	—	R2AA06040FXP00					
				—	Standard	R2AA06040FXP00M					
				—	—	R2AA08040FXP00					
			80mm sq.	—	—	R2AA08040FXP00M					
				yes (DC24V)	—	R2AA08040FCP00					
				yes (DC24V)	Standard	R2AA08040FCP00M					
		750W	80mm sq.	—	—	R2AA08075FXP00					
				—	Standard	R2AA08075FXP00M					
				yes (DC24V)	—	R2AA08075FCP00					
				yes (DC24V)	Standard	R2AA08075FCP00M					
		1000W	86mm sq.	—	—	R2AA08100FXP00					
				—	Standard	R2AA08100FXP00M					
				yes (DC24V)	—	R2AA08100FCP00					
				yes (DC24V)	Standard	R2AA08100FCP00M					
		Absolute encoder for incremental System (PA035S)	30W	40mm sq.	—	—	R2AA04003FXH00				
					—	Standard	R2AA04003FXH00M				
					yes (DC24V)	—	R2AA04003FCH00				
					yes (DC24V)	Standard	R2AA04003FCH00M				
			50W	40mm sq.	—	—	—	R2AA04005FXH00			
						—	Standard	R2AA04005FXH00M			
						yes (DC24V)	—	R2AA04005FCH00			
						yes (DC24V)	Standard	R2AA04005FCH00M			
						100W	40mm sq.	—	—	—	R2AA04010FXH00
									—	Standard	R2AA04010FXH00M
			—	—	R2AA06010FXH00						
			—	Standard	R2AA06010FXH00M						
	60mm sq.		yes (DC24V)	—	R2AA06010FCH00						
			yes (DC24V)	Standard	R2AA06010FCH00M						
			200W	60mm sq.	—		—		R2AA06020FXH00		
					—		Standard		R2AA06020FXH00M		
yes (DC24V)	—				R2AA06020FCH00						
yes (DC24V)	Standard			R2AA06020FCH00M							
80mm sq.	—			—	R2AA08020FXH00						
	—			Standard	R2AA08020FXH00M						
	yes (DC24V)		—	R2AA08020FCH00							
yes (DC24V)	Standard		R2AA08020FCH00M								
400W	60mm sq.		—	—	R2AA06040FXH00						
			—	Standard	R2AA06040FXH00M						
			—	—	R2AA08040FXH00						
	80mm sq.		—	—	R2AA08040FXH00M						
			yes (DC24V)	—	R2AA08040FCH00						
			yes (DC24V)	Standard	R2AA08040FCH00M						
750W	80mm sq.		—	—	R2AA08075FXH00						
			—	Standard	R2AA08075FXH00M						
			yes (DC24V)	—	R2AA08075FCH00						
			yes (DC24V)	Standard	R2AA08075FCH00M						
1000W	86mm sq.		—	—	R2AA08100FXH00						
			—	Standard	R2AA08100FXH00M						
			yes (DC24V)	—	R2AA08100FCH00						
			yes (DC24V)	Standard	R2AA08100FCH00M						

For specifications on other model, please contact us.



# Servo Amplifier Standard Model Number List

## 200V System

Type	Main Power	Control Power	Encoder Type	Selectable Output	Internal Registration Resistor	Safe Torque Off function	Amplifier Capacity	Model No.	
Analog/Pulse input type	AC200V system AC200 to 230V Three-phase	AC200V system AC200 to 230V Single-phase	Serial encoder	NPN	—	—	15A	RS2A01A0AL0	
							30A	RS2A03A0AL0	
							50A	RS2A05A0AL0	
						With	15A	RS2A01A0AL2	
							30A	RS2A03A0AL2	
							50A	RS2A05A0AL2	
					With	—	15A	RS2A01A0AA0	
							30A	RS2A03A0AA0	
							50A	RS2A05A0AA0	
						With	15A	RS2A01A0AA2	
							30A	RS2A03A0AA2	
							50A	RS2A05A0AA2	
				PNP	—	—	15A	RS2A01A0BL0	
							30A	RS2A03A0BL0	
							50A	RS2A05A0BL0	
						With	15A	RS2A01A0BL2	
							30A	RS2A03A0BL2	
							50A	RS2A05A0BL2	
					With	—	15A	RS2A01A0BA0	
							30A	RS2A03A0BA0	
							50A	RS2A05A0BA0	
						With	15A	RS2A01A0BA2	
							30A	RS2A03A0BA2	
							50A	RS2A05A0BA2	
EtherCAT interface type	AC200V system AC200 to 230V Three-phase	AC200V system AC200 to 230V Single-phase	Serial encoder	Photo relay output	—	—	15A	RS2A01A0KL0	
							30A	RS2A03A0KL0	
							50A	RS2A05A0KL0	
							With	15A	RS2A01A0KA0
								30A	RS2A03A0KA0
								50A	RS2A05A0KA0
					—		With (with delay circuit)	15A	RS2A01A0KL4
								30A	RS2A03A0KL4
								50A	RS2A05A0KL4
					With	15A		RS2A01A0KA4	
						30A		RS2A03A0KA4	
						50A		RS2A05A0KA4	

Features and Functions

Model No. List · Model Number Nomenclature

System Configuration

Standard Specifications

External Wiring Diagram

Encoder Wiring Diagram

Dimensions

Setup Software

Optional Equipment

## Servo Motor Standard Model Number List

### 100V System

Power Voltage	Encoder models	Rated Output	Motor Flange Size	Holding Brake	CE-UL	Model No.
100V	Battery backup method absolute encoder (PA035C)	30W	40mm sq.	yes (DC24V)	—	R2EA04003FCP00
				yes (DC24V)	Standard	R2EA04003FCP00M
				—	—	R2EA04003FXP00
		50W	40mm sq.	—	Standard	R2EA04003FXP00M
				yes (DC24V)	—	R2EA04005FCP00
				yes (DC24V)	Standard	R2EA04005FCP00M
		80W	40mm sq.	—	—	R2EA04005FXP00
				—	Standard	R2EA04005FXP00M
				yes (DC24V)	—	R2EA04008FCP00
		100W	60mm sq.	yes (DC24V)	Standard	R2EA04008FCP00M
				—	—	R2EA04008FXP00
				—	Standard	R2EA04008FXP00M
		200W	60mm sq.	yes (DC24V)	—	R2EA06010FCP00
				yes (DC24V)	Standard	R2EA06010FCP00M
				—	—	R2EA06010FXP00
				—	Standard	R2EA06010FXP00M
				yes (DC24V)	—	R2EA06020FCP00
				yes (DC24V)	Standard	R2EA06020FCP00M
	Absolute encoder for incremental System (PA035S)	30W	40mm sq.	—	—	R2EA04003FCH00
				yes (DC24V)	—	R2EA04003FCH00M
				—	—	R2EA04003FXH00
				—	Standard	R2EA04003FXH00M
				yes (DC24V)	—	R2EA04005FCH00
				yes (DC24V)	Standard	R2EA04005FCH00M
		50W	40mm sq.	—	—	R2EA04005FXH00
				—	Standard	R2EA04005FXH00M
				yes (DC24V)	—	R2EA04008FCH00
				yes (DC24V)	Standard	R2EA04008FCH00M
				—	—	R2EA04008FXH00
				—	Standard	R2EA04008FXH00M
		80W	40mm sq.	yes (DC24V)	—	R2EA06010FCH00
				yes (DC24V)	Standard	R2EA06010FCH00M
				—	—	R2EA06010FXH00
				—	Standard	R2EA06010FXH00M
				yes (DC24V)	—	R2EA06020FCH00
				yes (DC24V)	Standard	R2EA06020FCH00M
100W		60mm sq.	—	—	R2EA06020FXH00	
			—	Standard	R2EA06020FXH00M	
			yes (DC24V)	—	R2EA06020FCH00	
			yes (DC24V)	Standard	R2EA06020FCH00M	
			—	—	R2EA06020FXH00	
			—	Standard	R2EA06020FXH00M	

For specifications on other model, please contact us.

# Servo Amplifier Standard Model Number List

## 100V System

Type	Main Power	Control Power	Encoder Type	Selectable Output	Internal Registration Resistor	Safe Torque Off function	Amplifier Capacity	Model No.		
Analog/Pulse input type	AC100V System AC100 to 115V Single-phase	AC100V System AC100 to 115V Single-phase	Serial encoder	NPN	—	—	15A	RS2E01A0AL0		
							30A	RS2E03A0AL0		
						With	15A	RS2E01A0AL2		
							30A	RS2E03A0AL2		
					With	—	15A	RS2E01A0AA0		
							30A	RS2E03A0AA0		
						With	15A	RS2E01A0AA2		
							30A	RS2E03A0AA2		
				PNP	—	—	15A	RS2E01A0BL0		
							30A	RS2E03A0BL0		
						With	15A	RS2E01A0BL2		
							30A	RS2E03A0BL2		
					With	—	15A	RS2E01A0BA0		
							30A	RS2E03A0BA0		
						With	15A	RS2E01A0BA2		
							30A	RS2E03A0BA2		
EtherCAT interface type	AC100V System AC100 to 115V Single-phase	AC100V System AC100 to 115V Single-phase	Serial encoder	Photo relay output	—	—	15A	RS2E01A0KL0		
							30A	RS2E03A0KL0		
							With	15A	RS2E01A0KA0	
								30A	RS2E03A0KA0	
					—	With	15A	RS2E01A0KL4		
							30A	RS2E03A0KL4		
						With	(with delay circuit)		15A	RS2E01A0KA4
							30A	RS2E03A0KA4		

Features and Functions

Model No. List · Model Number Nomenclature

System Configuration

Standard Specifications

External Wiring Diagram

Encoder Wiring Diagram

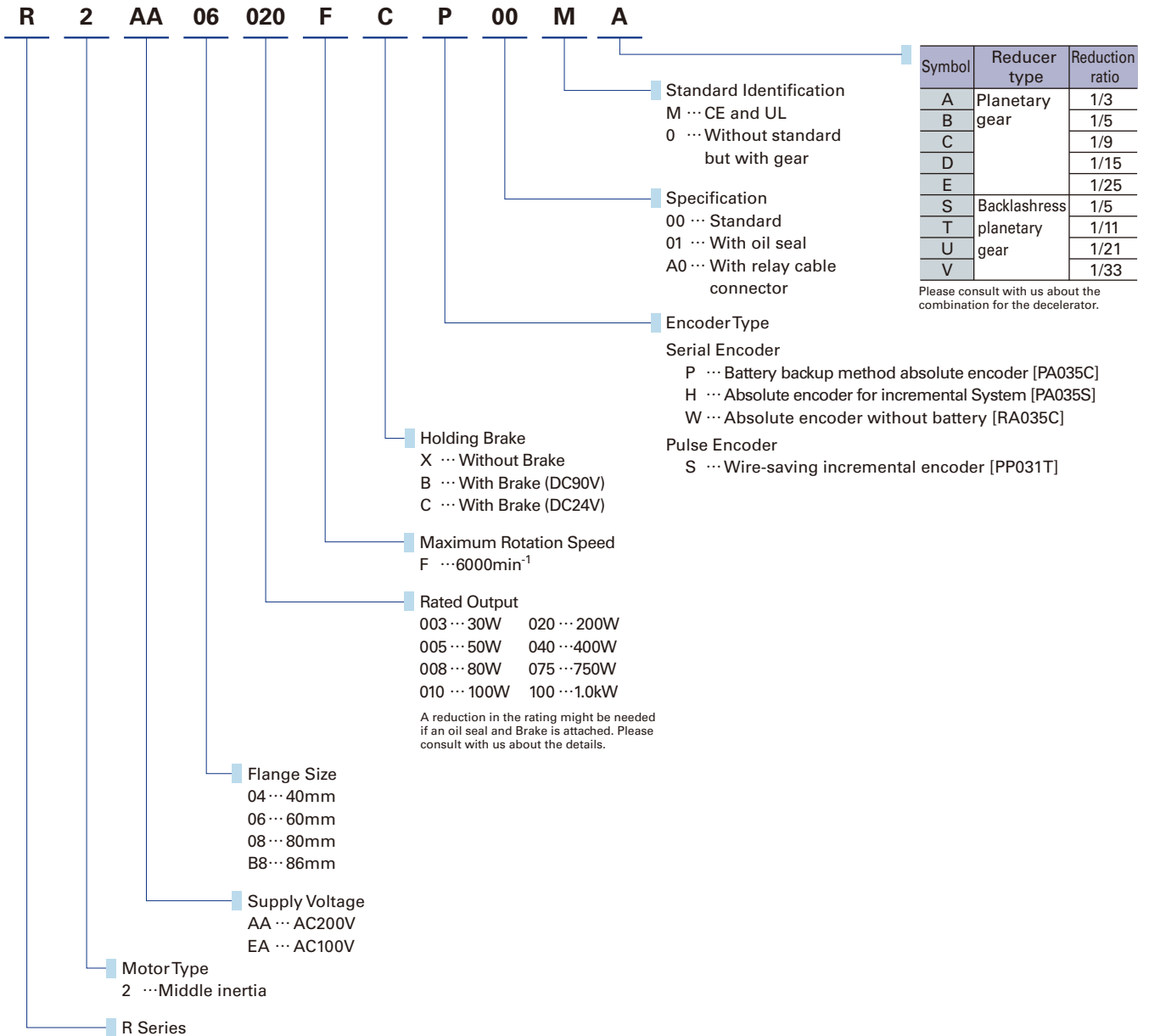
Dimensions

Setup Software

Optional Equipment

## Servo Motor

Example: The following model number defines a "R2" servomotor with 60mm flange size, 200W rated output, 6000min<sup>-1</sup> maximum rotation speed, 24V brake, and an absolute encoder (131,072 divisions/rotation),UL/CE approval and reduction ratio 1/3.(Planetary gear)



### Encoder Specification

#### Serial encoder

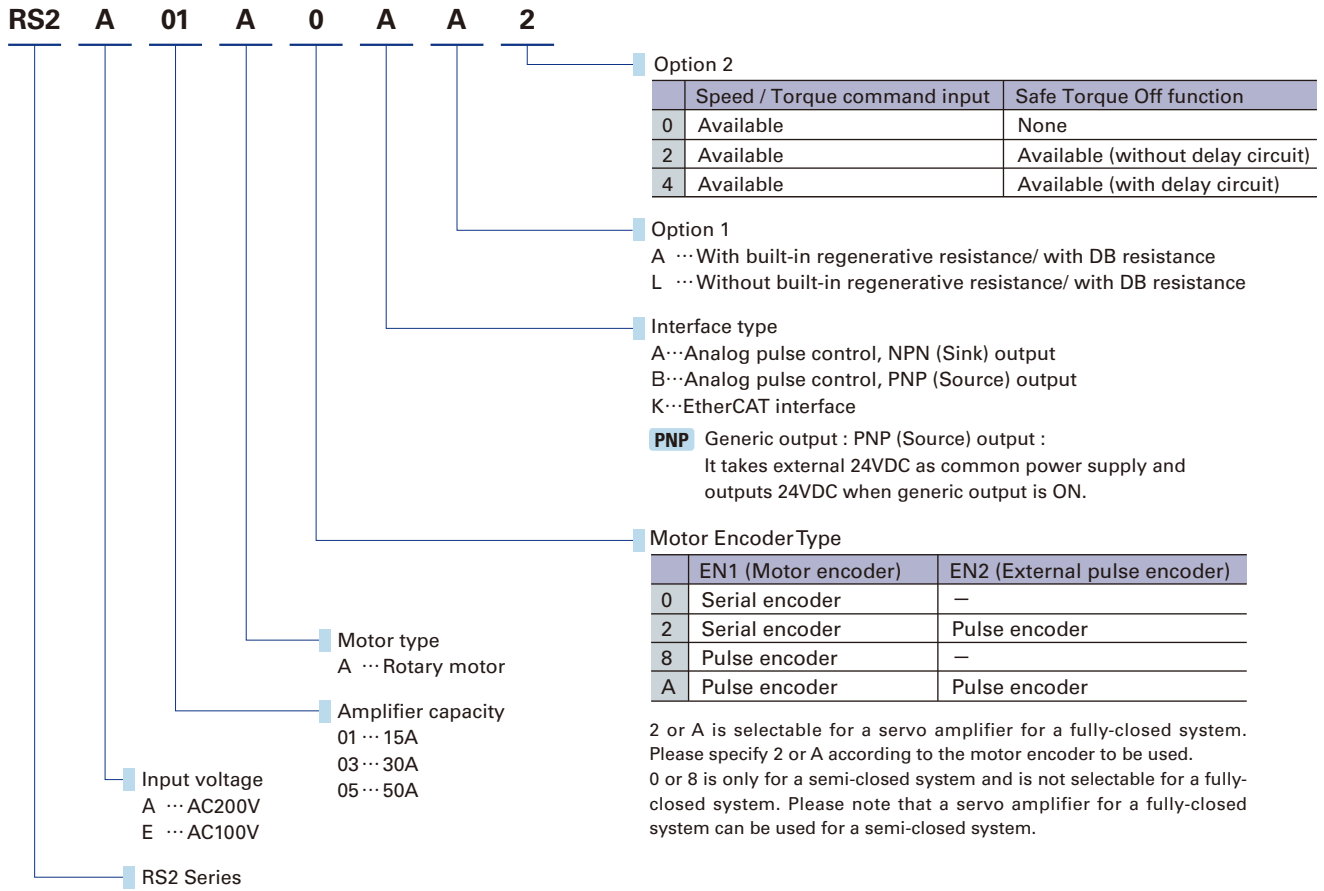
Model	Partition number/rotation	Multiple Rotations	Remarks
PA035C	131072 (17bit)	65536 (16bit)	Battery backup method Absolute encoder
PA035S	131072 (17bit)	—	Absolute encoder for Incremental system
RA035C	131072 (17bit)	65536 (16bit)	Absolute encoder without battery

#### Pulse encoder

Model	Partition number/rotation	Multiple Rotations	Remarks
PP031T	8000 (2000P/R)	—	Wire-saving incremental encoder Maximum 40000 (Partition number/ rotation)

# Servo Amplifier

Example: RS2 Series Servo Amplifier models, Input voltage AC200V, Amplifier capacity 15A, With built-in regenerative resistance/with DB resistance, With safety function.



\* The motor parameters need to be set for the amplifier for use. Use the setup software.

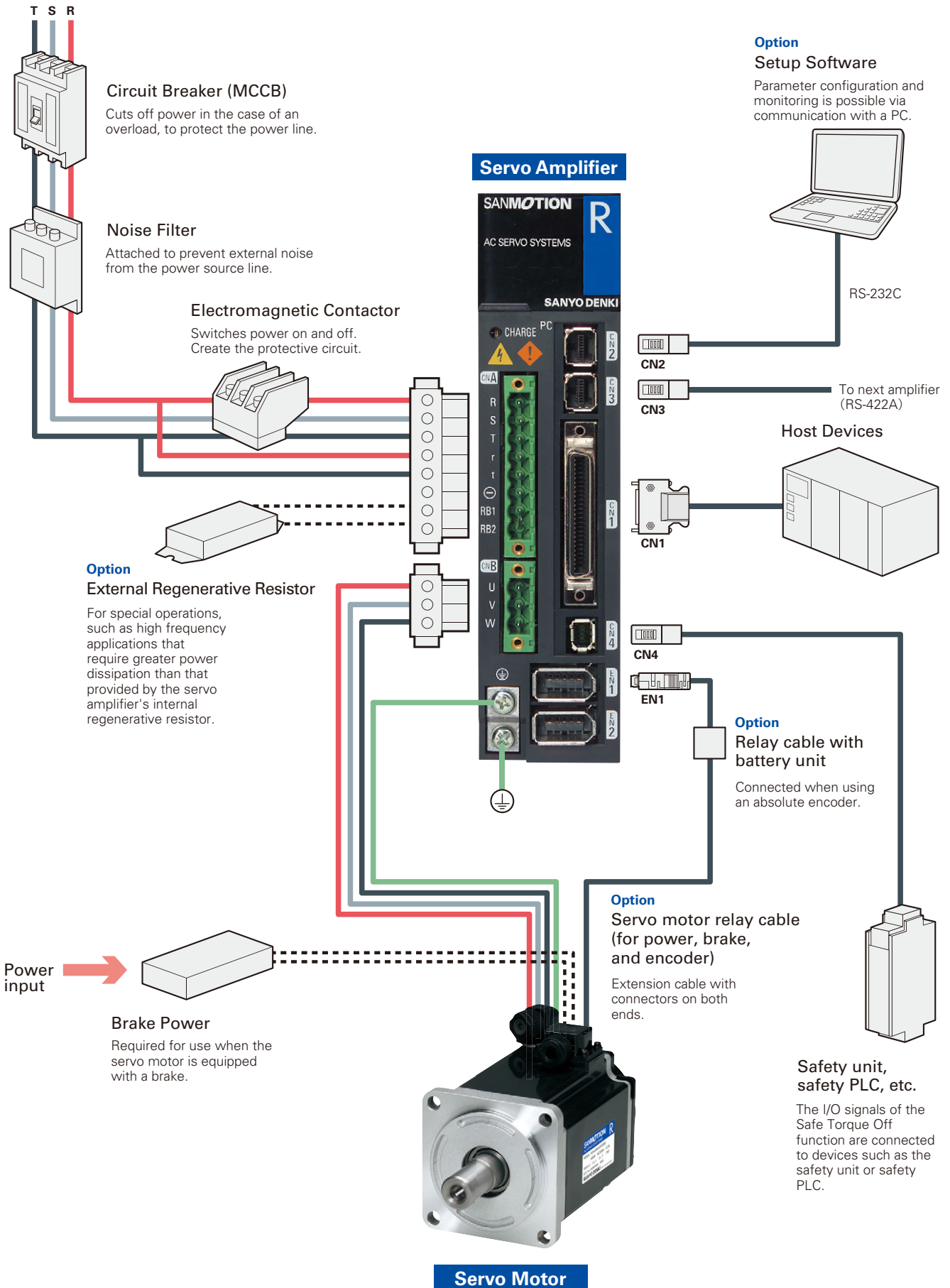
## Conformance to Overseas Standards

Our standard servo amplifier has attained the international standards (UL, c-UL and EN Standards). You can also employ servo motors that have attained the international standards (UL, c-UL and EN Standards).

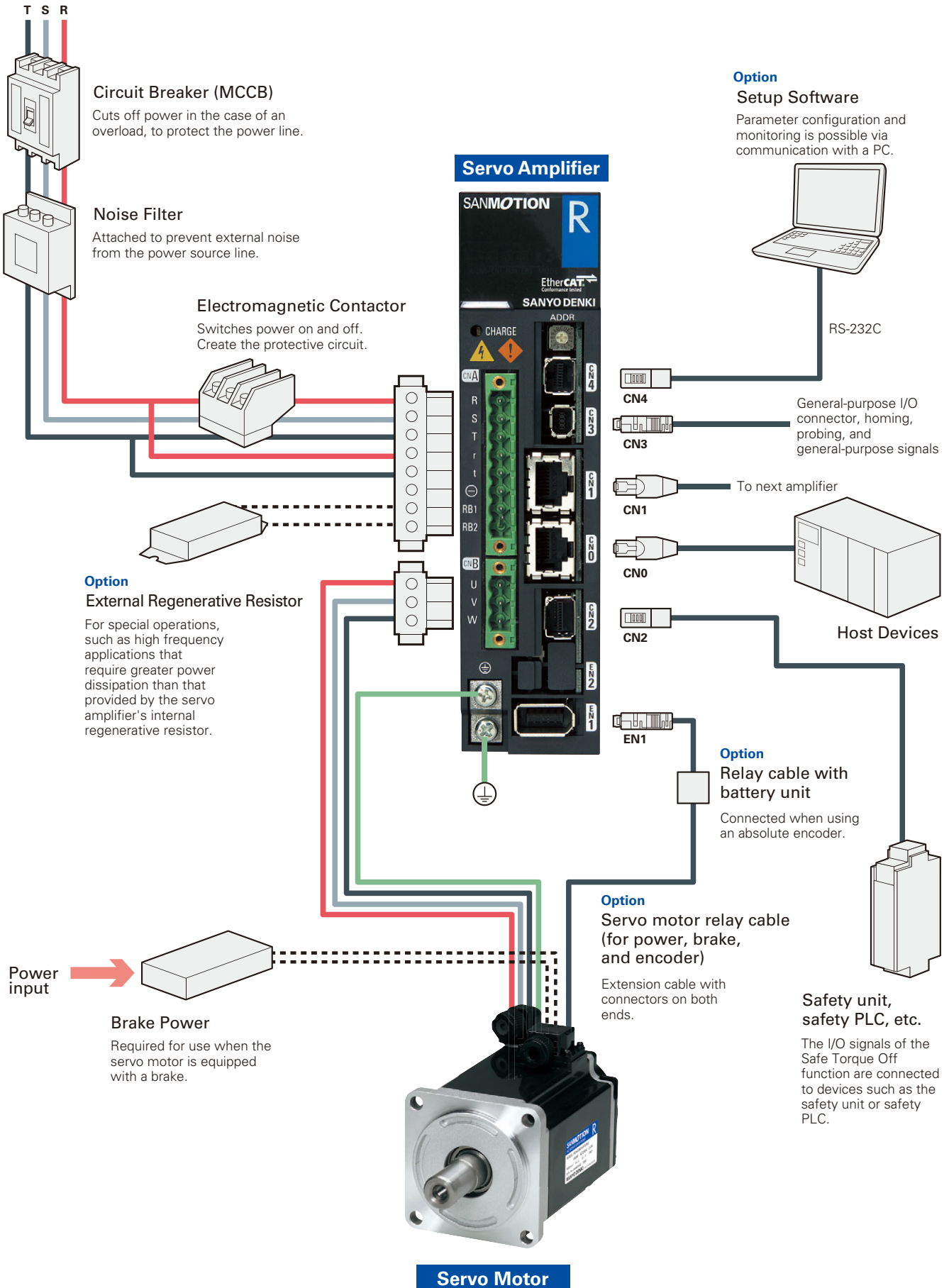


- Features and Functions
- Model No. List · Model Number Nomenclature
- System Configuration
- Standard Specifications
- External Wiring Diagram
- Encoder Wiring Diagram
- Dimensions
- Setup Software
- Optional Equipment

### Analog/Pulse Input Type Servo Amplifier



# EtherCAT interface type servo amplifier



Features and Functions

Model No. List - Model Number Nomenclature

System Configuration

Standard Specifications

External Wiring Diagram

Encoder Wiring Diagram

Dimensions

Setup Software

Optional Equipment

## Servo Amplifier Specifications

Control function	Position control/Speed control/Torque control (Parameter changeover)	
Control system	IGBT : PWM control Sinusoidal drive	
Main Circuit Power <sup>Note1)</sup>	Three-phase : AC200 to 230V+10, -15%, 50/60Hz±3Hz Single-phase : AC200 to 230V+10, -15%, 50/60Hz±3Hz Single-phase : AC100 to 115V+10, -15%, 50/60Hz±3Hz <sup>Note2)</sup>	
Controlling circuit <sup>Note1)</sup>	Single-phase : AC200 to 230V+10, -15%, 50/60Hz±3Hz Single-phase : AC100 to 115V+10, -15%, 50/60Hz±3Hz <sup>Note2)</sup>	
Environment	Ambient temperature	0 to 55°C
	Storage temperature	-20 to +65°C
	Operation/Storage humidity	Below 90%RH (no condensation)
	Elevation	Below 2000m sea level
	Vibration	4.9m/s <sup>2</sup> Frequency range 10 to 55Hz tested for 2H in each direction X.Y.Z
	Shock	19.6m/s <sup>2</sup>
Structure	Built-in tray type power supply	

Note1)

Power source voltage should be within the specified range AC200V

Power input type:

Specified power supply range = AC170V to AC253V

AC100V Power input type:

Specified power supply range = AC85V to AC127V

Note2)

AC100Vsingle-phase input type corresponds only to, RS2-01/RS2-03

### Performance

Speed control range	1:5000 (Internal speed command)
Frequency characteristics	1200Hz (In case of high frequency sampling mode)

### Built-in functions

Protection functions	Over current, Current detection error, Overload, Regeneration error, Amplifier overheating, External overheating, Over voltage, Main circuit power low voltage, Main circuit power supply open phase, Control power supply low voltage, Encoder error, Over speed, Speed control error, Speed feedback error, Excessive position, Position command pulse error, Built-in memory error, Parameter error
LED display	Status display, Monitor display, Alarm display, Parameter setting, Adjustment mode
Dynamic brake circuit	Built-in
Regeneration process circuit	Built-in
Monitor	Speed monitor (VMON) 2.0V±10% (at 1000min <sup>-1</sup> )
	Current monitor (IMO) 2.0V±10% (at 100%)

### Safety standard

Servo amplifier type	Safety standards		
All models	UL ratings	UL508C	
	EN standards	Low-voltage directive	· EN61800-5-1
		EMC directive	· EN55011 G1 ClassA · EN61000-6-2 · EN61800-3
Model with safety function	Function safety standards	· IEC61508, SIL2 · IEC62061, SILCL2	· ISO13849-1, Cat. 3, PL=d · EN954-1, Cat. 3

### EtherCAT interface specifications

Physical layer	IEC61158-2 IEEE802.3u 100BASE-TX
Data link layer	IEC61158-3,-4 Type12
Application layer	IEC61158-5,-6 Type12
Device profile	IEC61800-7 Profile type1(CiA402) · CoE (CANopen over EtherCAT) · FoE (File access over EtherCAT)
Communication port	RJ45 connector (2 ports)
Baud rate	100 Mbps (Full duplex)
Max. No. of nodes	65535 nodes
Transmission distance/topology	Max. 100 m (between nodes)/Daisy-chain
Cable	Twisted-pair CAT5e (straight or cross)
Communication object	SDO (Service Data Object) PDO (Process Data Object)
PDO length	Output : Max.64Byte, Input : Max.64Byte Total: Max. 128 Bytes
Synchronization function	SYNC0 Event Synchronization Mode (DC Mode),Synchronous with SM2 Event Mode, Asynchronous Mode
Operation mode	Profile Position Mode, Profile Velocity Mode, Profile Torque Mode, Homing Mode, Cycle Sync Position Mode, Cycle Sync Velocity Mode, Cycle Sync Torque Mode
LED indicator	Port 0/1 link display, RUN display, error display
General Input/Output	2 inputs, 2 outputs (4 total)



## Specification



Servo Amplifier



R2 Servo Motor

input voltage **AC200V**

Power supply range AC170V to AC253V

Item	Symbol	Unit	Specification		
Servo Amplifier Model			RS2A01* *		
Capacity		A	15		
Rated power supply		kVA	0.2	0.2	0.4
Servo motor model			R2AA04003F	R2AA04005F	R2AA04010F
Flange Size		mm	40	40	40
Rated Output	★ P <sub>R</sub>	kW	0.03	0.05	0.1
Rated Speed	★ N <sub>R</sub>	min <sup>-1</sup>	3000	3000	3000
Maximum Speed	★ N <sub>max</sub>	min <sup>-1</sup>	6000	6000	6000
Rated Torque	★ T <sub>R</sub>	N·m	0.098	0.159	0.318
Continuous Torque at Stall	★ T <sub>S</sub>	N·m	0.108	0.167	0.318
Peak Torque at Stall	★ T <sub>P</sub>	N·m	0.37	0.59	1.18
Rated Armature Current	★ I <sub>R</sub>	Arms	0.51	0.67	0.81
Armature Current at Stall	★ I <sub>S</sub>	Arms	0.56	0.69	0.81
Peak Armature Current at Stall	★ I <sub>P</sub>	Arms	2.15	2.8	3.3
Torque Constant	K <sub>T</sub>	N·m/Arms	0.201	0.246	0.424
Voltage Constant Per Phase	K <sub>Eφ</sub>	mV/min <sup>-1</sup>	7.0	8.6	14.8
Phase Resistance	R <sub>φ</sub>	Ω	12	9	9.3
Rated Power Rate	★ Q <sub>R</sub>	kW/s	3.9	6.7	16
Roter Moment of Inertia (Not including Encoder)	J <sub>M</sub>	×10 <sup>-4</sup> kg·m <sup>2</sup> (GD <sup>2</sup> /4)	0.0247	0.0376	0.0627
Roter Moment of Inertia (Encoder)	J <sub>S</sub>	×10 <sup>-4</sup> kg·m <sup>2</sup> (GD <sup>2</sup> /4)	0.0033 <sup>Note1)</sup>		
Mass <sup>Note1)</sup>	W <sub>E</sub>	kg	0.35	0.39	0.51
Brake Mass	W	kg	0.27	0.27	0.27
Electrical Time Constant	t <sub>e</sub>	ms	0.55	0.67	0.82
Mechanical Time Constant (Not including Encoder)	t <sub>m</sub>	ms	2.2	1.7	0.97
Brake Static Friction Torque	T <sub>B</sub>	N·m	0.32 MIN.		
Brake Rated Voltage	V <sub>B</sub>	V	DC90V / DC24V ± 10%		
Brake Rated Current	I <sub>B</sub>	A	0.07 / 0.27		
Roter Moment of Inertia (Brake)	J <sub>B</sub>	×10 <sup>-4</sup> kg·m <sup>2</sup> (GD <sup>2</sup> /4)	0.0078		

Note 1) This is a instance with the battery-backup method absolute encoder [PA035].

For the following encoders, please make inquiries:

- Absolute encoder without battery [RA035C]
- Red. Wiring Incremental Encoder [PP031T]

Note 2) It is the constant for the installation on the t6x250mm size aluminum board for the heat radiation.

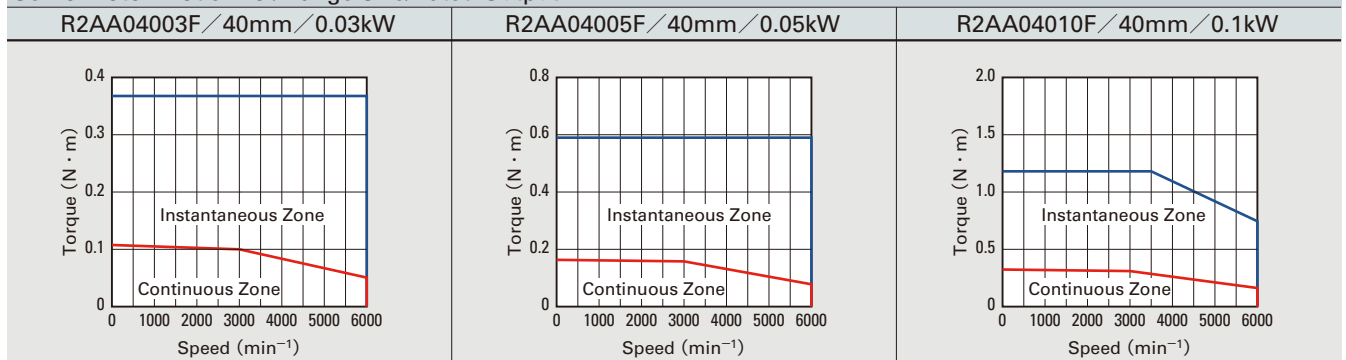
Note 3) Items with ★ and velocity - torque characteristics indicate values after temperature rise saturation. The others indicate values at 20°C.

Note 4) Each value indicates TYP.

\* A reduction in the rating might be needed if an oil seal and Brake is attached. Please consult with us about the details.

## Speed-Torque Characteristics

Servo motor Model No./Flange Size/Rated Output



It is value when the input power supply is AC200V three-phase circuit. The area decreases momentarily when the power supply voltage is less than 200V. Please contact us when the servo amplifier power supply is less than AC200V.

Features and Functions

Model No. List · Model Number Nomenclature

System Configuration

Standard Specifications

External Wiring Diagram

Encoder Wiring Diagram

Dimensions

Setup Software

Optional Equipment

## Specification



Servo Amplifier



R2 Servo Motor

input voltage **AC200V**

Power supply range AC170V to AC253V

Item	Symbol	Unit	Specification			
Servo Amplifier Model			RS2A01 * *			RS2A03 * *
Capacity		A	15			30
Rated power supply		kVA	0.4	0.8	0.8	1.0
Servo motor model			R2AA06010F	R2AA06020F	R2AA08020F	R2AA06040F
Flange Size		mm	60	60	80	60
Rated Output	★ P <sub>R</sub>	kW	0.1	0.2	0.2	0.4
Rated Speed	★ N <sub>R</sub>	min <sup>-1</sup>	3000	3000	3000	3000
Maximum Speed	★ N <sub>max</sub>	min <sup>-1</sup>	6000	6000	6000	6000
Rated Torque	★ T <sub>R</sub>	N·m	0.318	0.637	0.637	1.27
Continuous Torque at Stall	★ T <sub>S</sub>	N·m	0.353	0.686	0.686	1.37
Peak Torque at Stall	★ T <sub>P</sub>	N·m	1.13	2.2	2.2	4.8
Rated Armature Current	★ I <sub>R</sub>	Arms	0.86	1.5	1.5	2.8
Armature Current at Stall	★ I <sub>S</sub>	Arms	0.86	1.6	1.5	2.8
Peak Armature Current at Stall	★ I <sub>P</sub>	Arms	3.5	5.6	4.8	10.8
Torque Constant	K <sub>T</sub>	N·m/Arms	0.375	0.476	0.516	0.524
Voltage Constant Per Phase	K <sub>Eφ</sub>	mV/min <sup>-1</sup>	13.1	16.6	18.0	18.3
Phase Resistance	R <sub>φ</sub>	Ω	4.8	2.7	2.3	1.36
Rated Power Rate	★ Q <sub>R</sub>	kW/s	8.6	19	8	39
Rotor Moment of Inertia (Not including Encoder)	J <sub>M</sub>	×10 <sup>-4</sup> kg·m <sup>2</sup> (GD <sup>2</sup> /4)	0.117	0.219	0.52	0.412
Rotor Moment of Inertia (Encoder)	J <sub>S</sub>	×10 <sup>-4</sup> kg·m <sup>2</sup> (GD <sup>2</sup> /4)	0.0033 Note1)			
Mass Note1)	W <sub>E</sub>	kg	0.71	0.96	1.3	1.4
Brake Mass	W	kg	0.34	0.39	0.89	0.39
Electrical Time Constant	t <sub>e</sub>	ms	2	2.6	2.2	3.2
Mechanical Time Constant (Not including Encoder)	t <sub>m</sub>	ms	1.2	0.78	1.3	0.61
Brake Static Friction Torque	T <sub>B</sub>	N·m	0.36 MIN.	1.37 MIN.	2.55 MIN.	1.37 MIN.
Brake Rated Voltage	V <sub>B</sub>	V	DC90V / DC24V ± 10%			
Brake Rated Current	I <sub>B</sub>	A	0.07 / 0.27	0.11 / 0.32	0.12 / 0.37	0.11 / 0.32
Rotor Moment of Inertia (Brake)	J <sub>B</sub>	×10 <sup>-4</sup> kg·m <sup>2</sup> (GD <sup>2</sup> /4)	0.06	0.06	0.25	0.06

Note 1) This is a instance with the battery-backup method absolute encoder [PA035].

For the following encoders, please make inquiries:

- Absolute encoder without battery [RA035C]
- Red. Wiring Incremental Encoder [PP031T]

Note 2) It is the constant for the installation on the t6x250mm size aluminum board for the heat radiation. Only in the case of the servo motor with model number R2AAB8100F, the constant is for installation on the t12×305mm size aluminum board for heat radiation.

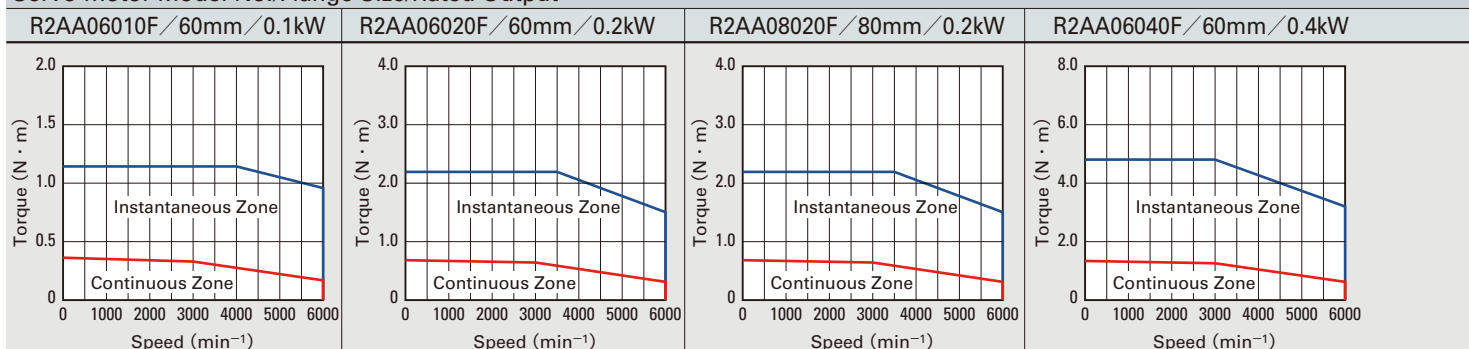
Note 3) Items with ★ and velocity - torque characteristics indicate values after temperature rise saturation. The others indicate values at 20°C.

Note 4) Each value indicates TYP.

\* A reduction in the rating might be needed if an oil seal and Brake is attached. Please consult with us about the details.

## Speed-Torque Characteristics

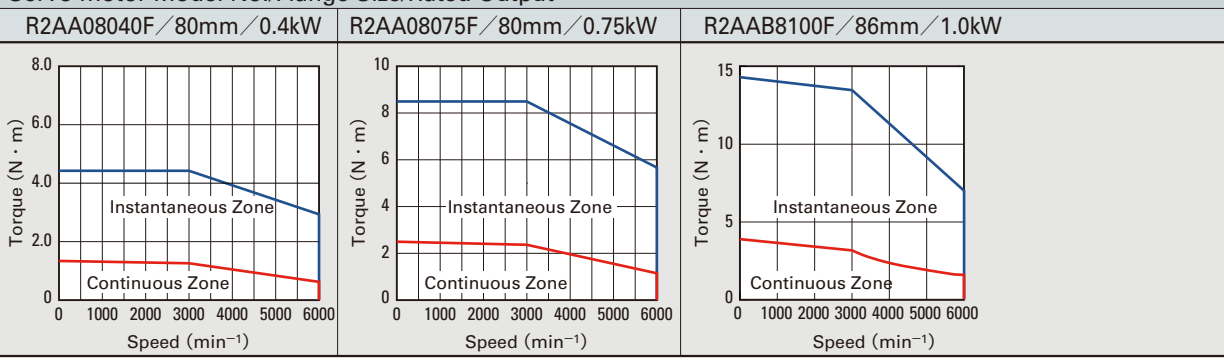
Servo motor Model No./Flange Size/Rated Output



It is value when the input power supply is AC200V three-phase circuit. The area decreases momentarily when the power supply voltage is less than 200V. Please contact us when the servo amplifier power supply is less than AC200V.

			Unit	Symbol	Item
RS2A03**		RS2A05**			Servo Amplifier Model
30		50	A		Capacity
1.0	1.7	2.5	kVA		Rated power supply
R2AA08040F	R2AA08075F	R2AAB8100F			Servo motor model
80	80	86	mm		Flange Size
0.4	0.75	1.0	kW	P <sub>R</sub> ★	Rated Output
3000	3000	3000	min <sup>-1</sup>	N <sub>R</sub> ★	Rated Speed
6000	6000	6000	min <sup>-1</sup>	N <sub>max</sub> ★	Maximum Speed
1.27	2.39	3.18	N·m	T <sub>R</sub> ★	Rated Torque
1.37	2.55	3.92	N·m	T <sub>S</sub> ★	Continuous Torque at Stall
4.4	8.5	14.3	N·m	T <sub>P</sub> ★	Peak Torque at Stall
2.6	4.6	6.0	Arms	I <sub>R</sub> ★	Rated Armature Current
2.6	4.6	6.8	Arms	I <sub>S</sub> ★	Armature Current at Stall
8.9	15.5	25.7	Arms	I <sub>P</sub> ★	Peak Armature Current at Stall
0.559	0.559	0.582	N·m/Arms	K <sub>T</sub>	Torque Constant
19.5	19.5	20.3	mV/min <sup>-1</sup>	K <sub>Eφ</sub>	Voltage Constant Per Phase
0.93	0.4	0.44	Ω	R <sub>φ</sub>	Phase Resistance
16	31	42	kW/s	Q <sub>R</sub> ★	Rated Power Rate
1.04	1.82	2.38	×10 <sup>-4</sup> kg·m <sup>2</sup> (GD <sup>2</sup> /4)	J <sub>M</sub>	Roter Moment of Inertia (Not including Encoder)
0.0033 Note1)			×10 <sup>-4</sup> kg·m <sup>2</sup> (GD <sup>2</sup> /4)	J <sub>S</sub>	Roter Moment of Inertia (Encoder)
1.7	2.7	3.6	kg	WE	Mass Note1)
0.89	0.89	0.84	kg	W	Brake Mass
2.5	3	4.3	ms	te	Electrical Time Constant
0.93	0.7	0.93	ms	tm	Mechanical Time Constant (Not including Encoder)
2.55 MIN.		3.92 MIN.	N·m	TB	Brake Static Friction Torque
DC90V / DC24V ± 10%			V	VB	Brake Rated Voltage
0.12 / 0.37		0.30 / 0.09	A	IB	Brake Rated Current
0.25		0.34	×10 <sup>-4</sup> kg·m <sup>2</sup> (GD <sup>2</sup> /4)	JB	Roter Moment of Inertia (Brake)

Servo motor Model No./Flange Size/Rated Output



## Specification



Servo Amplifier



R2 Servo Motor

input voltage **AC100V**

Power supply range AC85V to AC127V

Item	Symbol	Unit	Specification		
Servo Amplifier Model			RS2E01 * *		
Capacity		A	15		
Rated power supply		kVA	0.2	0.2	0.3
Servo motor model			R2EA04003F	R2EA04005F	R2EA04008F
Flange Size		mm	40	40	40
Rated Output	★ P <sub>R</sub>	kW	0.03	0.05	0.08
Rated Speed	★ N <sub>R</sub>	min <sup>-1</sup>	3000	3000	3000
Maximum Speed	★ N <sub>max</sub>	min <sup>-1</sup>	6000	6000	6000
Rated Torque	★ T <sub>R</sub>	N·m	0.098	0.159	0.255
Continuous Torque at Stall	★ T <sub>S</sub>	N·m	0.108	0.167	0.255
Peak Torque at Stall	★ T <sub>P</sub>	N·m	0.37	0.59	0.86
Rated Armature Current	★ I <sub>R</sub>	Arms	0.94	1.2	1.3
Armature Current at Stall	★ I <sub>S</sub>	Arms	1.0	1.3	1.3
Peak Armature Current at Stall	★ I <sub>P</sub>	Arms	3.7	4.9	4.5
Torque Constant	K <sub>T</sub>	N·m/Arms	0.116	0.142	0.22
Voltage Constant Per Phase	K <sub>Eφ</sub>	mV/min <sup>-1</sup>	4.04	4.97	7.7
Phase Resistance	R <sub>φ</sub>	Ω	4.0	3.0	2.9
Rated Power Rate	★ Q <sub>R</sub>	kW/s	3.9	6.7	10
Roter Moment of Inertia (Not including Encoder)	J <sub>M</sub>	×10 <sup>-4</sup> kg·m <sup>2</sup> (GD <sup>2</sup> /4)	0.0247	0.0376	0.0627
Roter Moment of Inertia (Encoder)	J <sub>S</sub>	×10 <sup>-4</sup> kg·m <sup>2</sup> (GD <sup>2</sup> /4)	0.0033 <sup>Note1)</sup>		
Mass <sup>Note1)</sup>	W <sub>E</sub>	kg	0.35	0.39	0.51
Brake Mass	W	kg	0.27	0.27	0.27
Electrical Time Constant	t <sub>e</sub>	ms	0.55	0.67	0.81
Mechanical Time Constant (Not including Encoder)	t <sub>m</sub>	ms	2.2	1.7	0.98
Brake Static Friction Torque	T <sub>B</sub>	N·m	0.32 MIN.		
Brake Rated Voltage	V <sub>B</sub>	V	DC90V / DC24V ± 10%		
Brake Rated Current	I <sub>B</sub>	A	0.07 / 0.27		
Roter Moment of Inertia (Brake)	J <sub>B</sub>	×10 <sup>-4</sup> kg·m <sup>2</sup> (GD <sup>2</sup> /4)	0.0078		

Note 1) This is a instance with the battery-backup method absolute encoder [PA035].

For the following encoders, please make inquiries:

- Absolute encoder without battery [RA035C]
- Red. Wiring Incremental Encoder [PP031T]

Note 2) It is the constant for the installation on the t6x250mm size aluminum board for the heat radiation.

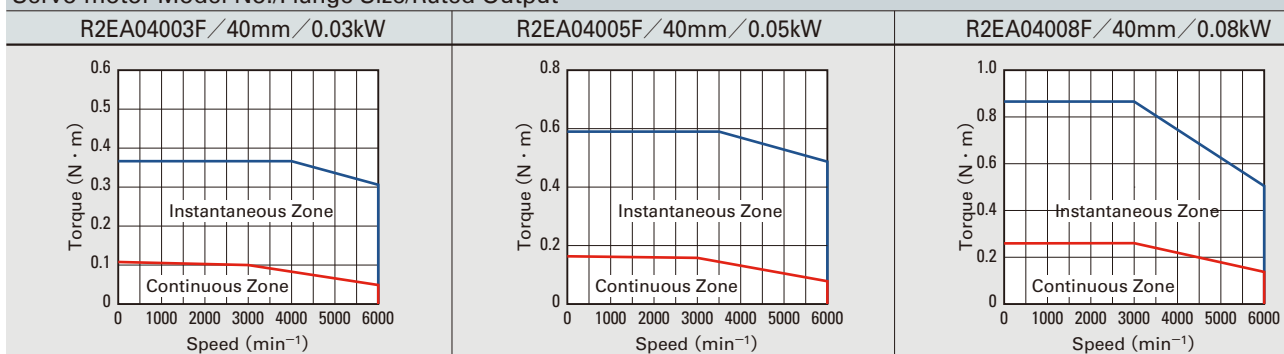
Note 3) Items with ★ and velocity - torque characteristics indicate values after temperature rise saturation. The others indicate values at 20°C.

Note 4) Each value indicates TYP.

\* A reduction in the rating might be needed if an oil seal and Brake is attached. Please consult with us about the details.

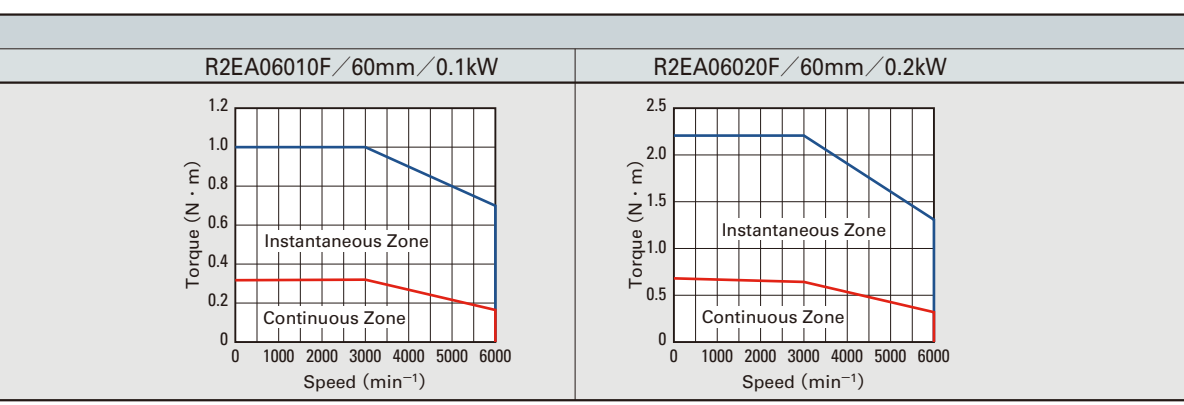
## Speed-Torque Characteristics

Servo motor Model No./Flange Size/Rated Output

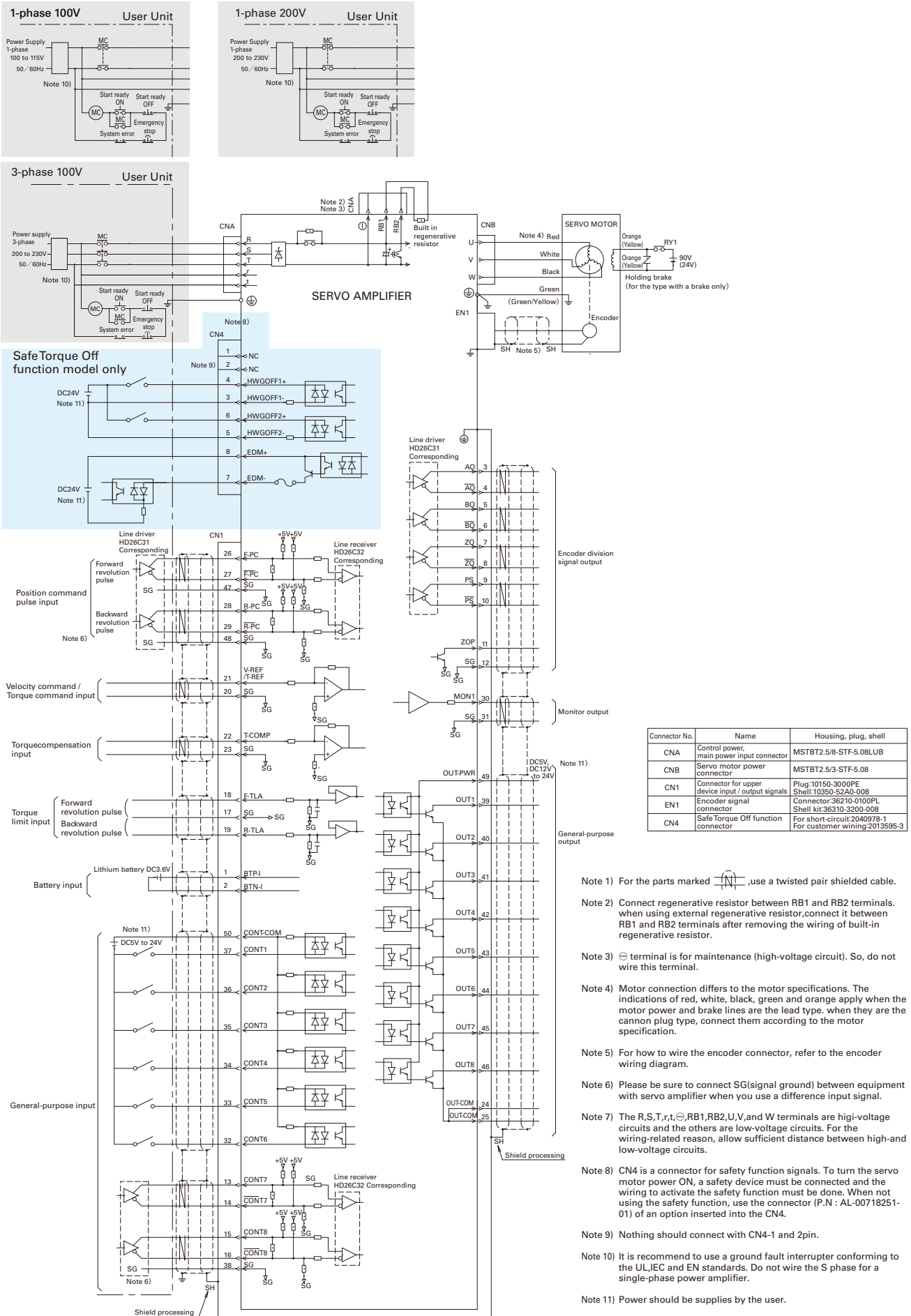


It is value when the input power supply is AC100V. The area decreases momentarily when the power supply voltage is less than 100V.

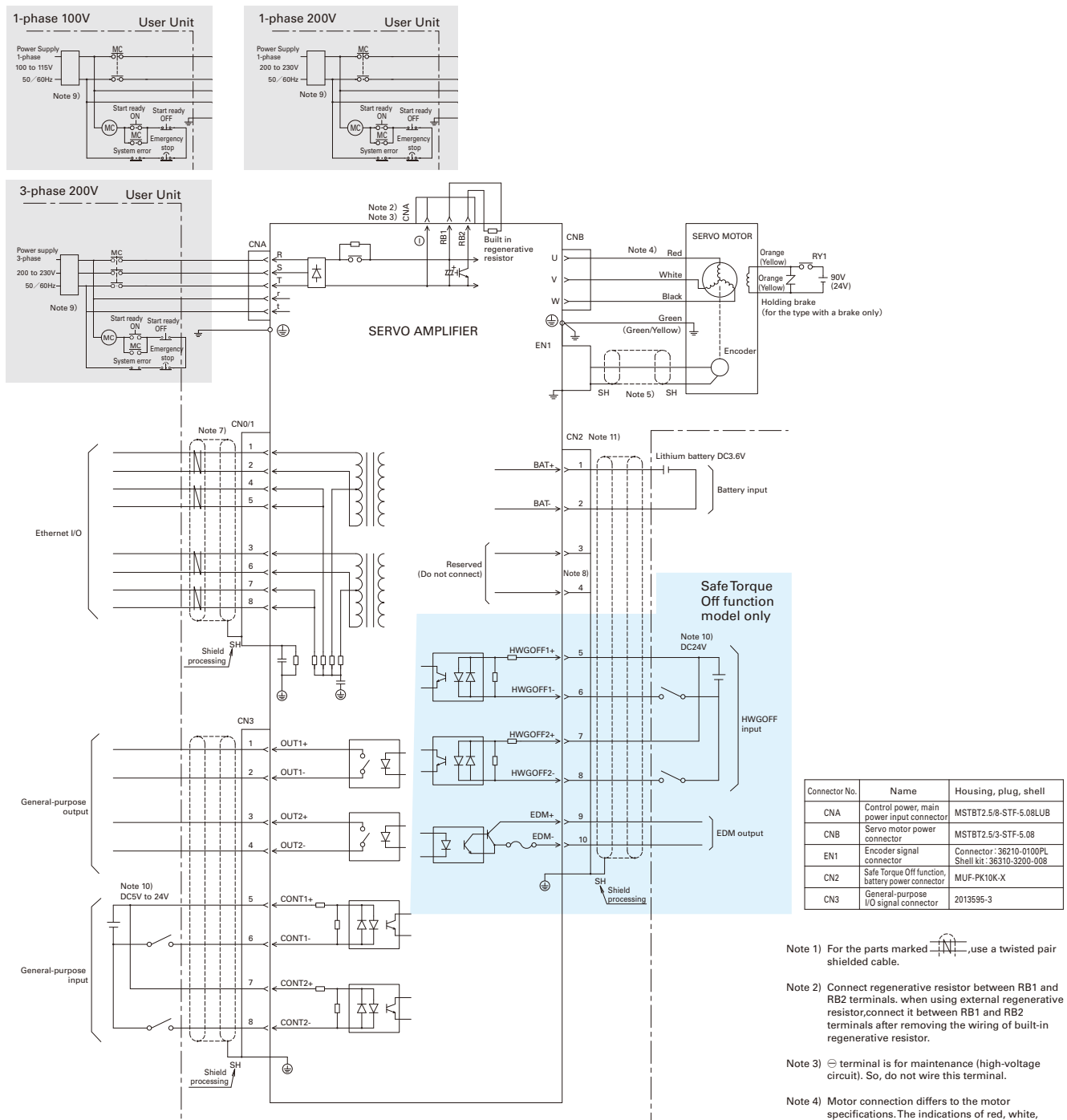
		Item	Symbol	Unit
RS2E01**	RS2E03**			Servo Amplifier Model
15	30	A		Capacity
0.4	0.6	kVA		Rated power supply
R2EA06010F	R2EA06020F			Servo motor model
60	60	mm		Flange Size
0.1	0.2	kW	$P_R$ ★	Rated Output
3000	3000	$\text{min}^{-1}$	$N_R$ ★	Rated Speed
6000	6000	$\text{min}^{-1}$	$N_{\text{max}}$ ★	Maximum Speed
0.318	0.637	$\text{N}\cdot\text{m}$	$T_R$ ★	Rated Torque
0.318	0.686	$\text{N}\cdot\text{m}$	$T_S$ ★	Continuous Torque at Stall
1.0	2.2	$\text{N}\cdot\text{m}$	$T_P$ ★	Peak Torque at Stall
1.7	3.1	Arms	$I_R$ ★	Rated Armature Current
1.7	3.2	Arms	$I_S$ ★	Armature Current at Stall
5.6	11.9	Arms	$I_P$ ★	Peak Armature Current at Stall
0.206	0.224	$\text{N}\cdot\text{m}/\text{Arms}$	$K_T$	Torque Constant
7.2	7.82	$\text{mV}/\text{min}^{-1}$	$K_{E\phi}$	Voltage Constant Per Phase
1.5	0.6	$\Omega$	$R_\phi$	Phase Resistance
8.6	19	$\text{kW}/\text{s}$	$Q_R$ ★	Rated Power Rate
0.117	0.219	$\times 10^{-4}\text{kg}\cdot\text{m}^2(\text{GD}^2/4)$	$J_M$	Roter Moment of Inertia (Not including Encoder)
0.0033 <sup>Note1)</sup>		$\times 10^{-4}\text{kg}\cdot\text{m}^2(\text{GD}^2/4)$	$J_S$	Roter Moment of Inertia (Encoder)
0.71	0.96	kg	WE	Mass <sup>Note1)</sup>
0.34	0.39	kg	W	Brake Mass
1.9	2.6	ms	te	Electrical Time Constant
1.2	0.79	ms	tm	Mechanical Time Constant (Not including Encoder)
0.36 MIN.	1.37 MIN.	$\text{N}\cdot\text{m}$	TB	Brake Static Friction Torque
DC90V / DC24V $\pm$ 10%		V	VB	Brake Rated Voltage
0.07 / 0.27	0.11 / 0.32	A	IB	Brake Rated Current
0.06		$\times 10^{-4}\text{kg}\cdot\text{m}^2(\text{GD}^2/4)$	JB	Roter Moment of Inertia (Brake)




Analog/Pulse input type



# EtherCAT interface type



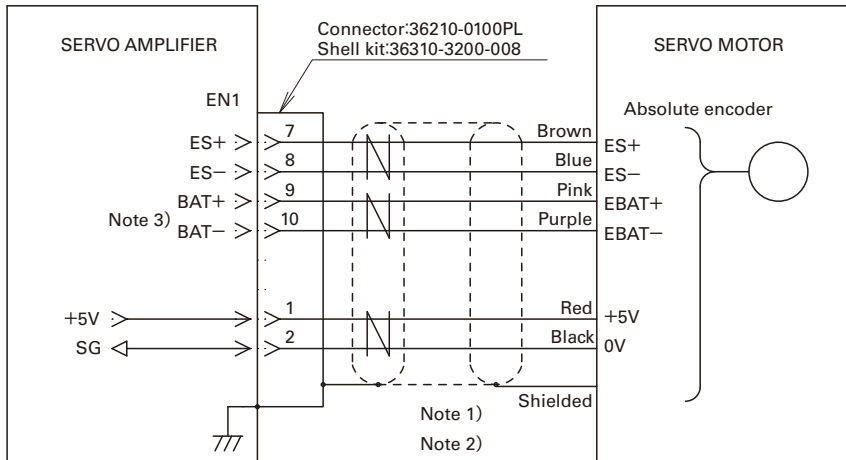
Connector No.	Name	Housing, plug, shell
CNA	Control power, main power input connector	MSTBT2.5/8-STF-5.08LUB
CNB	Servo motor power connector	MSTBT2.5/3-STF-5.08
EN1	Encoder signal connector	Connector: 36210-0100PL Shell kit: 36310-3200-008
CN2	Safe Torque Off function, battery power connector	MUF-PK10K-X
CN3	General-purpose I/O signal connector	2013595-3

- Note 1) For the parts marked , use a twisted pair shielded cable.
- Note 2) Connect regenerative resistor between RB1 and RB2 terminals. When using external regenerative resistor, connect it between RB1 and RB2 terminals after removing the wiring of built-in regenerative resistor.
- Note 3) ⊖ terminal is for maintenance (high-voltage circuit). So, do not wire this terminal.
- Note 4) Motor connection differs to the motor specifications. The indications of red, white, black, green and orange apply when the motor power and brake lines are the lead type, when they are the cannon plug type, connect them according to the motor specification.
- Note 5) For how to wire the encoder connector, refer to the encoder wiring diagram.
- Note 6) R, S, T, r, ⊖, PDL1, DL2, RB1, RB2, U, V, W are high-voltage circuits, all other lines are low-voltage. Ensure sufficient distance between the high- and low-voltage circuits.
- Note 7) Use a TIA category 5e or better shielded twisted pair (STP) cable.
- Note 8) Nothing should connect with CN2-3 and 4pin.
- Note 9) It is recommended to use a ground fault interrupter conforming to the UL/IEC and EN standards. Do not wire the S phase for a single-phase power amplifier.
- Note 10) Power should be supplied by the user.
- Note 11) CN2 is a Safe Torque Off function connector. If it is not connected to the safety device to enable the Safe Torque Off function to work, the servo does not turn on (the motor is not energized).

Features and Functions  
 Model No. List - Model Number Nomenclature  
 System Configuration  
 Standard Specifications  
 External Wiring Diagram  
 Encoder Wiring Diagram  
 Dimensions  
 Setup Software  
 Optional Equipment

## Serial Encoder

- Battery backup type absolute encoder [PA035C]
- Absolute encoder for incremental system [PA035S]
- Batteryless absolute encoder [RA035C]



Note1) Use a twisted-pair shielded cable.

Note2) The maximum cable lengths under the conductor size of the power supply cable (5V,SG).

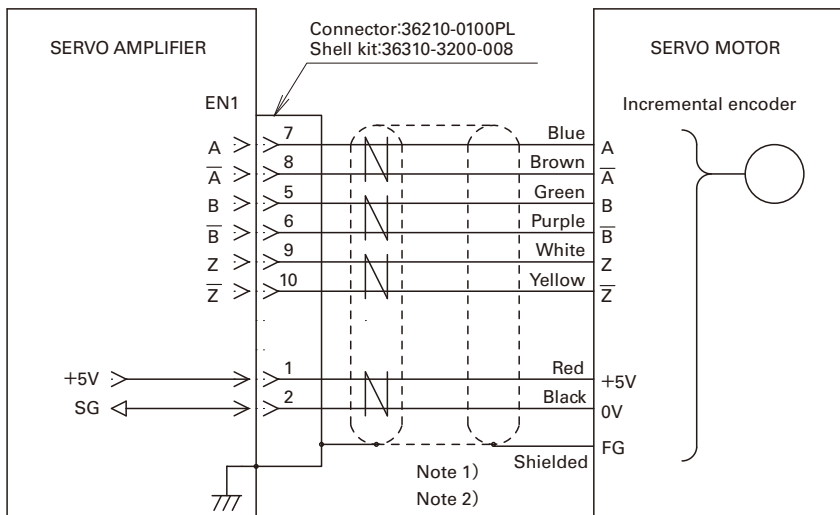
Conductor size		Conductor resistance ( $\Omega$ /km) ※20°C	Length (m)
AWG	SQ (mm <sup>2</sup> )		
26	0.15	150 or less	5
24	0.2	100 or less	10
22	0.3	60 or less	15
20	0.5	40 or less	25
18	0.75	25 or less	40

Conductor resistance is different by conductor specifications.

Note3) When the Absolute encoder for incremental system or absolute encoder without battery is used, battery lines (EBAT+, EBAT-) are not required.

## Pulse Encoder

- Wire-saving incremental encoder [PP031T]



Note1) Use a twisted-pair shielded cable.

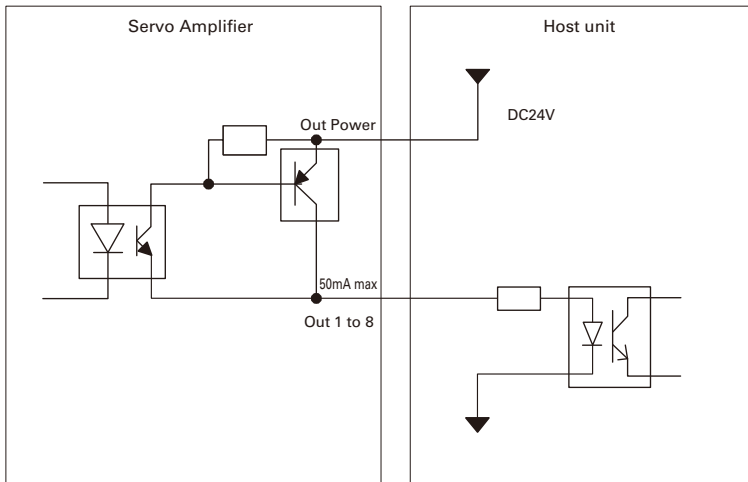
Note2) The maximum cable lengths under the conductor size of the power supply cable (5V,SG).

Conductor size		Conductor resistance ( $\Omega$ /km) ※20°C	Length (m)
AWG	SQ (mm <sup>2</sup> )		
26	0.15	150 or less	5
24	0.2	100 or less	10
22	0.3	60 or less	15
20	0.5	40 or less	25
18	0.75	25 or less	40

Conductor resistance is different by conductor specifications.

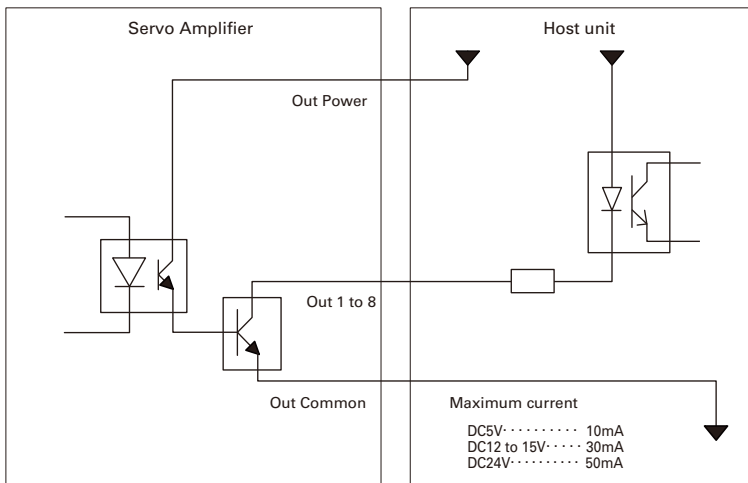


### PNP output



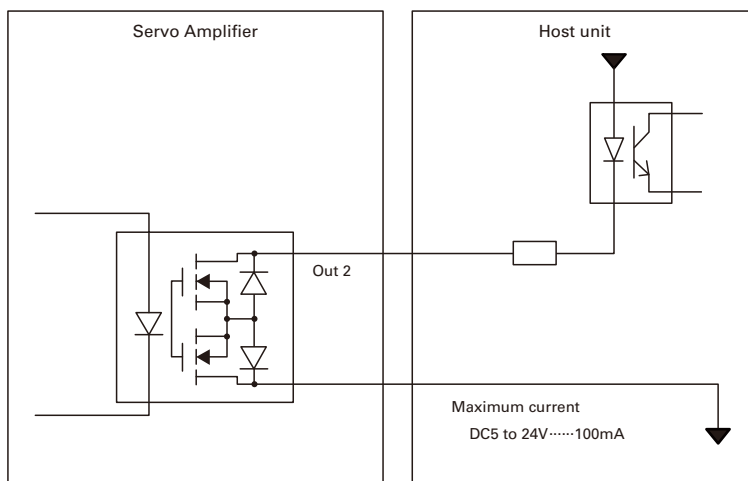
The output port counts are different depending on the specification.

### NPN output



The output port counts are different depending on the specification.

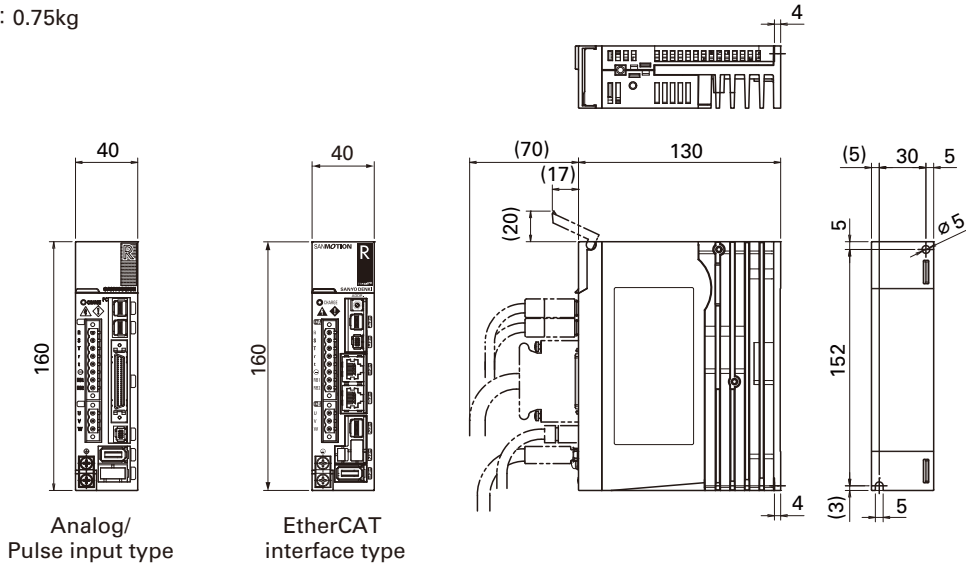
### Photo relay output



## Servo Amplifier Dimensions (Unit : mm)

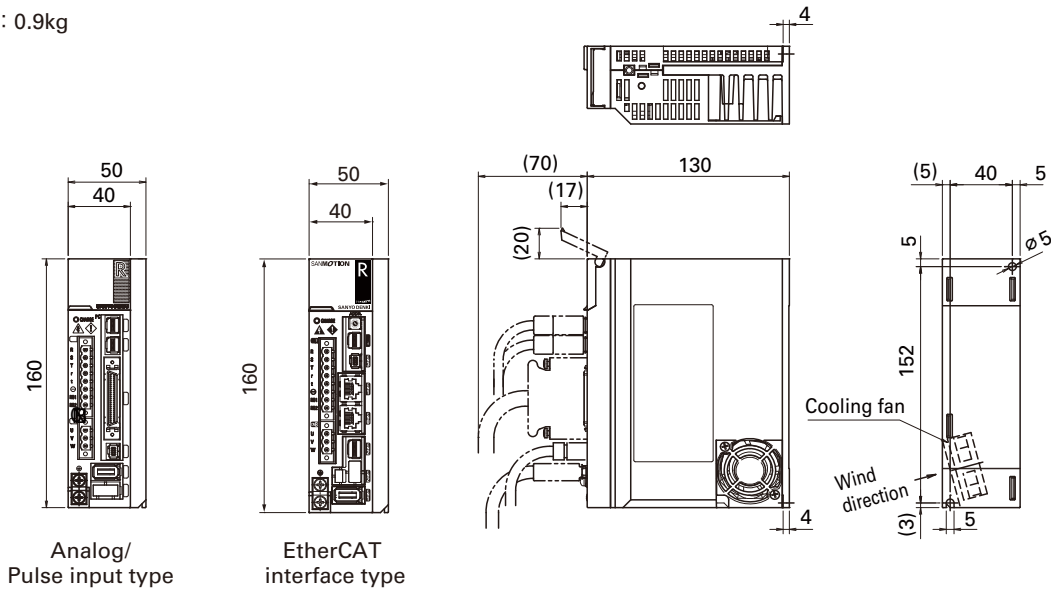
### 15A

Mass : 0.75kg



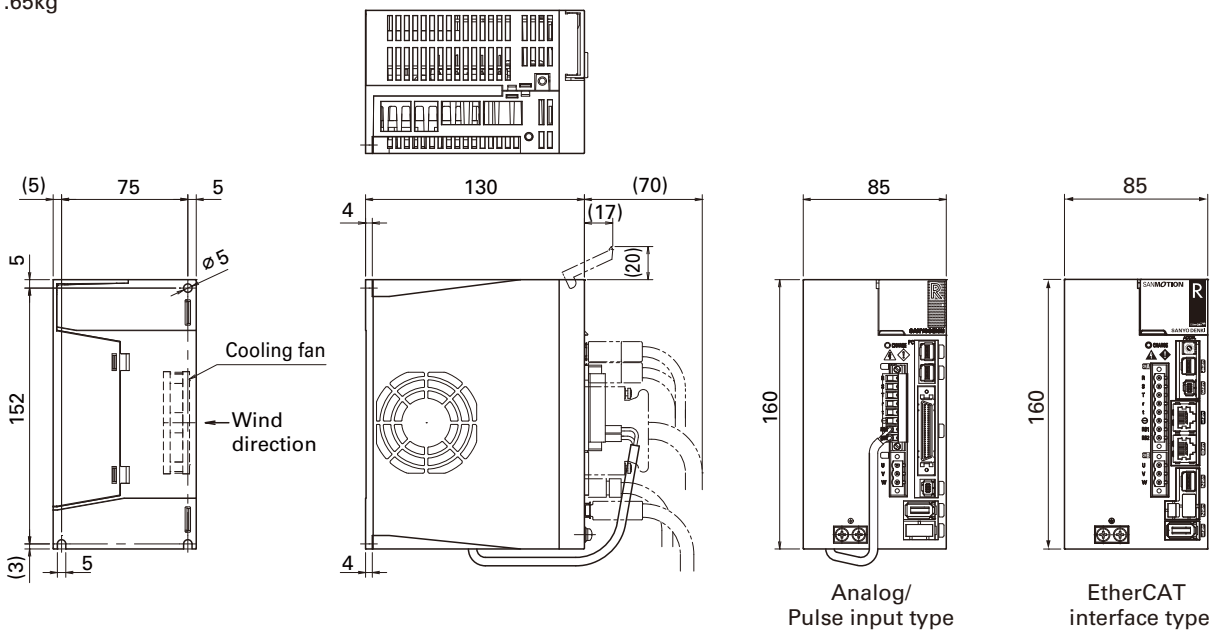
### 30A

Mass : 0.9kg

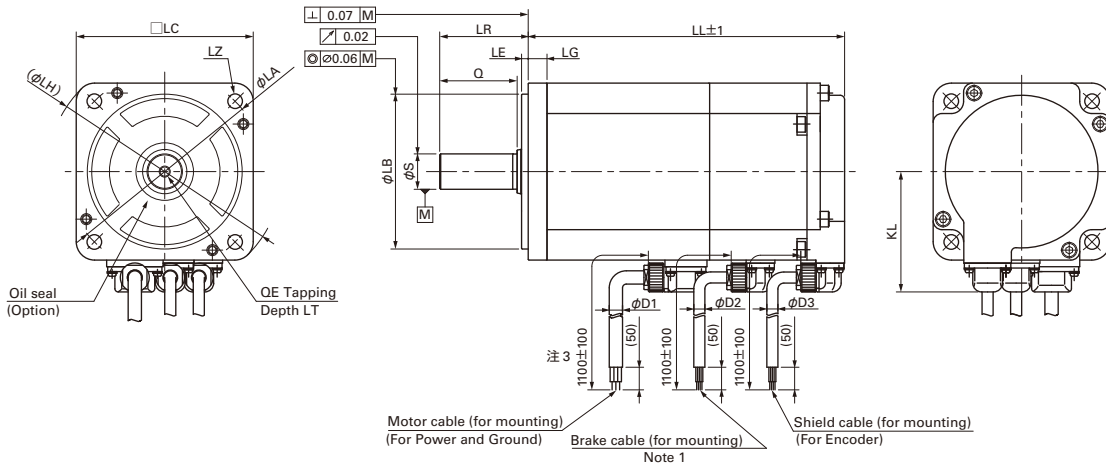


### 50A

Mass : 1.65kg



## Servo Motor Dimensions (Unit : mm)



※ Dimensions with brake but without relay cable connector

## R2 Servo Motor High Efficiency and Low Ripple (Medium Inertia)

MODEL	Battery backup method absolute encoder				LG	KL	LA	LB	LE	LH	LC	LZ	LR
	W/out oil seal		With oil seal Note 1										
	W/out brake	With brake	W/out brake	With brake									
R2□A04003 △□◇	51.5	87.5	56.5	92.5	5	35.4	46	0 30-0.021	2.5	56	40	2- $\phi$ 4.5	25
R2□A04005 △□◇	56.5	92.5	61.5	97.5									
R2EA04008 △□◇	72	108	77	113									
R2AA04010 △□◇					6	44.6	70	0 50-0.025	3	82	60	4- $\phi$ 5.5	25
R2□A06010 △□◇	58.5	82.5	65.5	89.5									
R2□A06020 △□◇	69.5	97.5	76.5	104.5									
R2AA08020 △□◇	66.3	102	73.3	109	8	54.4	90	0 70-0.030	3	108	80	4- $\phi$ 6.6	30
R2AA06040 △□◇	95.5	123.5	102.5	130.5									
R2AA06040 △□◇	95.5	123.5	102.5	130.5									
R2AA08040 △□◇	78.3	114	85.3	121	8	54.4	90	0 70-0.030	3	108	80	4- $\phi$ 6.6	40
R2AA08075 △□◇	107.3	143	114.3	150									
R2AA08075 △□◇	107.3	143	114.3	150									
R2AAB8100 △□◇	137	163	137	163	8	59.4	100	0 80-0.030	3	115.5	86	4- $\phi$ 6.6	35

MODEL	S	Q	QE	LT	D1	D2	D3
R2□A04003 △□◇	0 6-0.008	20	—	—	6	5	5
R2□A04005 △□◇	0 8-0.009						
R2EA04008 △□◇	0 8-0.009						
R2AA04010 △□◇		25	M5	12	6	5	5
R2□A06010 △□◇	0 8-0.009						
R2□A06020 △□◇	0 14-0.011						
R2AA08020 △□◇		35	M5	12	6	5	5
R2AA06040 △□◇	0 14-0.011						
R2AA08040 △□◇	0 16-0.011						
R2AA08075 △□◇	0 16-0.011	30	M5	12	6	5	5
R2AAB8100 △□◇	0 16-0.011						

Note 1: The total length of the motor varies when an oil seal is necessary. (Excluding 86mm sq.)

Note 2: Brake connectors (cables) are not supplied for models without brakes.

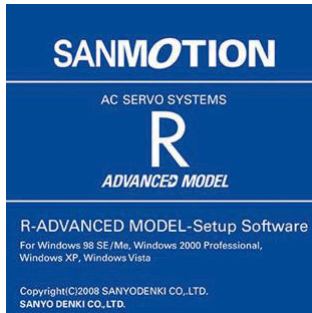
Note 3: The cable length of the motor with relay cable connector is 200±30mm. The connector is attached to the end of the cable.

For the following encoders, please make inquiries:

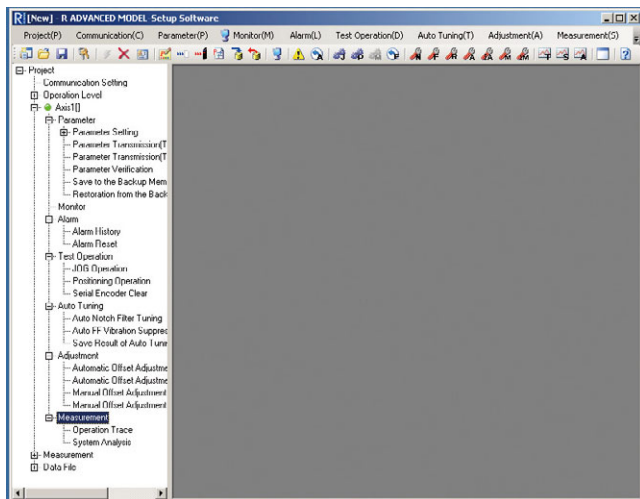
- Absolute encoder without battery [RA035C]
- Red. Wiring Incremental Encoder [PP031T]

## Setup Software

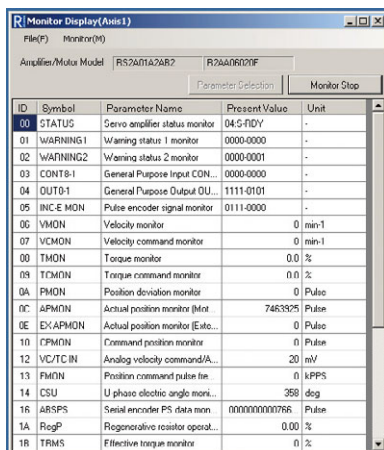
This software allows you to set servo system parameters from a PC. It also allows you easily to start up or test run the servo system. The software can be downloaded from Production Information on our website. URL : <http://www.sanyodenki.co.jp>



### Start-up Screen



### Main Screen



### Monitor Display

Observe Operation and Input/Output signal status

### Setup Software Title :

R-ADVANCED MODEL-Setup Software

### Main Functions

Servo amplifier parameter setting

Servo amplifier status display

Alarm display and reset

Test run execution

Auto-tuning of vibration control frequency, etc.

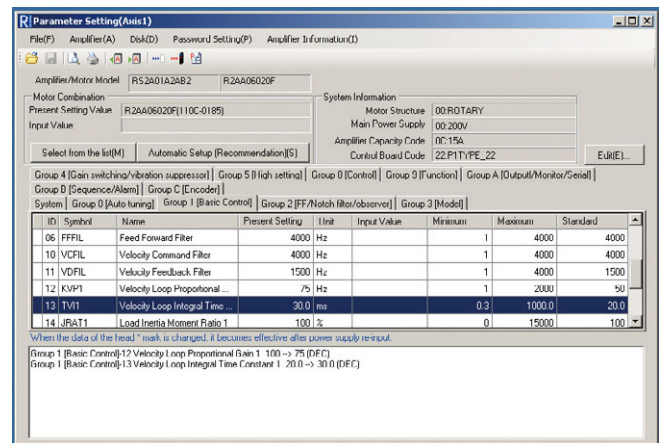
Analog command offset adjustment

\*Use the optional PC connection cable (model number: AL-00689703-01) to connect the servo amplifier and the RS-232C port on the PC.

### Supported OS

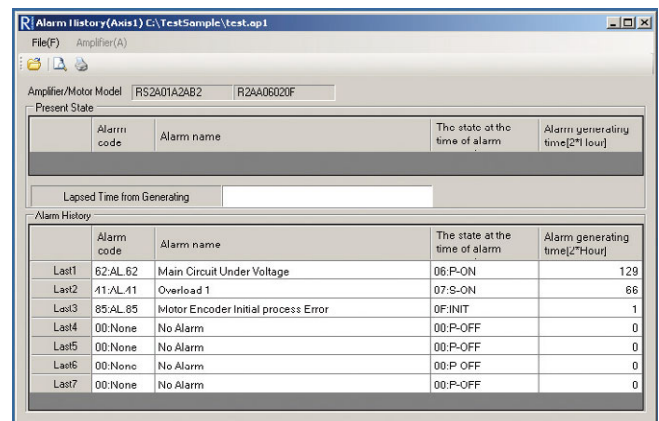
Windows 98/SE/Me/2000/XP/Vista

\*See our website for details of supported versions.



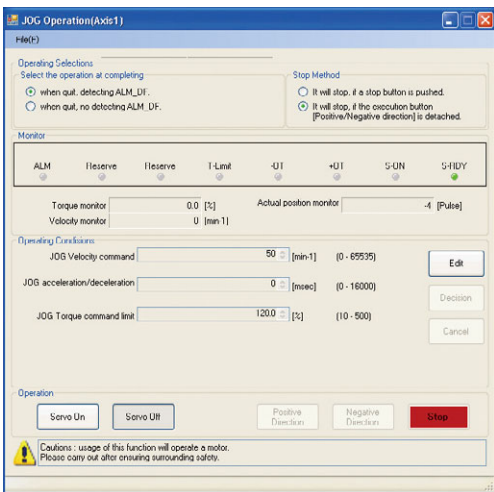
### Configuration parameters

Enables parameter loading, saving, etc., via PC connection

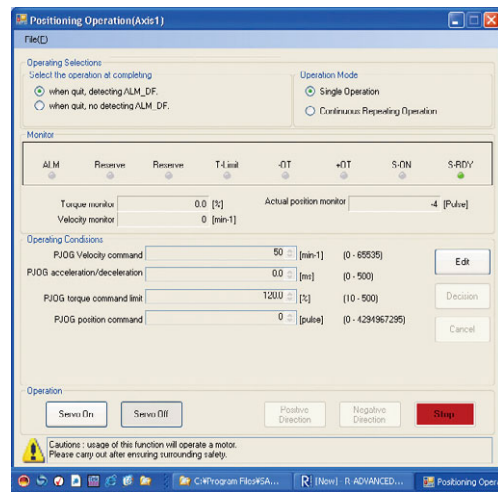


### Alarm Record Display

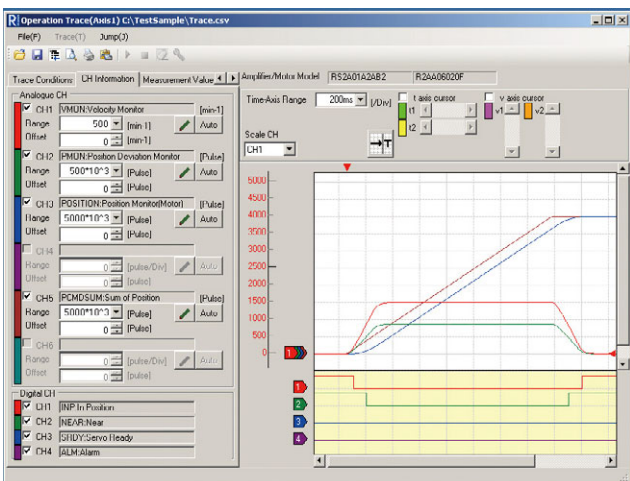
Current and past alarm occurrence can be checked.



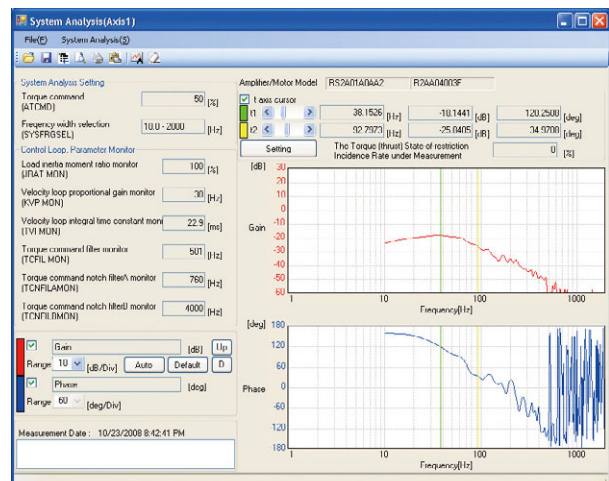
**JOG Operation**  
Simplifies motor operation and the issuing of speed commands from a PC



**Positioning Control Operation**  
The position can be moved by setting the feed velocity and the pulse number of the servo motor.



**Operation Trace**  
Graphically displays servo motor speed, current, and internal status



**System Analysis**  
Analyzes servo system frequency characteristics

## Connectors for Servo Amplifier Analog/Pulse input type

### Single Connectors

Connector number	Intended use	Model number	Manufacturer model number	Manufacturer
CN1	To connect host equipment	AL-00385594	10150-3000PE 10350-52A0-008	Sumitomo 3M Limited
EN1, EN2	To connect encoder	AL-00632607	36210-0100PL 36310-3200-008	
CNA	For input power supply, regenerative resistor connection	AL-00686902-01	MSTBT2.5/8-STF-5.08LUB	Phoenix Contact.K.K
CNB	For servo motor connection	AL-Y0004079-01	MSTBT2.5/3-STF-5.08	
CN4 <sup>Note 1)</sup>	To connect safety device (For short-circuiting)	AL-00718251-01	2040978-1	Tyco Electronics Japan G.K.
CN4	To connect safety device (For wiring)	AL-00718252-01	2013595-3	

Note1) When wiring for CN4 is not performed, make sure to insert safety device connector (for short-circuiting) to CN4 on servo amplifier.

### Connector sets (No safe-torque-off function)

Connector number	Intended use	Model number	Applicable servo amplifier model number	Remarks
CN1,EN1,CNA,CNB	Standard	AL-00723282	RS2***A0*L0/RS2***A8*L0	Without regenerative resistance
CN1,EN1,CNB		AL-00723284	RS2***A0*A0/RS2***A8*A0	With regenerative resistance
CN1,EN1,EN2,CNA,CNB	For fully closed control system	AL-00723286	RS2***A2*L0/RS2***AA*L0	Without regenerative resistance
CN1,EN1,EN2,CNB		AL-00723288	RS2***A2*A0/RS2***AA*A0	With regenerative resistance
CN1,EN1	A set for low-voltage	AL-00723290	RS2***A0**0/RS2***A8**0	—
CNA,CNB	A set for high-voltage	AL-00696037	RS2***A**L0	Without regenerative resistance

### Connector sets (With safe-torque-off function)

Connector number	Intended use	Model number	Applicable servo amplifier model number	Remarks
CN1,EN1,CNA,CNB,CN4	Standard	AL-00723155	RS2***A0*L2/RS2***A8*L2	Without regenerative resistance
CN1,EN1,CNB,CN4		AL-00723156	RS2***A0*A2/RS2***A8*A2	With regenerative resistance
CN1,EN1,EN2,CNA,CNB,CN4	For fully closed control system	AL-00723157	RS2***A2*L2/RS2***AA*L2	Without regenerative resistance
CN1,EN1,EN2,CNB,CN4		AL-00723158	RS2***A2*A2/RS2***AA*A2	With regenerative resistance
CN1,EN1,CN4	A set for low-voltage	AL-00723159	RS2***A0**2/RS2***A8**2	—

✓ CN4 of the connector set is for safety device connection (wiring) with model number AL-00718252-01.

## Connector for Servo Amplifier EtherCAT interface type

### Single Connectors

Connector number	Intended use	Model number	Manufacturer model number	Manufacturer
CN0,CN1	Ethernet For host unit connection	Not provided by our company. Please use shielded type modular plug (RJ-45) corresponding to the CAT5e standard.		
EN1,EN2	For encoder connection	AL-00632607	36210-0100PL 36310-3200-008	Sumitomo 3M Limited
CNA	For input power supply, regenerative resistor connection	AL-00686902-01	MSTBT2.5/8-STF-5.08LUB	Phoenix Contact.K.K
CNB	For servo motor connection	AL-Y0004079-01	MSTBT2.5/3-STF-5.08	Phoenix Contact.K.K
CN2	For safety device connection	AL-Y0004290-02	MUF-PK10K-X	J.S.T Mfg Co.,Ltd.
CN3	For general I/O	AL-00718252-01	2013595-3	Tyco Electronics Japan G.K.

### Connector sets

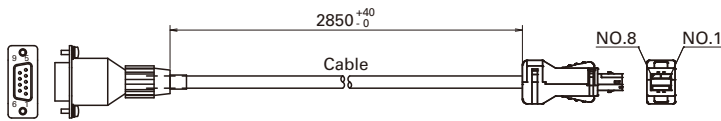
Connector number	Intended use	Model number	Applicable servo amplifier model number	Remarks
CNA,CNB,EN1,CN2,CN3	Standard	AL-00734194	RS2***A0KL*/RS2***A8KL*	Without regenerative resistance
CNB,EN1,CN2,CN3		AL-00734196	RS2***A0KA*/RS2***A8KA*	With regenerative resistance
CNA,CNB,EN1,EN2,CN2,CN3	For fully closed control system	AL-00734195	RS2***A2KL*/RS2***AAKL*	Without regenerative resistance
CNB,EN1,EN2,CN2,CN3		AL-00734197	RS2***A2KA*/RS2***AAKA*	With regenerative resistance

## Setup software, Serial Communication Relation

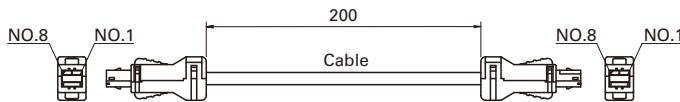
Connector No.	Item	Our model
1) Cable for personal computer communications	Between personal computer and servo amplifier Analog / Pulse input type : CN2 EtherCAT interface type : CN4	AL-00689703-01
2) Amplifier communication cable (0.2m) <sup>Note 1)</sup>	Servo Amplifier (CN2) ⇔ Servo Amplifier (CN3)	AL-00695974-01
3) Amplifier communication cable (3.0m) <sup>Note 1)</sup>		AL-00695974-02
4) Communication converter <sup>Note 1)</sup>	RS232C ⇔ RS-422	SAU-024-01
5) Connector with terminating resistor <sup>Note 1)</sup>	RS-422 Terminating resistor for communication	AL-00695977-01

Dimensions (Unit : mm)

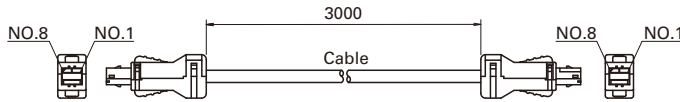
- 1) Cable for personal computer communications (Model No. : AL-00689703-01)



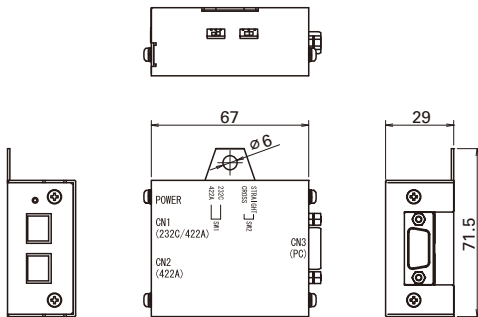
- 2) Amplifier communication cable (0.2m) (Model No. : AL-00695974-01)<sup>Note 1)</sup>



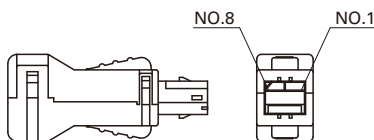
- 3) Amplifier communication cable (3.0m) (Model No. : AL-00695974-02)<sup>Note 1)</sup>



- 4) Communication converter (Model No. : SAU-024-01)<sup>Note 1)</sup>



- 5) Connector with terminating resistor (Model No. : AL-00695977-01)<sup>Note 1)</sup>



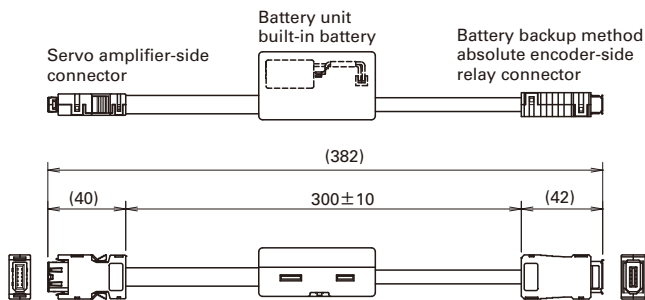
Note 1) Optional connector dedicated for analog/pulse input type.

### Battery for Battery Backup Method Absolute Encoder Relation

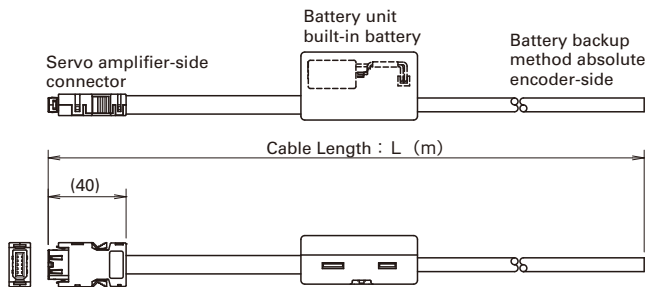
Name	Item	Our model No.
1) Encoder relay cable with battery unit, with connectors on both ends	—	AL-00731792-01
2) Encoder relay cable with battery unit, with connectors on one ends	—	AL-00697960-□□
3) Replacement batteries	Lithium battery : ER3VLY Toshiba Consumer Marketing Ltd.	AL-00697958-01

Dimensions (Unit : mm)

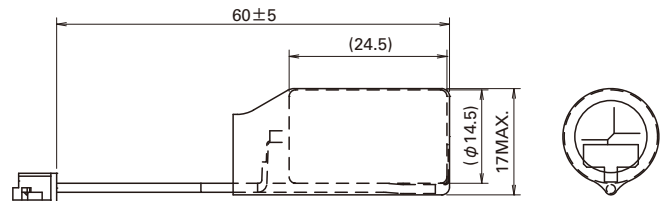
1) Encoder relay cable with battery unit, with connectors on both ends (Model No. : AL-00731792-01)



2) Encoder relay cable with battery unit, with connectors on one ends (Model No. : AL-00697960-□□)



3) Replacement batteries (Model No. : AL-00697958-01)



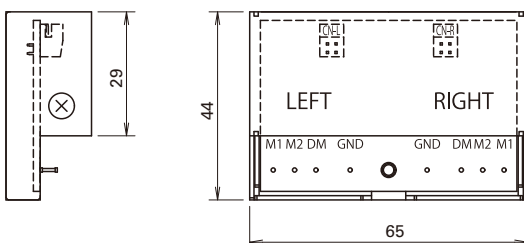
	Model No.	L [m]
1	AL-00697960-01	3
2	AL-00697960-02	5
3	AL-00697960-03	10
4	AL-00697960-04	15
5	AL-00697960-05	20
6	AL-00697960-06	25

### Analog Monitor Relation

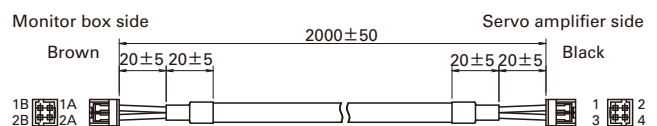
Name	Item	Our model No.
1) Monitor Box	Monitor box body 2 dedicated cables	Q-MON-3
2) Dedicated cable	2 dedicated cables	AL-00690525-01

Dimensions (Unit : mm)

1) Dedicated Cable (Model No. : Q-MON-3)



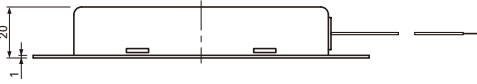
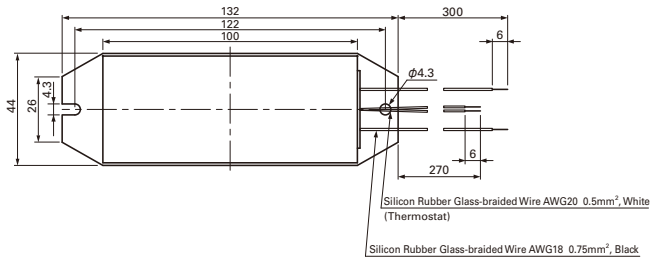
2) Monitor Box (Model No. : AL-00690525-01)



Note1) 2 units of the dedicated cables per above 2) (PN# AL-00690525-01) are attached to Monitor Box (PN#Q-MON-3).

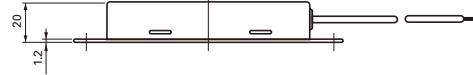
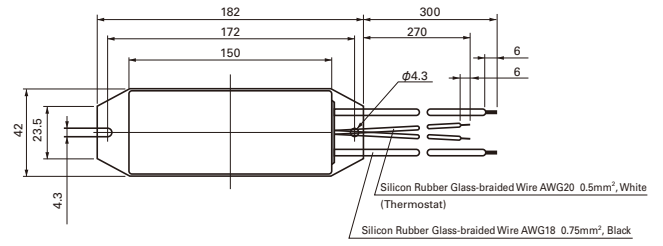


## External Regenerative Resistor Dimensions (Unit: mm)



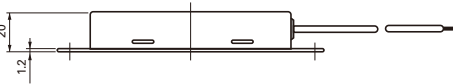
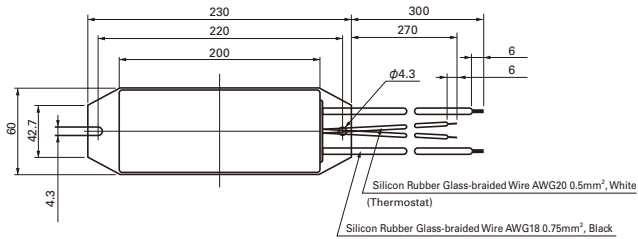
Mass : 0.19kg

	Model No.	Thermostat
1	REGIST-080W100B	Normal close
2	REGIST-080W50B	Normal close



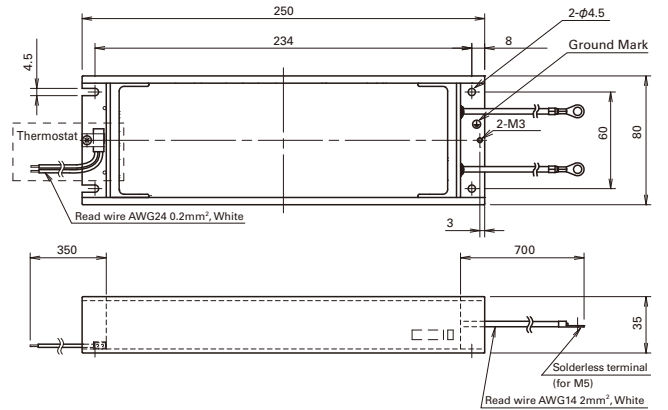
Mass : 0.24kg

	Model No.	Thermostat
1	REGIST-120W100B	Normal close
2	REGIST-120W50B	Normal close



Mass : 0.44kg

	Model No.	Thermostat
1	REGIST-220W20B	Normal close
2	REGIST-220W50B	Normal close
3	REGIST-220W100B	Normal close

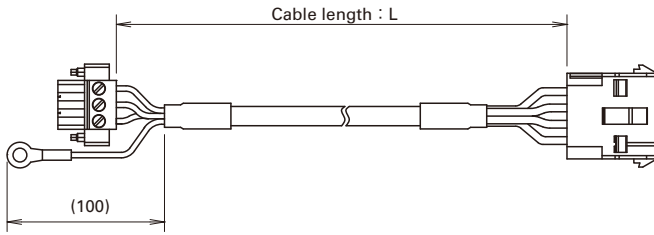


Mass : 1.5kg

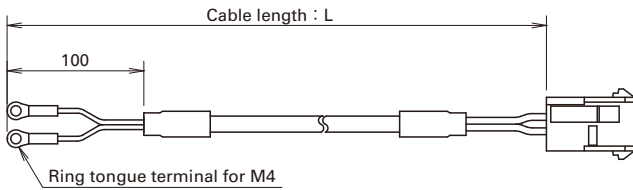
	Model No.	Thermostat
1	REGIST-500CW20B	Normal close
2	REGIST-500CW10B	Normal close

### Servo motor relay cable

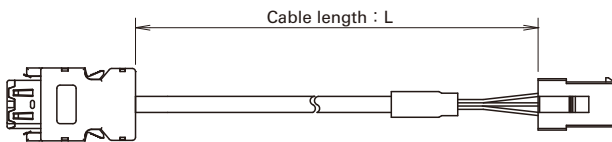
For power



For brake



For encoder



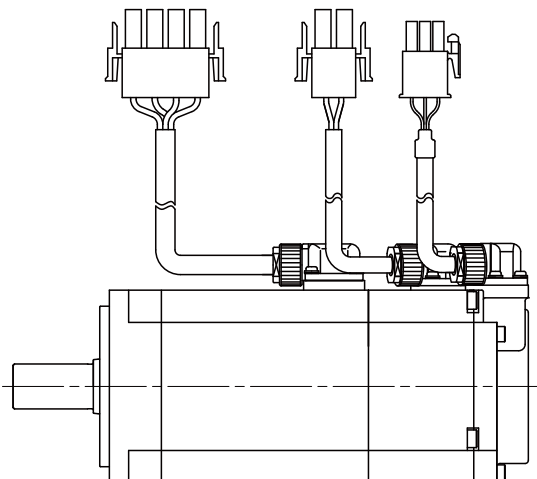
Model No.			Cable length : L (m)
For power	For brake	For encoder	
RS-CM4-01-R	RS-CB3-01-R	RS-CA4-01-R	1
RS-CM4-02-R	RS-CB3-02-R	RS-CA4-02-R	2
RS-CM4-03-R	RS-CB3-03-R	RS-CA4-03-R	3
RS-CM4-05-R	RS-CB3-05-R	RS-CA4-05-R	5
RS-CM4-10-R	RS-CB3-10-R	RS-CA4-10-R	10

### Servo motor with relay cable connector

200V System

Rated output	Motor flange size	Holding brake	Model No.	Remark
30W	40mm sq.	—	R2AA04003FXPA0	
30W	40mm sq.	yes (DC24V)	R2AA04003FCPA0	
50W	40mm sq.	—	R2AA04005FXPA0	
50W	40mm sq.	yes (DC24V)	R2AA04005FCPA0	
100W	40mm sq.	—	R2AA04010FXPA0	
90W	40mm sq.	yes (DC24V)	R2AA04010FCPA0	90% lower rating
100W	60mm sq.	—	R2AA06010FXPA0	
100W	60mm sq.	yes (DC24V)	R2AA06010FCPA0	
200W	60mm sq.	—	R2AA06020FXPA0	
200W	60mm sq.	yes (DC24V)	R2AA06020FCPA0	
400W	60mm sq.	—	R2AA06040FXPA0	
360W	60mm sq.	yes (DC24V)	R2AA06040FCPA0	90% lower rating
750W	80mm sq.	—	R2AA08075FXPA0	
750W	80mm sq.	yes (DC24V)	R2AA08075FCPA0	

• Connectors are connected as shown in the figure. The cable length is 200 ± 30mm.



To SANYO DENKI Co.,LTD.

Date : \_\_\_\_\_

Company: \_\_\_\_\_

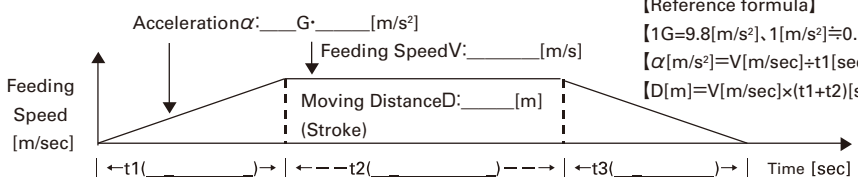
Department: \_\_\_\_\_

Name: \_\_\_\_\_

Tel: \_\_\_\_\_

FAX: \_\_\_\_\_

E-mail: \_\_\_\_\_

Item	Contents																								
①	Name of target equipment Equipment name, category (transport, processing, test, other)																								
②	Name of servo axis Axis name, axial mechanism (horizontal/vertical), brake mechanism (yes/no)																								
③	Current condition of above axis Manufacturer Name ( ) Series Name ( ) Motor Capacity ( ) Hydraulic, Mechanical, or New System ( )																								
④	Positioning accuracy $\pm$ mm $\pm$ $\mu$ m																								
⑤	Operation pattern <div style="display: flex; align-items: center;">  <div style="margin-left: 20px;"> <p><b>[Reference formula]</b>  <math>1G=9.8[m/s^2]</math>, <math>1[m/s^2]=0.1G</math>  <math>[\alpha[m/s^2]=V[m/sec] \div t1[sec]]</math>  <math>[D[m]=V[m/sec] \times (t1+t2)[sec]]</math></p> </div> </div>																								
⑥	Mechanism Ball-screw/screw-rotation type (horizontal/vertical), ball-screw/nut-rotation type (horizontal/vertical), rack and pinion (horizontal/vertical), belt/chain (horizontal/vertical), rotary table, roll feed, other																								
⑦	<table style="width: 100%; border-collapse: collapse;"> <tr> <td>WT (table mass)</td><td>kg</td><td>WL (work mass)</td><td>kg</td><td>WA (mass of other drive parts)</td><td>kg</td></tr> <tr> <td>WR (rack mass)</td><td>kg</td><td>WB (belt/chain mass)</td><td>kg</td><td>WC (counterbalance mass)</td><td>kg</td></tr> <tr> <td>Fa (external force axial direction)</td><td>N</td><td>Fb (ball-screw preload)</td><td>N</td><td>T (roll pushing force)</td><td>N</td></tr> <tr> <td>Dr1 (drive-side roll diameter)</td><td>mm</td><td>Dr2 (follower-side roll diameter)</td><td>mm</td><td></td><td></td></tr> </table>	WT (table mass)	kg	WL (work mass)	kg	WA (mass of other drive parts)	kg	WR (rack mass)	kg	WB (belt/chain mass)	kg	WC (counterbalance mass)	kg	Fa (external force axial direction)	N	Fb (ball-screw preload)	N	T (roll pushing force)	N	Dr1 (drive-side roll diameter)	mm	Dr2 (follower-side roll diameter)	mm		
	WT (table mass)	kg	WL (work mass)	kg	WA (mass of other drive parts)	kg																			
	WR (rack mass)	kg	WB (belt/chain mass)	kg	WC (counterbalance mass)	kg																			
	Fa (external force axial direction)	N	Fb (ball-screw preload)	N	T (roll pushing force)	N																			
	Dr1 (drive-side roll diameter)	mm	Dr2 (follower-side roll diameter)	mm																					
	<table style="width: 100%; border-collapse: collapse;"> <tr> <td>Lr1 (drive-side roll length)</td><td>mm</td><td>Lr2 (follower-side roll length)</td><td>mm</td><td>G (reduction ratio)</td><td></td></tr> <tr> <td>JG (speed-reducer inertia)</td><td>kg·m<sup>2</sup></td><td>JC (coupling inertia)</td><td>kg·m<sup>2</sup></td><td></td><td></td></tr> <tr> <td>JN (nut inertia)</td><td>kg·m<sup>2</sup></td><td>JO (other motor-axis conversion inertia)</td><td>kg·m<sup>2</sup></td><td></td><td></td></tr> <tr> <td>Db (ball-screw diameter)</td><td>mm</td><td>Lb (ball-screw axial length)</td><td>mm</td><td>Pb (ball-screw lead)</td><td>mm</td></tr> </table>	Lr1 (drive-side roll length)	mm	Lr2 (follower-side roll length)	mm	G (reduction ratio)		JG (speed-reducer inertia)	kg·m <sup>2</sup>	JC (coupling inertia)	kg·m <sup>2</sup>			JN (nut inertia)	kg·m <sup>2</sup>	JO (other motor-axis conversion inertia)	kg·m <sup>2</sup>			Db (ball-screw diameter)	mm	Lb (ball-screw axial length)	mm	Pb (ball-screw lead)	mm
	Lr1 (drive-side roll length)	mm	Lr2 (follower-side roll length)	mm	G (reduction ratio)																				
	JG (speed-reducer inertia)	kg·m <sup>2</sup>	JC (coupling inertia)	kg·m <sup>2</sup>																					
	JN (nut inertia)	kg·m <sup>2</sup>	JO (other motor-axis conversion inertia)	kg·m <sup>2</sup>																					
	Db (ball-screw diameter)	mm	Lb (ball-screw axial length)	mm	Pb (ball-screw lead)	mm																			
<table style="width: 100%; border-collapse: collapse;"> <tr> <td>Dp (pinion/pulley diameter)</td><td>mm</td><td>Lp (pinion axial length)</td><td>mm</td><td>tp (pulley thickness)</td><td>mm</td></tr> <tr> <td>Dt (table diameter)</td><td>mm</td><td>Dh (table-support diameter)</td><td>mm</td><td>LW (load shift from axis)</td><td>mm</td></tr> <tr> <td>Ds (table shaft diameter)</td><td>mm</td><td>Ls (table shaft length)</td><td>mm</td><td></td><td></td></tr> <tr> <td><math>\rho</math> (specific gravity of ball-screw/pinion/pulley/table-shaft material)</td><td>kg·cm<sup>3</sup></td><td></td><td></td><td></td><td></td></tr> </table>	Dp (pinion/pulley diameter)	mm	Lp (pinion axial length)	mm	tp (pulley thickness)	mm	Dt (table diameter)	mm	Dh (table-support diameter)	mm	LW (load shift from axis)	mm	Ds (table shaft diameter)	mm	Ls (table shaft length)	mm			$\rho$ (specific gravity of ball-screw/pinion/pulley/table-shaft material)	kg·cm <sup>3</sup>					
Dp (pinion/pulley diameter)	mm	Lp (pinion axial length)	mm	tp (pulley thickness)	mm																				
Dt (table diameter)	mm	Dh (table-support diameter)	mm	LW (load shift from axis)	mm																				
Ds (table shaft diameter)	mm	Ls (table shaft length)	mm																						
$\rho$ (specific gravity of ball-screw/pinion/pulley/table-shaft material)	kg·cm <sup>3</sup>																								
<table style="width: 100%; border-collapse: collapse;"> <tr> <td><math>\mu</math> (friction coefficient between sheet and sliding-surface/support-section/roll)</td><td></td><td><math>\rho 1</math> (specific gravity of roll-1 material)</td><td>kg/cm<sup>3</sup></td><td></td><td></td></tr> <tr> <td><math>\rho 2</math> (specific gravity of roll-2 material)</td><td>kg/cm<sup>3</sup></td><td><math>\kappa</math> (internal friction coefficient of preload nut)</td><td></td><td></td><td></td></tr> <tr> <td><math>\eta</math> (mechanical efficiency)</td><td></td><td>JL (load inertia of motor-axis conversion)</td><td>kg·m<sup>2</sup></td><td></td><td></td></tr> <tr> <td>TF (friction torque of motor axis conversion)</td><td>N·m</td><td>Tu (imbalance torque of motor axis conversion)</td><td>N·m</td><td></td><td></td></tr> </table>	$\mu$ (friction coefficient between sheet and sliding-surface/support-section/roll)		$\rho 1$ (specific gravity of roll-1 material)	kg/cm <sup>3</sup>			$\rho 2$ (specific gravity of roll-2 material)	kg/cm <sup>3</sup>	$\kappa$ (internal friction coefficient of preload nut)				$\eta$ (mechanical efficiency)		JL (load inertia of motor-axis conversion)	kg·m <sup>2</sup>			TF (friction torque of motor axis conversion)	N·m	Tu (imbalance torque of motor axis conversion)	N·m			
$\mu$ (friction coefficient between sheet and sliding-surface/support-section/roll)		$\rho 1$ (specific gravity of roll-1 material)	kg/cm <sup>3</sup>																						
$\rho 2$ (specific gravity of roll-2 material)	kg/cm <sup>3</sup>	$\kappa$ (internal friction coefficient of preload nut)																							
$\eta$ (mechanical efficiency)		JL (load inertia of motor-axis conversion)	kg·m <sup>2</sup>																						
TF (friction torque of motor axis conversion)	N·m	Tu (imbalance torque of motor axis conversion)	N·m																						
⑧	Speed reducer Customer-provided ( / )-Sanyo denki standard(planet/spur/no-backlash-planet / ) other( / )																								
⑨	Encoder type Encoder type specified ( yes / no ) Yes:(Wiring saving incremental encoder, battery backup absolute encoder, absolute encoder for incremental system, battery-less absolute encoder) Resolution( )																								
⑩	Input format Position , velocity , torque , other ( )																								
⑪	Host equipment (controller) Sequencer , laptop , customer-developed product , Sanyo denki-provided , other ( )																								
⑫	Usage environment and other requirements Cutting , clean-room use , anti-dust measures , other ( )																								
⑬	Estimated production Single product: ( ) units/month ( ) units/year																								
⑭	Development schedule Prototype period: ( )Year ( ) Month Production period: ( )Year ( ) Month																								
⑮	Various measures Related documentation ( already submitted; send later by mail) Visit/PR desired ( yes / no ) Meeting desired ( yes / no )																								
⑯	Miscellaneous (questions, pending problems, unresolved issues, etc.)																								

## ■ ECO PRODUCTS



ECO PRODUCTS are designed with the goal of lessening environmental impact, from product development to disposal.

## ■ Precautions For Adoption



Failure to follow the precautions on the right may cause moderate injury and property damage, or in some circumstances, could lead to a serious accident.

Always follow all listed precautions.

## ⚠ Cautions

- Read the accompanying Instruction Manual carefully prior to using the product.
- If applying to medical devices and other equipment affecting people's lives, please contact us beforehand and take appropriate safety measures.
- If applying to equipment that can have significant effects on society and the general public, please contact us beforehand.
- Do not use this product in an environment where vibration is present, such as in a moving vehicle or shipping vessel.
- Do not perform any retrofitting, re-engineering, or modification to this equipment.
- The SERVO SYSTEMS presented in this catalog are meant to be used for general industrial applications. If using for special applications related to aviation and space, nuclear power, electric power, submarine repeaters, etc., please contact us beforehand.

\*For any question or inquiry regarding the above, contact our Sales Department.

## SANYO DENKI CO., LTD.

1-15-1, Kita-Otsuka, Toshima-ku, Tokyo 170-8451, Japan

## SANYO DENKI AMERICA, INC.

468 Amapola Avenue Torrance, CA 90501 U.S.A.

## SANYO DENKI EUROPE SA.

P.A. Paris Nord II, 48 Allée des Erables-VILLEPINTE, BP.57286, F-95958 ROISSY CDG Cedex, France

## SANYO DENKI GERMANY GmbH

Frankfurter Strasse 63-69, 65760 Eschborn, Germany

## SANYO DENKI KOREA CO., LTD.

9F 5-2, Sunwha-dong Jung-gu Seoul, 100-130, Korea

## SANYO DENKI SHANGHAI CO., LTD.

Rm2108-2109, Bldg A, Far East International Plaza, No.319, Xianxia Rd., Shanghai, 200051, China

## SANYO DENKI TAIWAN CO., LTD.

Room 1208, 12F, No.96 Chung Shan N, Rd., Sec.2, Taipei 104, Taiwan, R.O.C.

## SANYO DENKI (H.K.) CO., LIMITED

Room 2305, 23/F, South Tower, Concordia Plaza, 1 Science Museum Rd., TST East, Kowloon, Hong Kong

## SANYO DENKI SINGAPORE PTE. LTD.

10, Hoe Chiang Road, #14-03A/04, Keppel Towers, Singapore 089315

<http://www.sanyodenki.com>

Phone: +81 3 3917 5157

Phone: +1 310 783 5400

Phone: +33 1 48 63 26 61

Phone: +49 6196 76113 0

Phone: +82 2 773 5623

Phone: +86 21 6235 1107

Phone: +886 2 2511 3938

Phone: +852 2312 6250

Phone: +65 6223 1071