

SPEED/PACKAGE AVAILABILITY

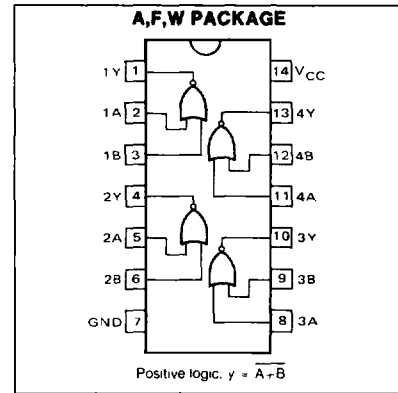
54 F,W 74 A,F
 54LS F,W 74LS A,F

SWITCHING CHARACTERISTICS $V_{CC} = 5V, T_A = 25^\circ C$

TEST CONDITIONS	54/74			54/74LS			UNIT
	MIN	TYP	MAX	MIN	TYP	MAX	
Propagation delay time t_{PLH} Low-to-high	$C_L = 50pF$ $R_L = 133\Omega$			$C_L = 45pF$ $R_L = 687\Omega$			ns
		10	15	20	32		
t_{PHL} High-to-low	$C_L = 150pF$			$C_L = 150pF$			ns
		15	22	18	28		
		12	18				
		$C_L = 150pF$					
		16	24				

Load circuit and typical waveforms are shown at the front of section.

PIN CONFIGURATION



SPEED/PACKAGE AVAILABILITY

54 F,W 74 A,F
 54LS F,W 74LS A,F
 54S F,W 74S A,F

SWITCHING CHARACTERISTICS $V_{CC} = 5V, T_A = 25^\circ C$

TEST CONDITIONS	54/74			54/74LS			54/74S			UNIT
	MIN	TYP	MAX	MIN	TYP	MAX	MIN	TYP	MAX	
Propagation delay time t_{PLH} Low-to-high	$C_L = 45pF$ $R_L = 133\Omega$			$C_L = 45pF$ $R_L = 687\Omega$			$C_L = 15pF$ $R_L = 93\Omega$			ns
		13	22	12	24	4	6.5			
t_{PHL} High-to-low	$C_L = 50pF$			$C_L = 50pF$			$C_L = 50pF$			ns
		8	15	12	24	4	6.5			

Load circuit and typical waveforms are shown at the front of section.

PIN CONFIGURATION

