

D I N C o n n e c t o r s



D I N C o n n e c t o r s



NYS 321



NYS 325

- Male cable connectors with rugged diecast shell
- Flexible bushing
- Gold or silver plated non-tarnishing contacts
- Heavy duty cable clamp
- Female receptacle, stamped housing
- Complete shielding with ground contact
- Nickel-plated shell

NYS 321

NYS 324

DIN Connectors

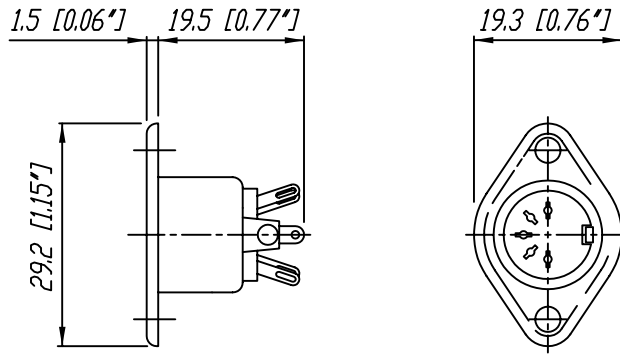
Ordering Information

Type No.	Description	Cable O.D.
DIN male cable connectors		
NYS 321	3 pole, with silver plated contacts	5.0 mm
NYS 321G	3 pole with gold plated contacts	5.0 mm
NYS 322	5 pole, with silver plated contacts	5.0 mm
NYS 322G	5 pole with gold plated contacts	5.0 mm
NYS 322AG	5 pole with gold plated shell and contacts	5.0 mm
NYS 323	7 pole, with silver plated contacts	5.0 mm
NYS 323G	7 pole, with gold plated contacts	5.0 mm
DIN female chassis connectors		
NYS 324	3 pole, with silver plated contacts	–
NYS 325	5 pole, with silver plated contacts	–
NYS 326	7 pole, with silver plated contacts	–

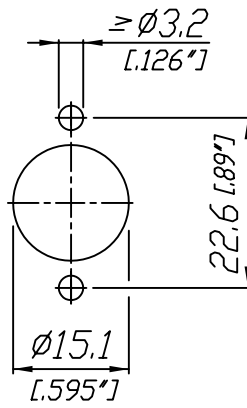
Specification

DIN connectors

Electrical	
Rated current	depends on mating connector
Contact resistance	depends on mating connector
Insulation resistance	≥ 1 GΩ
Dielectric strength	500 V dc
Mechanical	
Lifetime	> 1'000 mating cycles
Cable O.D.	5 mm
Solderability	complies with IEC68-2-20
Operating temperature	-25°C to +70°C
Material	
Housing / handle	- Zinc diecast Ni/Au plated - Steel, Ni plated
Insulation	Thermoplastic
Contacts	Brass, Ni / Au plated
Strain relief	Crimp type Zn plated
Part number coding:	B black handle BG ... black handle, gold plated contacts
	G.... gold plated contacts S silent switch
	AG all gold, gold plated contacts and shell GT gold plated tip contact



Frontplattenausschnitt
Panel cut out



					Werkstoff:	Massstab:		Datum	Name
				*Lieferant darf ohne Ruecksprache nicht geaendert werden		1:1	Gezeichnet	01.02.01	Battlogg
				Zeichnung urheberrechtlich geschuetzt (DIN 34) (C)			Geprueft		
				Benennung: DIN Connectors - 5 Pole NYS 325			Gesehen		
							Ersetzt durch:		Blatt
							Ersatz fuer:		von Blatt
A	22.6 (22.2)	11.03. 09	Batlog				Zechn. Nr.	3102 ST 22 39	
Ind.	Aenderung	Datum	Name	REAN					