

## General Description

QX9920 is a highly stable and reliable constant-current LED driver with high efficiency. It is especially suited to drive several high power and high luminance LEDs in series.

QX9920 uses fixed off-time and peak current control mode and its operating frequency can vary up to 1MHz, which not only reduces the dimensions of inductor, capacitor and PCB but also improves efficiency. The minimum off-time is 620ns and the off-time can be adjusted by changing the external capacitor, and the operating frequency also can be adjusted according to the need of customers. QX9920 regulates the current flowing through LEDs to set the luminance of LEDs by changing the external resistor, and the current can vary from tens of mA to 2.5A, on the other hand, the luminance of LEDs also can be regulated by a PWM signal applied to EN pin.

## Features

- Wide Range Input Voltage: 2.5V to 100V
- High Efficiency: Up to 90%
- Maximum Operating Frequency: 1MHz
- UVLO Voltage: 2.5V
- Peak Current Sense Voltage: 250mV
- Adjustable Luminance With PWM Signal Applied to EN Pin
- Adjustable Off-time
- Internal Current Sampling Leading Edge Blanking Circuit

## Applications

- LED Backlight of Flat Panel Display
- Bike Light
- LED Spotlight
- Very Bright Flashlight

## Typical Application

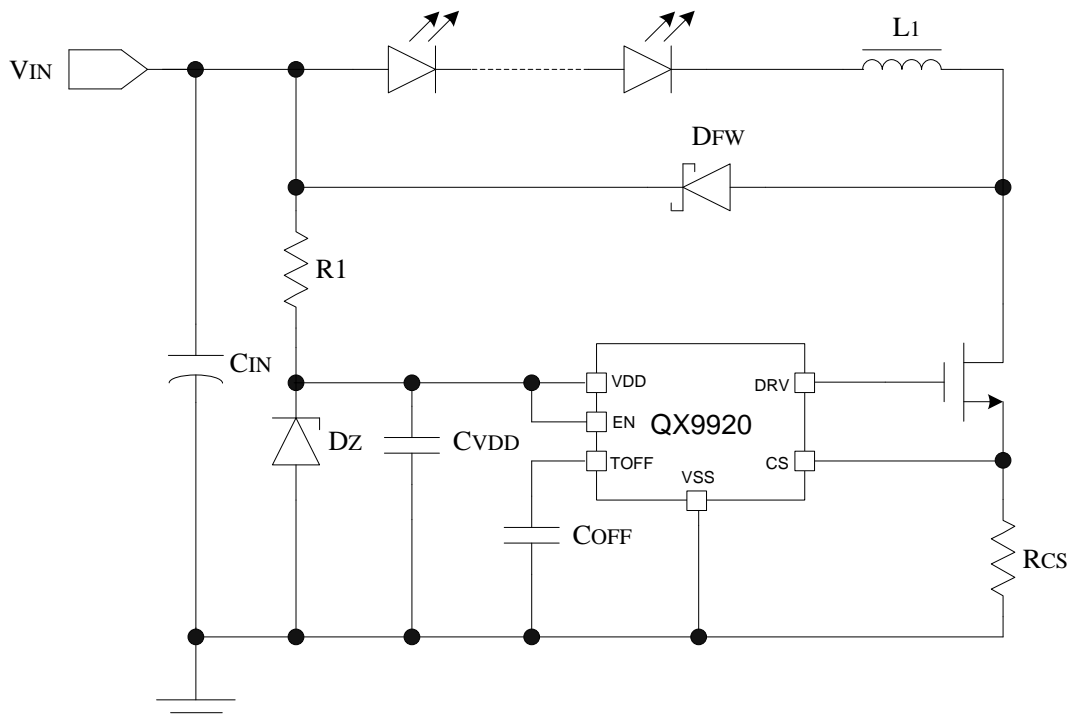


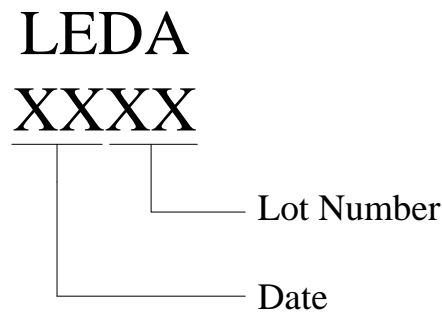
Figure 1: Typical Application Circuit Diagram of QX9920

## Ordering Information

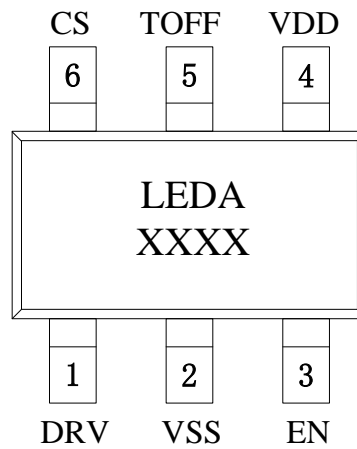
Type Number

**QX9920**

Package Marking



Pin Assignment



SOT23-6

## Pin Description

Pin	Pin Name	Pin Type	Description
1	DRV	Output	Driving Pin
2	VSS	Ground	Ground
3	EN	Input	Chip Enable Pin (Active High)
4	VDD	Supply	Power Supply
5	TOFF	Input	Off-time Setting Pin
6	CS	Input	Output Current Sense

## Functional Block Diagram

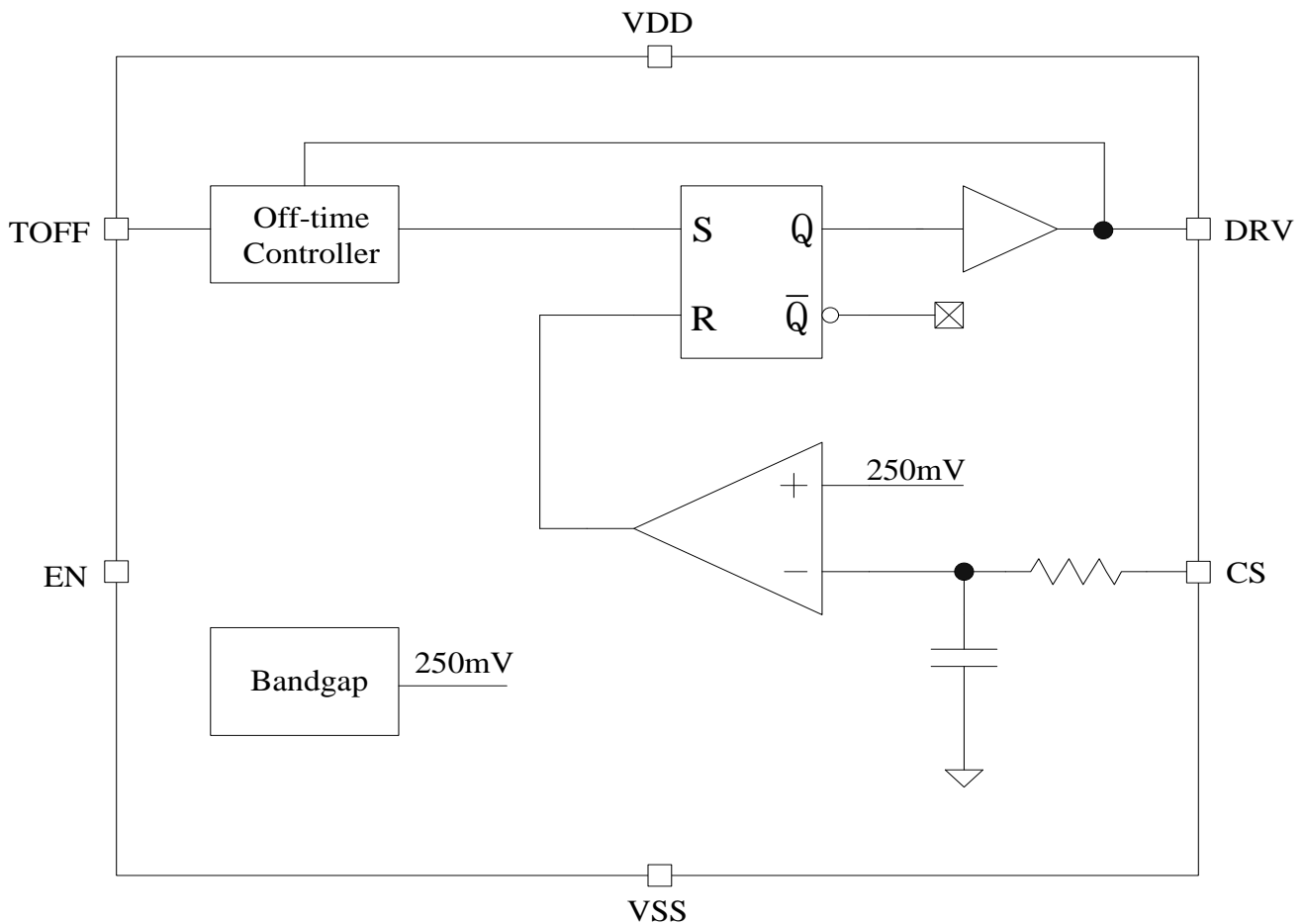


Figure 2: Functional Block Diagram of QX9920

### Absolute Maximum Ratings (Note 1)

Parameter	Symbol	Description	Min	Max	Unit
Voltage	V <sub>MAX</sub>	Maximum Voltage On VDD Pin		7	V
	V <sub>MIN_MAX</sub>	Maximum Voltage On EN, DRV, CS and TOFF Pins	-0.3	V <sub>DD</sub> +0.3	V
Power Dissipation	P <sub>SOT23-6</sub>	Maximum Power Dissipation for SOT23-6 Package		0.3	W
Thermal	T <sub>J</sub>	Junction Temperature Range	-20	125	°C
	T <sub>A</sub>	Operating Temperature Range	-20	85	°C
	T <sub>STG</sub>	Storage Temperature Range	-40	125	°C
	T <sub>SD</sub>	Soldering Temperature Rang (less than 30 sec)		240	°C
ESD	V <sub>ESD</sub>	ESD Voltage for Human Body Mode		2000	V

Note 1: Absolute Maximum Ratings indicate limits beyond which damage to the device may occur. Exposure to Absolute Maximum Rating conditions for extended periods may affect device reliability.

### Recommended Operating Conditions (Note 2)

Parameter	Symbol	Min	Typ	Max	Unit
Supply Voltage	V <sub>DD</sub>	2.5	5	5.5	V
Operating Frequency	F <sub>OP</sub>			1000	KHz
Dim Frequency	F <sub>PWM</sub>		250	1000	Hz

Note 2: The Recommended Operating Conditions are required in order to ensure the normal operation of the IC, but does not guarantee completely meeting the individual performance characteristics.

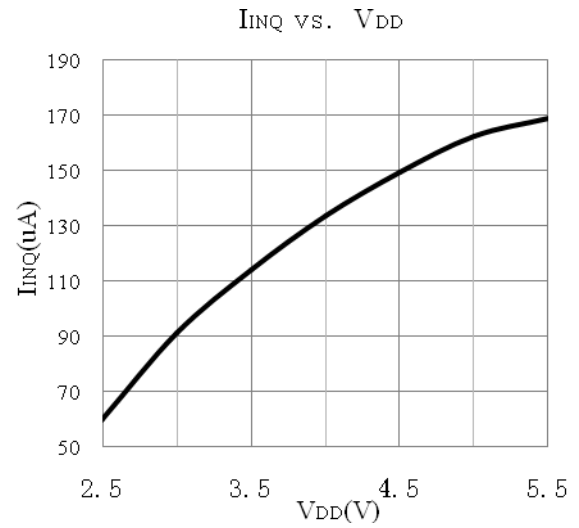
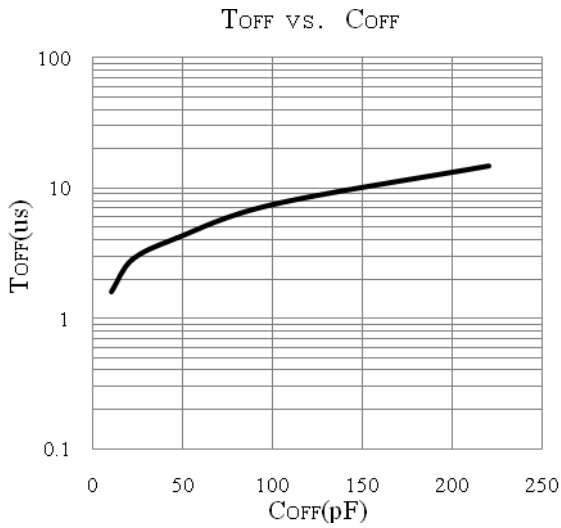
## Electronic Characteristics

$V_{DD}=5V$ ,  $T_A=25^\circ C$ , unless otherwise specified

Parameter	Symbol	Test Conditions	Min	Typ	Max	Unit
<b>Supply Voltage</b>						
Maximum Input Voltage	$V_{DD}$			5	6	V
UVLO Voltage	$V_{DD\_UVLO}$	$V_{DD}$ Rising		2.5		V
<b>Supply Current</b>						
Operating Current	$I_{OP}$	$F_{OP}=200KHz$		1.3		mA
Standby Input Current	$I_{INQ}$	Without Load, EN='Low'		160		uA
<b>Current Sensing</b>						
Current Detection Threshold Voltage	$V_{CS\_TH}$		240	250	260	mV
IC Cutoff Delay	$T_D$			61		ns
<b>Switch Frequency</b>						
Maximum Operating Frequency	$F_{MAX}$				1000	KHz
<b>Cutoff Time</b>						
Minimum Cutoff Time	$T_{OFF\_MIN}$	TOFF Pin without Capacitor		620		ns
<b>Enable Input On EN Pin</b>						
"High" Voltage Level On EN Pin			$0.4*V_{DD}$			V
"Low" Voltage Level On EN Pin					0.2	V

## Typical Electrical Curves

$V_{IN}=5V$ ,  $T_A=25^\circ C$ , unless otherwise specified



## Applications Information

### Detailed Description

QX9920 is a highly efficient constant current driver for high luminance LED with built-in high accuracy comparator, fixed off-time controller and constant current driver etc.

QX9920 uses fixed off-time and peak current control mode, and the system of circuit operates with a switching transistor in the turn-on or turn-off states.

In Fig.1, when the MOS transistor is in the turn-on state, the supply current charges the inductor  $L_1$  by passing through LEDs, the inductor  $L_1$ , the switching transistor and the current-sense resistor  $R_{CS}$ , therefore, the current of inductor gradually increases, when the voltage drop across  $R_{CS}$  reaches the Current Detection Threshold Voltage  $V_{CS\_TH}$ , the DRV pin outputs low level to turn off the MOS transistor.

When the transistor is off, the inductor  $L_1$  is discharged and the discharging current passes through the circuit loop composed of LEDs, the freewheeling diode  $D_{FW}$  and the inductor  $L_1$ . After the MOS transistor remains off for one Cutoff Time  $T_{OFF}$ , it returns to the turn-on states again.

The process described above goes round and begins again, moves in circles.

### $T_{OFF}$ Setting

The fixed off-time can be set by the capacitor  $C_{OFF}$  connected to the pin TOFF:

$$T_{OFF} = 0.51 * 150K\Omega * (C_{OFF} + 7.3pF) + T_D$$

where  $T_D$  equals 61ns.

The off-time is 620ns without  $C_{OFF}$ .

### Output Current Setting

The LED current is determined by the formula below:

$$I_{LED} = \frac{0.25}{R_{CS}} - \frac{V_{LED} * T_{OFF}}{2L_1}$$

where  $V_{LED}$  is the forward voltage drop across LEDs, and  $L_1$  is the inductance.

### Inductor Selection

To ensure the system output constant current, the inductor must operate in CCM mode, the minimum inductance needed is

$$L_1 > 4V_{LED} * T_{OFF} * R_{CS}$$

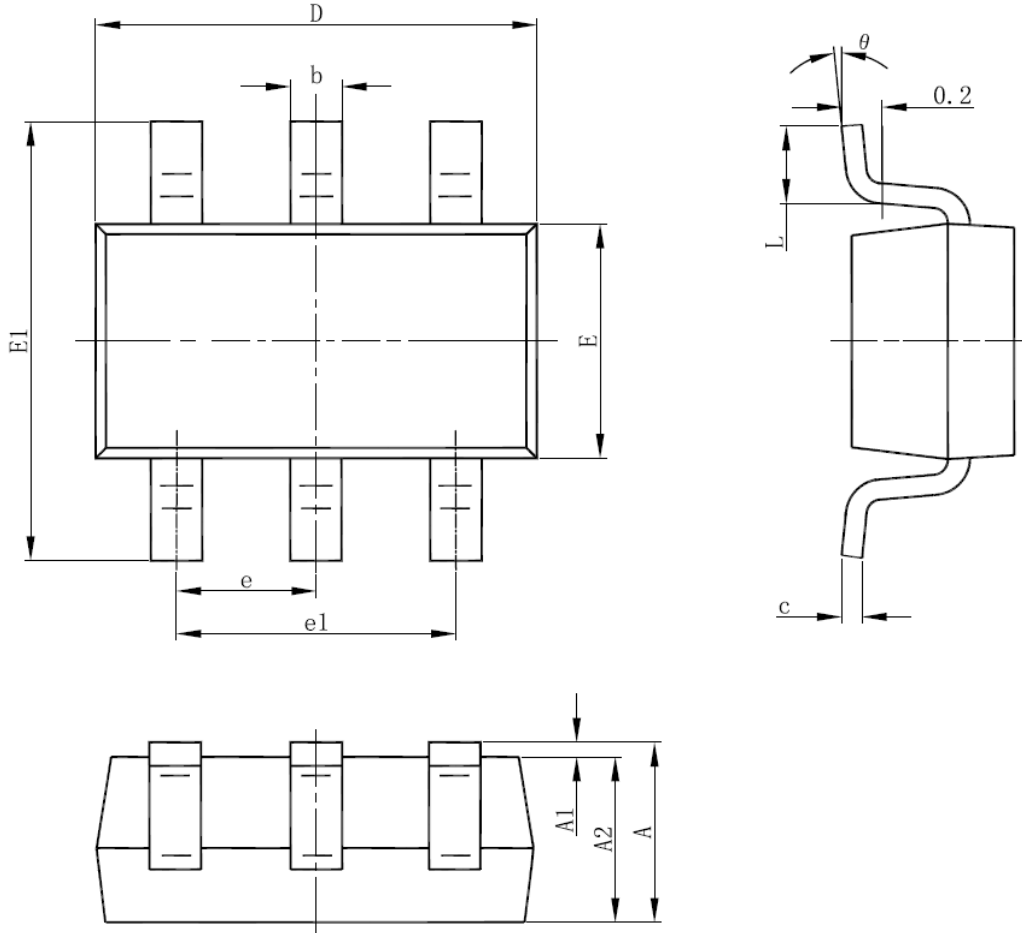
### Operating Frequency of System

The operating frequency of system is determined by the formula below:

$$F_S = \frac{V_{IN} - V_{LED}}{V_{IN} * T_{OFF}}$$

## Package Information

Physical Dimensions for SOT23-6 Package:



Symbol	Dimensions In Millimeters		Dimensions In Inches	
	Min	Max	Min	Max
A	1.050	1.250	0.041	0.049
A1	0.000	0.100	0.000	0.004
A2	1.050	1.150	0.041	0.045
b	0.300	0.500	0.012	0.020
c	0.100	0.200	0.004	0.008
D	2.820	3.020	0.111	0.119
E	1.500	1.700	0.059	0.067
E1	2.650	2.950	0.104	0.116
e	0.950(BSC)		0.037(BSC)	
e1	1.800	2.000	0.071	0.079
L	0.300	0.600	0.012	0.024
θ	0°	8°	0°	8°



## Declaration

- QXMD reserves the right to make changes to improve technical design and semiconductor products, and may do so without further notice. Buyers should obtain the latest relevant information before placing orders and should verify that such information is current and complete.
- QXMD is continually working to improve the quality and reliability of its products. Nevertheless, semiconductor devices in general can malfunction or fail due to their inherent electrical sensitivity and vulnerability to physical stress. It is the responsibility of the buyers, when utilizing QXMD products, to comply with the standards of safety in making a safe design for the entire system, and to avoid situations in which a malfunction or failure of such QXMD products could cause loss of human life, bodily injury or damage to property.

In developing your designs, please ensure that QXMD products are used within specified operating ranges as set forth in the most recent QXMD products specifications.

- The QXMD products listed in this document are intended for usage in consumer electronics applications. These QXMD products are neither intended nor warranted for usage in equipment that requires extraordinarily high quality and/or reliability or a malfunction or failure of which may cause loss of human life or bodily injury (“Unintended Usage”). Unintended Usage include atomic energy control instruments, airplane or spaceship instruments, transportation instruments, traffic signal instruments, combustion control instruments, medical instruments, all types of safety devices, etc.. Unintended Usage of QXMD products listed in this document shall be made at the customer’s own risk.
- The information contained herein is presented only as a guide for the applications of our products. QXMD cannot assume responsibility for use of any circuitry other than circuitry entirely embodied in a QXMD product. No circuit patent licenses are implied.

## Customer Service Center

QX Micro Devices Co., Ltd.

Add: 4th Floor, Building 22, Zhiheng Hi-Tech Park, Nantou Guangkou 2nd Road, Nanshan, Shenzhen, Guangdong, China

ZIP Code: 518052

Tel: +86-0755-88852177

Fax: +86-0755-86350858

Web Site: [www.qxmd.com.cn](http://www.qxmd.com.cn)