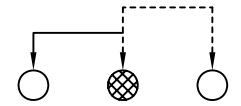


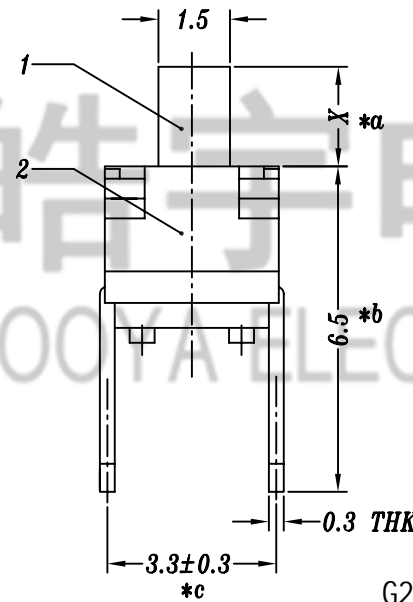
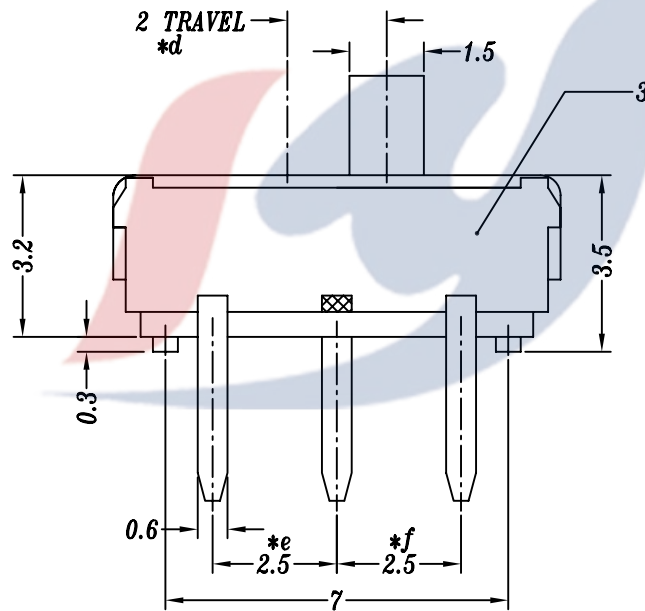
P.C.B LAYOUT



SCHEMATIC

注：接触片分两种

- 1. 铍铜接触片
- 2. 磷铜接触弹线



SPECIFICATION

- 1. Rating: DC 12V 0.3A
- 2. Travel: 2 mm
- 3. Function: 1P2T
- 4. Contact Resistance: $\leq 70\Omega$ MAX
- 5. Operating Force: $130\pm 30\text{gf}$, $200\pm 80\text{gf}$
- 6. Life test: 10,000 cycles

\triangle KNOB X=1.5, 2, 3, 4, 5.0, 5.5mm

G2: 柄长2mm
B: 胶柄黑色

| | | | | TOLERANCE | | | | | | | | | | |
|-----|------------------------|------------------------|-----|----------------------|---|----|------------|---------------------------|-----|-----|------|----------|--|--|
| | | | | UNLESS SPECIFIED | | A2 | 2019.04.20 | \triangle 新增柄高1.5 5.0规格 | | GYW | | | | |
| | | | | UP TO 5mm: ± 0.1 | ANGULAR | A1 | 2016.12.22 | 新增柄高5.5规格 | | GYW | | | | |
| | | | | ABOVE 5mm: ± 0.2 | $\pm 1^\circ$ | NO | DATE | REVISIONS | | BY | APPD | | | |
| 4 | MK22D10 CONTACT/SPRING | BERYLLIUM/PBS | 1 | Ag PLATED/NATURAL | TITLE:MINI SLIDE SWITCH | | UNIT : MM | ROHS COMPLIANT | DWN | | | | | |
| 3 | MS12D16 CASE | PA9T/0.3mm BRASS STRIP | 1 | BLACK/Ag(Ni) PLATED | MODEL:MS-12D16G2-B 弹线 | | SCALE: 6:1 | CHK'D | | | | | | |
| 2 | MS22D16 COVER | 0.2mm SUS | 1 | WASHING | HAOYU(HONGKONG)LIMITED 皓宇(香港)有限公司 | | | | | | | APPD | | |
| 1 | MS22D16 KNOB | PA46/PA9T | 1 | WHITE/BLACK | | | | | | | | PRO.AGL: | | |
| NO. | PART NAME | MATERIAL | QTY | FINISHING | | | | | | | | | | |