


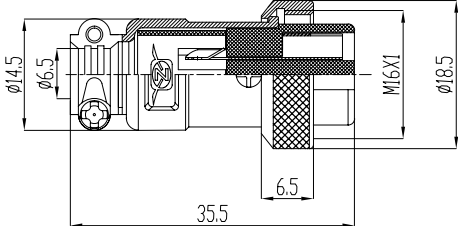

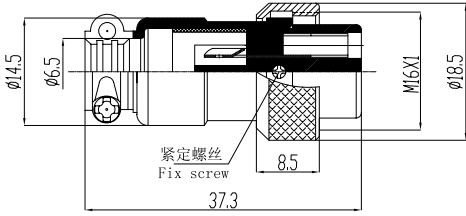

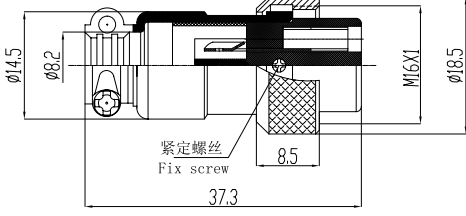

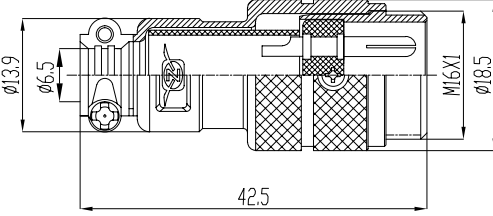

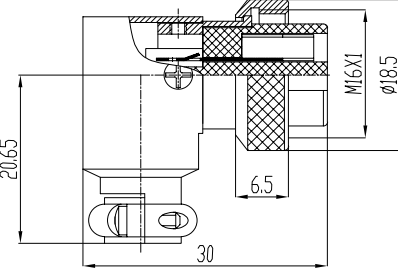
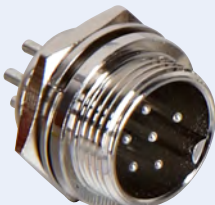
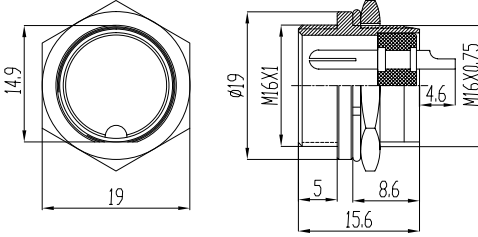
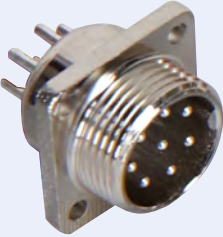
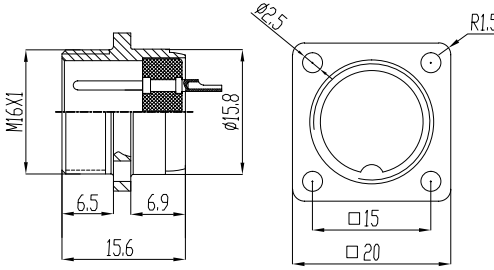

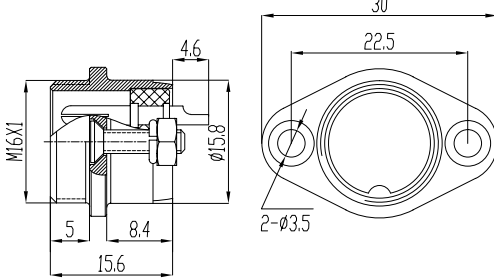

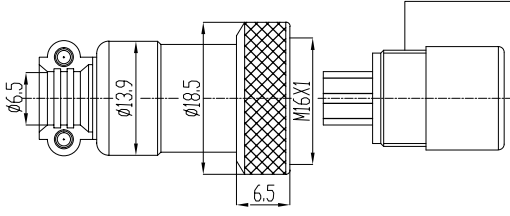

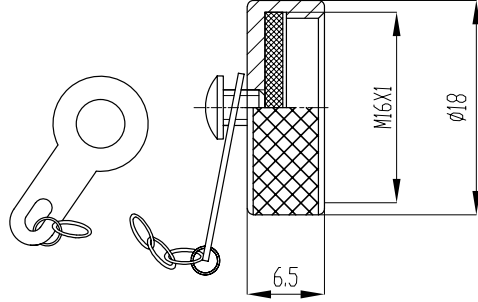
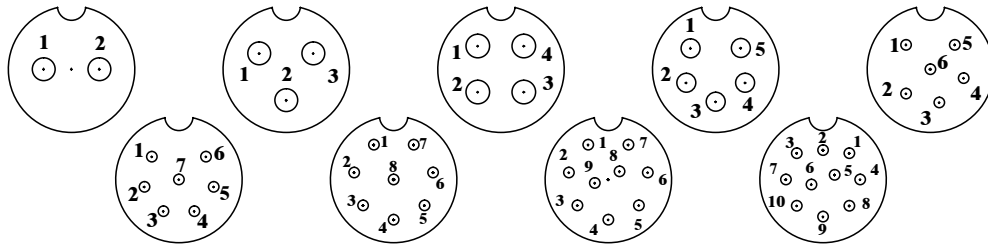
图 例 Description-Figure	安装尺寸图 Drawing	芯数 Contacts	订货号 Ordering-NO
电缆式母插头 Plug IP55 		2 3 4 5 6 7 8 9 10	16M-2A 16M-3A 16M-4A 16M-5A 16M-6A 16M-7A 16M-8A 16M-9A 16M-10A
电缆式母插头 A2 Plug A2 (new version) IP55 		2 3 4 5 6 7 8 9 10	16M-2A2 16M-3A2 16M-4A2 16M-5A2 16M-6A2 16M-7A2 16M-8A2 16M-9A2 16M-10A2
电缆式母插头 A3 Plug A3 (new version) IP55 		2 3 4 5 6 7 8 9 10	16M-2A3 16M-3A3 16M-4A3 16M-5A3 16M-6A3 16M-7A3 16M-8A3 16M-9A3 16M-10A3
电缆对接式插头 Male cable connecting plug IP55 		2 3 4 5 6 7 8 9 10	16M-2K 16M-3K 16M-4K 16M-5K 16M-6K 16M-7K 16M-8K 16M-9K 16M-10K
90度弯式电缆插头 90 degree angled plug IP55 		2 3 4 5 6 7 8 9 10	16M-2D 16M-3D 16M-4D 16M-5D 16M-6D 16M-7D 16M-8D 16M-9D 16M-10D



图 例 Description-Figure	安装尺寸图 Drawing	芯数 Contacts	订货号 Ordering-NO
<p>单切面定位插座 Single milling face allocation socket IP55</p> 		2 3 4 5 6 7 8 9 10	16M-2G 16M-3G 16M-4G 16M-5G 16M-6G 16M-7G 16M-8G 16M-9G 16M-10G
<p>方方法兰公插座 Square flange socket IP55</p> 		2 3 4 5 6 7 8 9 10	16M-2H 16M-3H 16M-4H 16M-5H 16M-6H 16M-7H 16M-8H 16M-9H 16M-10H
<p>双眼法兰插座 Two eyes flange socket IP55</p> 		2 3 4 5 6 7 8 9 10	16M-2X 16M-3X 16M-4X 16M-5X 16M-6X 16M-7X 16M-8X 16M-9X 16M-10X
<p>螺纹直式电缆插头 Thread straight cable plug IP55</p> 		3 4 5 10	16M-3A1 16M-4A1 16M-5A1 16M-10A1
<p>座金属防尘盖 Metal dust cap IP55</p> 			另购 separately

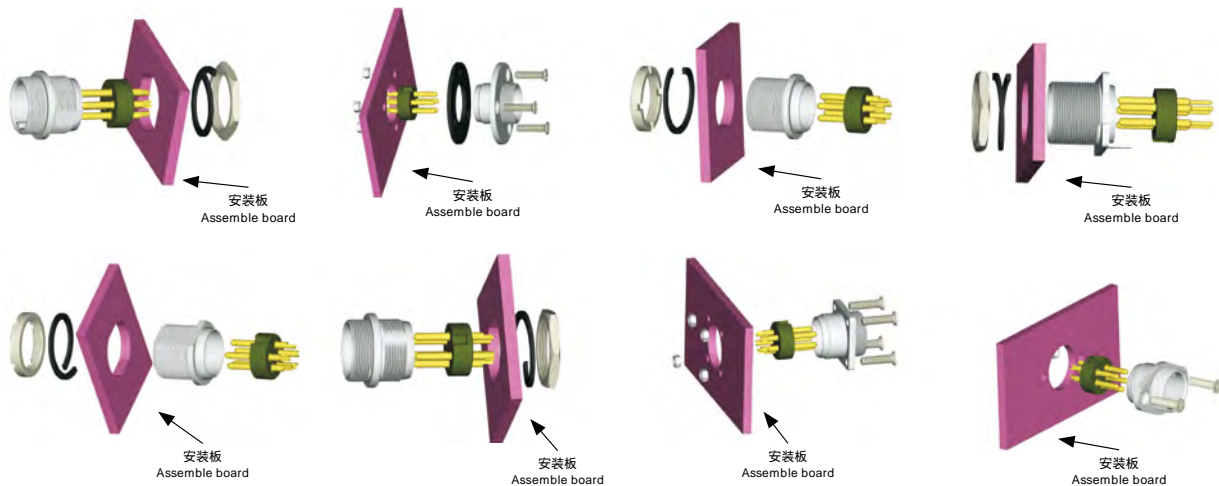
孔位排列 (从针的方向看)

The hole place arranges(Comply with the needle direction)



安装方式

Assemble way



材料和技术方式

Material and specifications

接插方式 Coupling	螺纹连接 Threaded coupling	接线方式 Termination	焊接 Solder
外壳材料 Shell material	锌基合金 (镀镍) Zinc alloy with nikelplate	接插次数 Mating cycle	500次 500
绝缘体 Insert material	电木 bakelite	温度范围 Temperature range	-20°C ~ +85°C
接触体材料 Contact material	铜 (镀银/金) copper(silverplated/gold)	电缆直径 Cable diameter	φ 7.5mm ~ ≤ φ 8.5mm

技术参数

Technology parameter

芯数 NO.of contacts	2	3	4	5	6	7	8	9	10
额定电流 / 电压 Rated current/voltage	30A-125V	30A-125V	30A-125V	16A-125V	8A-125V	8A-125V	8A-125V	8A-125V	8A-125V
工作电压 (AC.V) 分钟 Operation limit voltage(AC.V.rms)	200	200	200	200	200	200	200	200	200
耐压 (AC.V) 分钟 Withstanding voltage(AC.V.rms) 1 minute	1500	1500	1500	1500	1500	1500	1500	1500	1500
绝缘阻抗 (MΩ) DC500V Insulation resistance(MΩ MIN.) at DC 500V	1500	1500	1500	1500	1500	1500	1500	1500	1500
接触阻抗 (MΩ) DC1A Contact resistance (MΩ MAX.) AT DC 1A	5	5	5	5	5	5	5	5	5
焊杯口径 (mm) Solder cup mouth aperture	1.6	1.6	1.6	1.2	0.9	0.9	0.9	0.9	0.9
接触体孔径 (mm) Solder inter diameter	2.45	2.45	2.45	2	1.15	1.15	1.15	1.15	1.15