

DS92LX1621/DS92LX1622 10 - 50 MHz DC-Balanced Channel Link III Serializer and Deserializer with Bi-Directional Control Channel

Check for Samples: [DS92LX1621](#), [DS92LX1622](#)

FEATURES

- Configurable Data Throughput
 - 12-bit (min) up to 600 Mbits/sec
 - 16-bit (def) up to 800 Mbits/sec
 - 18-bit (max) up to 900 Mbits/sec
- 10 MHz to 50 MHz Input Clock Support
- Embedded Clock with DC Balanced Coding to Support AC-Coupled Interconnects
- Capable to Drive up to 10 Meters Shielded Twisted-Pair
- Bi-Directional Control Interface Channel with I²C Support
- I²C Interface for Device Configuration. Single-pin ID Addressing
- 16-bit Data Payload with CRC (Cyclic Redundancy Check) for Checking Data Integrity with Programmable Data Transmission Error Detection and Interrupt Control
- Up to 6 Programmable GPIO's
- AT-SPEED BIST Diagnosis Feature to Validate Link Integrity
- Individual Power-Down Controls for Both SER and DES
- User-Selectable Clock Edge for Parallel Data on Both SER and DES
- Integrated Termination Resistors
- 1.8V- or 3.3V-Compatible Parallel Bus Interface
- Single Power Supply at 1.8V
- IEC 61000-4-2 ESD Compliant
- No Reference Clock Required on Deserializer
- Programmable Receive Equalization
- LOCK Output Reporting Pin to Ensure Link Status
- EMI/EMC Mitigation
 - DES Programmable Spread Spectrum (SSCG) Outputs
 - DES Receiver Staggered Outputs
- Temperature Range –40°C to +85°C

- SER Package: 32 Pin WQFN (5mm x 5mm)
- DES Package: 40 Pin WQFN (6mm x 6mm)

APPLICATIONS

- Industrial Displays, Touch Screens
- Medical Imaging

DESCRIPTION

The DS92LX1621 / DS92LX1622 chipset offers a Channel Link III interface with a high-speed forward channel and a full-duplex back channel for data transmission over a single differential pair. The Serializer/Deserializer pair is targeted for direct connections between automotive camera systems and Host Controller/Electronic Control Unit (ECU). The primary transport sends 16 bits of image data over a single high-speed serial stream together with a low latency bi-directional control channel transport that supports I²C. Included with the 16-bit payload is a selectable data integrity option for CRC (Cyclic Redundancy Check) or parity bit to monitor transmission link errors. Using TI's embedded clock technology allows transparent full-duplex communication over a single differential pair, carrying asymmetrical bi-directional control information without the dependency of video blanking intervals. This single serial stream simplifies transferring a wide data bus over PCB traces and cable by eliminating the skew problems between parallel data and clock paths. This significantly saves system cost by narrowing data paths that in turn reduce PCB layers, cable width, and connector size and pins.

In addition, the Deserializer inputs provide equalization control to compensate for loss from the media over longer distances. Internal DC balanced encoding/decoding is used to support AC-Coupled interconnects.

The sleep function provides a power-savings mode and a remote wake up interrupt for signaling of a remote device.

The Serializer is offered in a 32-pin WQFN package, and Deserializer is offered in a 40-pin WQFN package.



Please be aware that an important notice concerning availability, standard warranty, and use in critical applications of Texas Instruments semiconductor products and disclaimers thereto appears at the end of this data sheet.

All trademarks are the property of their respective owners.

Typical Application Diagram

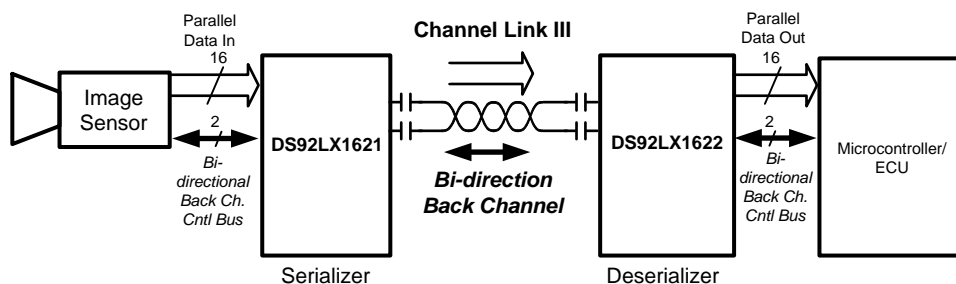


Figure 1. Typical Application Circuit

Block Diagrams

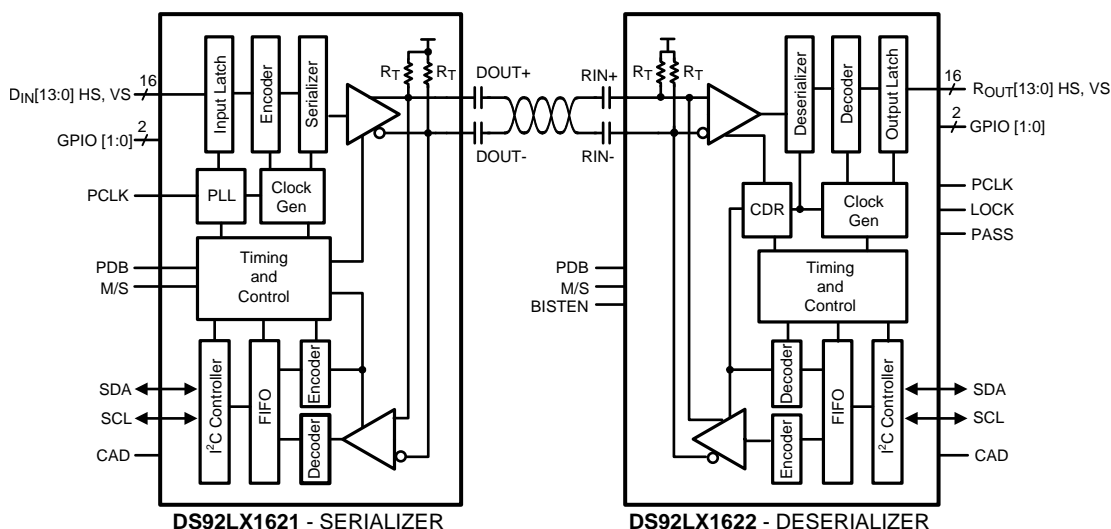


Figure 2. Block Diagram

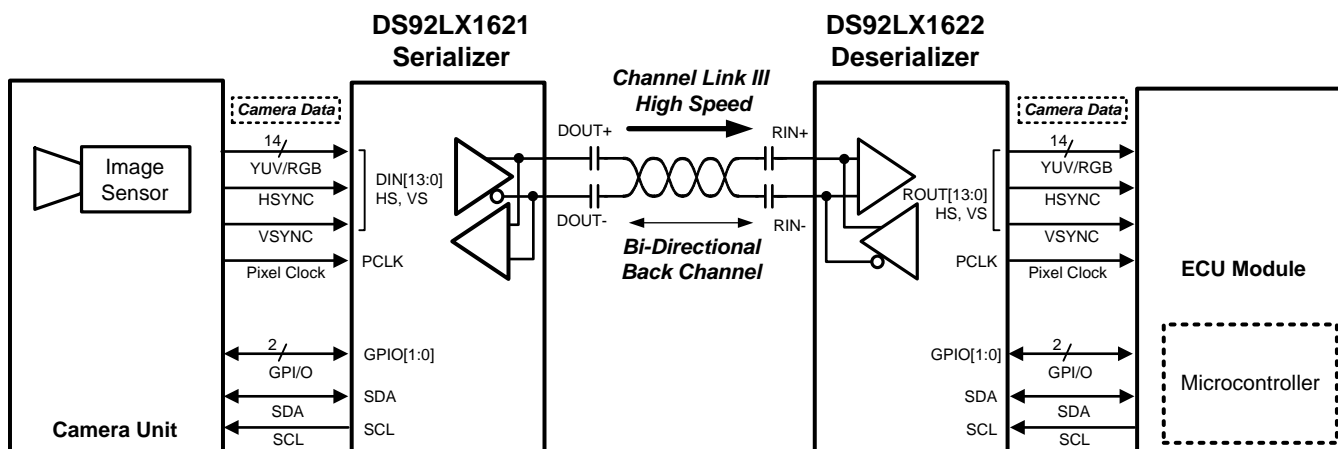


Figure 3. Application Block Diagram

DS92LX1621 Pin Diagram

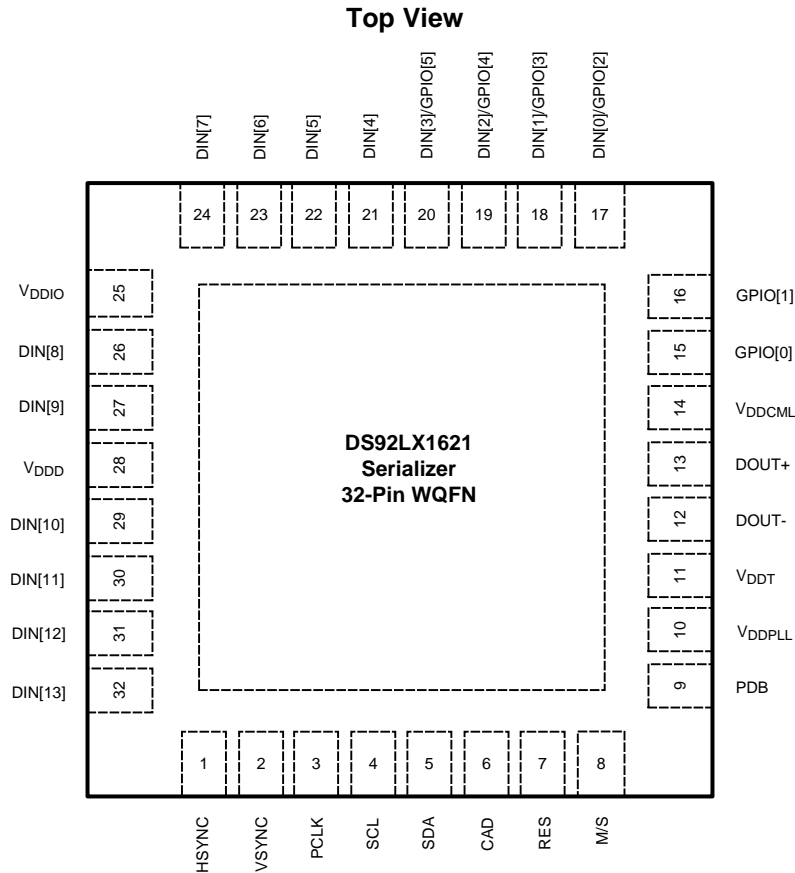


Figure 4. Serializer - DS92LX1621 32-Pin WQFN (RTV Package)

DS92LX1621 Serializer PIN DESCRIPTIONS

Pin Name	Pin No.	I/O, Type	Description
LVCNMOS PARALLEL INTERFACE			
DIN[13:0]	32, 31, 30, 29, 27, 26, 24, 23, 22, 21, 20, 19, 18, 17	Inputs, LVCMOS w/ pull down	Parallel data inputs.
HSYNC	1	Inputs, LVCMOS w/ pull down	Parallel data input 14, typically used as Horizontal SYNC Input
VSYNC	2	Inputs, LVCMOS w/ pull down	Parallel data input 15, typically used as Vertical SYNC Input
PCLK	3	Input, LVCMOS w/ pull down	Pixel Clock Input Pin. Strobe edge set by TRFB control register.
GENERAL PURPOSE INPUT OUTPUT (GPIO)			
DIN[3:0]/GPIO[5:2]	20, 19, 18, 17	Input/Output, Digital	DIN[3:0] general-purpose pins can be individually configured as either inputs or outputs; used to control and respond to various commands.
GPIO[1:0]	16, 15	Input/Output, Digital	General-purpose pins can be individually configured as either inputs or outputs; used to control and respond to various commands.

DS92LX1621 Serializer PIN DESCRIPTIONS (continued)

Pin Name	Pin No.	I/O, Type	Description
SERIAL CONTROL BUS - I²C COMPATIBLE			
SCL	4	Input/Output, Digital	Clock line for the serial control bus communication SCL requires an external pull-up resistor to V _{DDIO} .
SDA	5	Input/Output, Open Drain	Data line for the serial control bus communication SDA requires an external pull-up resistor to V _{DDIO} .
M/S	8	Input, LVCMOS w/ pull down	I ² C Mode Select M/S = L, Master (default); device generates and drives the SCL clock line M/S = H, Slave; device accepts SCL clock input
CAD	6	Input, analog	Continuous Address Decoder Input pin to select the Slave Device Address. Input is connect to external resistor divider to programmable Device ID address (See Figure 29).
CONTROL AND CONFIGURATION			
PDB	9	Input, LVCMOS w/ pull down	Power down Mode Input Pin. PDB = H, Transmitter is enabled and is ON. PDB = L, Transmitter is in Sleep (Power Down). When the transmitter is in the SLEEP state, the PLL is shutdown, and IDD is minimized.
RES	7	Input, LVCMOS w/ pull down	Reserved. This pin MUST be tied LOW.
Channel Link III INTERFACE			
DOUT+	13	Input/Output, CML	Non-inverting differential output, back-channel input.
DOUT-	12	Input/Output, CML	Inverting differential output, back-channel input.
Power and Ground			
VDDPLL	10	Power, Analog	PLL Power, 1.8V ±5%
VDDT	11	Power, Analog	Tx Analog Power, 1.8V ±5%
VDDCML	14	Power, Analog	LVDS & BC Dr Power, 1.8V ±5%
VDDD	28	Power, Digital	Digital Power, 1.8V ±5%
VDDIO	25	Power, Digital	Power for input stage, The single-ended inputs are powered from V _{DDIO} .
VSS	DAP	Ground, DAP	DAP must be grounded. Connect to ground plane with at least 9 vias.

DS92LX1622 PIN DIAGRAM

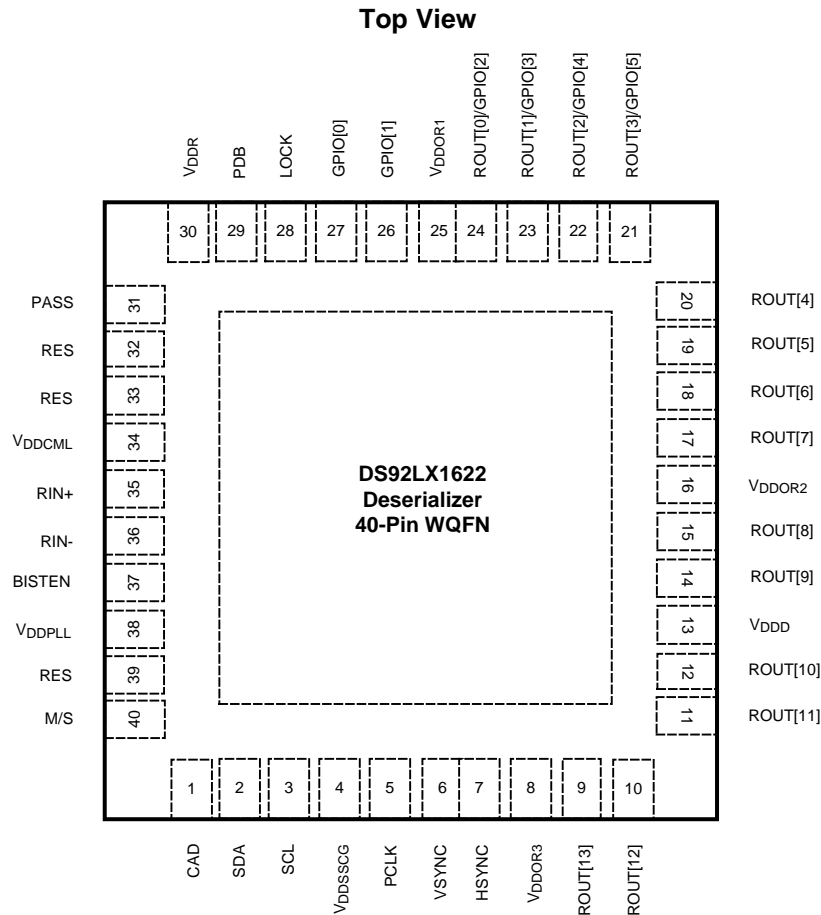


Figure 5. Deserializer - DS92LX1622 40-Pin WQFN (RTA Package)

DS92LX1622 Deserializer PIN DESCRIPTIONS

Pin Name	Pin No.	I/O, Type	Description
LVC MOS PARALLEL INTERFACE			
ROUT[13:0]	9, 10, 11, 12, 14, 15, 17, 18, 19, 20, 21, 22, 23, 24	Outputs, LVC MOS	Parallel data outputs.
HSYNC	7	Output, LVC MOS	Parallel data output 14, typically used as Horizontal SYNC output
VSYNC	6	Output, LVC MOS	Parallel data output 14, typically used as Vertical SYNC output
PCLK	5	Output, LVC MOS	Pixel Clock Output Pin. Strobe edge set by RRF B control register
General Purpose Input Output (GPIO)			
ROUT[3:0] / GPIO[5:2]	21, 22, 23, 24	Input/Output, Digital	ROUT[3:0] general-purpose pins can be individually configured as either inputs or outputs; used to control and respond to various commands.
GPIO[1:0]	26, 27	Input/Output, Digital	General-purpose pins can be individually configured as either inputs or outputs; used to control and respond to various commands.
SERIAL CONTROL BUS - I²C COMPATIBLE			
SCL	3	Input/Output, Digital	Clock line for the serial control bus communication. SCL requires an external pull-up resistor to V _{DDIO} .

DS92LX1622 Deserializer PIN DESCRIPTIONS (continued)

Pin Name	Pin No.	I/O, Type	Description
SDA	2	Input/Output, Open Drain	Data line for serial control bus communication SDA requires an external pull-up resistor to V _{DDIO} .
M/S	40	Input, LVCMOS w/ pull up	I ² C Mode Select
			M/S = L, Master; device generates and drives the SCL clock line
			M/S = H, Slave (default); device accepts SCL clock input
CAD	1	Input, analog	Continuous Address Decoder
			Input pin to select the Slave Device Address.
			Input is connect to external resistor divider to programmable Device ID address (See Figure 29)
CONTROL AND CONFIGURATION			
PDB	29	Input, LVCMOS w/ pull down	Power down Mode Input Pin.
			PDB = H, Receiver is enabled and is ON.
			PDB = L, Receiver is in Sleep (Power down mode). When the Receiver is in the SLEEP state, the LVCMOS Outputs are in TRI-STATE, the PLL is shutdown and IDD is minimized.
LOCK	28	Output, LVCMOS	LOCK Status Output Pin.
			LOCK = H, PLL is Locked, outputs are active
			LOCK = L, PLL is unlocked, ROUT and PCLK output states are controlled by OSS_SEL. May be used as Link Status.
PASS	31	Output, LVCMOS	When BISTEN = L; Normal operation PASS is high to indicate no errors are detected. The PASS pin asserts low to indicate a CRC error was detected on the link.
RES	32, 33, 39	-	Reserved.
			Pin 39: This pin MUST be tied LOW.
			Pins 32, 33: Leave pin open.
BIST MODE			
BISTEN	37	Input, LVCMOS w/ pull down	BIST Enable Pin.
			BISTEN = H, BIST Mode is enabled.
			BISTEN = L, BIST Mode is disabled.
PASS	31	Output, LVCMOS	PASS Output Pin for BIST mode.
			PASS = H, ERROR FREE Transmission
			PASS = L, one or more errors were detected in the received payload.
			Leave Open if unused. Route to test point (pad) recommended.
Channel Link III INTERFACE			
RIN+	35	Input/Output, CML	Noninverting differential input, back channel output.
RIN-	36	Input/Output, CML	Inverting differential input, back channel output.
POWER AND GROUND			
VDDSSCG	4	Digital Power	SSCG Power, 1.8V ±5% Power supply must be connect regardless if SSCG function is in operation
VDDOR1/2/3	25, 16, 8	Digital Power	TTL Output Buffer Power, The single-ended outputs and control input are powered from V _{DDIO} . V _{DDIO} can be connected to a 1.8V ±5% or 3.3V ±10%
VDDD	13	Digital Power	Digital Core Power, 1.8V ±5%
VDDR	30	Analog Power	Rx Analog Power, 1.8V ±5%
VDDCML	34	Analog Power	Bi-Directional Control Channel Driver Power, 1.8V ±5%
VDDPLL	38	Analog Power	PLL Power, 1.8V ±5%
VSS	DAP	Ground	DAP must be grounded. Connect to the ground plane with at least 16 vias.



These devices have limited built-in ESD protection. The leads should be shorted together or the device placed in conductive foam during storage or handling to prevent electrostatic damage to the MOS gates.

Absolute Maximum Ratings⁽¹⁾⁽²⁾

Supply Voltage (V_{DD1V8})	-0.3V to +2.5V
Supply Voltage (V_{DD3V3})	-0.3V to +4.0V
LVC MOS Input Voltage (V_{DD1V8})	-0.3V to $(V_{DD1V8} + 0.3V)$
LVC MOS Input Voltage (V_{DD3V3})	-0.3V to $(V_{DD3V3} + 0.3V)$
LVC MOS Output Voltage (V_{DD})	-0.3V to $(V_{DD} + 0.3V)$
CML Driver I/O Voltage (V_{DD1V8})	-0.3V to $(V_{DD1V8} + 0.3V)$
CML Receiver I/O Voltage (V_{DD1V8})	-0.3V to $(V_{DD1V8} + 0.3V)$
Junction Temperature	+150°C
Storage Temperature	-65°C to +150°C
Maximum Package Power Dissipation Capacity	1/θ _{JA} °C/W above +25°
Package Derating: DS92LX1621 32L WQFN	
θ _{JA} (based on 9 thermal vias)	34.3 °C/W
θ _{JC} (based on 9 thermal vias)	6.9 °C/W
Maximum Package Power Dissipation Capacity Package	1/θ _{JA} °C/W above +25°
Package Derating: DS92LX1622 40L WQFN	
θ _{JA} (based on 16 thermal vias)	28.0 °C/W
θ _{JC} (based on 16 thermal vias)	4.4 °C/W
ESD Rating (IEC 61000-4-2)	RD = 330Ω, CS = 150pF
Air Discharge (DOUT+, DOUT-, RIN+, RIN-)	≥±25 kV
Contact Discharge (DOUT+, DOUT-, RIN+, RIN-)	≥±10 kV
ESD Rating (HBM)	≥±8 kV

- (1) "Absolute Maximum Ratings" indicate limits beyond which damage to the device may occur, including inoperability and degradation of device reliability and/or performance. Functional operation of the device and/or non-degradation at the Absolute Maximum Ratings or other conditions beyond those indicated in the Recommended Operating Conditions is not implied. The Recommended Operating Conditions indicate conditions at which the device is functional; the device should not be operated beyond such conditions.
- (2) If Military/Aerospace specified devices are required, please contact the Texas Instruments Sales Office/ Distributors for availability and specifications.

Recommended Operating Conditions

	Min	Nom	Max	Units
V_{DD} (1.8V)	1.71	1.8	1.89	V
V_{DDIO} (1.8V Mode)	1.71	1.8	1.89	V
V_{DDIO} (3.3V Mode)	3	3.3	3.6	V
Supply Noise				
V_{DDn} (1.8V)			25	mVp-p
V_{DDIO} (1.8V)			25	mVp-p
V_{DD3V3}			50	mVp-p
Operating Free Air Temperature (T_A)	-40	+25	+85	°C
Input Clock Rate	10		50	MHz

Serializer Electrical Characteristics⁽¹⁾⁽²⁾⁽³⁾

Over recommended operating supply and temperature ranges unless otherwise specified.

Symbol	Parameter	Conditions	Min	Typ	Max	Units
LVC MOS DC SPECIFICATIONS 3.3V I/O (SER INPUTS, DES OUTPUTS, GPIO, CONTROL INPUTS AND OUTPUTS)						
V _{IH}	High Level Input Voltage	V _{IN} = 3.0V to 3.6V	2.0		V _{IN}	V
V _{IL}	Low Level Input Voltage	V _{IN} = 3.0V to 3.6V	GND		0.8	V
I _{IN}	Input Current	V _{IN} = 0V or 3.6V V _{IN} = 3.0V to 3.6V	-20	±1	+20	µA
V _{OH}	High Level Output Voltage	V _{DDIO} = 3.0V to 3.6V	2.4		V _{DDIO}	V
V _{OL}	Low Level Output Voltage	V _{DDIO} = 3.0V to 3.6V I _{OH} = +4mA	GND		0.4	V
I _{OS}	Output Short Circuit Current	V _{OUT} = 0V	Serializer GPIO Outputs		-24	mA
			Deserializer LVCMOS Outputs		-39	
I _{OZ}	TRI-STATE Output Current	PDB = 0V, V _{OUT} = 0V or V _{DD}	-20	±1	+20	µA
LVC MOS DC SPECIFICATIONS 1.8V I/O (TX INPUTS, RX OUTPUTS, GPIO, CONTROL INPUTS AND OUTPUTS)						
V _{IH}	High Level Input Voltage	V _{IN} = 1.71V to 1.89V	0.65 V _{IN}		V _{IN} +0.3	V
V _{IL}	Low Level Input Voltage	V _{IN} = 1.71V to 1.89V	GND		0.35 V _{IN}	
I _{IN}	Input Current	V _{IN} = 0V or 1.89V V _{IN} = 1.71V to 1.89V	-20	±1	+20	µA
V _{OH}	High Level Output Voltage	V _{DDIO} = 1.71V to 1.89V I _{OH} = -4mA	V _{DDIO} - 0.45		V _{DDIO}	V
V _{OL}	Low Level Output Voltage	V _{DDIO} = 1.71V to 1.89V I _{OL} = +4 mA	GND		0.45	V
I _{OS}	Output Short Circuit Current	V _{OUT} = 0V ⁽⁴⁾	Serializer GPIO Outputs		-11	mA
			Deserializer LVCMOS Outputs		-20	
I _{OZ}	TRI-STATE Output Current	PDB = 0V, V _{OUT} = 0V or V _{DD}	-20	±1	+20	µA
CML DRIVER DC SPECIFICATIONS (DOUT+, DOUT-)						
V _{OD}	Output Differential Voltage	R _T = 100Ω	268	340	412	mV
ΔV _{OD}	Output Differential Voltage Unbalance	R _L = 100Ω		1	50	mV
V _{OS}	Output Differential Offset Voltage	R _L = 100Ω (See Figure 10)	V _{DD} (MIN) - V _{OD} (MAX)	V _{DD} - V _{OD}	V _{DD} (MAX) - V _{OD} (MIN)	V
ΔV _{OS}	Offset Voltage Unbalance	R _L = 100Ω		1	50	mV
I _{OS}	Output Short Circuit Current	DOUT+/- = 0V, PDB = L or H ⁽⁴⁾		-27		mA
R _T	Differential Internal Termination Resistance	Differential across DOUT+ and DOUT-	80	100	120	Ω
CML RECEIVER DC SPECIFICATIONS (RIN+, RIN-)						
V _{TH}	Differential Threshold High Voltage	See Figure 12			+90	mV
V _{TL}	Differential Threshold Low Voltage		-90			

- (1) The Electrical Characteristics tables list guaranteed specifications under the listed Recommended Operating Conditions except as otherwise modified or specified by the Electrical Characteristics Conditions and/or Notes. Typical specifications are estimations only and are not guaranteed.
- (2) Current into device pins is defined as positive. Current out of a device pin is defined as negative. Voltages are referenced to ground except V_{OD}, ΔV_{OD}, V_{TH} and V_{TL} which are differential voltages.
- (3) Typical values represent most likely parametric norms at 1.8V or 3.3V, T_A = +25°C, and at the Recommended Operation Conditions at the time of product characterization and are not guaranteed.
- (4) Specification is guaranteed by characterization and is not tested in production.

Serializer Electrical Characteristics⁽¹⁾⁽²⁾⁽³⁾ (continued)

Over recommended operating supply and temperature ranges unless otherwise specified.

Symbol	Parameter	Conditions	Min	Typ	Max	Units	
V_{IN}	Differential Input Voltage Range	RIN+ - RIN-	180			mV	
I_{IN}	Input Current	$V_{IN} = V_{DD}$ or 0V, $V_{DD} = 1.89V$	-20	± 1	+20	μA	
R_T	Differential Internal Termination Resistance	Differential across RIN+ and RIN-	80	100	120	Ω	
SER/DES SUPPLY CURRENT *DIGITAL, PLL, AND ANALOG VDDS							
I_{DDT}	Serializer (Tx) Total Supply Current Mode (includes load current)	RT = 100 Ω WORST CASE pattern (See Figure 7)	VDDn = 1.89V, f = 50MHz Default Registers		62	90	mA
		RT = 100 Ω RANDOM PRBS-7 pattern			55		
I_{DDIOT}	Serializer (Tx) VDDIO Supply Current (includes load current)	RT = 100 Ω WORST CASE pattern (See Figure 7)	VDDn = 1.89V, f = 50MHz Default Registers		2	5	mA
			VDDn = 3.6V, f = 50MHz Default Registers		7	15	
I_{DDTZ}	Serializer (Tx) Supply Current Power-down	PDB = 0V; All other LVC MOS Inputs = 0V	VDD = 1.89V		370	775	μA
I_{DDIOTZ}			VDDIO = 1.89V		55	125	
			VDDIO = 3.6V		65	135	
I_{DDR}	Deserializer (Rx) Supply Current (includes load current)	VDDn = 1.89V CL = 8pF WORST CASE Pattern (See Figure 7)	f = 50 MHz SSCG[3:0] = ON Default Registers		60	96	mA
		VDDn = 3.6V CL = 8pF WORST CASE Pattern	f = 50 MHz Default Registers		53		
I_{DDIOR}	Deserializer (Rx) VDDIO Supply Current (includes load current)	VDDIO = 1.89V CL = 8pF WORST CASE Pattern (See Figure 7)	f = 50 MHz Default Registers		16	25	mA
		VDDIO = 3.6V CL = 8pF Worst Case Pattern	f = 50 MHz Default Registers		38	64	
I_{DDRZ}	Deserializer (Rx) Supply Current Power-down	PDB = 0V; All other LVC MOS Inputs = 0V	VDDn = 1.89V		42	400	μA
I_{DDIORZ}			VDDIO = 1.89V		8	40	
			VDDIO = 3.6V		350	800	

Recommended Serializer Timing for PCLK⁽¹⁾⁽²⁾

Over recommended operating supply and temperature ranges unless otherwise specified.

Symbol	Parameter	Conditions	Min	Typ	Max	Units
t _{TCP}	Transmit Clock Period	10 MHz — 50 MHz	20	T	100	ns
t _{TCIH}	Transmit Clock Input High Time		0.4T	0.5T	0.6T	ns
t _{TCIL}	Transmit Clock Input Low Time		0.4T	0.5T	0.6T	ns
t _{CLKT}	PCLK Input Transition Time		0.5		3	ns
f _{osc}	Internal oscillator clock source			25		MHz

- (1) Current into device pins is defined as positive. Current out of a device pin is defined as negative. Voltages are referenced to ground except VOD, ΔVOD, VTH and VTL which are differential voltages.
- (2) Typical values represent most likely parametric norms at 1.8V or 3.3V, T_A = +25°C, and at the Recommended Operation Conditions at the time of product characterization and are not guaranteed.

Serializer Switching Characteristics⁽¹⁾⁽²⁾⁽³⁾

Over recommended operating supply and temperature ranges unless otherwise specified.

Symbol	Parameter	Conditions	Min	Typ	Max	Units
t _{LHT}	CML Low-to-High Transition Time	RL = 100Ω (See Figure 8)		150	330	ps
t _{HHT}	CML High-to-Low Transition Time	RL = 100Ω (See Figure 8)		150	330	ps
t _{DIS}	Data Input Setup to PCLK	Serializer Data Inputs (See Figure 14)	2.0			ns
t _{DIH}	Data Input Hold from PCLK		2.0			ns
t _{PLD}	Serializer PLL Lock Time ⁽⁴⁾⁽⁵⁾	RL = 100Ω		1	2	ms
t _{SD}	Serializer Delay	R _T = 100Ω f = 10-50 MHz Reg Address 0x03h b[0] (TRFB = 1) (See Figure 16)	6.386T + 5	6.386T + 12	6.386T + 19.7	ns
t _{JIND}	Serializer Output Deterministic Jitter	Serializer output intrinsic deterministic jitter. Measure with PRBS-7 test pattern. PCLK = 50 MHz		0.13		UI ⁽⁶⁾
t _{JINR}	Serializer Output Random Jitter	Serializer output intrinsic random jitter (cycle-cycle). Alternating – 1,0 pattern.		0.04		UI ⁽⁶⁾
t _{JINT}	Peak-to-peak Serializer Output Jitter	Serializer output peak-to-peak jitter includes deterministic jitter, random jitter, and jitter transfer from serializer input. Measure with PRBS-7 test pattern.		0.396		UI ⁽⁶⁾
λ _{STXBW}	Serializer Jitter Transfer Function -3 dB Bandwidth	PCLK = 50 MHz Default Registers		1.9		MHz
δ _{STX}	Serializer Jitter Transfer Function	PCLK = 50 MHz Default Registers		0.944		dB
δ _{STXf}	Serializer Jitter Transfer Function Peaking Frequency	PCLK = 50 MHz Default Registers		500		kHz

- (1) Typical values represent most likely parametric norms at 1.8V or 3.3V, T_A = +25°C, and at the Recommended Operation Conditions at the time of product characterization and are not guaranteed.
- (2) Current into device pins is defined as positive. Current out of a device pin is defined as negative. Voltages are referenced to ground except VOD, ΔVOD, VTH and VTL which are differential voltages.
- (3) The Electrical Characteristics tables list guaranteed specifications under the listed Recommended Operating Conditions except as otherwise modified or specified by the Electrical Characteristics Conditions and/or Notes. Typical specifications are estimations only and are not guaranteed.
- (4) t_{PLD} and t_{DDL} is the time required by the serializer and deserializer to obtain data lock when exiting power-down state with an active PCLK.
- (5) Specification is guaranteed by design and is not tested in production.
- (6) UI – Unit Interval is equivalent to one ideal serialized data bit width. The UI scales with PCLK frequency.

Deserializer Switching Characteristics⁽¹⁾⁽²⁾⁽³⁾⁽⁴⁾

Over recommended operating supply and temperature ranges unless otherwise specified.

Symbol	Parameter	Conditions	Pin/Freq.	Min	Typ	Max	Units
t_{RCP}	Receiver Output Clock Period	$t_{RCP} = t_{TCP}$	PCLK	20	T	100	ns
t_{PDC}	PCLK Duty Cycle	Default Registers SSCG[3:0] = OFF	PCLK	45	50	55	%
t_{CLH}	LVC MOS Low-to-High Transition Time	V _{DDIO} : 1.71V to 1.89V or 3.0V to 3.6V, C _L = 8 pF (lumped load) Default Registers (See Table 1) ⁽⁵⁾	PCLK	1.3	2.0	2.8	ns
t_{CHL}	LVC MOS High-to-Low Transition Time			1.3	2.0	2.8	
t_{CLH}	LVC MOS Low-to-High Transition Time	V _{DDIO} : 1.71V to 1.89V or 3.0V to 3.6V, C _L = 8 pF (lumped load) Default Registers (See Table 1) ⁽⁶⁾	Deserializer Data Outputs	1.6	2.4	3.3	ns
t_{CHL}	LVC MOS High-to-Low Transition Time			1.6	2.4	3.3	
t_{ROS}	ROUT Setup Data to PCLK	V _{DDIO} : 1.71V to 1.89V or 3.0V to 3.6V, C _L = 8pF (lumped load) Default Registers (See Table 1)	Deserializer Data Outputs	0.38T	0.5T		ns
t_{ROH}	ROUT Hold Data to PCLK			0.38T	0.5T		
t_{DD}	Deserializer Delay	Default Registers Register 0x03h b[0] (RRFB = 1)	10 MHz-50 MHz	4.571T + 8	4.571T + 12	4.571T + 16	ns
$t_{DDL T}$	Deserializer Data Lock Time		10 MHz-50 MHz			10	ms
t_{RJIT}	Receiver Input Jitter Tolerance ⁽⁷⁾		50 MHz		0.53		UI
t_{RDJ}	Receiver Clock Jitter	PCLK SSCG[3:0] = OFF	10 MHz		300	550	ps
			50 MHz		120	250	
t_{DPJ}	Deserializer Period Jitter ⁽⁸⁾	PCLK SSCG[3:0] = OFF	10 MHz		425	600	ps
			50 MHz		320	480	
t_{DCCJ}	Deserializer Cycle-to-Cycle Clock Jitter ⁽⁹⁾	PCLK SSCG[3:0] = OFF	10 MHz		320	500	ps
			50 MHz		300	500	
f _{dev}	Spread Spectrum Clocking Deviation Frequency	LVC MOS Output Bus (See Figure 21)	20 MHz-50 MHz		±0.5% to ±2.0%		%
f _{mod}	Spread Spectrum Clocking Modulation Frequency		20 MHz-50 MHz		±9 kHz to ±66 kHz		kHz

- (1) The Electrical Characteristics tables list guaranteed specifications under the listed Recommended Operating Conditions except as otherwise modified or specified by the Electrical Characteristics Conditions and/or Notes. Typical specifications are estimations only and are not guaranteed.
- (2) Current into device pins is defined as positive. Current out of a device pin is defined as negative. Voltages are referenced to ground except V_{OD}, ΔV_{OD}, V_{TH} and V_{T L} which are differential voltages.
- (3) Typical values represent most likely parametric norms at 1.8V or 3.3V, T_A = +25°C, and at the Recommended Operation Conditions at the time of product characterization and are not guaranteed.
- (4) t_{DCJ} is the maximum amount of jitter measured over 30,000 samples based on Time Interval Error (TIE).
- (5) Specification is guaranteed by characterization and is not tested in production.
- (6) Specification is guaranteed by design and is not tested in production.
- (7) t_{RJIT} max (0.61 UI) is limited by instrumentation and actual t_{RJIT} of in-band jitter at low frequency (<2MHz) is greater than 1 UI.
- (8) t_{DPJ} is the maximum amount the period is allowed to deviate measured over 30,000 samples.
- (9) t_{DCCJ} is the maximum amount of jitter between adjacent clock cycles measured over 30,000 samples.

Bi-Directional Control Bus Timing Specifications (SCL, SDA) - (See Figure 6)

Over recommended operating supply and temperature ranges unless otherwise specified.

Symbol	Parameter	Conditions	Min	Typ	Max	Units
RECOMMENDED INPUT TIMING REQUIREMENTS ⁽¹⁾						
f _{SCL}	SCL Clock Frequency	f _{SCL} = 100 kHz	>0		100	kHz
f _{LOW}	SCL Low Period		4.7			μs
f _{HIGH}	SCL High Period		4.0			μs
t _{HD:STA}	Hold time for a start or a repeated start condition		4.0			μs
t _{SU:STA}	Set Up time for a start or a repeated start condition		4.7			μs
t _{HD:DAT}	Data Hold Time		0		3.45	μs
t _{SU:DAT}	Data Set Up Time		250			ns
t _{SU:STO}	Set Up Time for STOP Condition,		4.0			μs
t _r	SCL & SDA Rise Time				1000	ns
t _f	SCL & SDA Fall Time				300	ns
C _b	Capacitive load for bus			400	pF	
SWITCHING CHARACTERISTICS ⁽²⁾						
f _{SCL}	SCL Clock Frequency	Serializer M/S = 0 – R/W Register 0x05 = 0x40'h		100		kHz
		Deserializer M/S = 0 – READ Register 0x06 b[6:4] = 0x00'h		100		
f _{LOW}	SCL Low Period	Serializer M/S = 0 – R/W Register 0x05 = 0x40'h	4.7			μs
		Deserializer M/S = 0 – READ Register 0x06 b[6:4] = 0x00'h				
f _{HIGH}	SCL High Period	Serializer M/S = 0 – R/W Register 0x05 = 0x40'h	4.0			μs
		Deserializer M/S = 0 – READ Register 0x06 b[6:4] = 0x00'h				
t _{HD:STA}	Hold time for a start or a repeated start condition	Serializer M/S = 0 Register 0x05 = 0x40'h	4.0			μs
t _{SU:STA}	Set Up time for a start or a repeated start condition	Serializer M/S = 0 Register 0x05 = 0x40'h	4.7			μs
t _{HD:DAT}	Data Hold Time		0		3.45	μs
t _{SU:DAT}	Data Set Up Time		250			ns
t _{SU:STO}	Set Up Time for STOP Condition	Serializer M/S = 0	4.0			μs
t _f	SCL & SDA Fall Time				300	ns
t _{BUF}	Bus free time between a stop and start condition	Serializer M/S = 0	4.7			μs
t _{TIMEOUT}	NACK Time out	Serializer M/S = 1		1		ms
		Deserializer MODE = 1 Register 0x06 b[2:0]=111'b		25		

(1) Recommended Input Timing Requirements are input specifications and not tested in production.

(2) Specification is guaranteed by design and is not tested in production.

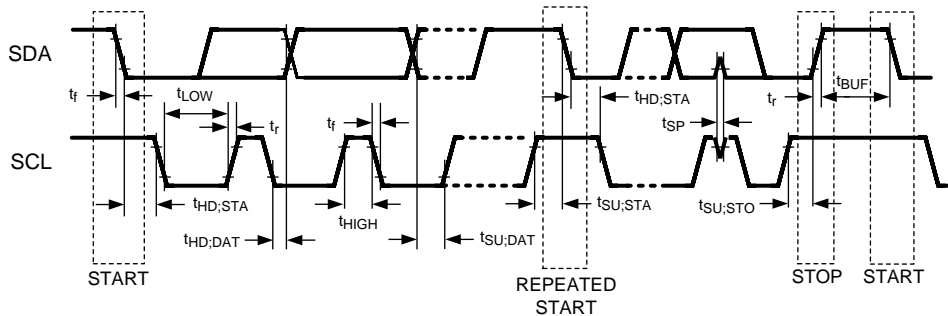


Figure 6. Bi-Directional Control Bus Timing

Bi-Directional Control Bus DC Characteristics (SCL, SDA) - I²C Compliant

Symbol	Parameter	Conditions	Min	Typ	Max	Units
V _{IH}	Input High Level	SDA and SCL	0.7 x V _{DDIO}		V _{DDIO}	V
V _{IL}	Input Low Level Voltage	SDA and SCL	GND		0.3 x V _{DDIO}	V
V _{HY}	Input Hysteresis			>50		mV
I _{OZ}	TRI-STATE Output Current	PDB = 0V V _{OUT} = 0V or V _{DD}	-20	±1	+20	µA
I _{IN}	Input Current	SDA or SCL, V _{in} = V _{DDIO} or GND	-20	±1	+20	µA
C _{IN}	Input Pin Capacitance			<5		pF
V _{OL}	Low Level Output Voltage	SCL and SDA V _{DDIO} = 3.0V I _{OL} = 1.5 mA			0.36	V
		SCL and SDA V _{DDIO} = 1.71V I _{OL} = 1 mA			0.36	

AC Timing Diagrams and Test Circuits

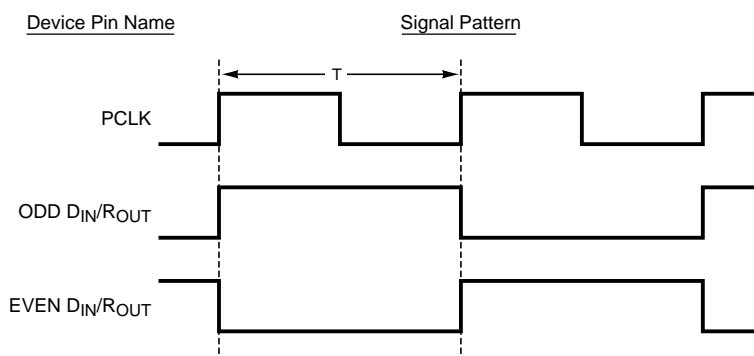


Figure 7. "Worst Case" Test Pattern

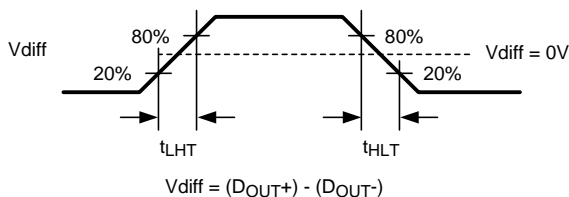


Figure 8. Serializer CML Output Load and Transition Times

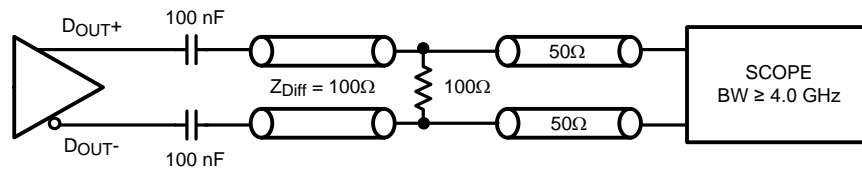


Figure 9. Serializer CML Output Load and Transition Times

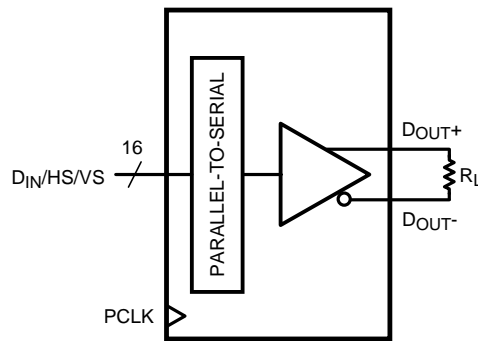


Figure 10. Serializer VOD DC Diagram

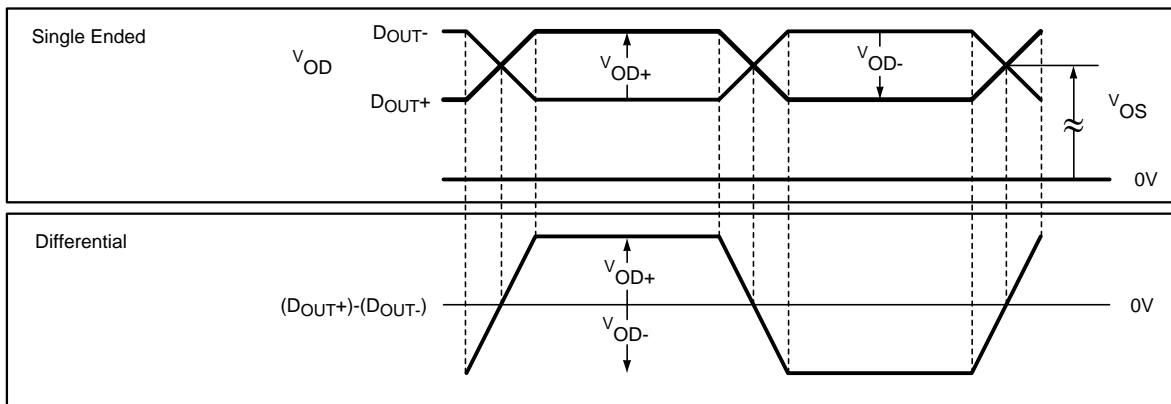


Figure 11. Serializer VOD DC Diagram

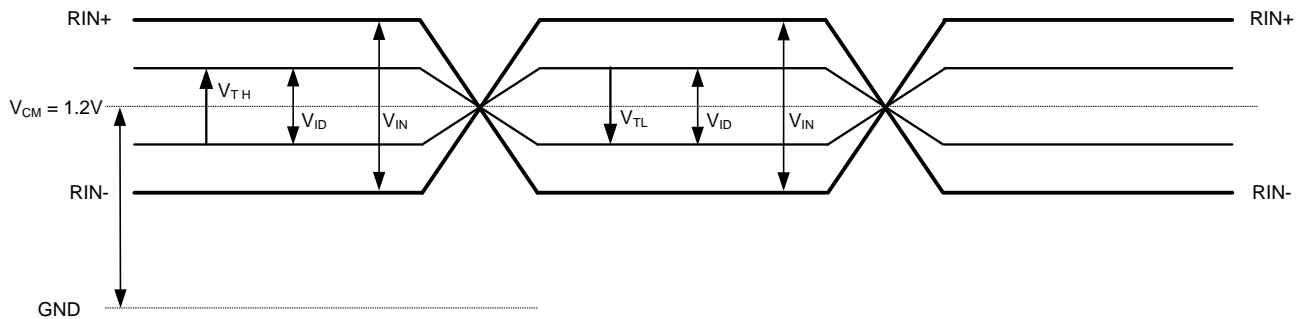


Figure 12. Differential VTH/VTL Definition Diagram

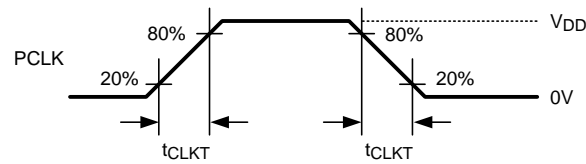


Figure 13. Serializer Input Clock Transition Times

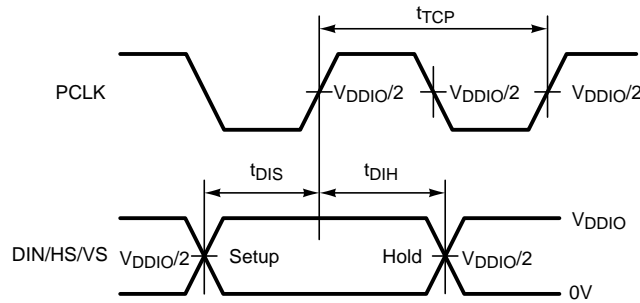


Figure 14. Serializer Setup/Hold Times

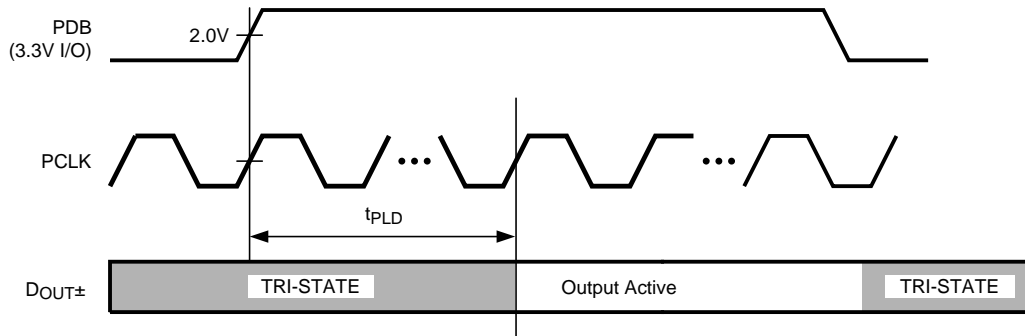


Figure 15. Serializer Data Lock Time

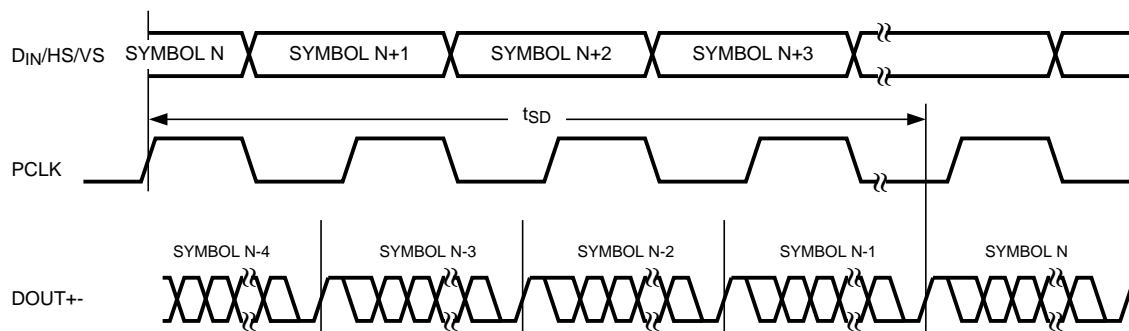


Figure 16. Serializer Delay

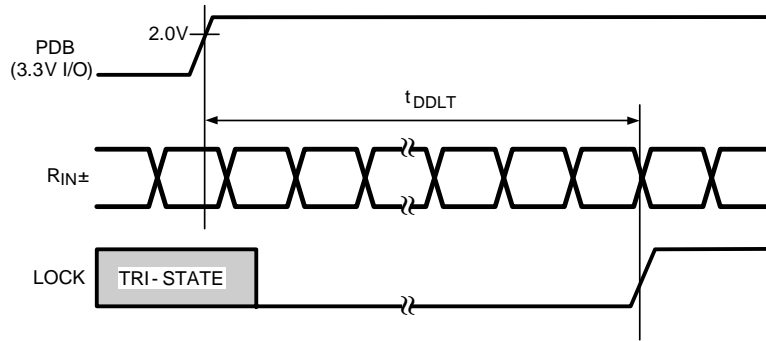


Figure 17. Deserializer Data Lock Time

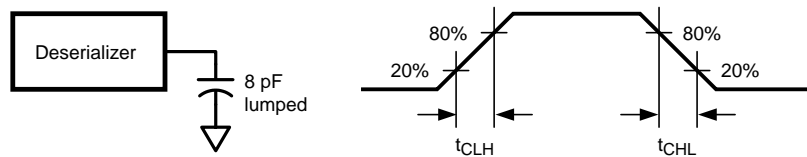


Figure 18. Deserializer LVCMOS Output Load and Transition Times

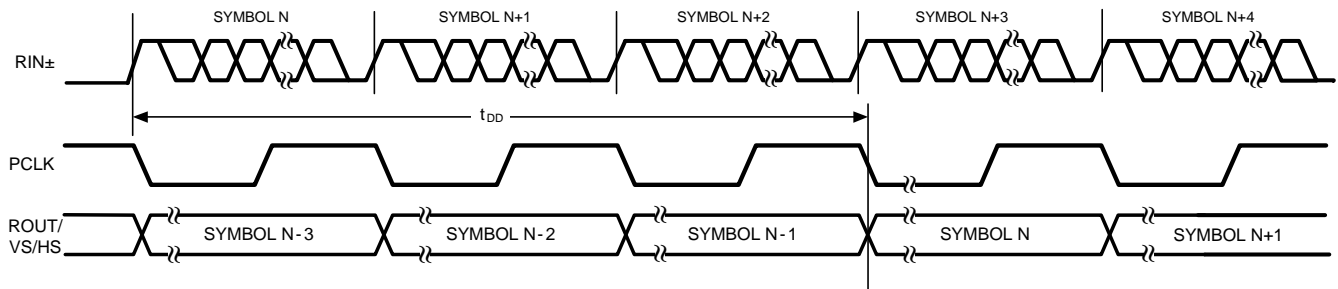


Figure 19. Deserializer Delay

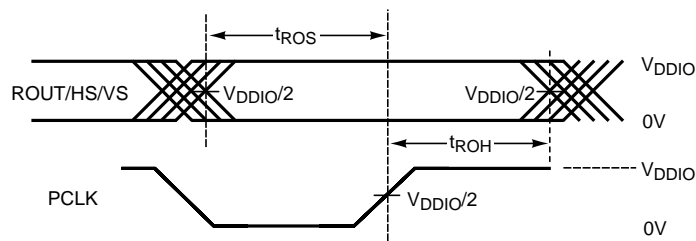


Figure 20. Deserializer Output Setup/Hold Times

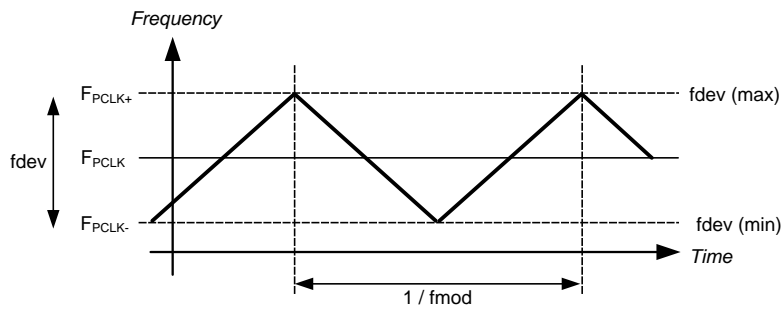


Figure 21. Spread Spectrum Clock Output Profile

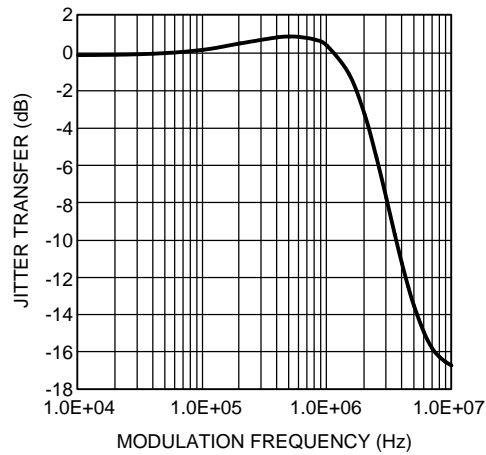


Figure 22. Typical Serializer Jitter Transfer Function at 43 MHz

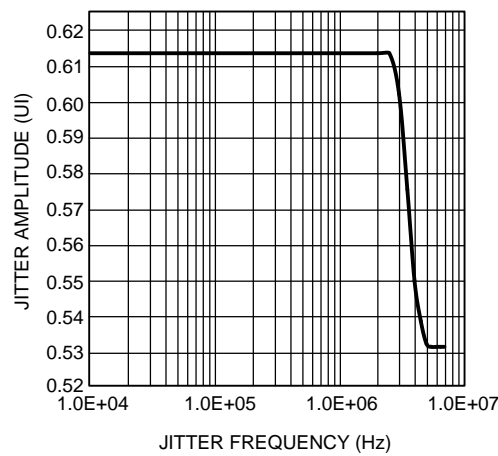


Figure 23. Typical Deserializer Input Jitter Tolerance Curve at 43 MHz

Table 1. DS92LX1621 Control Registers

Addr (Hex)	Name	Bits	Field	R/W	Default	Description
0	I ² C Device ID	7:1	DEVICE ID	RW	0x58	7-bit address of Serializer; 0x58h (1011_000X) default
		0	SER ID	RW	0	0: Device ID is from CAD 1: Register I ² C Device ID overrides CAD
1	Reset	7:3	RESERVED		0	Reserved
		2	STANDBY	RW	0	Standby mode control. Retains control register data. Supported only when M/S = 0 0: Enabled. Low-current Standby mode with wake-up capability. Suspends all clocks and functions. 1: Disabled. Standby and wake-up disabled
		1	DIGITAL RESET0	RW	0 self clear	1: Resets the device to default register values. Does not affect device I ² C Bus or Device ID
		0	DIGITAL RESET1	RW	0 self clear	1: Digital Reset, retains all register values
2	Reserved	7:0	RESERVED		0x20'h	Reserved
3	CRC Fault Tolerant Transmission	7	RX CRC CHECKER ENABLE	RW	1	Back Channel CRC Enable 0: Disable 1: Enable For proper CRC operation, control register 0x03h b[6] of the Deserializer must be enabled.
	CRC Fault Tolerant Transmission	6	TX CRC GEN ENABLE	RW	1	Forward Channel CRC Enable 0: Disable 1: Enable For proper CRC operation, control register 0x03h b[7] of the Deserializer must be enabled.
	VDDIO Control	5	VDDIO CONTROL	RW	1	Auto V _{DDIO} detect 0: Disable 1: Enable (auto detect mode)
	VDDIO Mode	4	VDDIO MODE	RW	1	VDDIO voltage set Only used when VDDIOCONTROL = 0 0: 1.8V 1: 3.3V
	I ² C Pass-Through	3	I ² C PASS-THROUGH	RW	1	I ² C Pass-Through Mode 0: Disabled 1: Enabled
	Reserved	2	RESERVED		0	Reserved
	PCLK_AUTO	1	PCLK_AUTO	RW	1	Switch over to internal 25 MHz oscillator clock in the absence of PCLK 0: Disable 1: Enable
TRFB	0	TRFB	RW	1	Pixel Clock Edge Select: 0: Parallel Interface Data is strobed on the Falling Clock Edge. 1: Parallel Interface Data is strobed on the Rising Clock Edge.	
4	CRC Transmission	7:6	RESERVED		01'b	Reserved
		5	CRC RESET	RW	0	1: CRC Reset. Clears CRC Error counter.
		4:0	RESERVED		0	Reserved

Table 1. DS92LX1621 Control Registers (continued)

Addr (Hex)	Name	Bits	Field	R/W	Default	Description
5	I ² C Bus Rate	7:0	I ² C BUS RATE	RW	0x40	I ² C ratio is determined by the following: f _{SCL} = 6.25 MHz / register value (in decimal) 0x40'h = ~100 kHz SCL (default) Note: Register values <0x32'h are NOT supported.
6	DES ID	7:1	DES DEV ID	RW	0x60	Deserializer Device ID = 0x60 (1100_000X) default
		0	RESERVED		0	Reserved
7	Slave ID	7:1	SLAVE DEV ID	RW	0	Slave Device ID. Must be programmed to communicate with remote slave device
		0	RESERVED		0	Reserved
8	Reserved	7:0	RESERVED	RW	0	Reserved
9	Reserved	7:0	RESERVED	RW	1	Reserved
A	CRC Errors	7:0	CRC ERROR B0	R	0	Number of CRC errors - 8 LSBs
B	CRC Errors	7:0	CRC ERROR B1	R	0	Number of CRC errors - 8 MSBs
C	Reserved	7:3	RESERVED		0	Reserved
	PCLK Detect	2	PCLK DETECT	R	0	1: Valid PCLK detected 0: Valid PCLK not detected
	CRC Check	1	DES ERROR	R	0	1: CRC error during communication with Deserializer
	Cable Link Detect Status	0	LINK DETECT	R	0	1: Cable link detected 0: Cable link not detected
D	GPIO[0] Config	7:4	RESERVED		1	Reserved
		3:2	RESERVED		0	Reserved
		1	GPIO0 DIR	RW	0	0: Output 1: Input
		0	GPIO0 EN	RW	1	0: TRI-STATE 1: Enabled
E	GPIO[1] Config	7:4	RESERVED		0	Reserved
		3:2	RESERVED		0	Reserved
		1	GPIO1 DIR	RW	0	0: Output 1: Input
		0	GPIO1 EN	RW	1	0: TRI-STATE 1: Enabled
F	GPIO[2] Config	7:4	RESERVED		0	Reserved
		3:2	RESERVED		0	Reserved
		1	GPIO2 DIR	RW	1	0: Output 1: Input
		0	GPIO2 EN	RW	1	0: TRI-STATE 1: Enabled
10	GPIO[3] Config	7:4	RESERVED		0	Reserved
		3:2	RESERVED		0	Reserved
		1	GPIO3 DIR	RW	1	0: Output 1: Input
		0	GPIO3 EN	RW	1	0: TRI-STATE 1: Enabled
11	GPIO[4] Config	7:4	RESERVED		0	Reserved
		3:2	RESERVED		0	Reserved
		1	GPIO4 DIR	RW	1	0: Output 1: Input
		0	GPIO4 EN	RW	1	0: TRI-STATE 1: Enabled

Table 1. DS92LX1621 Control Registers (continued)

Addr (Hex)	Name	Bits	Field	R/W	Default	Description
12	GPIO[5] Config	7:4	RESERVED		0	Reserved
		3:2	RESERVED		0	Reserved
		1	GPIO5 DIR	RW	1	0: Output 1: Input
		0	GPIO5 EN	RW	1	0: TRI-STATE 1: Enabled
13	General Purpose Control Reg	7:0	GPCR[7] GPCR[6] GPCR[5] GPCR[4] GPCR[3] GPCR[2] GPCR[1] GPCR[0]	RW	0	0: LOW 1: HIGH

Table 2. DS92LX1622 Control Registers

Addr (Hex)	Name	Bits	Field	R/W	Default	Description
0	I ² C Device ID	7:1	DEVICE ID	RW	0x60h	7-bit address of Deserializer; 0x60h (1100_000X) default
		0	DES ID	RW	0	0: Device ID is from CAD 1: Register I ² C Device ID overrides CAD
1	Reset	7:3	RESERVED		0	Reserved
		2	REM_WAKEUP	RW	0	Remote Wake-up Select 1: Enable. Generate remote wakeup signal automatically wake-up the Serializer in Standby mode 0: Disable. Puts the Serializer (M/S = 0) in Standby mode when Deserializer M/S = 1
		1	DIGITALRESET0	RW	0 self clear	1: Resets the device to default register values. Does not affect device I2C Bus or Device ID
		0	DIGITALRESET1	RW	0 self clear	1: Digital Reset, retains all register values
2	Reserved	7:6			0	Reserved
	Auto Clock	5	AUTO_CLOCK	RW	0	1: Output PCLK or Internal 25 MHz Oscillator clock 0: Only PCLK when valid PCLK present
	OSS Select	4	OSS_SEL	RW	0	Output Sleep State Select 0: Outputs = TRI-STATE, when LOCK = L 1: Outputs = LOW, when LOCK = L
	SSCG	3:0	SSCG		0	SSCG Select 0000: Normal Operation, SSCG OFF 0001: fmod (KHz) PCLK/2168, fdev ±0.50% 0010: fmod (KHz) PCLK/2168, fdev ±1.00% 0011: fmod (KHz) PCLK/2168, fdev ±1.50% 0100: fmod (KHz) PCLK/2168, fdev ±2.00% 0101: fmod (KHz) PCLK/1300, fdev ±0.50% 0110: fmod (KHz) PCLK/1300, fdev ±1.00% 0111: fmod (KHz) PCLK/1300, fdev ±1.50% 1000: fmod (KHz) PCLK/1300, fdev ±2.00% 1001: fmod (KHz) PCLK/868, fdev ±0.50% 1010: fmod (KHz) PCLK/868, fdev ±1.00% 1011: fmod (KHz) PCLK/868, fdev ±1.50% 1100: fmod (KHz) PCLK/868, fdev ±2.00% 1101: fmod (KHz) PCLK/650, fdev ±0.50% 1110: fmod (KHz) PCLK/650, fdev ±1.00% 1111: fmod (KHz) PCLK/650, fdev ±1.50%

Table 2. DS92LX1622 Control Registers (continued)

Addr (Hex)	Name	Bits	Field	R/W	Default	Description
3	CRC Fault Tolerant Transmission	7	Tx CRC CHECK ENABLE	RW	1	Back Channel CRC Enable 0: Disable 1: Enable For proper CRC operation, on Serailizer 0x03h b[6] control register must be Enabled.
		6	Rx CRC GEN ENABLE	RW	1	Foward Channel CRC Enable 0: Disable 1: Enable For proper CRC operation, on Serailizer 0x03h b[7] control register must be Enabled.
	VDDIO Control	5	VDDIO CONTROL	RW	1	Auto voltage control 0: Disable 1: Enable (auto detect mode)
	VDDIO Mode	4	VDDIO MODE	RW	0	VDDIO voltage set Only used when VDDIOCONTROL = 0 0: 1.8V 1: 3.3V
	I ² C Pass-Through	3	I ² C PASS-THROUGH	RW	1	I ² C Pass-Through Mode 0: Disabled 1: Enabled
	Auto ACK	2	AUTO ACK	RW	0	0: Disable 1: Enable
	CRC Reset	1	CRC RESET	RW	0	1: CRC reset
	RRFB	0	RRFB	RW	1	Pixel Clock Edge Select 0: Parallel Interface Data is strobed on the Falling Clock Edge 1: Parallel Interface Data is strobed on the Rising Clock Edge.
4	EQ Feature Control1	7:0	EQ	RW	0	00'h: ~0.0 dB 01'h: ~4.5 dB 03'h: ~6.5 dB 07'h: ~7.5 dB 0F'h: ~8.0 dB 1F'h: ~11.0 dB 3F'h: ~12.5 dB FF'h: ~14.0 dB
5	Reserved	7:0	RESERVED		0	Reserved
6	Reserved	7	RESERVED		0	Reserved
	SCL Prescale	6:4	SCL_PRESCALE		0	Prescales the SCL clock line when reading data byte from a slave device (M/S = 0) 000 : ~100 kHz SCL (default) 001 : ~125 kHz SCL 101 : ~11 kHz SCL 110 : ~33 kHz SCL 111 : ~50 kHz SCL Other values are NOT supported.
	Remote NACK	3	REM_NACK_TIMER	RW	1	Remote NACK Timer Enable In slave mode (MODE = 1) if bit is set the I2C core will automatically timeout when no acknowledge condition was detected. 1: Enable 0: Disable
	Remote NACK	2:0	NACK_TIMEOUT	RW	111'b	Remote NACK Timeout. 000: 2.0 ms 001: 5.2 ms 010: 8.6 ms 011: 11.8 ms 100: 14.4 ms 101: 18.4 ms 110: 21.6 ms 111: 25.0 ms

Table 2. DS92LX1622 Control Registers (continued)

Addr (Hex)	Name	Bits	Field	R/W	Default	Description
7	SER ID	7:1	SER DEV ID	RW	0x58h	Serializer Device ID = 0x58 (1011_000X) default
		0	RESERVED		0	Reserved
8	ID[0] Index	7:1	ID[0] INDEX	RW	0	Target slave Device ID slv_id1 [7:1]
		0	RESERVED		0	Reserved
9	ID[1] Index	7:1	ID[1] INDEX	RW	0	Target slave Device ID slv_id1 [7:1]
		0	RESERVED		0	Reserved
A	ID[2] Index	7:1	ID[2] INDEX	RW	0	Target slave Device ID slv_id2 [7:1]
		0	RESERVED		0	Reserved
B	ID[3] Index	7:1	ID[3] INDEX	RW	0	Target slave Device ID slv_id3 [7:1]
		0	RESERVED		0	Reserved
C	ID[4] Index	7:1	ID[4] INDEX	RW	0	Target slave Device ID slv_id4 [7:1]
		0	RESERVED		0	Reserved
D	ID[5] Index	7:1	ID[5] INDEX	RW	0	Target slave Device ID slv_id5 [7:1]
		0	RESERVED		0	Reserved
E	ID[6] Index	7:1	ID[6] INDEX	RW	0	Target slave Device ID slv_id6 [7:1]
		0	RESERVED		0	Reserved
F	ID[7] Index	7:1	ID[7] INDEX	RW	0	Target slave Device ID slv_id7 [7:1]
		0	RESERVED		0	Reserved
10	ID[0] Match	7:1	ID[0] MATCH	RW	0	Alias to match Device ID slv_id0 [7:1]
		0	RESERVED		0	Reserved
11	ID[1] Match	7:1	ID[1] MATCH	RW	0	Alias to match Device ID slv_id1 [7:1]
		0	RESERVED		0	Reserved
12	ID[2] Match	7:1	ID[2] MATCH	RW	0	Alias to match Device ID slv_id2 [7:1]
		0	RESERVED		0	Reserved
13	ID[3] Match	7:1	ID[3] MATCH	RW	0	Alias to match Device ID slv_id3 [7:1]
		0	RESERVED		0	Reserved.
14	ID[4] Match	7:1	ID[4] MATCH	RW	0	Alias to match Device ID slv_id4 [7:1]
		0	RESERVED		0	Reserved
15	ID[5] Match	7:1	ID[5] MATCH	RW	0	Alias to match Device ID slv_id5 [7:1]
		0	RESERVED		0	Reserved
16	ID[6] Match	7:1	ID[6] MATCH	RW	0	Alias to match Device ID slv_id6 [7:1]
		0	RESERVED		0	Reserved
17	ID[7] Match	7:1	ID[7] MATCH	RW	0	Alias to match Device ID slv_id7 [7:1]
		0	RESERVED		0	Reserved
18	Reserved	7:0	RESERVED		0	Reserved
19	Reserved	7:0	RESERVED		1	Reserved
1A	CRC Errors	7:0	CRC ERROR B0	R	0	Number of CRC errors 8 LSBs
1B	CRC Errors	7:0	CRC ERROR B1	R	0	Number of CRC errors 8 MSBs
1C	Reserved	7:3	RESERVED		0	Reserved
	CRC Check	2	SER ERROR	R	0	CRC error during communication with Serializer on Forward Channel
	Signal Detect Status	1		R	0	0: Active signal not detected 1: Active signal detected
	LOCK Pin Status	0		R	0	0: CDR/PLL Unlocked 1: CDR/PLL Locked

Table 2. DS92LX1622 Control Registers (continued)

Addr (Hex)	Name	Bits	Field	R/W	Default	Description
1D	GPIO[0] Config	7:3	RESERVED	RW	00010'b	Reserved
		2	GPIO0 SET	RW	1	1: Configured as GPIO 0: Configured as ROUT data (OSS_SEL controlled)
		1	GPIO0 DIR	RW	1	0: Output 1: Input
		0	GPIO0 EN	RW	1	0: TRI-STATE 1: Enabled
1E	GPIO[1] Config	7:3	RESERVED	RW	0	Reserved
		2	GPIO1 SET	RW	1	1: Configured as GPIO 0: Configured as ROUT data (OSS_SEL controlled)
		1	GPIO1 DIR	RW	1	0: Output 1: Input
		0	GPIO1 EN	RW	1	0: TRI-STATE 1: Enabled
1F	GPIO[2] Config	7:3	RESERVED	RW	0	Reserved
		2	GPIO2 SET	RW	0	1: Configured as GPIO 0: Configured as ROUT0 data (OSS_SEL controlled)
		1	GPIO2 DIR	RW	0	0: Output 1: Input
		0	GPIO2 EN	RW	1	0: TRI-STATE 1: Enabled
20	GPIO[3] Config	7:3	RESERVED	RW	0	Reserved
		2	GPIO3 SET	RW	0	1: Configured as GPIO 0: Configured as ROUT1 data (OSS_SEL controlled)
		1	GPIO3 DIR	RW	0	0: Output 1: Input
		0	GPIO3 EN	RW	1	0: Tri-state 1: Enabled
21	GPIO[4] Config	7:3	RESERVED	RW	0	Reserved
		2	GPIO4 SET	RW	0	1: Configured as GPIO 0: Configured as ROUT2 data (OSS_SEL controlled)
		1	GPIO4 DIR	RW	0	0: Output 1: Input
		0	GPIO4 EN	RW	1	0: TRI-STATE 1: Enabled
22	GPIO[5] Config	7:3	RESERVED	RW	0	Reserved
		2	GPIO5 SET	RW	0	1: Configured as GPIO 0: Configured as ROUT3 data (OSS_SEL controlled)
		1	GPIO5 DIR	RW	0	0: Output 1: Input
		0	GPIO5 EN	RW	1	0: TRI-STATE 1: Enabled
23	General Purpose Control Reg	7:0	GPCR[7] GPCR[6] GPCR[5] GPCR[4] GPCR[3] GPCR[2] GPCR[1] GPCR[0]	RW	0	0: LOW 1: HIGH
24	BIST	0	BIST_EN	RW	0	BIST Enable 0: Normal operation 1: Bist Enable
25	BIST_ERR	7:0	BIST_ERR	R	0	Bist Error Counter

Table 2. DS92LX1622 Control Registers (continued)

Addr (Hex)	Name	Bits	Field	R/W	Default	Description
26	Remote Wake Enable	7:6	REM_WAKEUP_EN	RW	0	11: Enable remote wake up mode 00: Normal operation mode Other values are NOT supported.
		5:0	RESERVED	RW	0	Reserved
27	BCC	7:0	BCC	RW	0	0xE0: Normal Operation Mode. Users MUST program this value.

FUNCTIONAL DESCRIPTION

The DS92LX1621 / DS92LX1622 Channel Link III chipset is intended for camera applications. The Serializer/Deserializer chipset operates from a 10 MHz to 50 MHz pixel clock frequency. The DS92LX1621 transforms a 16-bit wide parallel LVCMOS data bus along with a bi-directional control bus into a single high-speed differential pair. The high speed serial bit stream contains an embedded clock and DC-balance information which enhances signal quality to support AC coupling. The DS92LX1622 receives the single serial data stream and converts it back into a 16-bit wide parallel data bus together with the bi-directional control bus.

The bi-directional channel function of the DS92LX1621 / DS92LX1622 provides bi-directional communication between the image sensor and the host device (FPGA, frame grabber, display, etc.). The integrated back channel transfers data bi-directionally over the same differential pair used for video data interface. This interface offers advantages over other chipsets by eliminating the need for additional wires for programming and control. The bi-directional control channel is controlled via an I²C port. The bi-directional control channel offers asynchronous communication and is not dependent on video blanking intervals.

SERIAL FRAME FORMAT

The DS92LX1621 / DS92LX1622 chipset will transmit and receive a pixel of data in the following format:

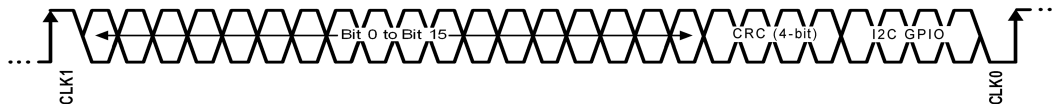


Figure 24. Serial Bitstream for 28-bit Symbol

The High Speed Forward Channel (HS_FC) is a 28-bit symbol composed of 16 bits of data containing camera data & control information transmitted from Serializer to Deserializer. CLK1 and CLK0 represent the embedded clock in the serial stream. CLK1 is always HIGH and CLK0 is always LOW. This data payload is optimized for signal transmission over an AC coupled link. Data is randomized, balanced and scrambled. The data payload may be checked using a 4-bit CRC function. The CRC monitors the link integrity of the serialized data and reports when an error condition is detected.

The bi-directional control data is transferred over the single serial link along with the high-speed forward data. This architecture provides a full duplex low speed forward and backward path across the serial link together with a high speed forward channel without the dependence of the video blanking phase.

DESCRIPTION OF BI-DIRECTIONAL CONTROL BUS AND I²C MODES

The I²C compatible interface allows programming of the DS92LX1621, DS92LX1622, or an external remote device (such as a camera) through the bi-directional control channel. Register programming transactions to/from the DS92LX1621 / DS92LX1622 chipset are employed through the clock (SCL) and data (SDA) lines. These two signals have open drain I/Os and both lines must be pulled-up to VDDIO by external resistor. Figure 6 shows the timing relationships of the clock (SCL) and data (SDA) signals. Pull-up resistors or current sources are required on the SCL and SDA busses to pull them high when they are not being driven low. A logic zero is transmitted by driving the output low. A logic high is transmitted by releasing the output and allowing it to be pulled-up externally. The appropriate pull-up resistor values will depend upon the total bus capacitance and operating speed. The DS92LX1621 / DS92LX1622 I²C bus data rate supports up to 100 kbps according to I²C specification.

To start any data transfer, the DS92LX1621 / DS92LX1622 must be configured in the proper I²C mode. Each device can function as an I²C slave proxy or master proxy depending on the mode determined by M/S pin. The Ser/Des interface acts as a virtual bridge between Master controller (MCU) and the remote device. When the M/S pin is set to HIGH, the device is treated as a slave proxy; acts as a slave on behalf of the remote slave. When addressing a remote peripheral or Serializer/ Deserializer (not wired directly to the MCU), the slave proxy will forward any byte transactions sent by the Master controller to the target device. When M/S pin is set to LOW, the device will function as a master proxy device; acts as a master on behalf of the I²C master controller. Note that the devices must have complementary settings for the M/S configuration. For example, if the Serializer M/S pin is set to HIGH then the Deserializer M/S pin must be set to LOW and vice-versa.

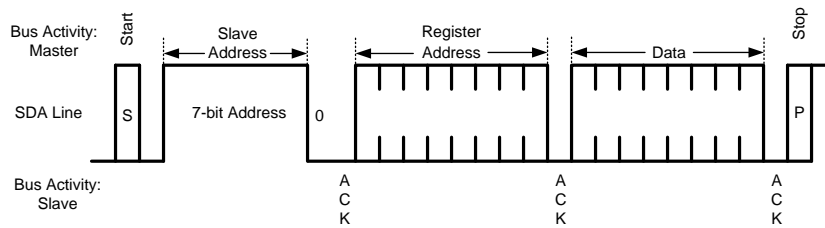


Figure 25. Write Byte

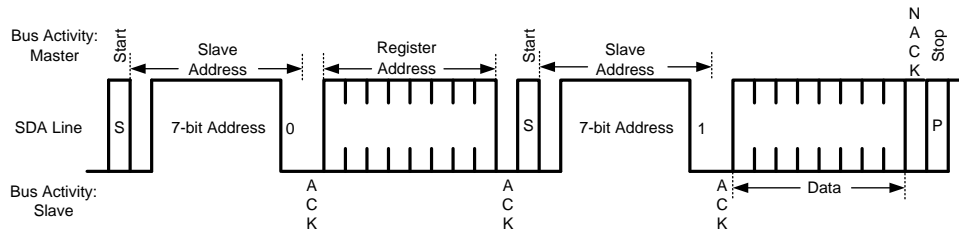


Figure 26. Read Byte

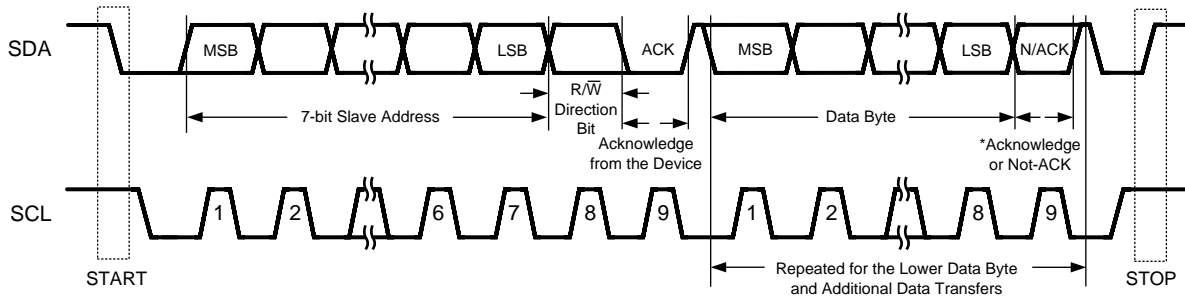


Figure 27. Basic Operation

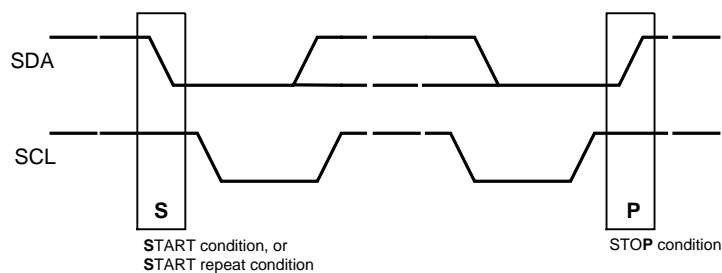


Figure 28. START and STOP Conditions

SLAVE CLOCK STRETCHING

In order to communicate and synchronize with remote devices on the I²C bus through the bi-directional control channel, slave clock stretching must be supported by the I²C master controller/MCU. The chipset utilizes bus clock stretching (holding the SCL line low) during data transmission; where the I²C slave pulls the SCL line low prior to the 9th clock of every I²C data transfer (before the ACK signal). The slave device will not control the clock and only stretches it until the remote peripheral has responded; which is typically in the order of 12 μs (typical).

CAD PIN ADDRESS DECODER

The CAD pin is used to decode and set the physical slave address of the Serializer/Deserializer (I²C only) to allow up to six devices on the bus using only a single pin. The pin sets one of six possible addresses for each Serializer/Deserializer device. The pin must be pulled to VDD (1.8V, NOT VDDIO)) with a 10 kΩ resistor and a pull down resistor (RID) of the recommended value to set the physical device address. The recommended maximum resistor tolerance is 0.1% worst case (0.2% total tolerance).

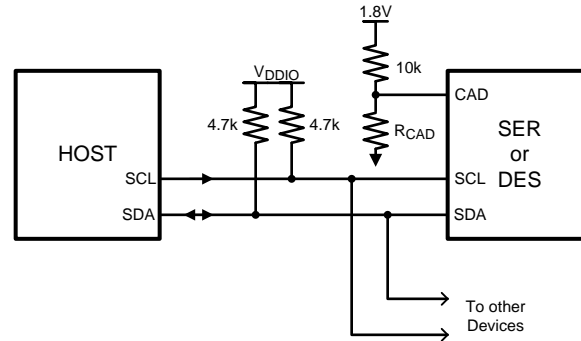


Figure 29. Serial Control Bus Connection

Table 3. CAD Resistor Value - DS92LX1621 Ser

Resistor RID Ω (±0.1%)	Address 7'b	Address 8'b 0 appended (WRITE)
0 GND	7b' 101 1000 (h'58)	8b' 1011 0000 (h'B0)
2.0k	7b' 101 1001 (h'59)	8b' 1011 0010 (h'B2)
4.7k	7b' 101 1010 (h'5A)	8b' 1011 0100 (h'B4)
8.2k	7b' 101 1011 (h'5B)	8b' 1011 0110 (h'B6)
12.1k	7b' 101 1100 (h'5C)	8b' 1011 1000 (h'B8)
39.0k	7b' 101 1110 (h'5E)	8b' 1011 1100 (h'BC)

Table 4. CAD Resistor Value - DS92LX1622 Des

Resistor RID Ω (±0.1%)	Address 7'b	Address 8'b 0 appended (WRITE)
0 GND	7b' 110 0000 (h'60)	8b' 1100 0000 (h'C0)
2.0k	7b' 110 0001 (h'61)	8b' 1100 0010 (h'C2)
4.7k	7b' 110 0010 (h'62)	8b' 1100 0100 (h'C4)
8.2k	7b' 110 0011 (h'63)	8b' 1101 0110 (h'C6)
12.1k	7b' 110 0100 (h'64)	8b' 1101 1000 (h'C8)
39.0k	7b' 110 0110 (h'66)	8b' 1100 1100 (h'CC)

CAMERA MODE OPERATION

In Camera mode, I²C transactions originate from the Master controller at the Deserializer side. The I²C slave core in the Deserializer will detect if a transaction is intended for the Serializer or a slave at the Serializer. Commands are sent over the bi-directional control channel to initiate the transactions. The Serializer will receive the command and generate an I²C transaction on its local I²C bus. At the same time, the Serializer will capture the response on the I²C bus and return the response on the forward channel link. The Deserializer parses the response and passes the appropriate response to the Deserializer I²C bus.

To configure the devices for camera mode operation, set the Serializer M/S pin to LOW and the Deserializer M/S pin to HIGH. Before initiating any I²C commands, the Deserializer needs to be programmed with the target slave device addresses and Serializer device address. SER_DEV_ID Register 0x07h sets the Serializer device address and SLAVE_x_MATCH/SLAVE_x_INDEX registers 0x08h–0x17h set the remote target slave addresses. In slave mode the address register is compared with the address byte sent by the I²C master. If the addresses are equal to any of registers values, the I²C slave will acknowledge and hold the bus to propagate the transaction to the target device otherwise it returns no acknowledge.

DISPLAY MODE OPERATION

In Display mode, I²C transactions originate from the controller attached to the Serializer. The I2C slave core in the Serializer will detect if a transaction targets (local) registers within the Serializer or the (remote) registers within the Deserializer or a remote slave connected to the I²C master interface of the Deserializer. Commands are sent over the forward channel link to initiate the transactions. The Deserializer will receive the command and generate an I²C transaction on its local I2C bus. At the same time, the Deserializer will capture the response on the I²C bus and return the response as a command on the bi-directional control channel. The Serializer parses the response and passes the appropriate response to the Serializer I²C bus.

The physical device ID of the I²C slave in the Serializer is determined by the analog voltage on the ID[x] input. It can be reprogrammed by using the DEVICE_ID register and setting the bit . The device ID of the logical I2C slave in the Deserializer is determined by programming the DES ID in the Serializer. The state of the CAD] input on the Deserializer is used to set the device ID. The I²C transactions between Ser/Des will be bridged between the host controller to the remote slave.

To configure the devices for display mode operation, set the Serializer M/S pin to HIGH and the Deserializer M/S pin to LOW. Before initiating any I²C commands, the Serializer needs to be programmed with the target slave device address and Serializer device address. DES_DEV_ID Register 0x06h sets the Deserializer device address and SLAVE_DEV_ID register 0x7h sets the remote target slave address. If the I²C slave address matches any of registers values, the I²C slave will hold the transaction allowing read or write to target device. Note: In Display mode operation, registers 0x08h–0x17h on Deserializer must be reset to 0x00.

CRC (CYCLIC REDUNDANCY CHECK)

A 4-bit CRC per symbol is reserved for checking the link integrity during transmission. The reporting status pin (PASS) is provided on the Deserializer side, which flags any mismatch of data transmitted to and from the remote device. The Deserializer's PLL must first be locked (LOCK pin is HIGH) to ensure the PASS status is valid. This error detection handling generates an interrupt signal onto the PASS output pin; notifying the host controller as soon as any errors are identified. When an error occurs, the PASS will asserts LOW. An adjustable interrupt threshold register is also available for managing the data flow.

ERROR DETECTION

The DS92LX1621 / DS92LX1622 chipset provides several error detection operations for ensuring data integrity in long distance transmission and reception. The data error detection function offers user flexibility and usability of performing bit-by-bit and data transmission error checking. The error detection operating modes support data validation of the following signals:

- Bi-directional Control Channel control data detection across serial link
- Control VSYNC and HSYNC signals across serial link
- Parallel video/pixel data across serial link

PROGRAMMABLE CONTROLLER

An integrated I²C slave controller is embedded in each of the DS92LX1621 Serializer and DS92LX1622 Deserializer. It must be used to access and program the extra features embedded within the configuration registers. Refer to [Table 1](#) and [Table 2](#) for details of control registers.

MULTIPLE DEVICE ADDRESSING

Some applications require multiple camera devices with the same fixed address to be accessed on the same I²C bus. The DS92LX1621 / DS92LX1622 provide slave ID matching/aliasing to generate different target slave addresses when connecting more than two identical devices together on the same bus. This allows the slave devices to be independently addressed. Each device connected to the bus is addressable through a unique ID by programming of the SLAVE_ID_MATCH register on Deserializer. This will remap the SLAVE_ID_MATCH address to the target SLAVE_ID_INDEX address; up to 8 ID indexes are supported. The host controller must keep track of the list of I²C peripherals in order to properly address the target device. In a camera application, the microcontroller is located on the Deserializer side. In this case, the microcontroller programs the slave address matching registers and handles all data transfers to and from all slave I²C devices. This is useful in the event where camera modules are removed or replaced. For example in the configuration shown in [Figure 30](#):

- Host device (FPGA, frame grabber, etc.) is the I²C master and has an I²C master interface
- The I²C protocol is bridged from DES A to SER A and from DES B to SER B
- The I²C interfaces in SER A and SER B are both master interfaces

If the master controller transmits I²C slave 0xA0, the DES A address 0xE0 will forward the transaction to remote Camera A. If the controller transmits slave address 0xA2, the DES B 0xE2 will recognize that 0xA2 is mapped to 0xA0 and will be transmitted to the remote Camera B. If controller sends command to address 0xB2, the DES B 0xE2 will forward transaction to slave device 0xB0.

The Slave ID index/match is supported only in the camera mode (SER: M/S pin = L; DES: M/S pin = H). For Multiple device addressing in display mode (SER: M/S pin = H; DES: M/S pin = L), use the I²C pass through function.

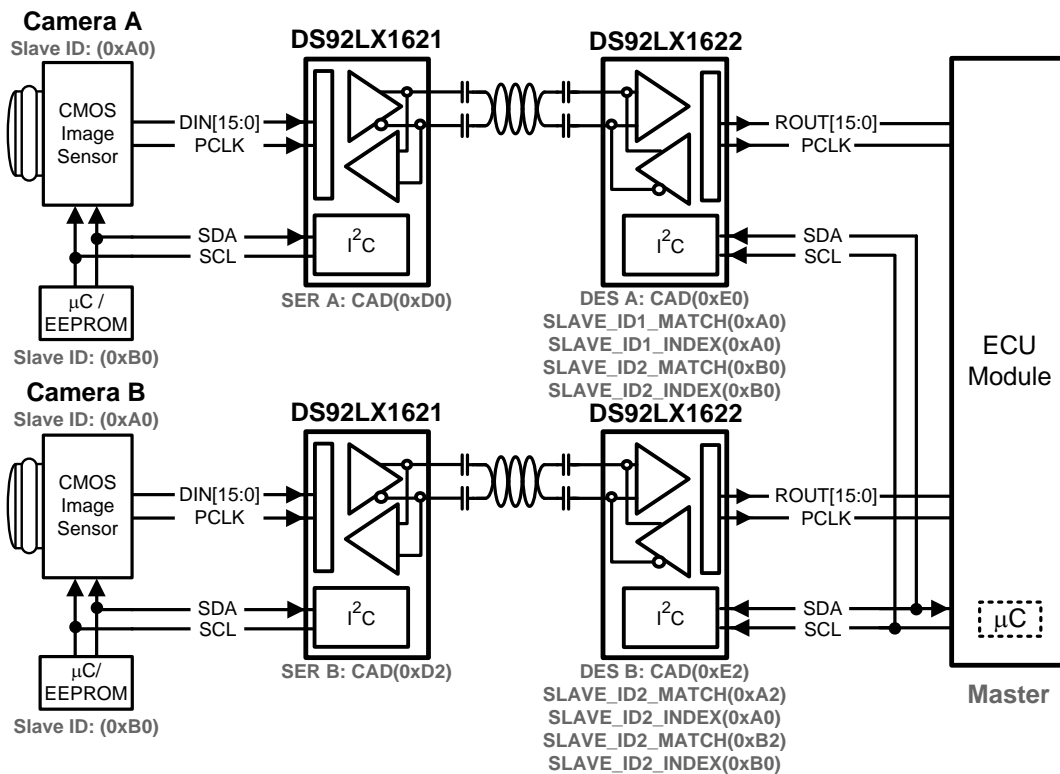


Figure 30. Multiple Device Addressing

I²C PASS THROUGH

I²C pass-through provides an alternative means to independently address slave devices. The mode enables or disables I²C bidirectional control channel communication to the remote I²C bus. This option is used to determine whether or not an I²C instruction is to be transferred over to the remote I²C device. When enabled, the I²C bus traffic will continue to pass through and will be received by I²C devices downstream. If disabled, I²C commands will be blocked to the remote I²C device. The pass through function also provides access and communication to only specific devices on the remote bus. The feature is effective for both Camera mode and Display mode.

For example in the configuration shown in [Figure 31](#):

If master controller transmits I²C transaction for address 0xA0, the SER A with I²C pass through enabled will transfer I²C commands to remote Camera A. The SER B with I²C pass through disabled, any I²C commands will be bypassed on the I²C bus to Camera B.

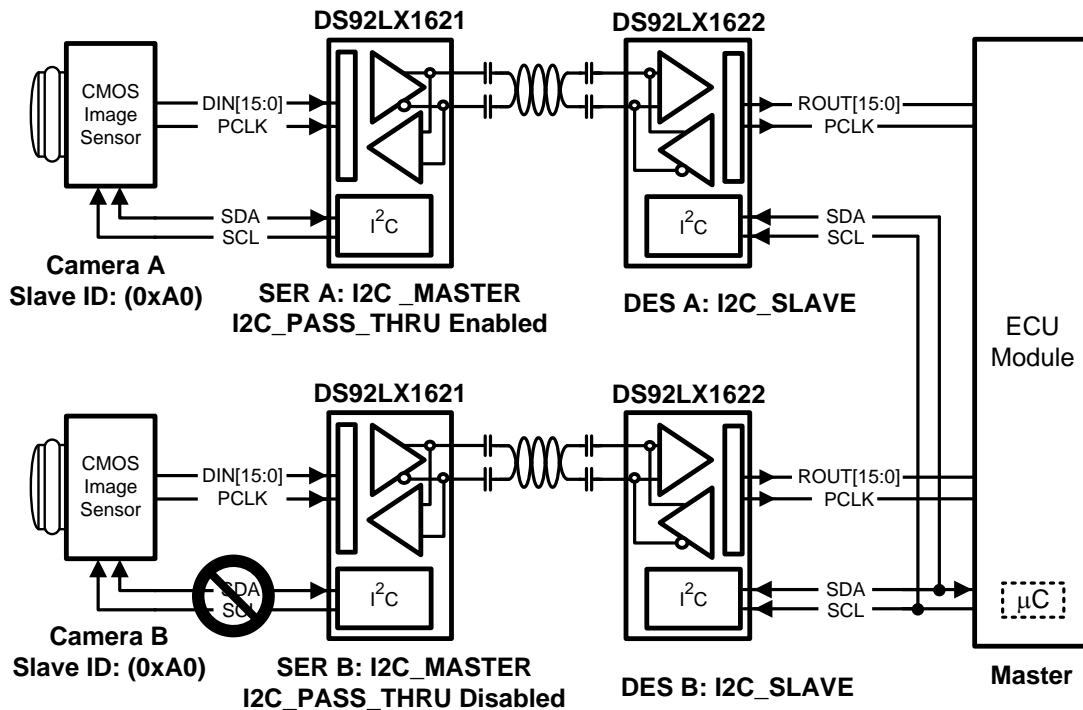


Figure 31. I²C Pass Through

SYNCHRONIZING MULTIPLE CAMERAS

For applications requiring multiple cameras for frame-synchronization, it is recommended to utilize the General Purpose Input/Output (GPIO) pins to transmit control signals to synchronize multiple cameras together. To synchronize the cameras properly, the system controller needs to provide a field sync output (such as a vertical or frame sync signal) and the cameras must be set to accept an auxiliary sync input. The vertical synchronize signal corresponds to the start and end of a frame and the start and end of a field. Note this form of synchronization timing relationship has a non-deterministic latency. After the control data is reconstructed from the bi-directional control channel, there will be a time variation of the GPIO signals arriving at the different target devices (between the parallel links). The maximum latency delta (t_1) of the GPIO data transmitted across multiple links is 25 μ s.

Note: The user must verify that the timing variations between the different links are within their system and timing specifications.

For example in the configuration shown in [Figure 32](#):

The maximum time (t_1) between the rising edge of GPIO (i.e. sync signal) arriving at Camera A and Camera B is 25 μ s.

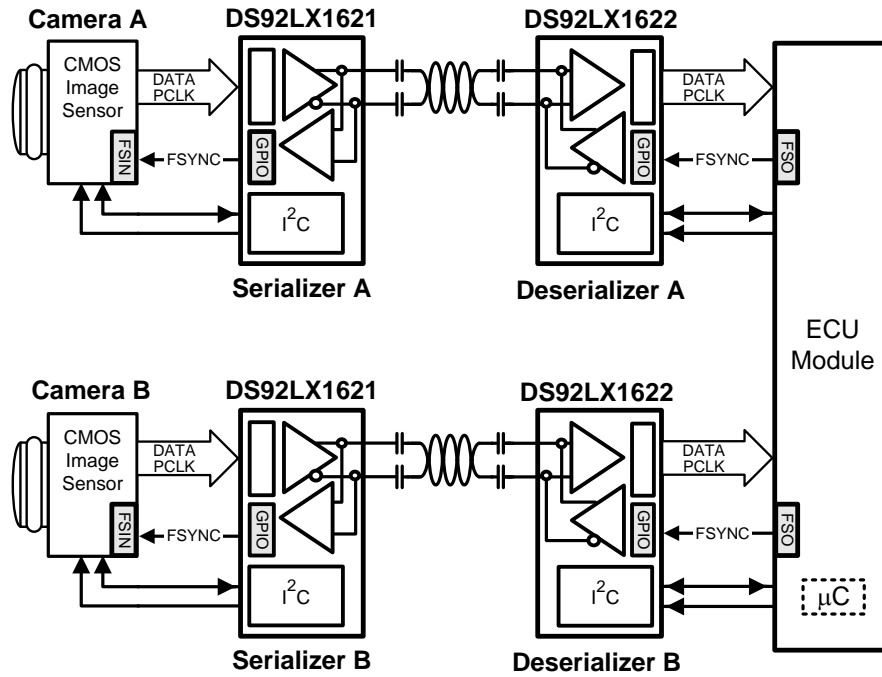


Figure 32. Synchronizing Multiple Cameras

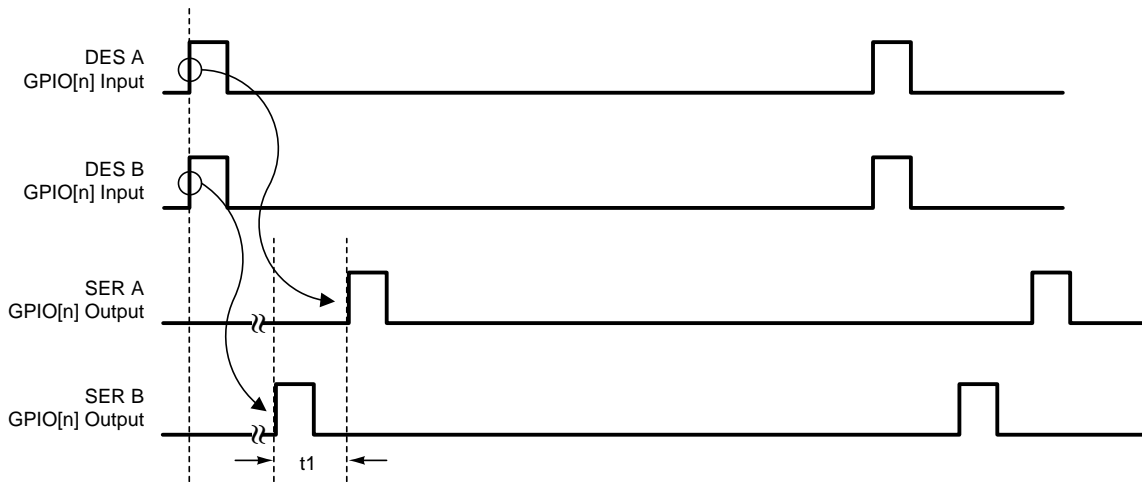


Figure 33. GPIO Delta Latency

GENERAL PURPOSE I/O (GPIO)

The DS92LX1621 / DS92LX1622 has up to 6 GPIO (2 dedicated and 4 programmable). GPIO[0] and GPIO[1] are always available and GPIO[2:5] are available depending on the parallel data bus size. DIN/ROUT[0:3] can be programmed into GPIOs (GPIO[2:5]) when the parallel data bus is less than 12 bits wide (10-bit data + HS,VS). Each GPIO can be configured as either an input or output port. The GPIO maximum switching rate is up to 66 kHz when configured for communication between Deserializer GPI to Serializer GPO. Whereas data flow configured for communication between Serializer GPI to Deserializer GPO is limited by the maximum data rate of the PCLK.

AT-SPEED BIST (BISTEN, PASS)

An optional AT SPEED Built in Self Test (BIST) feature supports at speed testing of the high-speed serial and the bidirectional control channel link. Control pins at the Deserializer are used to enable the BIST test mode and allow the system to initiate the test and set the duration. A HIGH on PASS pin indicates that all payloads received during the test were error free during the BIST duration test. A LOW on this pin at the conclusion of the test indicates that one or more payloads were detected with errors.

The BIST duration is defined by the width of BISTEN. BIST starts when Deserializer LOCK goes HIGH and BISTEN is set HIGH. BIST ends when BISTEN goes LOW. Any errors detected after the BIST Duration are not included in PASS logic. Note: AT-SPEED BIST is only available in the Camera mode and not the Display mode.

The following diagram shows how to perform system AT SPEED BIST:

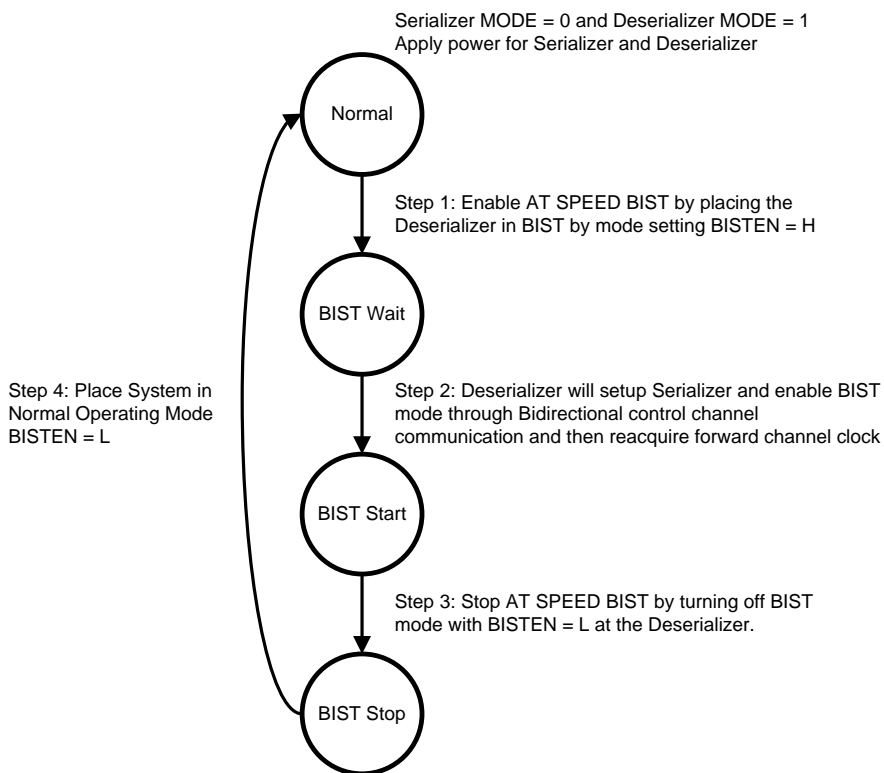


Figure 34. AT-SPEED BIST System Flow Diagram

Step 1: Place the Deserializer in BIST Mode.

Serializer and Deserializer power supply must be supplied. Enable the AT SPEED BIST mode on the Deserializer by setting the BISTEN pin High. The DS92LX1622 GPIO[1:0] pins are used to select the PCLK frequency of the on-chip oscillator for the BIST test on high speed data path.

Table 5. BIST Oscillator Frequency Select

DES GPIO [1:0]	Oscillator Source	min (MHz)	typ (MHz)	max (MHz)
00	External PCLK	10		50
01	Internal		50	
10	Internal		25	
11	Internal		12.5	

The Deserializer GPIO[1:0] set to 00 will bypass the on-chip oscillator and an external oscillator to Serializer PCLK input is required. This allows the user to operate BIST under different frequencies other than the predefined ranges.

Step 2: Enable AT SPEED BIST by placing the Serializer into BIST mode.

The deserializer will communicate through the back-channel to configure Serializer into BIST mode. Once the BIST mode is set, the Serializer will initiate BIST transmission to the Deserializer.

Wait 10 ms for Deserializer to acquire lock and then monitor the LOCK pin transition from LOW to HIGH. At this point, AT SPEED BIST is operational and the BIST process has begun. The Serializer will start transfer of an internally generated PRBS data pattern through the high speed serial link. This pattern traverses across the interconnecting link to the Deserializer. Check the status of the PASS pin; a HIGH indicates a pass, a LOW indicates a fail. A fail will stay LOW for ½ a clock cycle. If two or more bits fail in a row the PASS pin will toggle ½ clock cycle HIGH and ½ clock cycle low. The user can use the PASS pin to count the number of fails on the high speed link. In addition, there is a defined SER and DES register that will keep track of the accumulated error count. The Serializer DS92LX1621 GPIO[0] pin will be assigned as a PASS flag error indicator for the bi-directional control channel link.

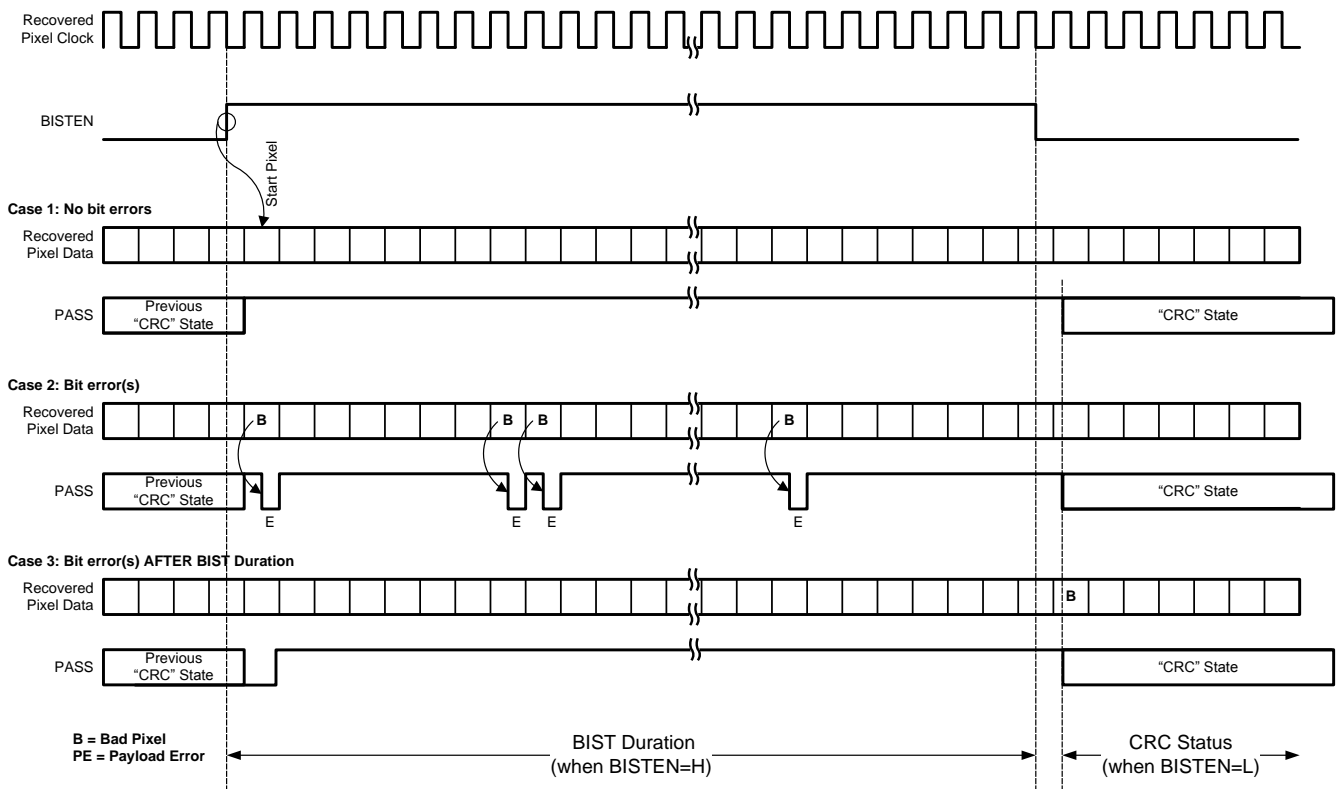


Figure 35. BIST Timing Diagram

Step 3: Stop at SPEED BIST by turning off BIST mode in the Deserializer to determine Pass/Fail.

To end BIST, the system must pull BISTEN pin of the Deserializer LOW. The BIST duration is fully defined by the BISTEN width and thus the Bit Error Rate is determined by how long the system holds BISTEN HIGH.

$$\frac{\text{BIST Duration (s)}}{1 \text{ Pixel period (ns)} \times \text{Total Bits}} = \text{BIST Duration (s)} \times \frac{f_{\text{pixel}} \text{ (MHz)}}{\text{Pixel}} \times \text{Total Pixels Transmitted} = \text{Total Bits Transmitted}$$

$$\begin{aligned} \bullet \bullet \text{ Bit (Pixel) Error Rate (for passing BIST)} &= [\text{Total Bits Transmitted}]^{-1} \\ &= [\text{Total Bits Transmitted} \times \text{Bits/Pixel}]^{-1} \end{aligned}$$

Figure 36. BIST BER Calculation

For instance, if BISTEN is held HIGH for 1 second and the PCLK is running at 43 MHz with 16 bpp, then the Bit Error Rate is no better than 1.46E-9.

Step 4: Place system in Normal Operating Mode by disabling BIST at the Serializer.

Once Step 3 is complete, AT SPEED BIST is over and the Deserializer is out of BIST mode. To fully return to Normal mode, apply Normal input data into the Serializer.

Any PASS result will remain unless it is changed by a new BIST session or cleared by asserting and releasing PDB. The default state of PASS after a PDB toggle is HIGH.

It is important to note that AT SPEED BIST will only determine if there is an issue on the link that is not related to the clock and data recovery of the link (whose status is flagged with LOCK pin).

LVC MOS VDDIO OPTION

1.8V or 3.3V SER Inputs and DES Outputs are user configurable to provide compatibility with 1.8V and 3.3V system interfaces.

REMOTE WAKE UP (Camera Mode)

After initial power up, the SER is in a low-power Standby mode. The DES (controlled by host controller) 'Remote Wake-up' register allows the DES side to generate a signal across the link to remotely wake-up the SER. Once the SER detects the wake-up signal, the SER switches from Standby mode to active mode. In active mode, the SER locks onto PCLK input (if present), otherwise the on-chip oscillator is used as the input clock source. Note the host controller should monitor the DES LOCK pin and confirm LOCK = H before performing any I²C communication across the link.

For Remote Wake-up to function properly:

- The chipset needs to be configured in Camera mode: SER M/S = 0 and DES M/S = 1
- The SER expects remote wake-up by default at power on.
- Configure the control channel driver of the DES to be in remote wake up mode by setting DES register 0x26 to 0xC0.
- Perform remote wake up on SER by setting DES register 0x01 b[2] to 1.
- Return the control channel driver of the DES to the normal operation mode by setting DES register 0x26 to 0.

The SER can also be put into standby mode by programming the DES remote wake up control register 0x01 b[2] REM_WAKEUP to 0.

POWERDOWN

The SER has a PDB input pin to ENABLE or Powerdown the device. The modes can be controlled by the host and is used to disable the link to save power when the remote device is not operational. An auto mode is also available. In this mode, the PDB pin is tied HIGH and the SER switches over to an internal oscillator when the PCLK stops or not present. When a PCLK starts again, the SER will then lock to the valid input PCLK and transmits the data to the DES. In powerdown mode, the high-speed driver outputs are static (HIGH).

The DES has a PDB input pin to ENABLE or Powerdown the device. This pin can be controlled by the system and is used to disable the DES to save power. An auto mode is also available. In this mode, the PDB pin is tied HIGH and the DES will enter powerdown when the serial stream stops. When the serial stream starts up again, the DES will lock to the input stream and assert the LOCK pin and output valid data. In powerdown mode, the Data and PCLK outputs are set by the OSS_SEL control register.

POWER UP REQUIREMENTS AND PDB PIN

It is required to delay and release the PDB input signal after VDD (VDDn and VDDIO) power supplies have settled to the recommended operating voltages. A external RC network can be connected to the PDB pin to ensure PDB arrives after all the VDD have stabilized.

SIGNAL QUALITY ENHANCERS

Des - Receiver Input Equalization (EQ)

The receiver inputs provided input equalization filter in order to compensate for loss from the media. The level of equalization is controlled via register setting.

EMI REDUCTION

Des - Receiver Staggered Output

The Receiver staggered outputs allows for outputs to switch in a random distribution of transitions within a defined window. Outputs transitions are distributed randomly. This minimizes the number of outputs switching simultaneously and helps to reduce supply noise. In addition it spreads the noise spectrum out reducing overall EMI.

Des Spread Spectrum Clocking Compatibility

The DS92LX1622 parallel data and clock outputs have programmable SSCG ranges from 9 kHz–66 kHz and $\pm 0.5\%$ – $\pm 2\%$ from 20 MHz to 50 MHz. The modulation rate and modulation frequency variation of output spread is controlled through the SSC control registers.

PIXEL CLOCK EDGE SELECT (TRFB/RRFB)

The TRFB/RRFB selects which edge of the Pixel Clock is used. For the SER, this register determines the edge that the data is latched on. If TRFB register is 1, data is latched on the Rising edge of the PCLK. If TRFB register is 0, data is latched on the Falling edge of the PCLK. For the DES, this register determines the edge that the data is strobed on. If RRFB register is 1, data is strobed on the Rising edge of the PCLK. If RRFB register is 0, data is strobed on the Falling edge of the PCLK.

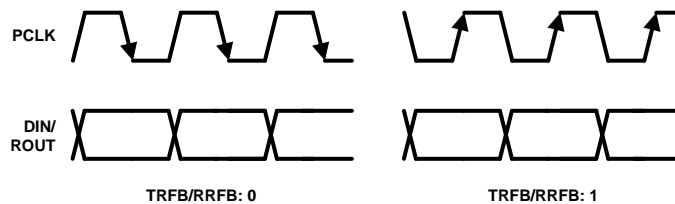


Figure 37. Programmable PCLK Strobe Select

Applications Information

AC COUPLING

The SER/DES supports only AC-coupled interconnects through an integrated DC balanced decoding scheme. To use the device in an AC-coupled application, insert external AC coupling capacitors in series in the Channel Link III signal path as illustrated in Figure 38.

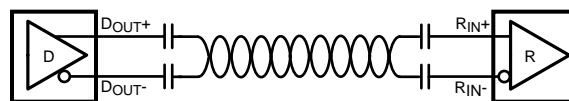


Figure 38. AC-Coupled Application

For high-speed Channel Link III transmissions, the smallest available package should be used for the AC coupling capacitor. This will help minimize degradation of signal quality due to package parasitics. The most common used capacitor value for the interface is 0.1 μ F.

TYPICAL APPLICATION CONNECTION

Figure 39 shows a typical connection of the DS92LX1621 Serializer.

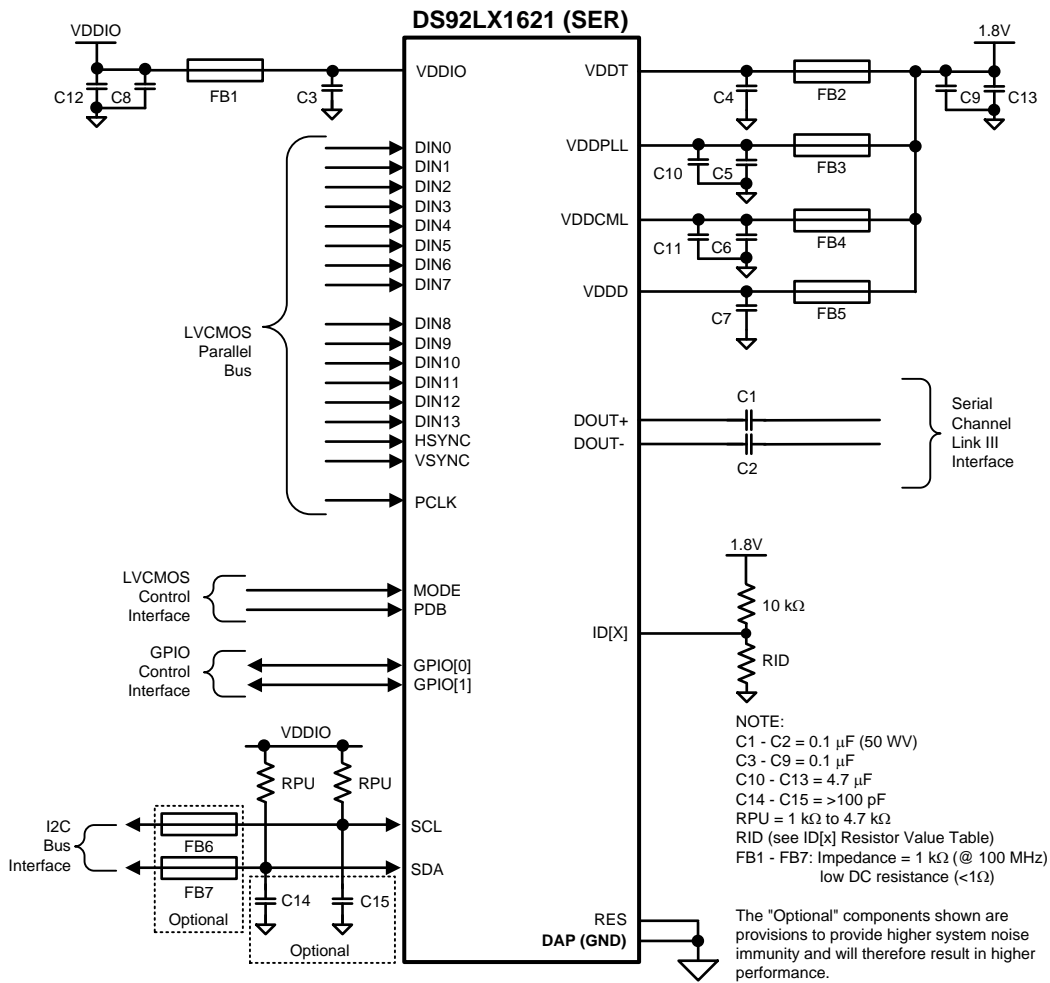


Figure 39. DS92LX1621 Typical Connection Diagram

Figure 40 shows a typical connection of the DS92LX1622 Deserializer.

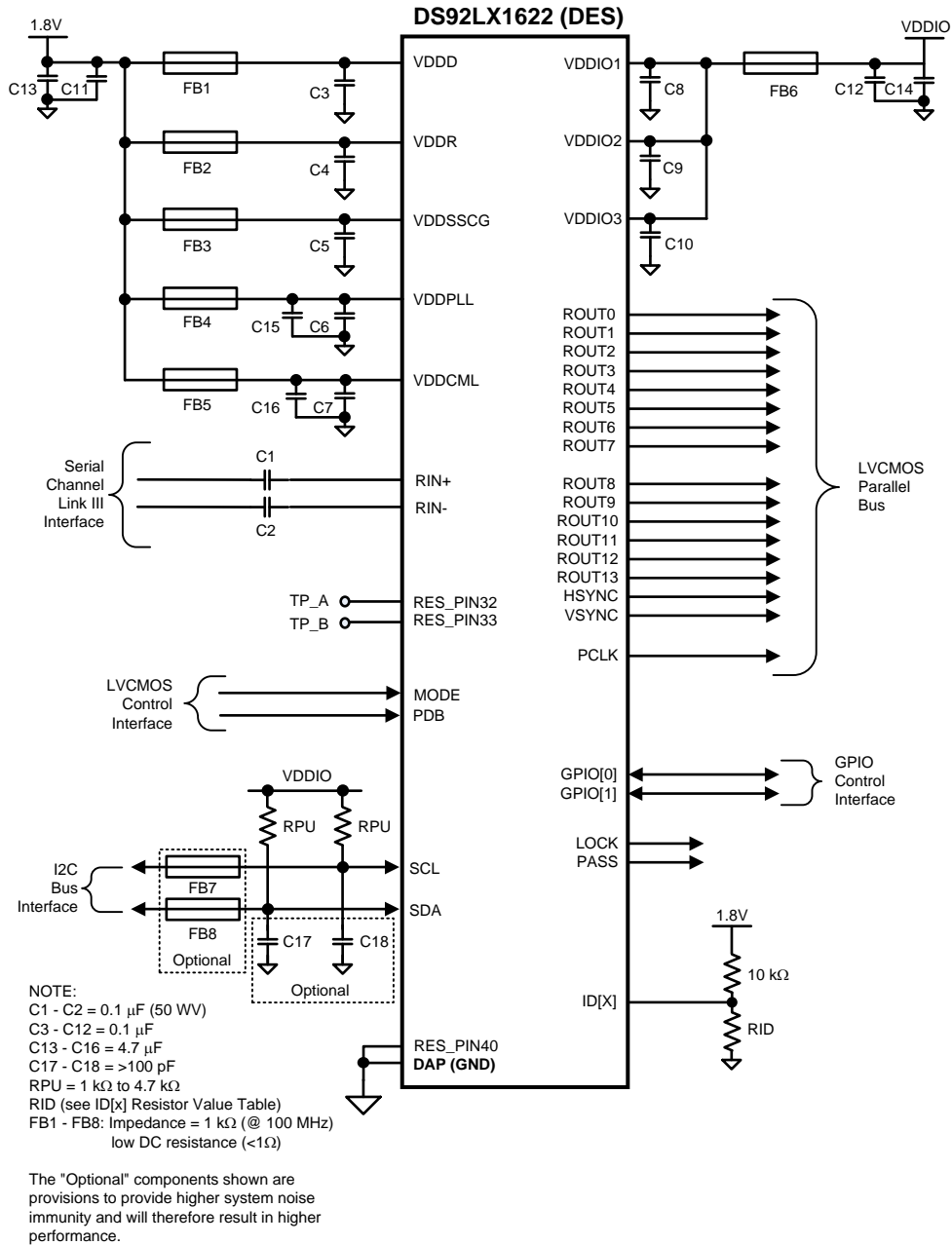


Figure 40. DS92LX1622 Typical Connection Diagram

TRANSMISSION MEDIA

The Ser/Des chipset is intended to be used over a wide variety of balanced cables depending on distance and signal quality requirements. The Ser/Des employ internal termination providing a clean signaling environment. The interconnect for Channel Link III interface should present a differential impedance of 100 Ohms. Use of cables and connectors that have matched differential impedance will minimize impedance discontinuities. Shielded or un-shielded cables may be used depending upon the noise environment and application requirements. The chipset's optimum cable drive performance is achieved at 43 MHz at 10 meters length. The maximum signaling rate increases as the cable length decreases. Therefore, the chipset supports 50 MHz at shorter distances.

Other cable parameters that may limit the cable's performance boundaries are: cable attenuation, near-end crosstalk and intra-pair skew.

For obtaining optimal performance, the following is recommended:

- Use Shielded Twisted Pair (STP) cable
- $100\Omega \pm 10\%$ differential impedance and 24 AWG (or lower AWG) cable
- Low intra-pair skew (less than 0.1UI), impedance matched
- Terminate unused conductors
- Optimum settings for deserializer Register 0x27 (See [Table 2](#))

PCB LAYOUT AND POWER SYSTEM CONSIDERATIONS

Circuit board layout and stack-up for the Ser/Des devices should be designed to provide low-noise power feed to the device. Good layout practice will also separate high frequency or high-level inputs and outputs to minimize unwanted stray noise pickup, feedback and interference. Power system performance may be greatly improved by using thin dielectrics (2 to 4 mils) for power / ground sandwiches. This arrangement provides plane capacitance for the PCB power system with low-inductance parasitics, which has proven especially effective at high frequencies, and makes the value and placement of external bypass capacitors less critical. External bypass capacitors should include both RF ceramic and tantalum electrolytic types. RF capacitors may use values in the range of 0.01 uF to 0.1 uF. Tantalum capacitors may be in the 2.2 uF to 10 uF range. Voltage rating of the tantalum capacitors should be at least 5X the power supply voltage being used.

Surface mount capacitors are recommended due to their smaller parasitics. When using multiple capacitors per supply pin, locate the smaller value closer to the pin. A large bulk capacitor is recommended at the point of power entry. This is typically in the 50uF to 100uF range and will smooth low frequency switching noise. It is recommended to connect power and ground pins directly to the power and ground planes with bypass capacitors connected to the plane with via on both ends of the capacitor. Connecting power or ground pins to an external bypass capacitor will increase the inductance of the path.

A small body size X7R chip capacitor, such as 0603, is recommended for external bypass. Its small body size reduces the parasitic inductance of the capacitor. The user must pay attention to the resonance frequency of these external bypass capacitors, usually in the range of 20-30 MHz. To provide effective bypassing, multiple capacitors are often used to achieve low impedance between the supply rails over the frequency of interest. At high frequency, it is also a common practice to use two vias from power and ground pins to the planes, reducing the impedance at high frequency.

Some devices provide separate power for different portions of the circuit. This is done to isolate switching noise effects between different sections of the circuit. Separate planes on the PCB are typically not required. Pin Description tables typically provide guidance on which circuit blocks are connected to which power pin pairs. In some cases, an external filter may be used to provide clean power to sensitive circuits such as PLLs.

Use at least a four layer board with a power and ground plane. Locate LVCMOS signals away from the differential lines to prevent coupling from the LVCMOS lines to the differential lines. Closely-coupled differential lines of 100 Ohms are typically recommended for differential interconnect. The closely coupled lines help to ensure that coupled noise will appear as common-mode and thus is rejected by the receivers. The tightly coupled lines will also radiate less.

Information on the LLP style package is provided in the *AN-1187 Leadless Leadframe Package (LLP) Application Report* (literature number [SNOA401](#)).

INTERCONNECT GUIDELINES

For full details, see the *Channel-Link PCB and Interconnect Design-In Guidelines* (literature number [SNLA008](#)) and the *Transmission Line RAPIDESIGNER Operation and Applications Guide* (literature number [SNLA035](#)).

- Use 100Ω coupled differential pairs
- Use the S/2S/3S rule in spacings
 - S = space between the pair
 - 2S = space between pairs
 - 3S = space to LVCMOS signal
- Minimize the number of Vias
- Use differential connectors when operating above 500Mbps line speed
- Maintain balance of the traces
- Minimize skew within the pair

Additional general guidance can be found in the *LVDS Owner's Manual* (literature number [SNLA187](#)), which is available in PDF format from the TI [LVDS & CML Solutions](#) web site.

REVISION HISTORY

Changes from Revision H (April 2013) to Revision I **Page**

- Changed "tri-state" and "low" OSS values to reflect correct bit definition 20
- Added user-recommended value for deserializer echo cancellation in general-purpose cables 24
- Added tolerance for transmission cable impedance 38
- Added tolerance range for transmission cable skew 38
- Added reference to optimum settings information in deserializer Reg 0x27 38

Changes from Revision G (April 2013) to Revision H **Page**

- Changed layout of National Data Sheet to TI format 39

PACKAGING INFORMATION

Orderable Device	Status (1)	Package Type	Package Drawing	Pins	Package Qty	Eco Plan (2)	Lead/Ball Finish (6)	MSL Peak Temp (3)	Op Temp (°C)	Device Marking (4/5)	Samples
DS92LX1621SQ/NOPB	ACTIVE	WQFN	RTV	32	1000	Green (RoHS & no Sb/Br)	CU SN	Level-3-260C-168 HR	-40 to 85	LX1621	Samples
DS92LX1621SQE/NOPB	ACTIVE	WQFN	RTV	32	250	Green (RoHS & no Sb/Br)	CU SN	Level-3-260C-168 HR	-40 to 85	LX1621	Samples
DS92LX1621SQX/NOPB	ACTIVE	WQFN	RTV	32	4500	Green (RoHS & no Sb/Br)	CU SN	Level-3-260C-168 HR	-40 to 85	LX1621	Samples
DS92LX1622SQ/NOPB	ACTIVE	WQFN	RTA	40	1000	Green (RoHS & no Sb/Br)	CU SN	Level-3-260C-168 HR	-40 to 85	LX1622	Samples
DS92LX1622SQE/NOPB	ACTIVE	WQFN	RTA	40	250	Green (RoHS & no Sb/Br)	CU SN	Level-3-260C-168 HR	-40 to 85	LX1622	Samples
DS92LX1622SQX/NOPB	ACTIVE	WQFN	RTA	40	2500	Green (RoHS & no Sb/Br)	CU SN	Level-3-260C-168 HR	-40 to 85	LX1622	Samples

(1) The marketing status values are defined as follows:

ACTIVE: Product device recommended for new designs.

LIFEBUY: TI has announced that the device will be discontinued, and a lifetime-buy period is in effect.

NRND: Not recommended for new designs. Device is in production to support existing customers, but TI does not recommend using this part in a new design.

PREVIEW: Device has been announced but is not in production. Samples may or may not be available.

OBSOLETE: TI has discontinued the production of the device.

(2) Eco Plan - The planned eco-friendly classification: Pb-Free (RoHS), Pb-Free (RoHS Exempt), or Green (RoHS & no Sb/Br) - please check <http://www.ti.com/productcontent> for the latest availability information and additional product content details.

TBD: The Pb-Free/Green conversion plan has not been defined.

Pb-Free (RoHS): TI's terms "Lead-Free" or "Pb-Free" mean semiconductor products that are compatible with the current RoHS requirements for all 6 substances, including the requirement that lead not exceed 0.1% by weight in homogeneous materials. Where designed to be soldered at high temperatures, TI Pb-Free products are suitable for use in specified lead-free processes.

Pb-Free (RoHS Exempt): This component has a RoHS exemption for either 1) lead-based flip-chip solder bumps used between the die and package, or 2) lead-based die adhesive used between the die and leadframe. The component is otherwise considered Pb-Free (RoHS compatible) as defined above.

Green (RoHS & no Sb/Br): TI defines "Green" to mean Pb-Free (RoHS compatible), and free of Bromine (Br) and Antimony (Sb) based flame retardants (Br or Sb do not exceed 0.1% by weight in homogeneous material)

(3) MSL, Peak Temp. - The Moisture Sensitivity Level rating according to the JEDEC industry standard classifications, and peak solder temperature.

(4) There may be additional marking, which relates to the logo, the lot trace code information, or the environmental category on the device.

(5) Multiple Device Markings will be inside parentheses. Only one Device Marking contained in parentheses and separated by a "~" will appear on a device. If a line is indented then it is a continuation of the previous line and the two combined represent the entire Device Marking for that device.

⁽⁶⁾ Lead/Ball Finish - Orderable Devices may have multiple material finish options. Finish options are separated by a vertical ruled line. Lead/Ball Finish values may wrap to two lines if the finish value exceeds the maximum column width.

Important Information and Disclaimer: The information provided on this page represents TI's knowledge and belief as of the date that it is provided. TI bases its knowledge and belief on information provided by third parties, and makes no representation or warranty as to the accuracy of such information. Efforts are underway to better integrate information from third parties. TI has taken and continues to take reasonable steps to provide representative and accurate information but may not have conducted destructive testing or chemical analysis on incoming materials and chemicals. TI and TI suppliers consider certain information to be proprietary, and thus CAS numbers and other limited information may not be available for release.

In no event shall TI's liability arising out of such information exceed the total purchase price of the TI part(s) at issue in this document sold by TI to Customer on an annual basis.

TAPE AND REEL INFORMATION

QUADRANT ASSIGNMENTS FOR PIN 1 ORIENTATION IN TAPE


*All dimensions are nominal

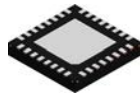
Device	Package Type	Package Drawing	Pins	SPQ	Reel Diameter (mm)	Reel Width W1 (mm)	A0 (mm)	B0 (mm)	K0 (mm)	P1 (mm)	W (mm)	Pin1 Quadrant
DS92LX1621SQ/NOPB	WQFN	RTV	32	1000	178.0	12.4	5.3	5.3	1.3	8.0	12.0	Q1
DS92LX1621SQE/NOPB	WQFN	RTV	32	250	178.0	12.4	5.3	5.3	1.3	8.0	12.0	Q1
DS92LX1621SQX/NOPB	WQFN	RTV	32	4500	330.0	12.4	5.3	5.3	1.3	8.0	12.0	Q1
DS92LX1622SQ/NOPB	WQFN	RTA	40	1000	330.0	16.4	6.3	6.3	1.5	12.0	16.0	Q1
DS92LX1622SQE/NOPB	WQFN	RTA	40	250	178.0	16.4	6.3	6.3	1.5	12.0	16.0	Q1
DS92LX1622SQX/NOPB	WQFN	RTA	40	2500	330.0	16.4	6.3	6.3	1.5	12.0	16.0	Q1

TAPE AND REEL BOX DIMENSIONS


*All dimensions are nominal

Device	Package Type	Package Drawing	Pins	SPQ	Length (mm)	Width (mm)	Height (mm)
DS92LX1621SQ/NOPB	WQFN	RTV	32	1000	210.0	185.0	35.0
DS92LX1621SQE/NOPB	WQFN	RTV	32	250	210.0	185.0	35.0
DS92LX1621SQX/NOPB	WQFN	RTV	32	4500	367.0	367.0	35.0
DS92LX1622SQ/NOPB	WQFN	RTA	40	1000	367.0	367.0	38.0
DS92LX1622SQE/NOPB	WQFN	RTA	40	250	210.0	185.0	35.0
DS92LX1622SQX/NOPB	WQFN	RTA	40	2500	367.0	367.0	38.0

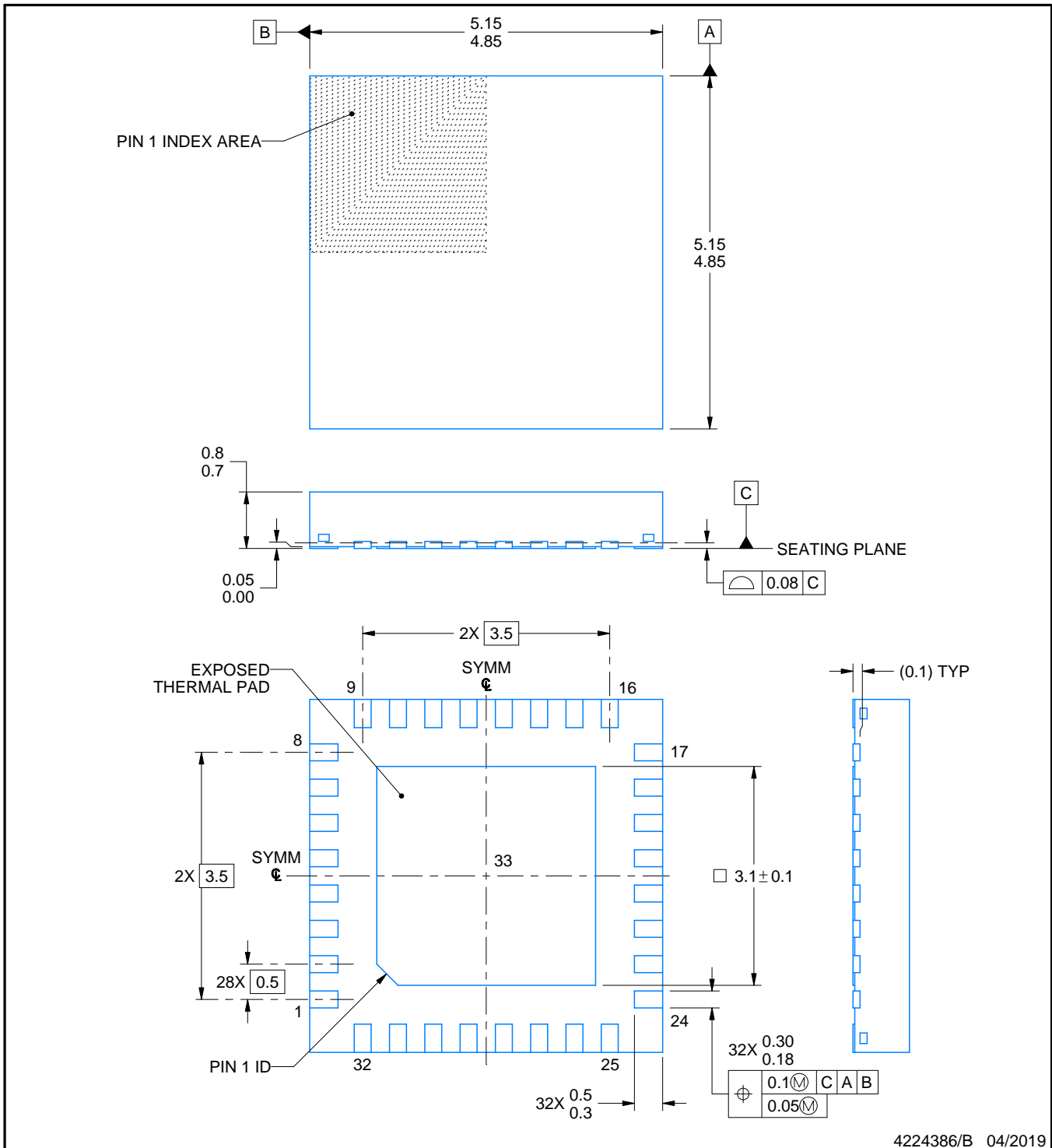
RTV0032A



PACKAGE OUTLINE

WQFN - 0.8 mm max height

PLASTIC QUAD FLATPACK - NO LEAD



4224386/B 04/2019

NOTES:

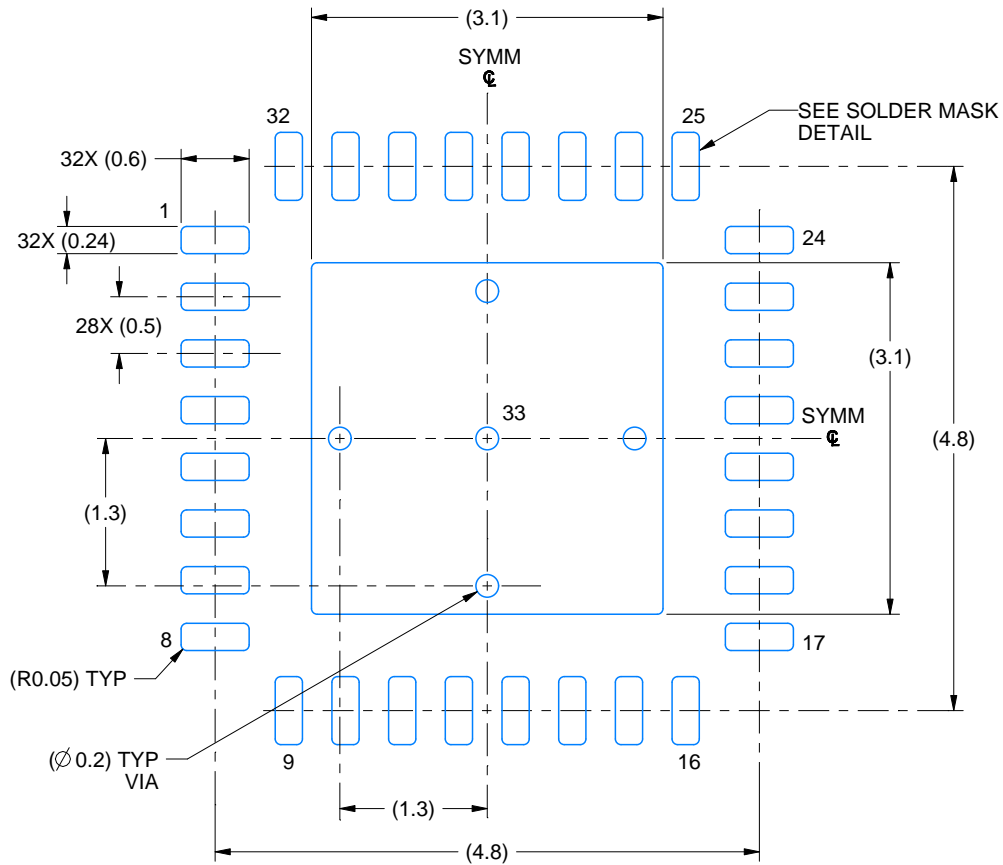
1. All linear dimensions are in millimeters. Any dimensions in parenthesis are for reference only. Dimensioning and tolerancing per ASME Y14.5M.
2. This drawing is subject to change without notice.
3. The package thermal pad must be soldered to the printed circuit board for thermal and mechanical performance.

EXAMPLE BOARD LAYOUT

RTV0032A

WQFN - 0.8 mm max height

PLASTIC QUAD FLATPACK - NO LEAD



LAND PATTERN EXAMPLE
EXPOSED METAL SHOWN
SCALE: 15X



SOLDER MASK DETAILS

4224386/B 04/2019

NOTES: (continued)

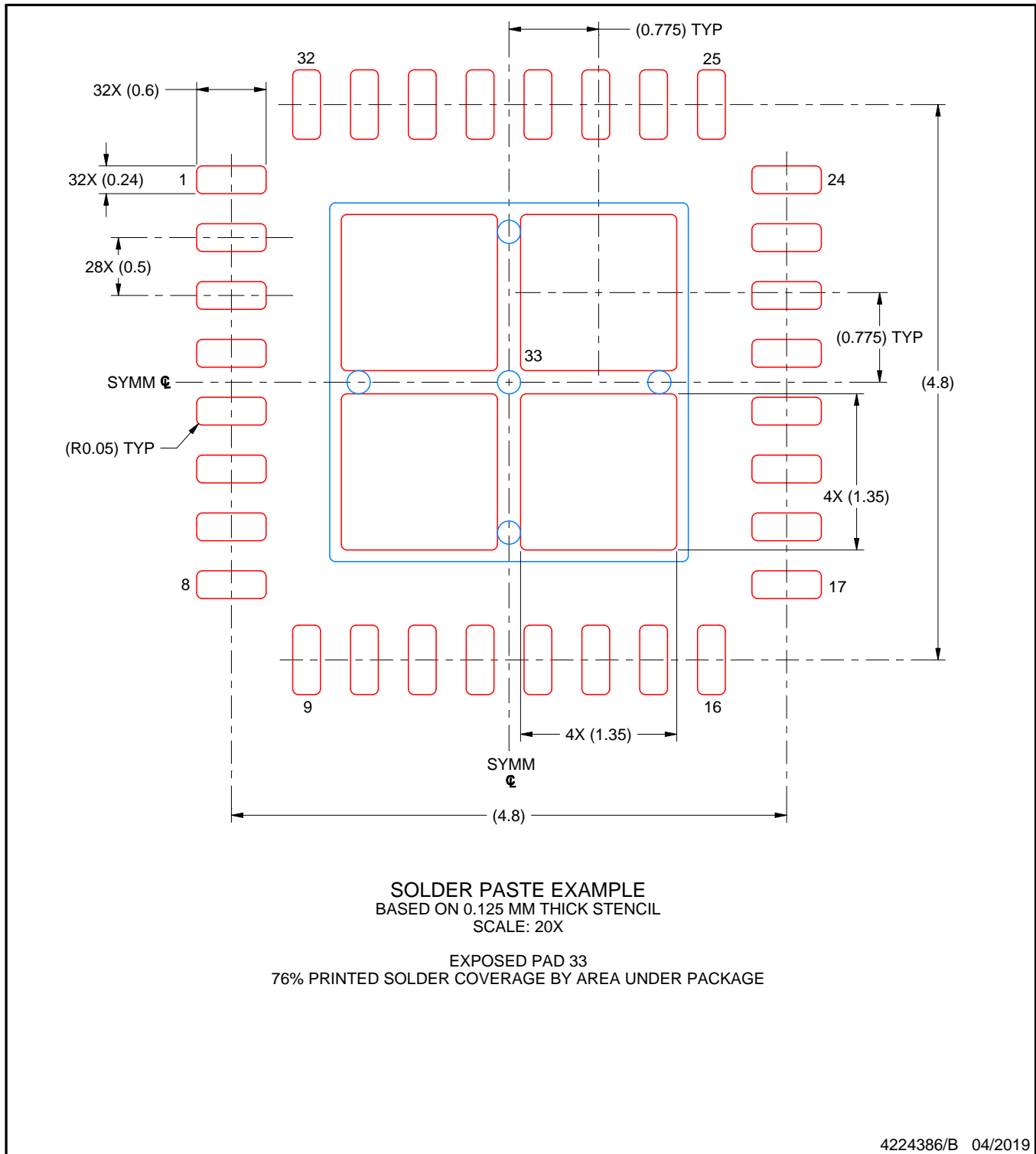
4. This package is designed to be soldered to a thermal pad on the board. For more information, see Texas Instruments literature number SLUA271 (www.ti.com/lit/sluea271).
5. Vias are optional depending on application, refer to device data sheet. If any vias are implemented, refer to their locations shown on this view. It is recommended that vias under paste be filled, plugged or tented.

EXAMPLE STENCIL DESIGN

RTV0032A

WQFN - 0.8 mm max height

PLASTIC QUAD FLATPACK - NO LEAD

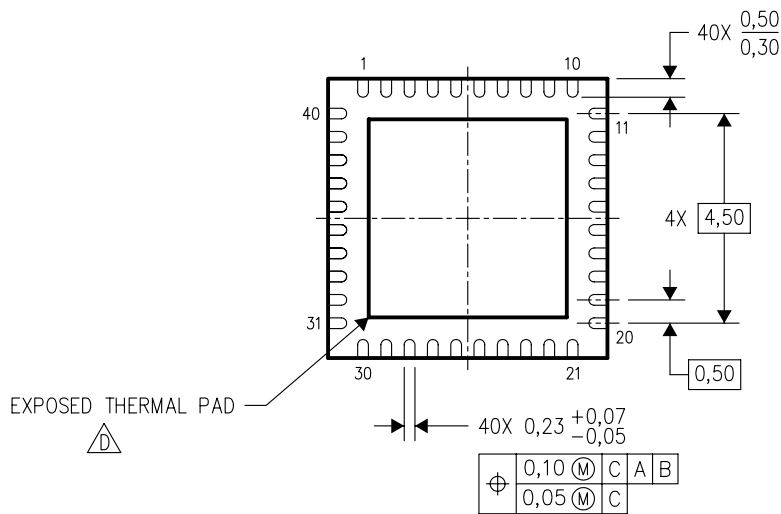
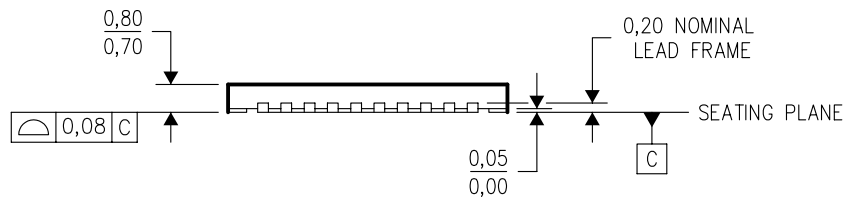
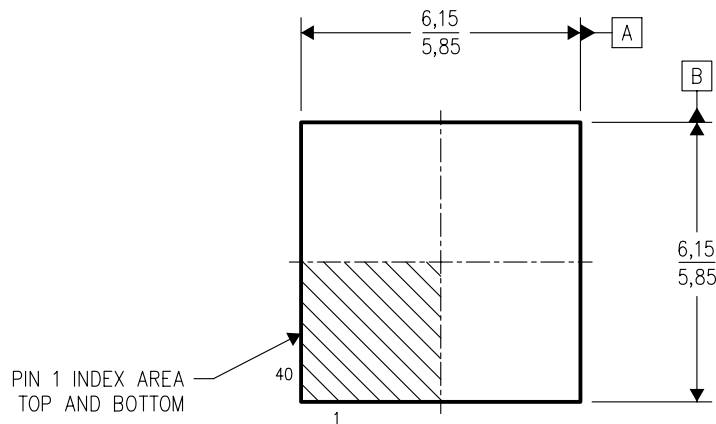


NOTES: (continued)


6. Laser cutting apertures with trapezoidal walls and rounded corners may offer better paste release. IPC-7525 may have alternate design recommendations.

RTA (S-PQFP-N40)

PLASTIC QUAD FLATPACK



4204422/B 11/04

- NOTES:
- A. All linear dimensions are in millimeters. Dimensioning and tolerancing per ASME Y14.5M-1994.
 - B. This drawing is subject to change without notice.
 - C. QFN (Quad Flatpack No-Lead) Package configuration.
 -  The package thermal pad must be soldered to the board for thermal and mechanical performance. See the Product Data Sheet for details regarding the exposed thermal pad dimensions.

IMPORTANT NOTICE AND DISCLAIMER

TI PROVIDES TECHNICAL AND RELIABILITY DATA (INCLUDING DATASHEETS), DESIGN RESOURCES (INCLUDING REFERENCE DESIGNS), APPLICATION OR OTHER DESIGN ADVICE, WEB TOOLS, SAFETY INFORMATION, AND OTHER RESOURCES "AS IS" AND WITH ALL FAULTS, AND DISCLAIMS ALL WARRANTIES, EXPRESS AND IMPLIED, INCLUDING WITHOUT LIMITATION ANY IMPLIED WARRANTIES OF MERCHANTABILITY, FITNESS FOR A PARTICULAR PURPOSE OR NON-INFRINGEMENT OF THIRD PARTY INTELLECTUAL PROPERTY RIGHTS.

These resources are intended for skilled developers designing with TI products. You are solely responsible for (1) selecting the appropriate TI products for your application, (2) designing, validating and testing your application, and (3) ensuring your application meets applicable standards, and any other safety, security, or other requirements. These resources are subject to change without notice. TI grants you permission to use these resources only for development of an application that uses the TI products described in the resource. Other reproduction and display of these resources is prohibited. No license is granted to any other TI intellectual property right or to any third party intellectual property right. TI disclaims responsibility for, and you will fully indemnify TI and its representatives against, any claims, damages, costs, losses, and liabilities arising out of your use of these resources.

TI's products are provided subject to TI's Terms of Sale (www.ti.com/legal/termsofsale.html) or other applicable terms available either on ti.com or provided in conjunction with such TI products. TI's provision of these resources does not expand or otherwise alter TI's applicable warranties or warranty disclaimers for TI products.

Mailing Address: Texas Instruments, Post Office Box 655303, Dallas, Texas 75265
Copyright © 2019, Texas Instruments Incorporated