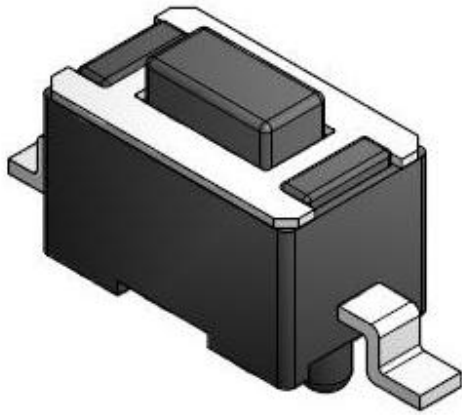


BTS-1101S



TACT SWITCHES :: BTS-1101S

- Rating : DC 12V50mA
- Travel:0.25 +/- 0.1mm
- Operating Force :130 or 180 +/- 30gf, 250 +/- 50gf
- Contact Resistance : 100m Ohm. Max
- Life: 50,000 -80.000Cycle Min.
- BTS-1101NS, NSA: Without Embossing
- (L) Knob Height 4.3`5.0mm

BTS-1101S

SPECIFICATION

Model No.	Knob (L)
1101S	4.3
1101SA	5.0

* 1101NS, NSA: Without Embossing

DRAWING

