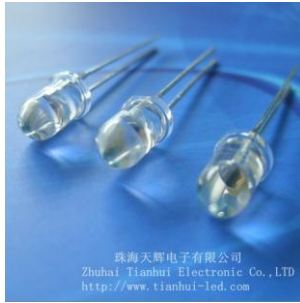


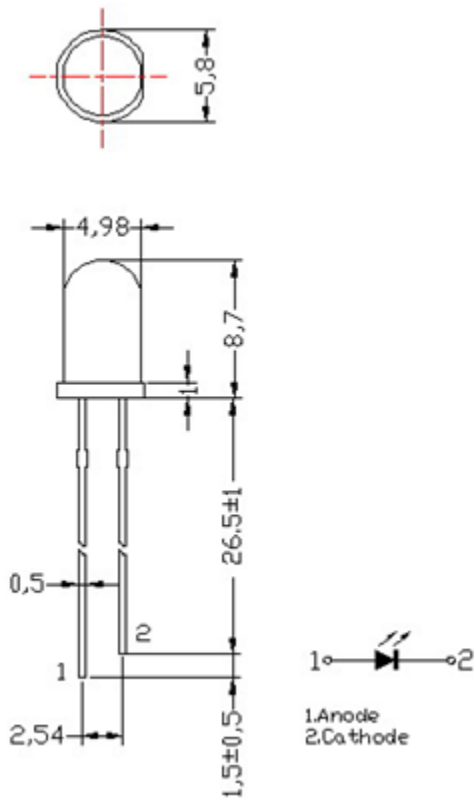
5mm 365nm uv leds



- **Model:**TH-UV365S1E-5
- **Brand:**TH / TIANHUI

5mm 365nm uv leds

| Part No. | Size (mm) | Working Current IF(mA) | Forward Voltage VF(V) | Wavelength λ D(nm) | Optical Output (mW) | Viewing Angle (°) |
|----------------|-----------|---------------------------|--------------------------|-------------------------------|------------------------|----------------------|
| TH-UV365S1EA-5 | 5 | 20 | 3.6-4.2 | 365-370 | 1-3 | 20 |
| TH-UV365S1E-5 | 5 | 20 | 3.6-4.2 | 365-375 | 1-3 | 20 |



Advantages of our UV LEDs:

Accurate wavelength;

Low luminous decay;

Long service life;

Good lighting effective;

No color difference;

Environmental friendliness;

Energy conservation;