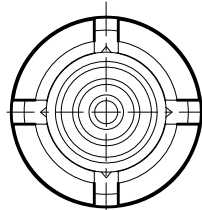
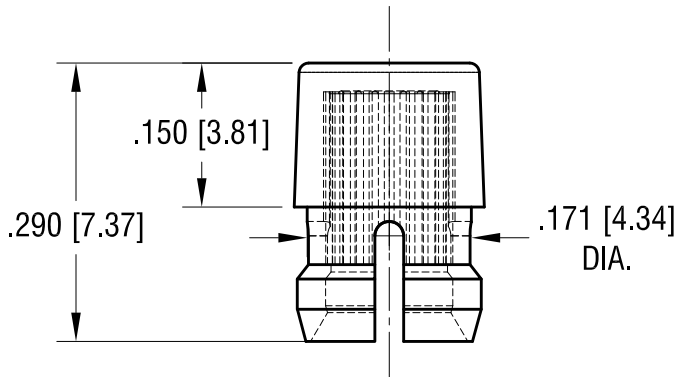
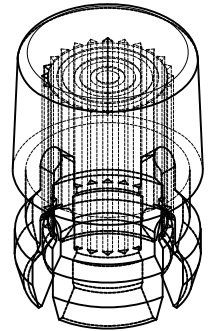
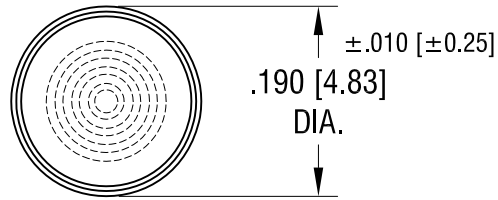


THIS DOCUMENT IS THE PROPERTY OF
KEYSTONE ELECTRONICS CORP. AND
SHALL NOT BE REPRODUCED, DISTRIBUTED
OR USED AS A BASIS FOR MANUFACTURE
WITHOUT PRIOR WRITTEN PERMISSION
FROM KEYSTONE ELECTRONICS CORP.



PART NO.	COLOR
8650	RED
8651	GREEN
8652	YELLOW
8653	CLEAR

KEYSTONE ELECTRONICS CORP.

www.keyelco.com • ASTORIA, N.Y. 11105-2017 • Tel (718) 956-8900

PART NAME		LED ROUND LENS CAP	
MATERIAL		POLYCARBONATE	
FINISH	-	DRN BY	BOONE
		APP'D	LN
		DATE	2.9.96
		SCALE	5X
TOLERANCES	INCH [MM]	CODE	DWG NO.
DECIMAL	± .005 [± 0.13]	C	8650-8653
ANGULAR	± 1°		
UNLESS OTHERWISE SPECIFIED			

2.23.12	CHANGE AS PER ECN 12-022	A
DATE	DESCRIPTION	REV.

Mouser Electronics

Authorized Distributor

Click to View Pricing, Inventory, Delivery & Lifecycle Information:

[Keystone Electronics:](#)

[8653](#)