



PARA
ight

LED COMPONENT CATALOGUE




PARA LIGHT ELECTRONICS CO., LTD.



Bring good light to life

Para Light Electronics Co., Ltd. was founded in 1987, PARA LIGHT (TWSE code: 6226) is a world-leading expert of LED components, LED lighting modules and LED lighting solutions.



In the past 32 years, PARA LIGHT has been devoted to new product development, automation equipment upgrade, and enhancing the efficiency of manufacturing processing to establish our competitiveness in the global market.

Today, PARA LIGHT is a global company with 2 manufacturing plants certified with ISO 14001, ISO 9001 and TS16969, and also complies with REACH and RoHS. We have 1,200 employees based in US, Taiwan, China, and Hong Kong, and have cooperative distribution partners around the world, which allows us to provide immediate services to customers within reach.

LED Components | **Lighting Solutions** | **Gaming PC Lighting System** | **Smart Home Appliance**

PARA LIGHT was founded in LED packaging industry providing a diverse product portfolio consisting of High Power LEDs, SMD LEDs, PLCC, LED Digital Displays, SMD Displays and LED Lamps. With 32 years superior technology in LED packaging, PARA LIGHT is now also successfully attached into LED lighting module market and gets reputation in the past few years.

In recent years, PARA LIGHT expands our market reach in Gaming PC Lighting System and Smart Home Appliance field. With PARA LIGHT in-house design capabilities, our R&D team is able to provide the total solution to assist design engineers greatly enhance their products both in quality and innovation.

For more information, please visit PARA LIGHT online:

<http://www.paralighttaiwan.com>



Table Contents

97

SMD Display

| | |
|-------------------------|-----|
| Single Digit | 98 |
| Single Digit_Ultra Thin | 100 |
| Dual Digit | 102 |
| Dual Digit_Ultra Thin | 104 |
| Three Digit | 105 |
| Three Digit_Ultra Thin | 106 |

1

SMD LED & PLCC

| | |
|-------------------------------|----|
| Chip LED_Top View | 2 |
| Chip LED_Top View_Dome Lens | 5 |
| Chip LED_Top View_Dual Color | 6 |
| Chip LED_Top View_RGB | 7 |
| Chip LED_Side View | 8 |
| Chip LED_Side View_Dual Color | 9 |
| Chip LED_Side View_RGB | 10 |
| PLCC LED_Top View_White | 10 |
| PLCC LED_Side View_White | 12 |
| PLCC LED_Top View | 13 |
| PLCC LED_Top View_RGB | 14 |
| PLCC LED_Top View_IR | 14 |

107

Through Hole Lamp

| | |
|------------------------|-----|
| Tower | 108 |
| Round | 109 |
| Round_Dual Color | 115 |
| Round_RGB | 118 |
| Cylindrical | 119 |
| Oval | 123 |
| Rectangular | 123 |
| Rectangular_Dual Color | 129 |
| Rectangular_RGB | 130 |
| Tombstone | 131 |
| Taping Lamp | 132 |

15

Through Hole Display & LED Light Bar

| | |
|-----------------------|----|
| Single Digit | 16 |
| Dual Digit | 32 |
| Three Digit | 38 |
| Four Digit | 44 |
| Five Digit | 59 |
| Alpha-Numeric | 61 |
| Light Bar Array | 66 |
| Arrow | 73 |
| Dot Matrix | 76 |
| Dot Matrix_Dual Color | 89 |
| LED Display Module | 94 |

135

Circuit Board Indicator

| | |
|------------------|-----|
| CBI_Single Level | 136 |
| CBI_Dual Level | 138 |
| CBI_Tri Level | 140 |
| CBI_Quad Level | 141 |
| CBI_Hexa Level | 142 |
| CBI_Octa Level | 142 |

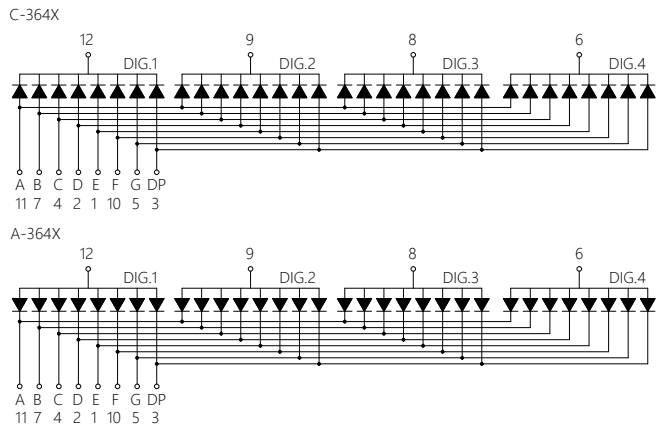
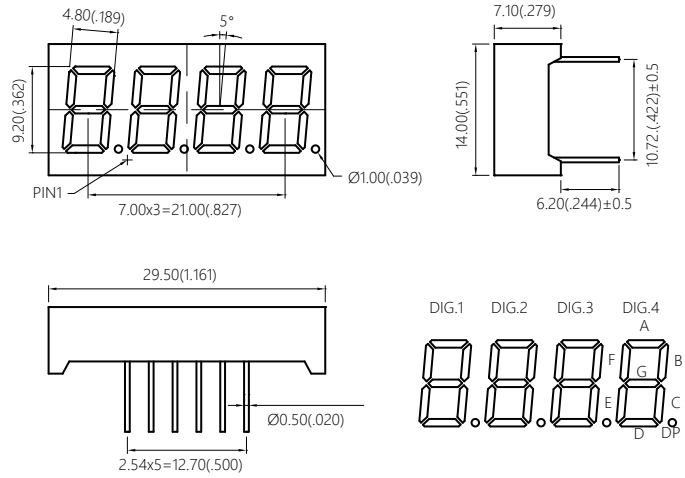
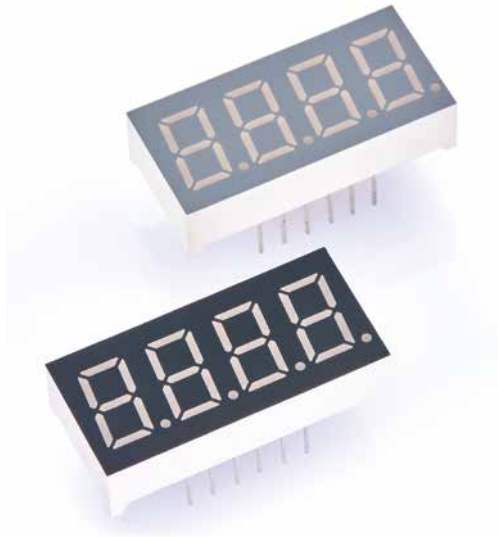
143

IR Emitter & Detector

| | |
|----------------------------------|-----|
| IR Emitter_3mm Through Hole Type | 144 |
| IR Emitter_5mm Through Hole Type | 145 |
| IR Emitter_8mm Through Hole Type | 148 |
| IR Emitter_PLCC Type | 148 |
| Phototransistor | 149 |
| Photodiode | 150 |

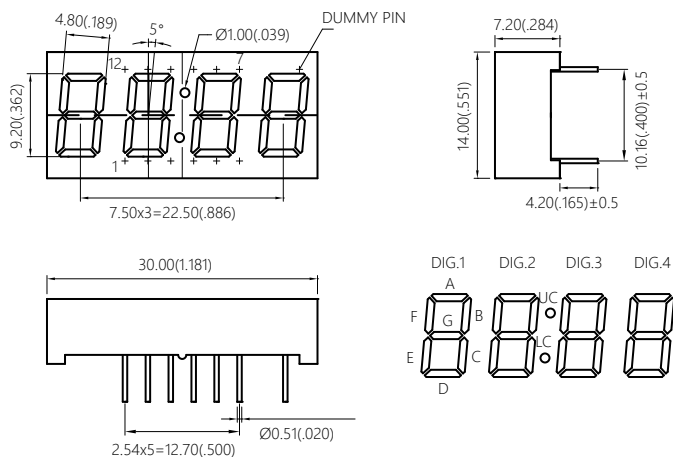


SMP & PTC

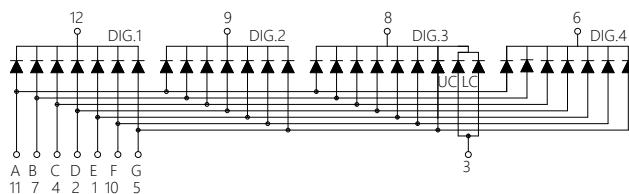


Unit : mm

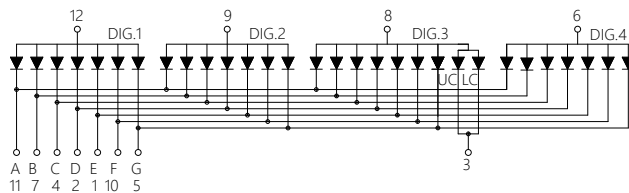
| Common Cathode | | Common Anode | | Emitting Color | Wavelength λ_d (nm)/CIE (x.y) | Typ. Luminous Intensity I_v (mcd)/Seg. | Forward Current I_F (mA) |
|----------------|-------------|--------------|-------------|----------------|--|---|-------------------------------|
| Part No | Ref. PN | Part No | Ref. PN | | | | |
| C-364UB | DKC43UB455G | A-364UB | DKA43UB450G | Blue | 465 | 9 | 10 |
| C-364G | DKC43G458G | A-364G | DKA43G453G | Yellow Green | 570 | 1.6 | 10 |
| C-364Y | DKC43Y457G | A-364Y | DKA43Y452G | Yellow | 587 | 1.4 | 10 |
| C-364E | DKC43E459G | A-364E | DKA43E454G | Super Red | 628 | 1.5 | 10 |
| C-364SR | DKC43SR456G | A-364SR | DKA43SR451G | Hyper Red | 640 | 4.6 | 10 |



C-3P4X

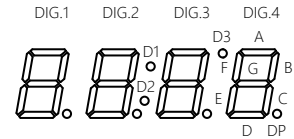
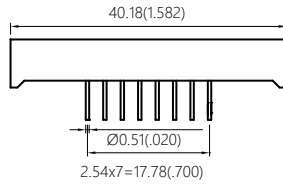
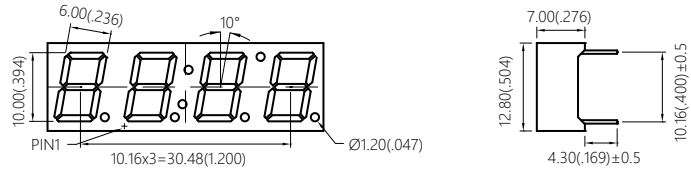


A-3P4X

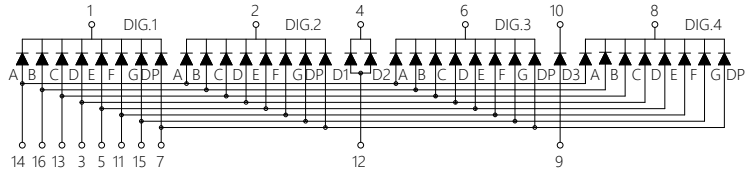


Unit : mm

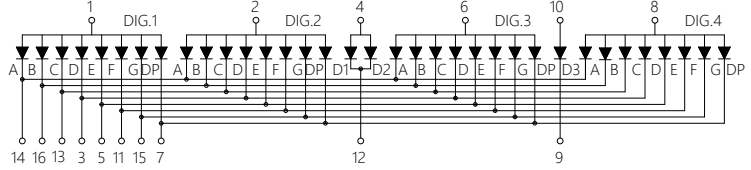
| Common Cathode | | Common Anode | | Emitting Color | Wavelength λ_d (nm)/CIE (x,y) | Typ. Luminous Intensity I_v (mcd)/Seg. | Forward Current I_F (mA) |
|----------------|-------------|--------------|-------------|----------------|--|--|-------------------------------|
| Part No | Ref. PN | Part No | Ref. PN | | | | |
| C-3P4UB | DKC43UB435G | A-3P4UB | DKA43UB430G | Blue | 465 | 9 | 10 |
| C-3P4G | DKC43G438G | A-3P4G | DKA43G433G | Yellow Green | 570 | 1.6 | 10 |
| C-3P4Y | DKC43Y437G | A-3P4Y | DKA43Y432G | Yellow | 587 | 1.4 | 10 |
| C-3P4E | DKC43E439G | A-3P4E | DKA43E434G | Super Red | 628 | 1.5 | 10 |
| C-3P4SR | DKC43SR436G | A-3P4SR | DKA43SR431G | Hyper Red | 640 | 4.6 | 10 |



C-394X



A-394X



Unit : mm

| Common Cathode | | Common Anode | | Emitting Color | Wavelength λ_d (nm)/CIE (x.y) | Typ. Luminous Intensity I_v (mcd)/Seg. | Forward Current I_F (mA) |
|----------------|-------------|--------------|-------------|----------------|--|---|-------------------------------|
| Part No | Ref. PN | Part No | Ref. PN | | | | |
| C-394UB | DKC43UB445G | A-394UB | DKA43UB440G | Blue | 465 | 12 | 10 |
| C-394G | DKC43G448G | A-394G | DKA43G443G | Yellow Green | 570 | 1.7 | 10 |
| C-394Y | DKC43Y447G | A-394Y | DKA43Y442G | Yellow | 587 | 1.5 | 10 |
| C-394E | DKC43E449G | A-394E | DKA43E444G | Super Red | 628 | 1.6 | 10 |
| C-394SR | DKC43SR446G | A-394SR | DKA43SR441G | Hyper Red | 640 | 4.8 | 10 |