

## Phase Control Circuit – General Purpose Feedback

### Description

The integrated circuit, U211B2 (or U211B3) is designed as a phase control circuit in bipolar technology with internal frequency-voltage converter. Furthermore it has an internal closed loop amplifier which means it can be used for in speed regulated motor applications.

It has an integrated load limitation, sensor monitoring and soft start functions, etc. to realize sophisticated motor control systems.

### Features

- Internal frequency to voltage converter
- Externally controlled integrated amplifier
- Overload limitation with a "fold back" characteristic
- Optimized soft-start function
- Tacho monitoring for shorted and open loop
- Automatic retriggering switchable
- Triggering pulse typ. 155 mA
- Voltage and current synchronisation
- Internal supply-voltage monitoring
- Temperature reference source
- Current requirement  $\leq 3$  mA

Case: DIP18, SO16

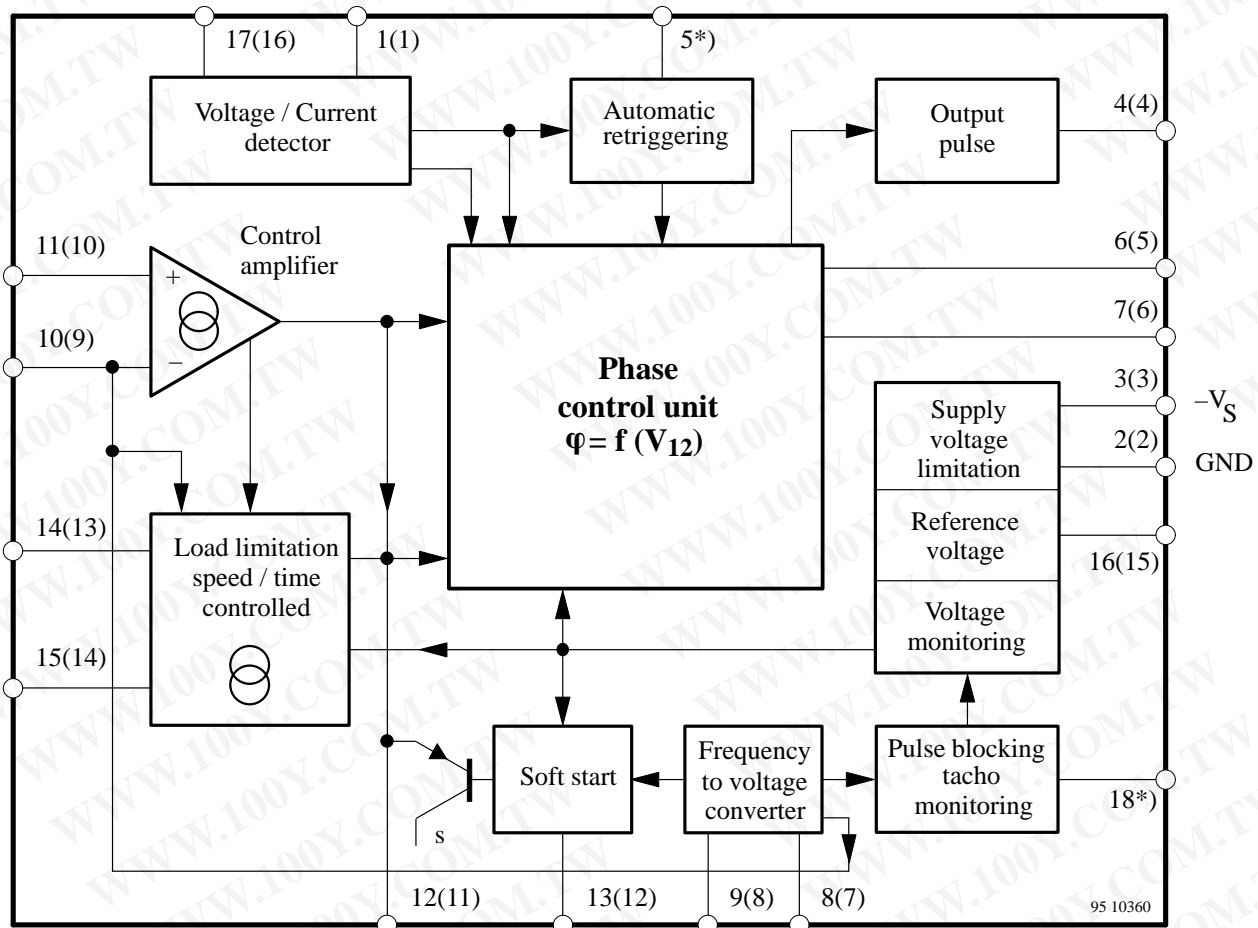


Figure 1. Block diagram ( ) SO 16 \* Pins 5 and 18 connected internally

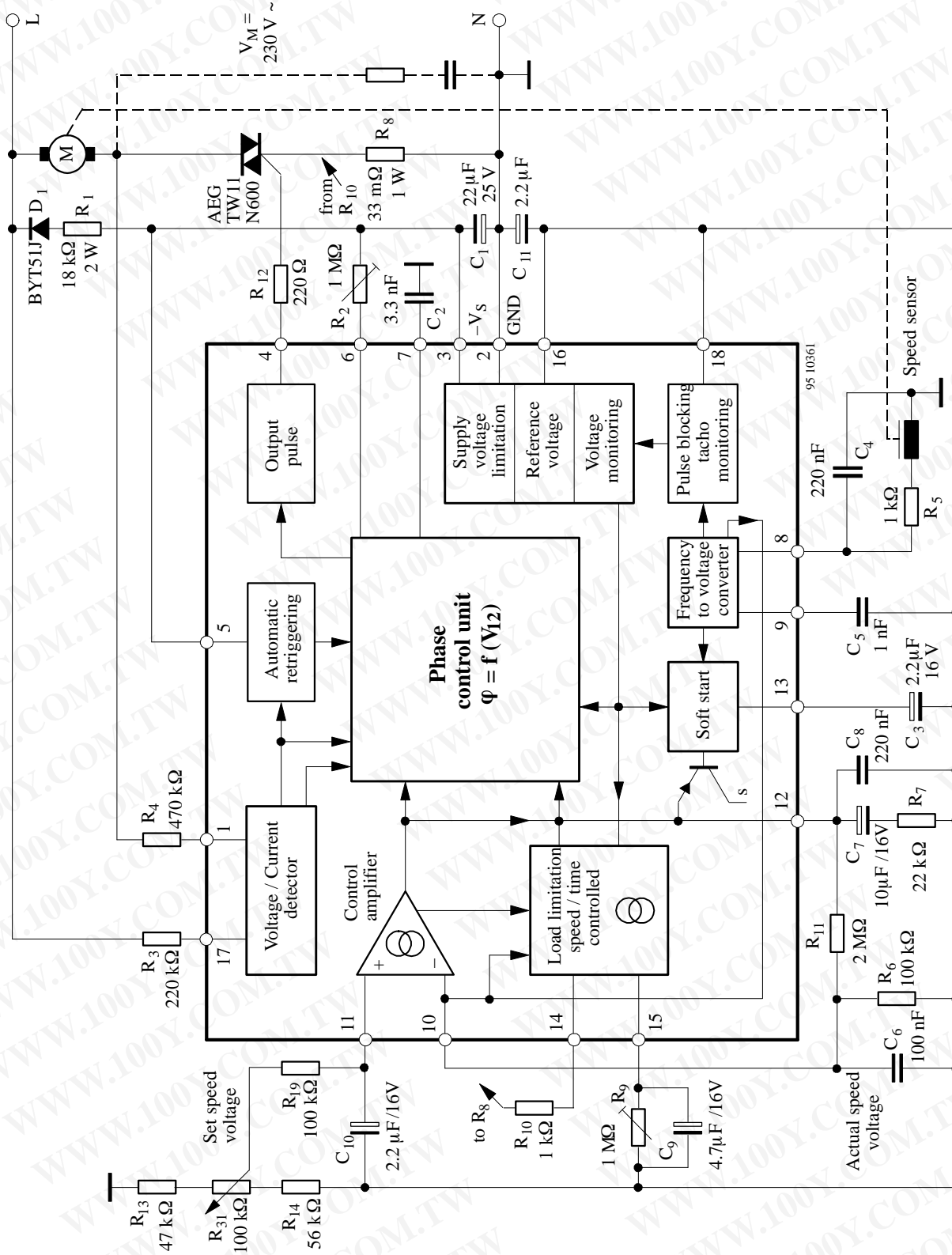


Figure 2. Speed control, automatic retriggering, load limiting, soft start

## Description

### Mains Supply

The U211B2 is fitted with voltage limiting and can therefore be supplied directly from the mains. The supply voltage between Pin 2 (+ pol/⊥) and Pin 3 builds up across D<sub>1</sub> and R<sub>1</sub> and is smoothed by C<sub>1</sub>. The value of the series resistance can be approximated using (see figure 2):

$$R_1 = \frac{V_M - V_S}{2 I_S}$$

Further information regarding the design of the mains supply can be found in the data sheets in the appendix. The reference voltage source on Pin 16 of typ. -8.9 V is derived from the supply voltage and is used for regulation.

Operation using an externally stabilised DC voltage is not recommended.

If the supply cannot be taken directly from the mains because the power dissipation in R<sub>1</sub> would be too large, then the circuit shown in the following figure 3 should be used.

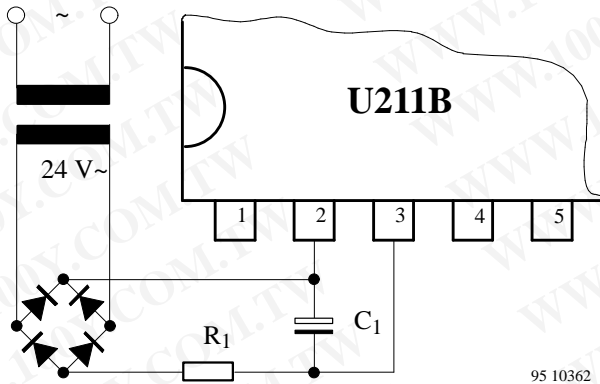


Figure 3. Supply voltage for high current requirements

### Phase Control

For the common phase control function 8 there is a general explanation in the data book chapter 8. The phase angle of the trigger pulse is derived by comparing the ramp voltage (which is mains synchronised by the voltage detector) with the set value on the control input Pin 12. The slope of the ramp is determined by C<sub>2</sub> and its charging current. The charging current can be varied using R<sub>2</sub> on Pin 6. The maximum phase angle α<sub>max</sub> can also be adjusted using R<sub>2</sub>.

When the potential on Pin 7 reaches the nominal value predetermined at Pin 12, then a trigger pulse is generated whose width t<sub>p</sub> is determined by the value of C<sub>2</sub> (the value

of C<sub>2</sub> and hence the pulse width can be evaluated by assuming 8 μs/nF). At the same time, a latch is set, so that as long as the automatic retriggering has not been activated, then no more pulses can be generated in that half cycle.

The current sensor on Pin 1 ensures that, for operations with inductive loads, no pulse will be generated in a new half-cycle as long as a current from the previous half cycle is still flowing in the opposite direction to the supply voltage at that instant. This makes sure that "Gaps" in the load current are prevented.

The control signal on Pin 12 can be in the range 0 V to -7 V (reference point Pin 2).

If V<sub>12</sub> = -7 V then the phase angle is at maximum = α<sub>max</sub> i.e. the current flow angle is a minimum. The phase angle α<sub>min</sub> is minimum when V<sub>12</sub> = V<sub>2</sub>.

### Voltage Monitoring

As the voltage is built up, uncontrolled output pulses are avoided by internal voltage surveillance. At the same time, all of the latches in the circuit (phase control, load limit regulation, soft start) are reset and the soft-start capacitor is short circuited. Used with a switching hysteresis of 300 mV, this system guarantees defined start-up behavior each time the supply voltage is switched on or after short interruptions of the mains supply.

### Soft-Start

As soon as the supply voltage builds up (t<sub>1</sub>), the integrated soft-start is initiated. The figure below shows the behaviour of the voltage across the soft-start capacitor and is identical with the voltage on the phase control input on Pin 12. This behaviour guarantees a gentle start-up for the motor and automatically ensures the optimum run-up time.

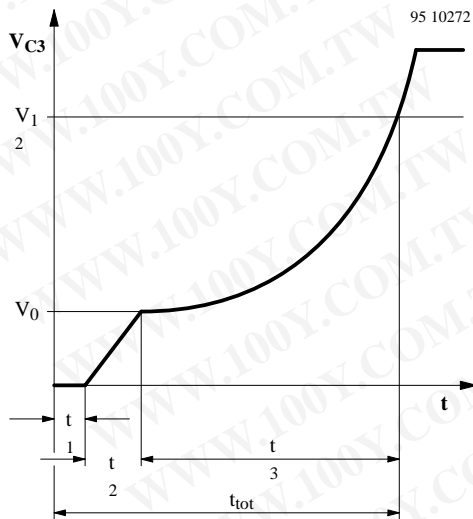


Figure 4. Soft-start

- $t_1$  = build-up of supply voltage
- $t_2$  = charging of  $C_3$  to starting voltage
- $t_1 + t_2$  = dead time
- $t_3$  = run-up time
- $t_{tot}$  = total start-up time to required speed

$C_3$  is first charged up to the starting voltage  $V_0$  with typical  $45 \mu\text{A}$  current ( $t_2$ ). By then reducing the charging current to approx.  $4 \mu\text{A}$ , the slope of the charging function is substantially reduced so that the rotational speed of the motor only slowly increases. The charging current then increases as the voltage across  $C_3$  increases giving a progressively rising charging function which accelerates the motor more and more strongly with increasing rotational speed. The charging function determines the acceleration up to the set-point. The charging current can have a maximum value of  $55 \mu\text{A}$ .

### Frequency to Voltage Converter

The internal frequency to voltage converter (f/V-converter) generates a DC signal on Pin 10 which is proportional to the rotational speed using an AC signal from a tachogenerator or a light beam whose frequency is in turn dependent on the rotational speed. The high impedance input Pin 8, compares the tachovoltage to a switch-on threshold of typ.  $-100 \text{ mV}$ . The switch-off threshold is given with  $-50 \text{ mV}$ . The hysteresis guarantees very reliable operation even when relatively simple tachogenerators are used. The tachofrequency is given by:

$$f = \frac{n}{60} \cdot p \text{ [Hz]}$$

where:  $n$  = revolutions per minute  
 $p$  = number of pulses per revolution

The converter is based on the charge pumping principle. With each negative half wave of the input signal, a quantity of charge determined by  $C_5$  is internally amplified and then integrated by  $C_6$  at the converter output on Pin 10. The conversion constant is determined by  $C_5$ , its charge transfer voltage of  $V_{ch}$ ,  $R_6$  (Pin 10) and the internally adjusted charge transfer gain.

$$G_i \left[ \frac{I_{10}}{I_9} \right] = 8.3$$

$$k = G_i \times C_5 \times R_6 \times V_{ch}$$

The analog output voltage is given by

$$V_O = k \cdot f$$

The values of  $C_5$  and  $C_6$  must be such that for the highest possible input frequency, the maximum output voltage  $V_O$  does not exceed  $6 \text{ V}$ . While  $C_5$  is charging up, the  $R_i$  on Pin 9 is approx.  $6.7 \text{ k}\Omega$ . To obtain good linearity of the f/V converter the time constant resulting from  $R_i$  and  $C_5$  should be considerably less (1/5) than the time span of the negative half-cycle for the highest possible input frequency. The amount of remaining ripple on the output voltage on Pin 10 is dependent on  $C_5$ ,  $C_6$  and the internal charge amplification.

$$\Delta V_O = \frac{G_i \times V_{ch} \times C_5}{C_6}$$

The ripple  $\Delta V_O$  can be reduced by using larger values of  $C_6$ . However, the increasing speed will then also be reduced.

The value of this capacitor should be chosen to fit the particular control loop where it is going to be used.

### Pulse Blocking

The output of pulses can be blocked using Pin 18 (standby operation) and the system reset via the voltage monitor if  $V_{18} \geq -1.25 \text{ V}$ . After cycling through the switching point hysteresis, the output is released when  $V_{18} \leq -1.5 \text{ V}$  followed by a soft-start such as that after turn on.

Monitoring of the rotation can be carried out by connecting an RC network to Pin 18. In the event of a short or open circuit, the triac triggering pulses are cut off by the time delay which is determined by R and C. The capacitor C is discharged via an internal resistance  $R_i = 2 \text{ k}\Omega$  with each charge transfer process of the f/V converter. If there are no more charge transfer processes C is charged up via R until the switch-off threshold is exceeded and the triac triggering pulses are cut off. For operation without trigger pulse blocking or monitoring of the rotation, Pins 18 and 16 must be connected together.

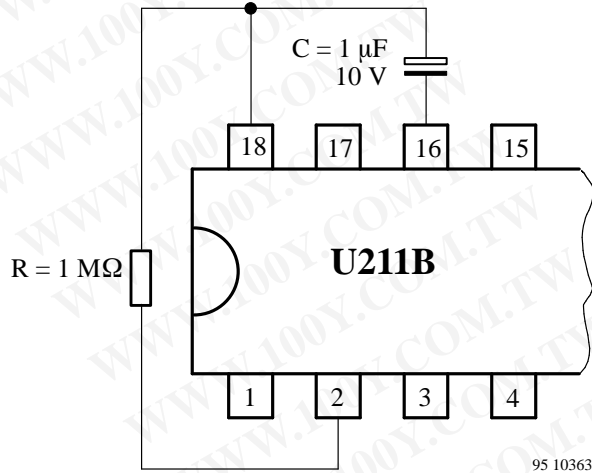


Figure 5. Operation delay

## Control Amplifier (figure 2)

The integrated control amplifier with differential input compares the set value (Pin 11) with the instantaneous value on Pin 10 and generates a regulating voltage on the output Pin 12 (together with the external circuitry on Pin 12) which always tries to hold the actual voltage at the value of the set voltages. The amplifier has a transmittance of typically  $1000 \mu\text{A}/\text{V}$  and a bipolar current source output on Pin 12 which operates with typically  $\pm 110 \mu\text{A}$ . The amplification and frequency response are determined by  $R_7$ ,  $C_7$ ,  $C_8$  and  $R_{11}$  (can be left out). For operation as a power control (open loop),  $C_4$ ,  $C_5$ ,  $R_6$ ,  $R_7$ ,  $C_7$ ,  $C_8$  and  $R_{11}$  can be omitted. Pin 10 should be connected with Pin 12 and Pin 8 with Pin 2. The phase angle of the triggering pulse can be adjusted using the voltage on Pin 11. An internal limiting circuit prevents the voltage on Pin 12 from becoming more negative than  $V_{16} + 1 \text{ V}$ .

## Load Limiting

The load limiting, with standard circuitry, provides absolute protection against overloading of the motor. The function of the load limiting takes account of the fact that motors operating at higher speeds can safely withstand large power dissipations than at lower speeds due to the increased action of the cooling fan. Similar, considerations have been made for short term overloads of the motor which are, in practice, often required, which are not damaging and can be tolerated.

In each positive half-cycle, the circuit measures via  $R_{10}$  the load current on Pin 14 as a potential drop across  $R_8$  and produces a current proportional to the voltage on Pin 14. This current is available on Pin 15 and is integrated by  $C_9$ . If, following high current amplitudes or a large phase angle for current flow, the voltage on  $C_9$  exceeds an internally set threshold of approx.  $7.3 \text{ V}$

(reference voltage Pin 16) then a latch is set and the load limiting is turned on. A current source (sink) controlled by the control voltage on Pin 15 now draws current from Pin 12 and lowers the control voltage on Pin 12 so that the phase angle  $\alpha$  is increased to  $\alpha_{\text{max}}$ .

The simultaneous reduction of the phase angle during which current flows causes firstly: a reduction of the rotational speed of the motor which can even drop to zero if the angular momentum of the motor is excessively large, and secondly: a reduction of the potential on  $C_9$  which in turn reduces the influence of the current sink on Pin 12. The control voltage can then increase again and bring down the phase angle. This cycle of action sets up a "balanced condition" between the "current integral" on Pin 15 and the control voltage on Pin 12.

Apart from the amplitude of the load current and the time during which current flows, also the potential on Pin 12 and hence the rotational speed affects the function of the load limiting. A current proportional to the potential on Pin 10 gives rise to a voltage drop across  $R_{10}$ , via Pin 14, so that the current measured on Pin 14 is smaller than the actual current through  $R_8$ .

This means that higher rotational speeds and higher current amplitudes lead to the same current integral. Therefore, at higher speeds, the power dissipation must be greater than that at lower speeds before the internal threshold voltage on Pin 15 is exceeded. The effect of speed on the maximum power is determined by the resistor  $R_{10}$  and can therefore be adjusted to suit each individual application.

If, after the load limiting has been turned on, the momentum of the load sinks below the "0-momentum" set using  $R_{10}$ , then  $V_{15}$  will be reduced.  $V_{12}$  can then increase again so that the phase angle is reduced. A smaller phase angle corresponds to a larger momentum of the motor and hence the motor runs up – as long as this is allowed by the load momentum. For an already rotating machine, the effect of rotation on the measured "current integral" ensures that the power dissipation is able to increase with the rotational speed. The result is: a current controlled acceleration run-up, which ends in a small peak of acceleration when the set point is reached. The latch of the load limiting is simultaneously reset. The speed of the motor is then again under control and it is capable of carrying its full load. The above mentioned peak of acceleration depends upon the ripple of actual speed voltage. A large amount of ripple also leads to a large peak of acceleration.

The measuring resistor  $R_8$  should have a value which ensures that the amplitude of the voltage across it does not exceed  $600 \text{ mV}$ .

## Design Hints

Practical trials are normally needed for the exact determination of the values of the relevant components in

the load limiting. To make this evaluation easier, the following table shows the effect of the circuitry on the important parameters of the load limiting and summarises the general tendencies.

Parameters affected \ Alternation	Increasing		
	$R_{10}$	$R_9$	$C_9$
$P_{\max}$	increases	decreases	n.e.
$P_{\min}$	increases	decreases	n.e.
$P_{\max}/P_{\min}$	increases	n.e.	n.e.
$t_d$	n.e.	decreases	increases
$t_r$	n.e.	increases	increases

$P_{\max}$  – maximum continuous power dissipation  $P_1 = f_{(n)} n \neq 0$

$P_{\min}$  – power dissipation with no rotation  $P_1 = f_{(n)} n = 0$

$t_d$  – operation delay or recovery time

$t_r$  – recovery time

n.e. – no effect

## Pulse Output Stage

The pulse output stage is short circuit protected and can typically deliver currents of 125 mA. For the design of smaller triggering currents, the function  $I_{GT} = f(R_{G,T})$  has been given in the data sheets in the appendix.

## Automatic Retriggering

The variable automatic retriggering prevents half cycles without current flow, even if the triac is turned off earlier e.g. due to a collector which is not exactly centered (brush lifter) or in the event of unsuccessful triggering. If it is

necessary, another triggering pulse is generated after a time lapse which is determined by the repetition rate set by resistance between Pin 5 and Pin 3 ( $R_{5,3}$ ). With the maximum repetition rate (Pin 5 directly connected to Pin 3), the next attempt to trigger comes after a pause of  $4.5 t_p$  and this is repeated until either the triac fires or the half-cycle finishes. If Pin 5 is connected, then only one trigger pulse per half-cycle is generated. Because the value of  $R_{5,3}$  determines the charging current of  $C_2$ , any repetition rate set using  $R_{5,3}$  is only valid for a fixed value of  $C_2$ .

### General Hints and Explanation of Terms

To ensure safe and trouble-free operation, the following points should be taken into consideration when circuits are being constructed or in the design of printed circuit boards.

- The connecting lines from  $C_2$  to Pin 7 and Pin 2 should be as short as possible: The connection to Pin 2 should not carry any additional high current such as the load current. When selecting  $C_2$ , a low temperature coefficient is desirable.
- The common (earth) connections of the set-point generator, the tacho-generator and the final interference suppression capacitor  $C_4$  of the f/V converter should not carry load current.
- The tacho-generator should be mounted without influence by strong stray fields from the motor.
- The connections from  $R_{10}$  and  $C_5$  should be as short as possible.

To achieve a high noise immunity, one should use a maximum ramp voltage of 6 V, should be used.

The typical resistance  $R_\varphi$  can be calculated from  $I_\varphi$  as follows:

$$R_\varphi [\text{k}\Omega] = \frac{T (\text{ms}) \cdot 1.13 [\text{V}] \cdot 10^3}{C (\text{nF}) \cdot 6 (\text{V})}$$

$T$  = Period duration for mains frequency  
(10 ms at 50 Hz)

$C_\varphi$  = Ramp capacitor, max. ramp voltage 6 V and constant voltage drop at  $R_\varphi = 1.13 \text{ V}$ .

A 10% lower value of  $R_\varphi$ , under worst case conditions is recommended.

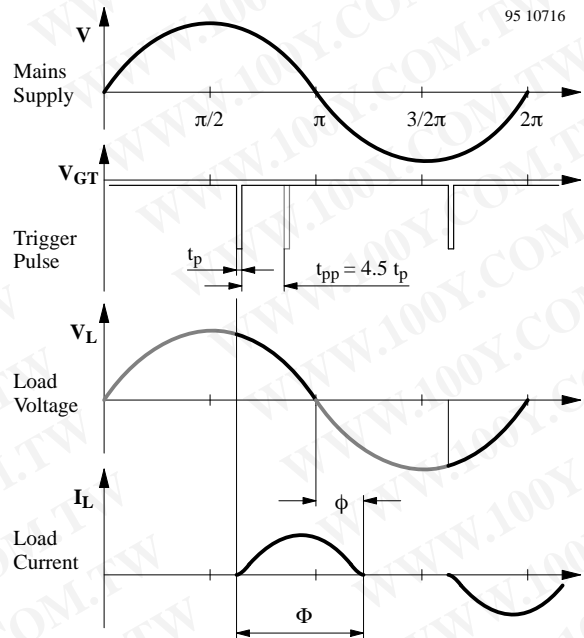


Figure 6. Explanation of terms in phase relationship

## Absolute Maximum Ratings

Reference point Pin 2, unless otherwise specified

Parameters	Symbol	Value	Unit
Current requirement Pin 3 $t \leq 10 \mu\text{s}$	$-I_S$	30	mA
	$-i_s$	100	
Synchronisation current Pin 1 Pin 17 $t < 10 \mu\text{s}$ $t < 10 \mu\text{s}$	$I_{\text{syncI}}$	5	mA
	$I_{\text{syncV}}$	5	
	$\pm i_I$	35	
	$\pm i_I$	35	
<b>f/V converter</b> Pin 8			
Input current $t < 10 \mu\text{s}$	$I_I$	3	mA
	$\pm i_I$	13	
<b>Load limiting</b> Pin 14			
Limiting current, neg. half wave $t < 10 \mu\text{s}$	$I_I$	5	mA
		35	
Input voltage Pin 14 Pin 15	$\pm V_I$	1	V
	$-V_I$	$ V_{16}  \text{ to } 0$	
<b>Phase control</b>			
Input voltage Pin 12	$-V_I$	0 to 7	V
Input current Pin 12 Pin 6	$\pm I_I$	500	$\mu\text{A}$
	$-I_I$	1	mA
<b>Soft-start</b>			
Input voltage Pin 13	$-V_I$	$ V_{16}  \text{ to } 0$	V
<b>Pulse output</b>			
Reverse voltage Pin 4	$V_R$	$V_S \text{ to } 5$	V
<b>Pulse blocking</b>			
Input voltage Pin 18	$-V_I$	$ V_{16}  \text{ to } 0$	V
<b>Amplifier</b>			
Input voltage Pin 11 Pin 9 open Pin 10	$V_I$	0 to $V_S$	V
	$-V_I$	$ V_{16}  \text{ to } 0$	
<b>Reference voltage source</b>			
Output current Pin 16	$I_o$	7.5	mA
<b>Power dissipation</b>			
$T_{\text{amb}} = 45^\circ\text{C}$ $T_{\text{amb}} = 80^\circ\text{C}$	$P_{\text{tot}}$	660	mW
		370	
Storage temperature range	$T_{\text{stg}}$	-40 to +125	$^\circ\text{C}$
Junction temperature	$T_j$	125	$^\circ\text{C}$
Ambient temperature range	$T_{\text{amb}}$	-10 to +100	$^\circ\text{C}$

## Thermal Resistance

Parameters	Symbol	Maximum	Unit
Junction ambient DIP 18 SO 16 on p.c. SO 16 on ceramic	$R_{\text{thJA}}$	120	K/W
		180	
		100	



### Electrical Characteristics

$-V_S = 13.0\text{ V}$ ,  $T_{\text{amb}} = 25^\circ\text{C}$ , reference point Pin 2, unless otherwise specified

Parameters	Test Conditions / Pins	Symbol	Min.	Typ.	Max.	Unit	
Supply voltage for mains operation	Pin 3	$-V_S$	13.0		$V_{\text{Limit}}$	V	
Supply voltage limitation	$-I_S = 4\text{ mA}$ $-I_S = 30\text{ mA}$	Pin 3 $-V_S$ $-V_S$	14.6 14.7		16.6 16.8	V	
DC current requirement	$-V_S = 13.0\text{ V}$	Pin 3	$I_S$	1.2	2.5	3.0	mA
Reference voltage source	$-I_L = 10\text{ }\mu\text{A}$ $-I_L = 5\text{ mA}$	Pin 16	$-V_{\text{Ref}}$	8.6 8.3	8.9 9.1	9.2 9.1	V
Temperature coefficient		Pin 16	$-TC_{V_{\text{Ref}}}$		0.5		mV/K
<b>Voltage monitoring</b>							
Turn-on threshold		Pin 3	$-V_{\text{SON}}$	11.2	13.0		V
Turn-off threshold		Pin 3	$-V_{\text{SOFF}}$	9.9	10.9		V
<b>Phase control currents</b>							
Synchronisation current		Pin 1 Pin 17	$\pm I_{\text{syncI}}$ $\pm I_{\text{syncV}}$	0.35 0.35		2.0 2.0	mA
Voltage limitation	$\pm I_L = 5\text{ mA}$	Pin 1 and 17	$\pm V_I$	1.4	1.6	1.8	V
<b>Reference ramp, figure 7</b>							
Charge current	$I_7 = f(R_6)$ ; $R_6 = 50\text{ K to }1\text{ M}\Omega$	Pin 7	$I_7$	1	20		$\mu\text{A}$
$R_\phi$ -reference voltage	$\alpha \geq 180^\circ$	Pin 6, 3	$V_{\phi\text{Ref}}$	1.06	1.13	1.18	V
Temperature coefficient		Pin 6	$TC_{V_{\phi\text{Ref}}}$		0.5		mV/K
<b>Pulse output, figure 18</b>							
Output pulse current	$R_{\text{GT}} = 0$ , $V_{\text{GT}} = 1.2\text{ V}$		$I_o$	100	155	190	mA
Reverse current			$I_{\text{or}}$		0.01	3.0	$\mu\text{A}$
Output pulse width	$C_\phi = 10\text{ nF}$				80		$\mu\text{s}$
<b>Amplifier</b>							
Common mode signal range		Pin 10, 11	$V_{10, 11}$	$V_{16}$		-1	V
Input bias current		Pin 11	$I_{\text{IO}}$		0.01	1	$\mu\text{A}$
Input offset voltage		Pin 10/11	$V_{10}$		10		mV
Output current		Pin 12	$-I_o$ $+I_o$	75 88	110 120	145 165	$\mu\text{A}$
Short circuit forward, transmittance	Figure 14 $I_{12} = f(V_{10, 11})$	Pin 12	$Y_f$		1000		$\mu\text{A/V}$
<b>Pulse blocking, tachometer monitoring</b>							
Logic-on			$-V_{\text{TON}}$	3.7	1.5		V
Logic-off			$-V_{\text{TOFF}}$		1.25	1.0	
Input current	$V_{18} = V_{\text{TOFF}} = 1.25\text{ V}$ $V_{18} = V_{16}$		$I_I$	14.5	0.3	1	$\mu\text{A}$
Output resistance			$R_o$	1.5	6	10	k $\Omega$
<b>Frequency to voltage converter</b>							
Input bias current		Pin 8	$I_{\text{IB}}$		0.6	2	$\mu\text{A}$
Input voltage limitation	Figure 13 $I_I = -1\text{ mA}$ $I_I = +1\text{ mA}$		$-V_I$ $+V_I$	660 7.25		750 8.05	mV V

# U211B2

# TEMIC

TELEFUNKEN Semiconductors

Parameters	Test Conditions / Pins	Symbol	Min.	Typ.	Max.	Unit
Turn-on threshold		$-V_{TON}$		100	150	mV
Turn-off threshold		$-V_{TOFF}$	20	50		mV
<b>Charge amplifier</b>						
Discharge current	Figure 2 $C_5 = 1 \text{ nF}$ , Pin 9	$I_{dis}$		0.5		mA
Charge transfer voltage	Pin 9 - 16	$V_{ch}$	6.50	6.70	6.90	V
Charge transfer gain	$I_{10}/I_9$ Pin 9/10	$G_i$	7.5	8.3	9.0	
Conversion factor	Figure 2 $C_5 = 1 \text{ nF}$ , $R_6 = 100 \text{ k}\Omega$	K		5.5		mV/Hz
Output operating range	Pin 10 - 16	$V_O$		0-6		V
Linearity				$\pm 1$		%
<b>Soft-start, figures 8, 9, 10, 11, 12 f/v-converter non-active</b>						
Starting current	$V_{13} = V_{16}$ , $V_8 = V_2$ Pin 13	$I_O$	20	45	55	$\mu\text{A}$
Final current	$V_{13} = 0.5$ Pin 13		50	85	130	
<b>f/v-converter active</b>						
Starting current	$V_{13} = V_{16}$ Pin 13	$I_O$	2	4	7	$\mu\text{A}$
Final current	$V_{13} = 0.5$		30	55	80	
Discharge current	Restart pulse Pin 13	$I_O$	0.5	3	10	mA
<b>Automatic retriggering, figure 19 Pin 5</b>						
Repetition rate	$R_{5,3} = 0$		3	4.5	6	$t_p$
	$R_{5,3} = 15 \text{ k}\Omega$			20		
<b>Load limiting, figures 15, 16, 17 Pin 14</b>						
Operating voltage range		$V_I$	-1.0		1.0	V
Offset current	$V_{10} = V_{16}$	$I_O$	5		12	$\mu\text{A}$
Input current	$V_{10} = 4.5 \text{ V}$	$I_I$	60	90	120	
<b>With reference point Pin 15</b>						
Offset current	$V_{14} = V_2$ via $1 \text{ k}\Omega$	$I_O$		0.1	1.0	$\mu\text{A}$
Output current	$V_{14} = 300 \text{ V}$		110		140	
Switched-on threshold		$V_{ITON}$	7.05	7.4	7.7	V

## Design calculations for mains supply

The following equations can be used for the evaluation of the series resistor  $R_1$  for worst case conditions:

$$R_{1\max} = 0.85 \frac{V_{M\min} - V_{S\max}}{2 I_{\text{tot}}} \quad R_{1\min} = \frac{V_M - V_{S\min}}{2 I_{S\max}}$$

$$P_{(R1\max)} = \frac{(V_{M\max} - V_{S\min})^2}{2 R_1}$$

where:

- $V_M$  = Mains voltage
- $V_S$  = Supply voltage on Pin 4
- $I_{\text{tot}}$  = Total DC current requirement of the circuit  
=  $I_S + I_p + I_x$
- $I_{S\max}$  = Current requirement of the IC in mA
- $I_p$  = Average current requirement of the triggering pulse

$I_x$  = Current requirement of other peripheral components  
 $R_1$  can be easily evaluated from the diagrams figures 21 and 22.

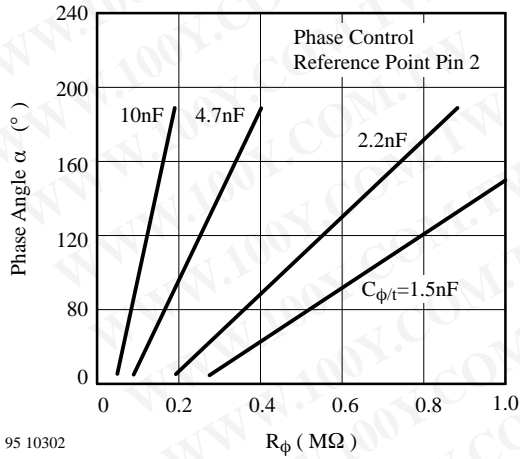


Figure 7.

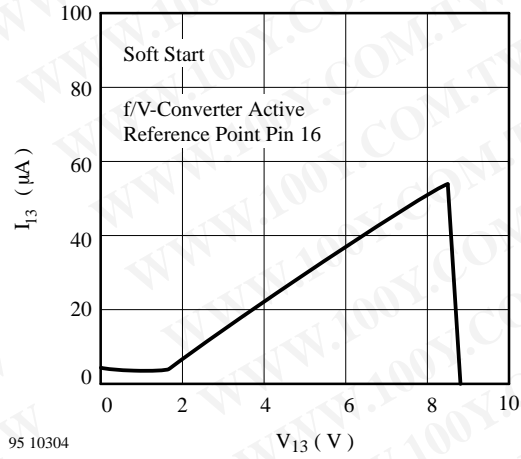


Figure 9.

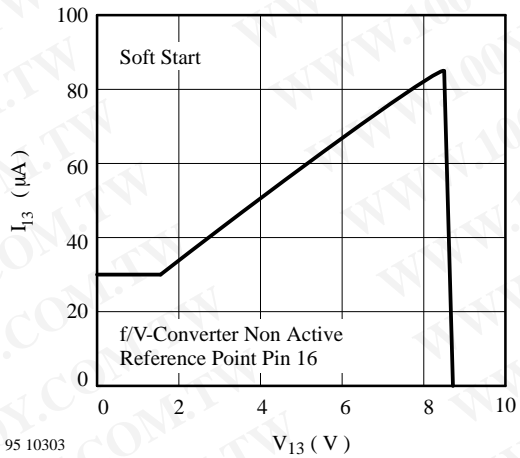


Figure 8.

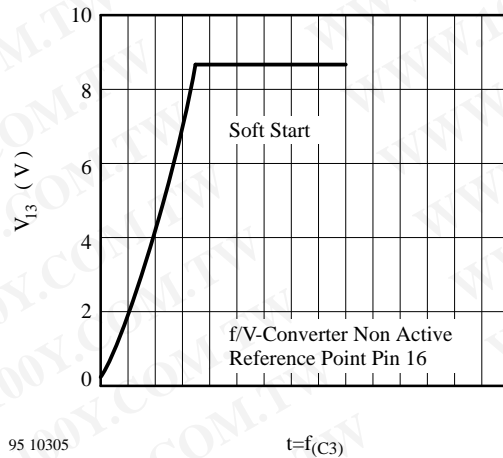


Figure 10.

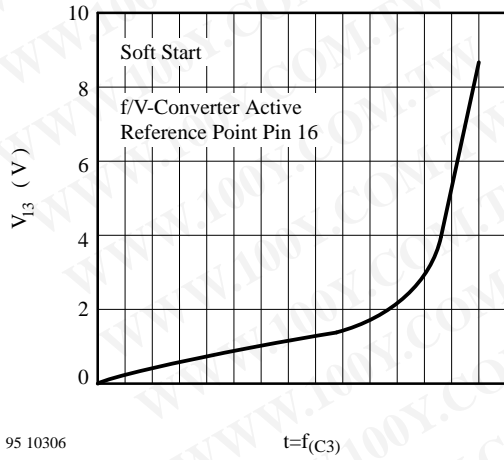


Figure 11.

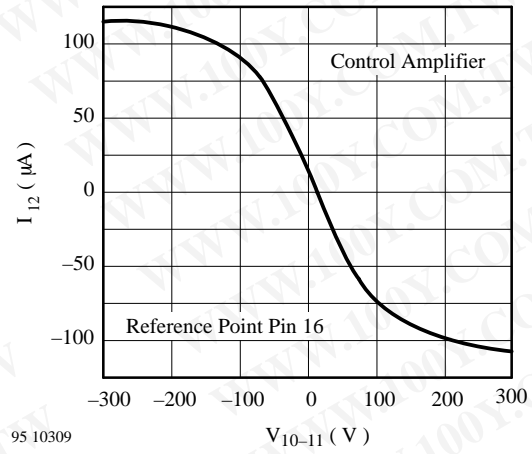


Figure 14.

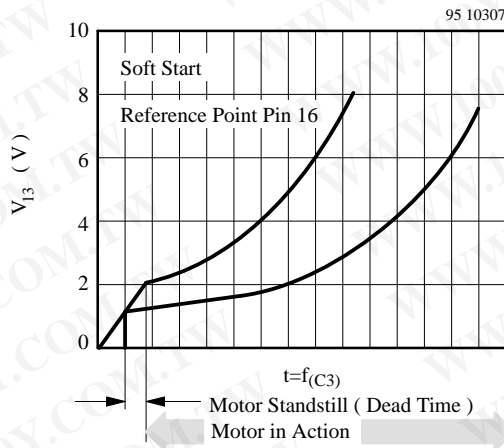


Figure 12.

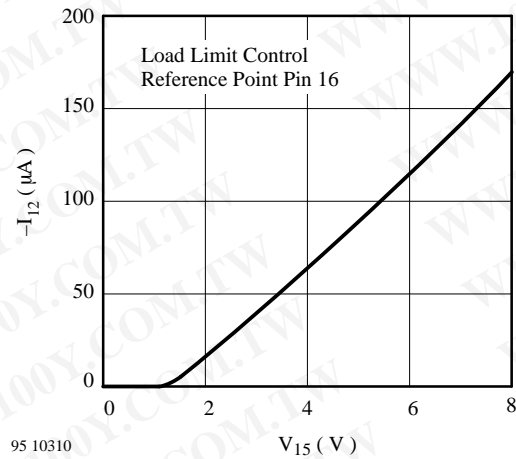


Figure 15.

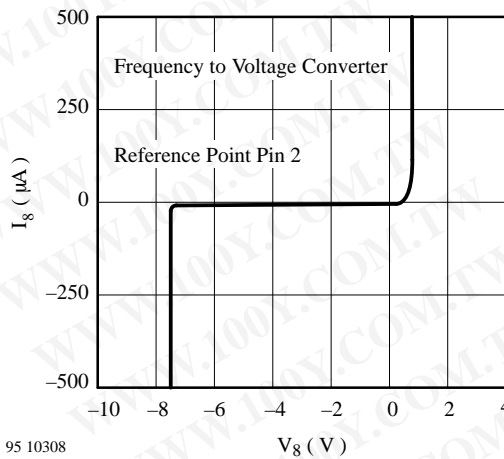


Figure 13.

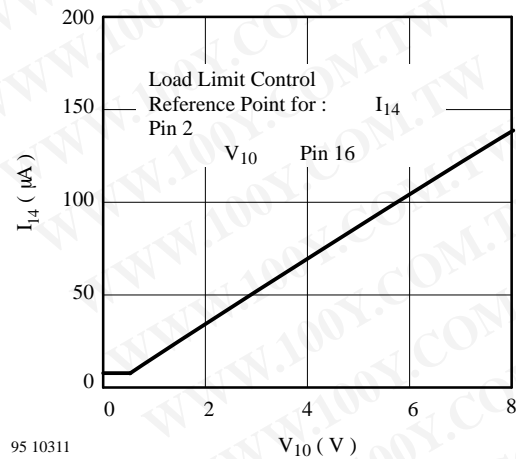


Figure 16.

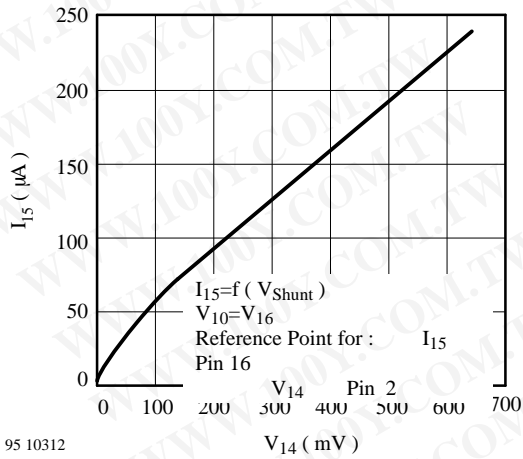


Figure 17.

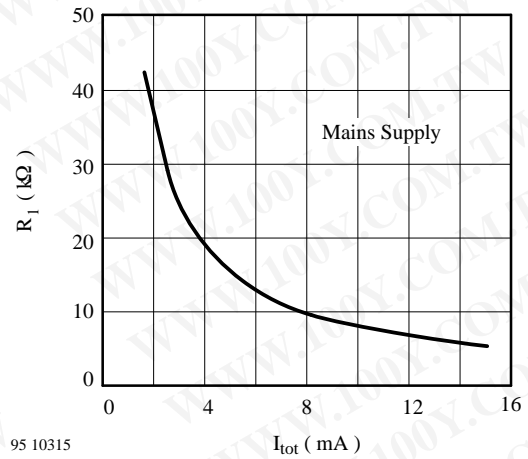


Figure 20.

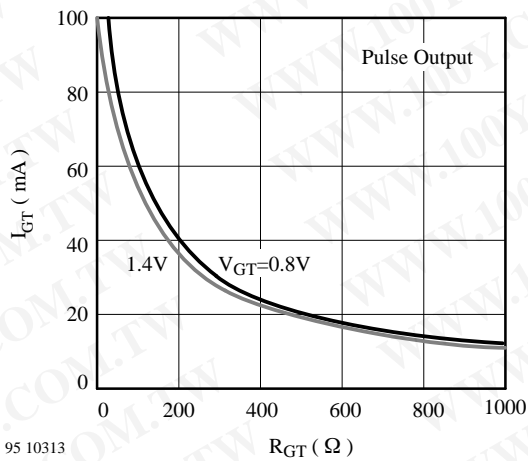


Figure 18.

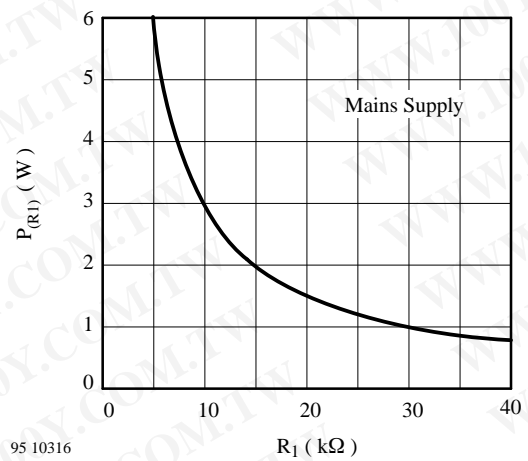


Figure 21.

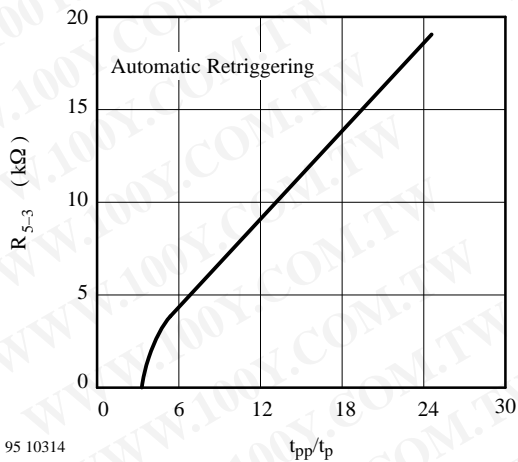


Figure 19.

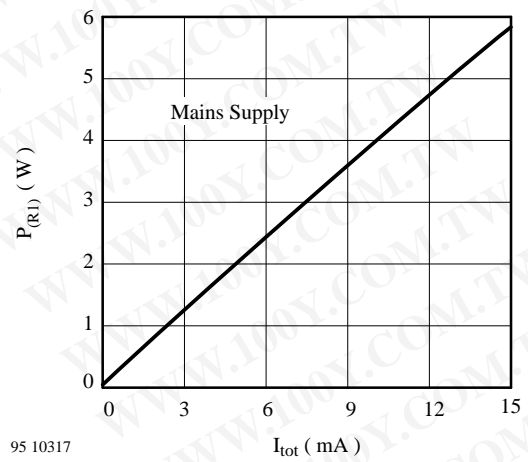


Figure 22.

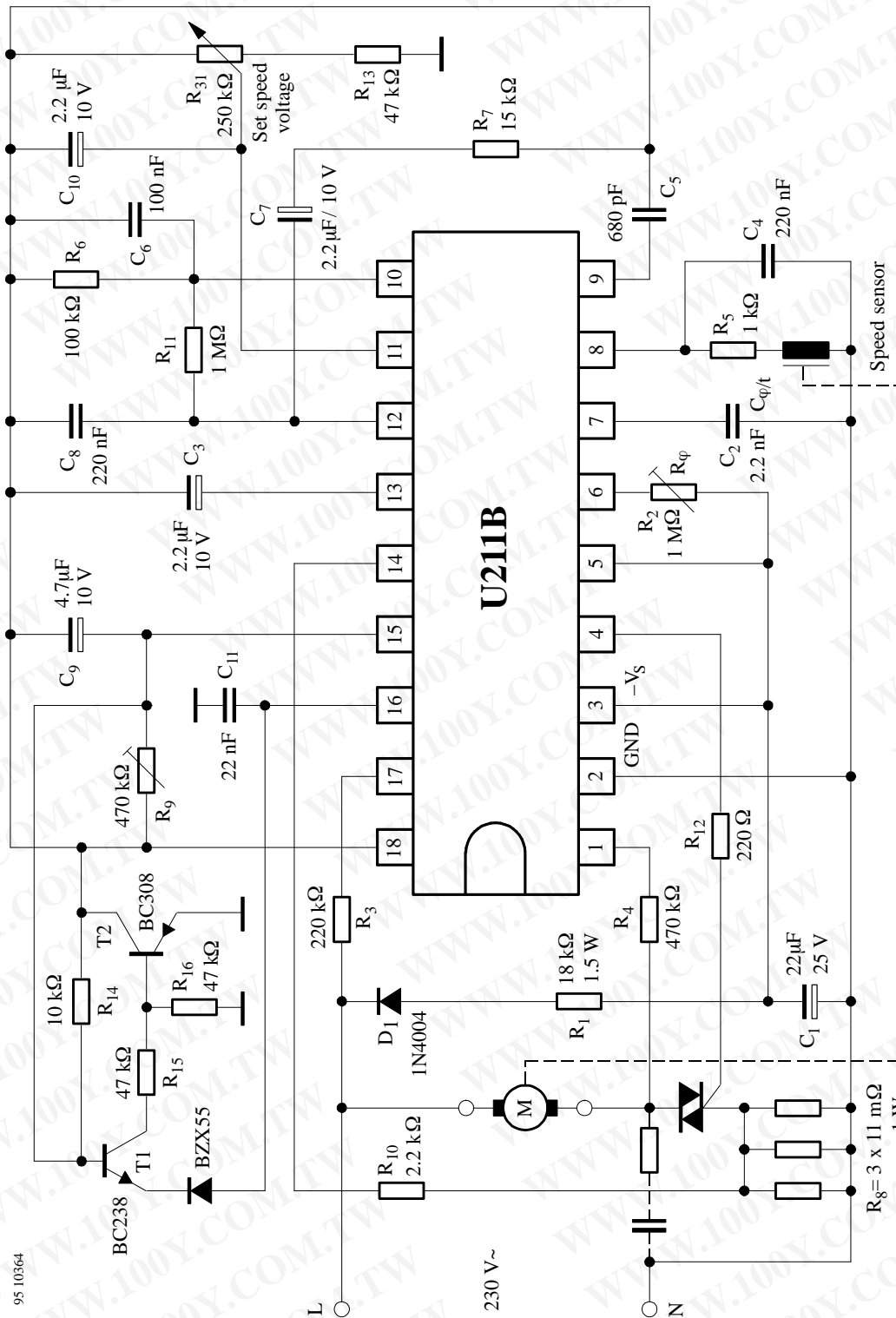


Figure 23. Speed control, automatic retriggering, load switch-off, soft start

The switch-off level at maximum load shows in principle the same speed dependency as the original version (see figure 2), but when reaching the maximum load, the motor is switched off completely.

This function is effected by the thyristor formed by T<sub>1</sub> and T<sub>2</sub> which ignites when the voltage at Pin 15 reaches ca. 6.8 V (Reference point Pin 16). The circuit is thereby switched into the "stand-by" over the release Pin 18.

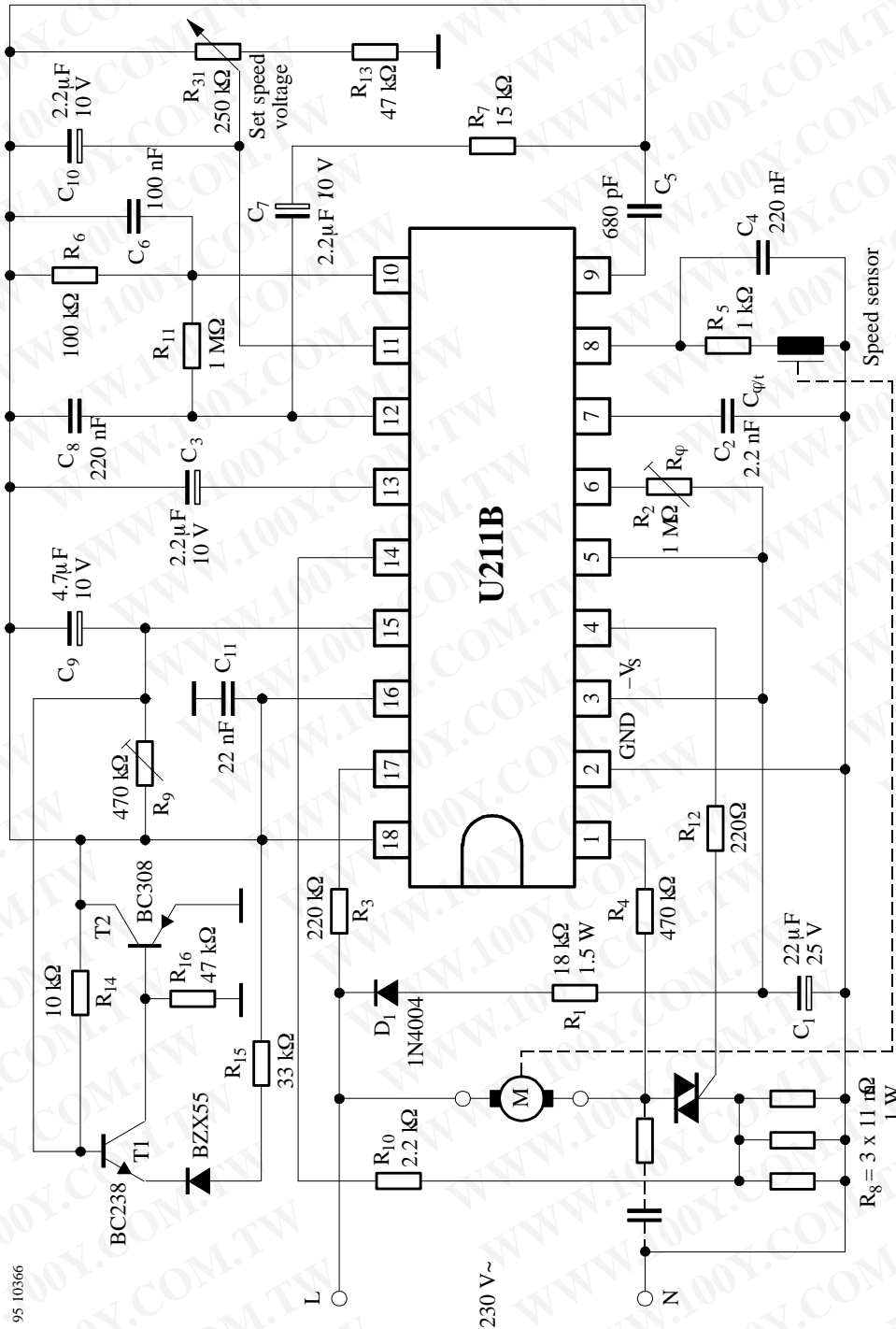


Figure 24. Speed control, automatic retriggering, load switch-off, soft-start

The maximum load regulation shows the principle in the same speed dependency as the original version (see figure 2). When reaching the maximum load, the control unit is turned to  $\alpha_{\max}$ , adjustable with  $R_2$ . Then only  $I_O$  flows. This function is effected by the thyristor, formed by  $T_1$  and  $T_2$  which ignites as soon as the voltage at Pin 15

reaches ca. 6.8 V (Reference point Pin 16). The potential at Pin 15 is lifted and kept by  $R_{14}$  over the internally operating threshold whereby the maximum load regulation starts and adjusts the control unit constantly to  $\alpha_{\max}$  ( $I_O$ ), inspite of a reduced load current. The motor shows that the circuit is still in operation by a quiet buzzing noise.

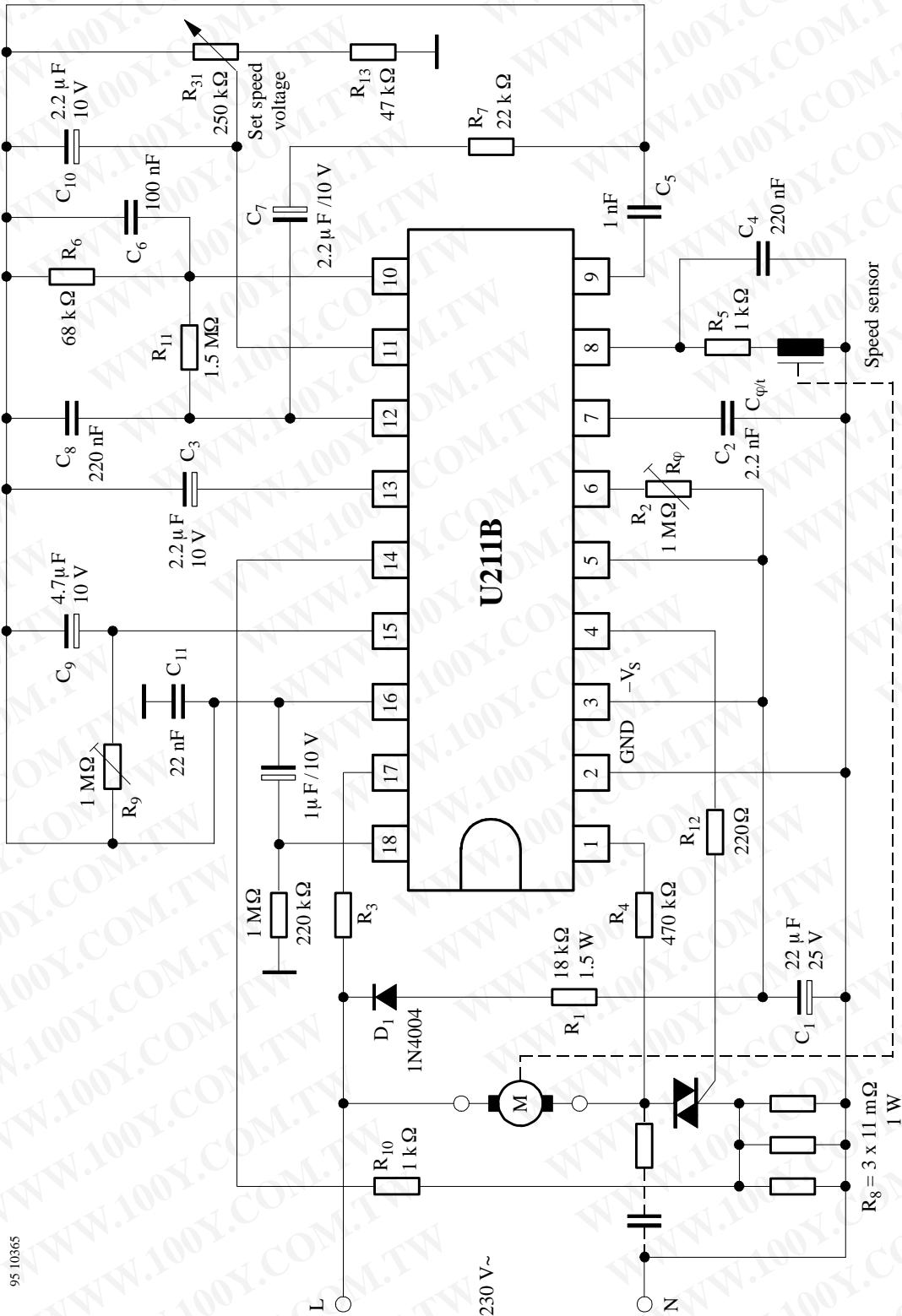


Figure 25. Speed control, automatic retriggering, load limiting, soft-start, tacho control



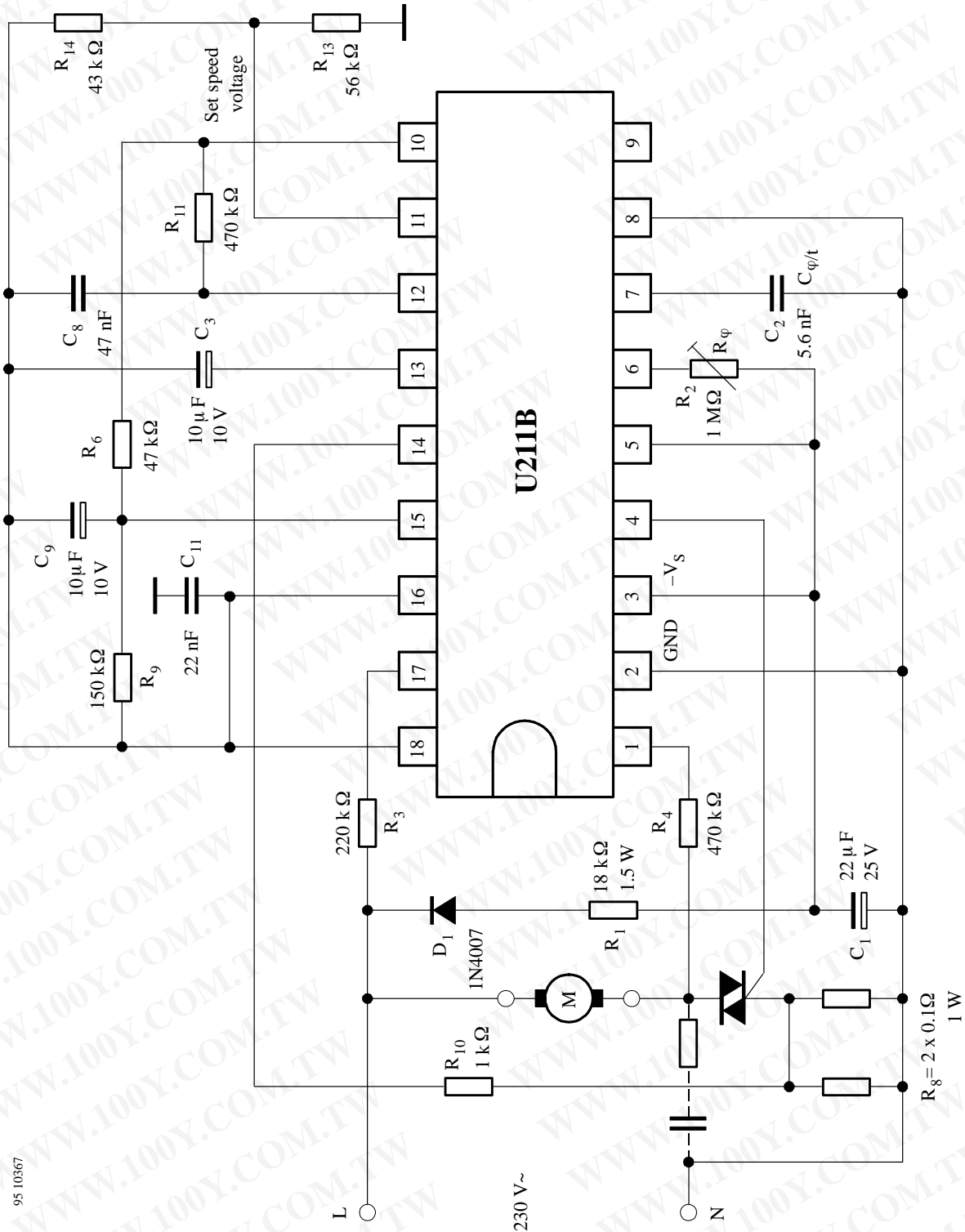


Figure 26. Automatic retriggering, soft-start, reswitching at 1/3 of maximum power

# U211B2

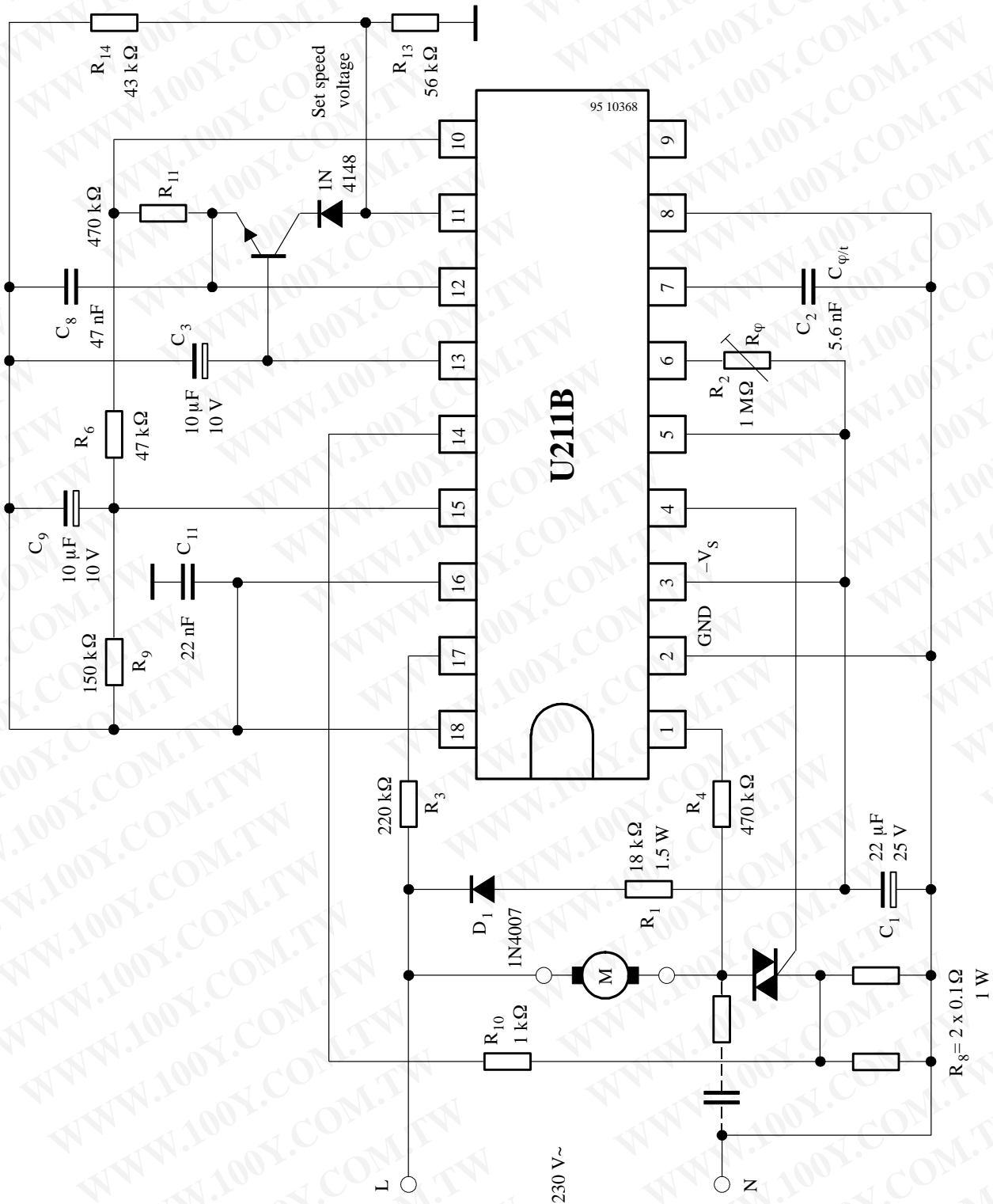


Figure 27. Automatic retriggering, soft-start, reswitching at  $\alpha_{max}$

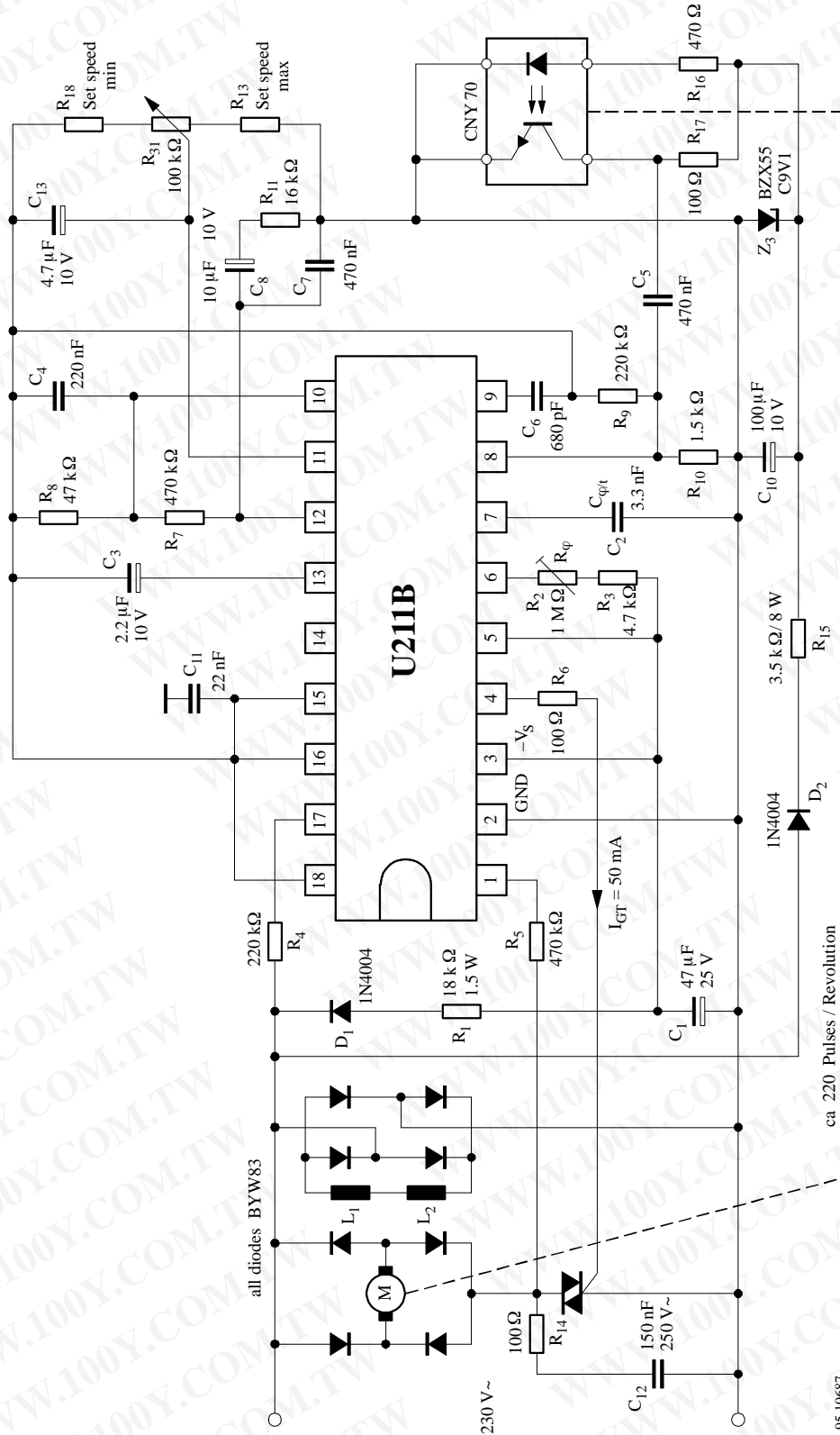


Figure 28. Speed control with reflective optocoupler CNY 70 as emitter

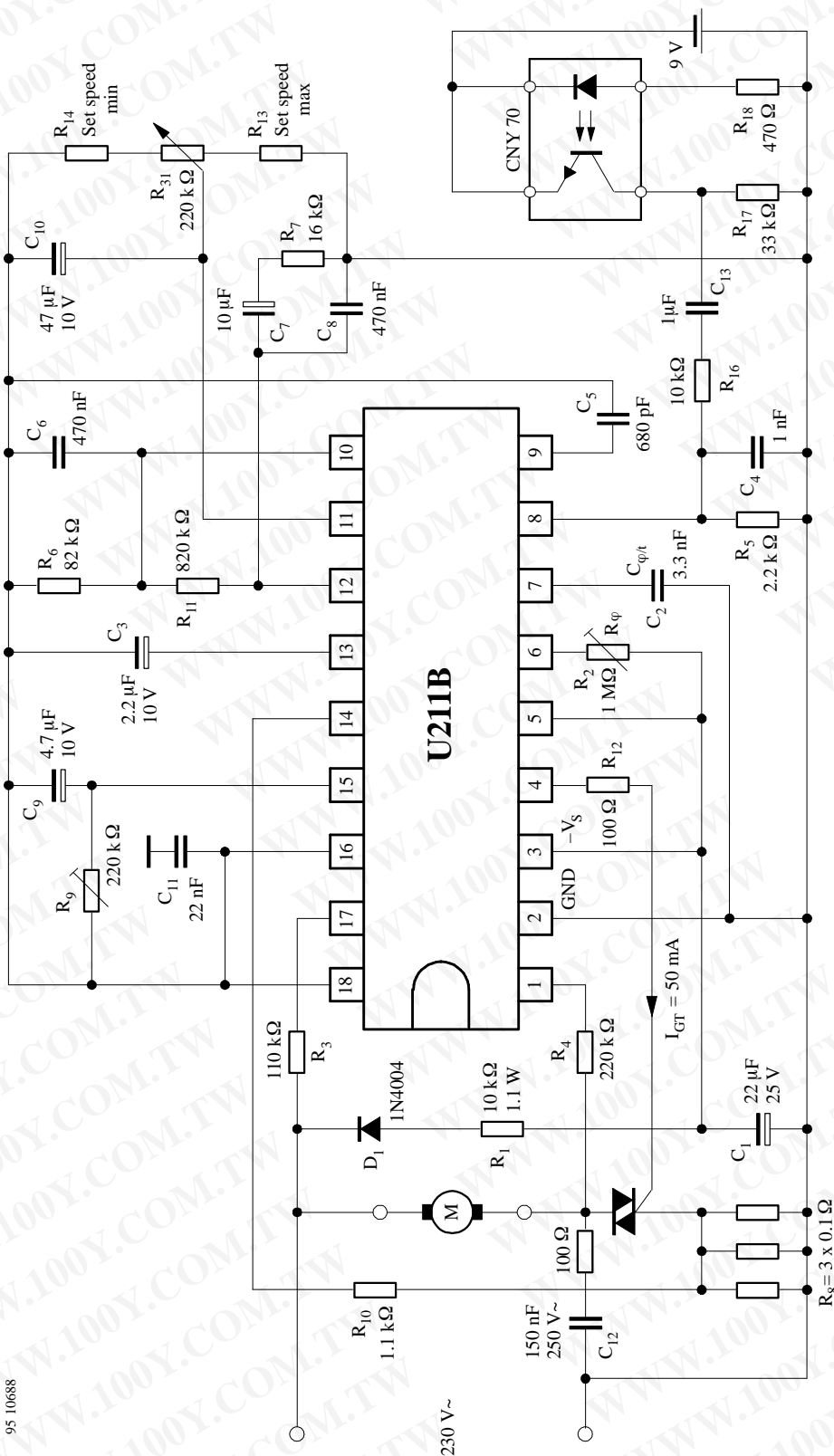


Figure 29. Speed control, max. load control with reflective opto coupler CNY 70 as emitter

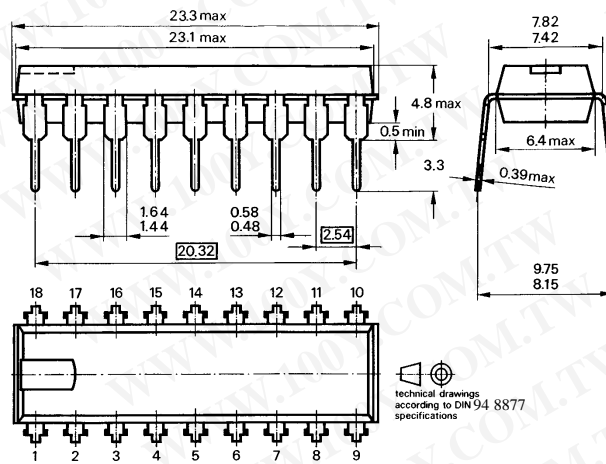
The circuit is designed as a speed control on the reflection-coupled principle with 4 periods per revolution and a max. speed of 30,000 rpm. The separation of the coupler from the rotating aperture should be ca. 1 mm. In this experimental circuit the power supply for the coupler was provided externally because of the relatively high current consumption.

Instructions for adjusting:

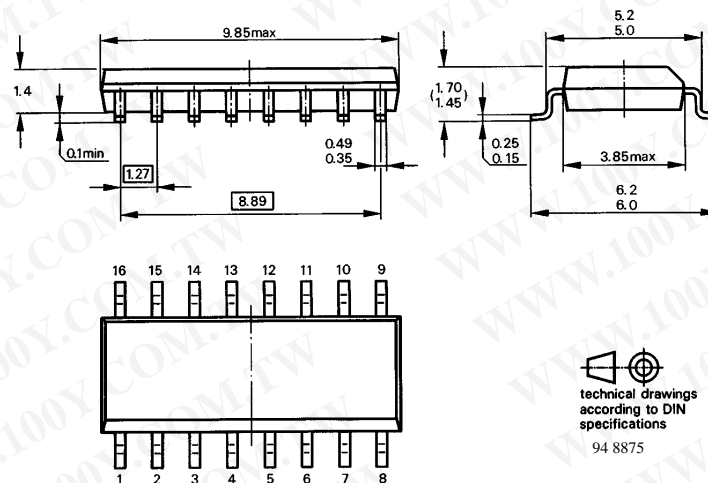
- In the initial adjustment of the phase-control circuit  $R_2$  should be adjusted so that when  $R_{14} = 0$  and  $R_{31}$  are in min. position, the motor just turns.
- The speed can now be adjusted as desired by means of  $R_{31}$  between the limits determined by  $R_{13}$  and  $R_{14}$ .
- The switch-off power of the limit-load control can be set by  $R_9$ . The lower  $R_9$ , the higher the switch-off power.

### Dimensions in mm

Package: DIP18



Package: SO16



## Ozone Depleting Substances Policy Statement

It is the policy of **TEMIC TELEFUNKEN microelectronic GmbH** to

1. Meet all present and future national and international statutory requirements.
2. Regularly and continuously improve the performance of our products, processes, distribution and operating systems with respect to their impact on the health and safety of our employees and the public, as well as their impact on the environment.

It is particular concern to control or eliminate releases of those substances into the atmosphere which are known as ozone depleting substances (ODSs).

The Montreal Protocol (1987) and its London Amendments (1990) intend to severely restrict the use of ODSs and forbid their use within the next ten years. Various national and international initiatives are pressing for an earlier ban on these substances.

**TEMIC TELEFUNKEN microelectronic GmbH** semiconductor division has been able to use its policy of continuous improvements to eliminate the use of ODSs listed in the following documents.

1. Annex A, B and list of transitional substances of the Montreal Protocol and the London Amendments respectively
2. Class I and II ozone depleting substances in the Clean Air Act Amendments of 1990 by the Environmental Protection Agency (EPA) in the USA
3. Council Decision 88/540/EEC and 91/690/EEC Annex A, B and C (transitional substances) respectively.

**TEMIC** can certify that our semiconductors are not manufactured with ozone depleting substances and do not contain such substances.

**We reserve the right to make changes to improve technical design and may do so without further notice.**

Parameters can vary in different applications. All operating parameters must be validated for each customer application by the customer. Should the buyer use TEMIC products for any unintended or unauthorized application, the buyer shall indemnify TEMIC against all claims, costs, damages, and expenses, arising out of, directly or indirectly, any claim of personal damage, injury or death associated with such unintended or unauthorized use.

TEMIC TELEFUNKEN microelectronic GmbH, P.O.B. 3535, D-74025 Heilbronn, Germany  
Telephone: 49 (0)7131 67 2831, Fax number: 49 (0)7131 67 2423