

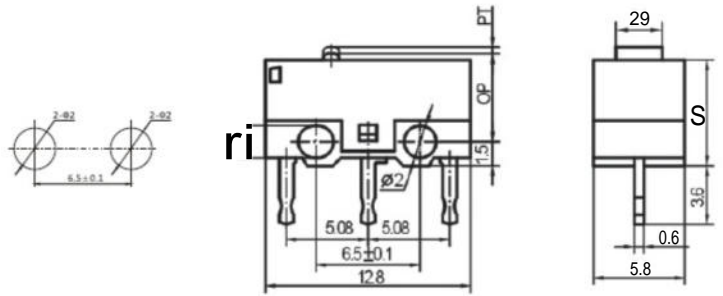
KW10 Series Specification

1. Rating: 2A 125/250VAC
2. Contact Resistance: 30m Q max
3. Insulation Resistance: 250VDC 100M Q min

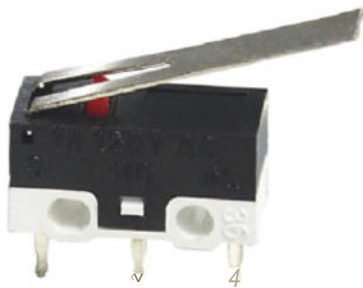
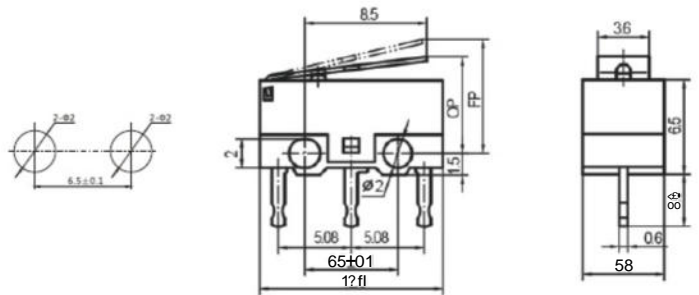
1. Dielectric strength: 1000VAC, 1 Minute
2. Ambient Temperature: -25°C ~ +65°C
3. Electrical Life: 30,000 Cycles



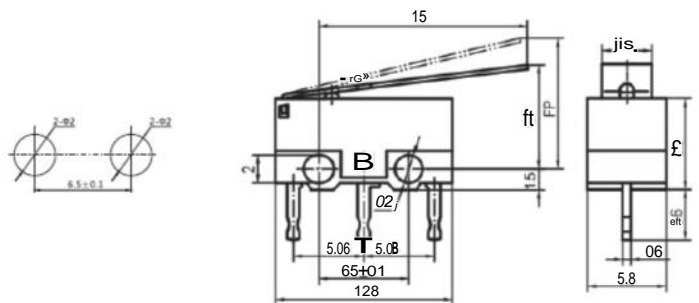
KW10-Z0P
No lever



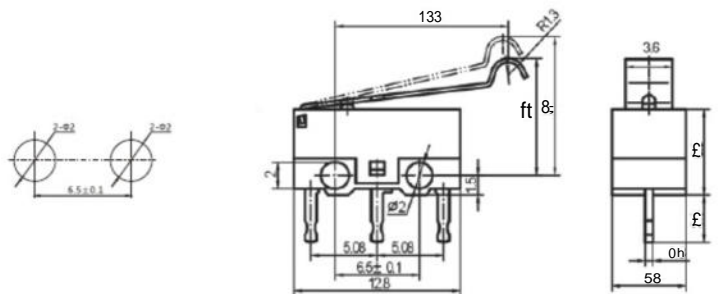
KW10-Z1P
Short lever



KW10-Z2P
Long lever



KW10-Z3P
Arc lever



KW10-Z4P
Roller lever

