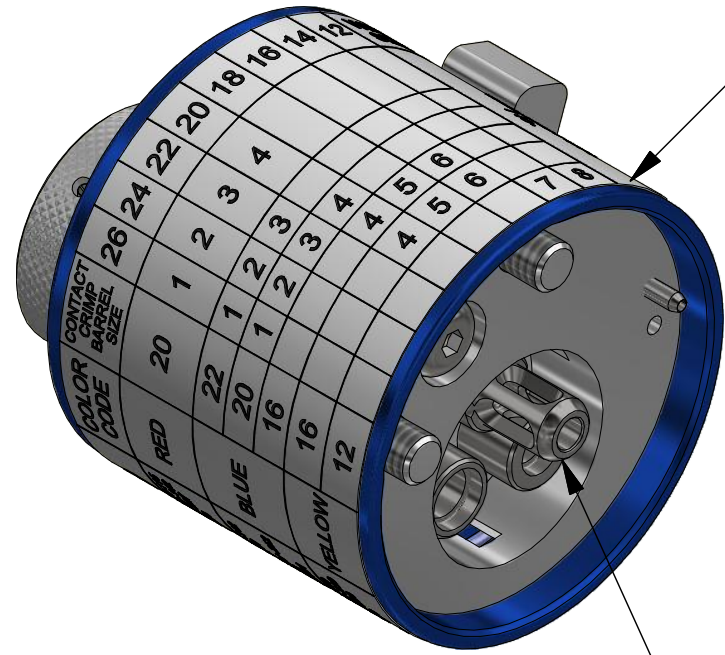


REVISIONS

REV	ECO NO.	DESCRIPTION	BY	DATE	APP'D BY	DATE
1		REDRAWN	AAM	7/7/1998	DE	7/7/1998
2		REVISED DATAPLATE	JWJ	2/9/1999	RRR	2/2/1999
3	23573	UPDATED & REDRAWN	TonyD	2/20/2015		
4	25000	DATAPLATE UPDATED	TonyD	5/6/2020		



DATAPLATE

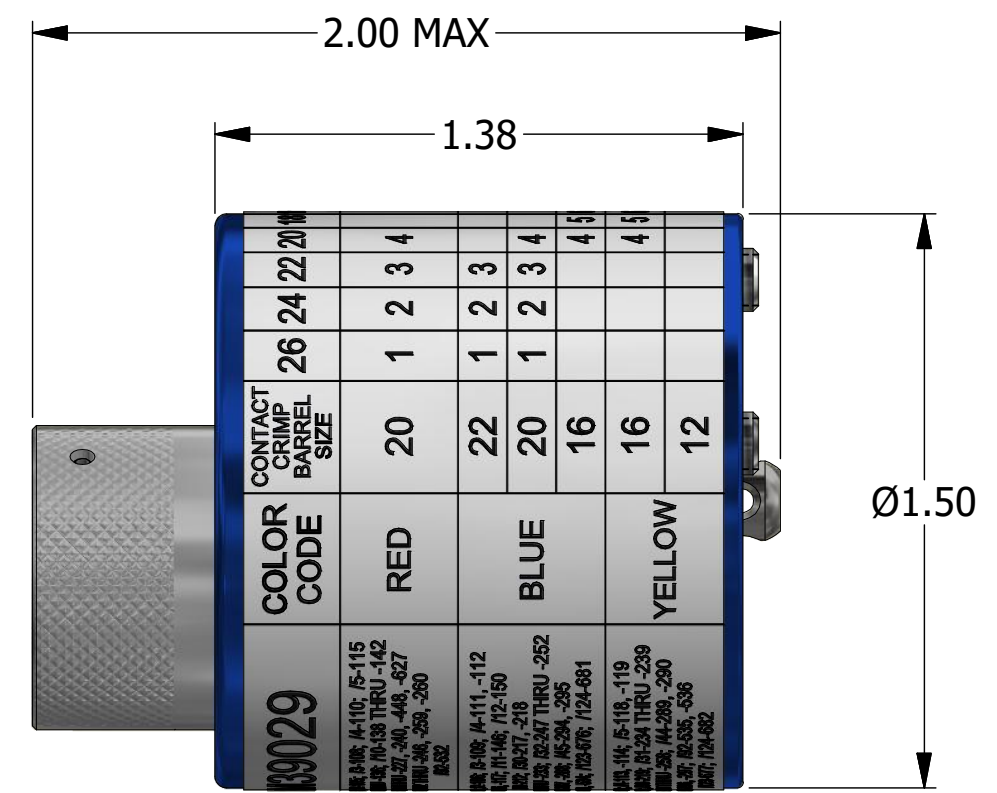
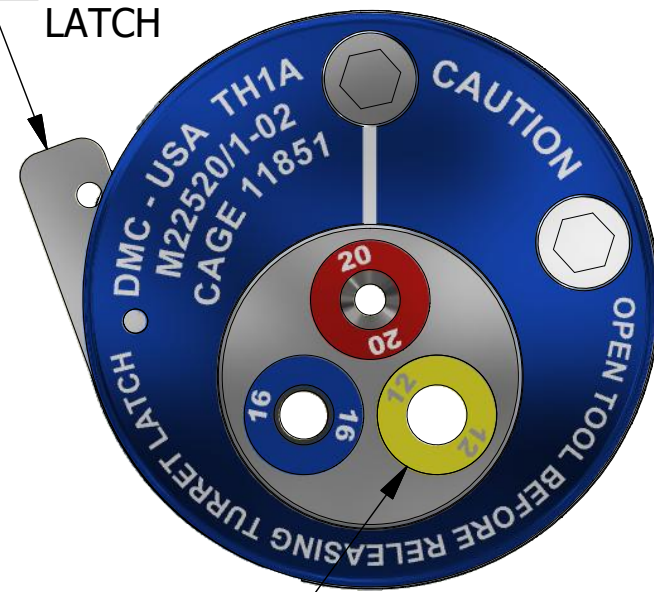
M39029	COLOR CODE	CONTACT CRIMP BARREL SIZE	26	24	22	20	18	16	14	12	WIRE SIZE
/1-101; /2-105; /3-108; /4-110; /5-115 /9-132 THRU -136; /10-138 THRU -142 /31-223 THRU -227, -240, -448, -627 /32-242 THRU -246, -259, -260 /92-532	RED	20	1	2	3	4					SELECTOR No.
/1-102; /2-106; /3-109; /4-111, -112 /5-116, -117; /11-146; /12-150 /29-212; /30-217, -218 /31-228 THRU -233; /32-247 THRU -252 /44-287, -288; /45-294, -295 /92-533, -534; /123-676; /124-681	BLUE	22	1	2	3						
		20	1	2	3	4					
/1-103; /4-113, -114; /5-118, -119 /29-213; /30-219; /31-234 THRU -239 /32-253 THRU -258; /44-289, -290 /45-296, -297; /92-535, -536 /123-677; /124-682	YELLOW	16			4	5	6				
		12						7	8		

**UNCONTROLLED DOCUMENT
WILL NOT BE UPDATED**
DIMENSIONS IN INCHES - UNLESS OTHERWISE SPECIFIED

3X POSITIONER INSERTS



TURRET LATCH



RANDOM ORDER OF ROTATION IS ACCEPTABLE FOR POSITIONERS INSERTS

INSERT COLOR	HOLE DIMENSIONS	ADDITIONAL FEATURES
RED	Ø.081 ▽THRU	└┐Ø.106 ▽.30
BLUE	Ø.125 ▽THRU	└┐Ø.156 ▽.055
YELLOW	Ø.173 ▽.THRU	└┐Ø.206 ▽.055

RESTRICTED & CONFIDENTIAL
CONFIDENTIAL PROPERTY OF DANIELS MANUFACTURING CORP. NOT TO BE DISCLOSED TO OTHERS. REPRODUCTION OR USED FOR ANY OTHER PURPOSE EXCEPT AS AUTHORIZED IN WRITING BY DANIELS MANUFACTURING. MUST BE RETURNED TO DANIELS MANUFACTURING CORP. ON COMPLETION OF ORDER OR PURPOSES FOR WHICH LENT.
CREATED FROM AN INVENTOR MODEL. CHANGES MUST BE REFLECTED IN THE 3D PART
DO NOT SCALE DRAWING

MATERIAL	ITEM	PART NO.	QTY.	DESCRIPTION / REMARKS
N/A	DRN. A. MOO-YOUNG CHK'D.	DATE 7/7/1998 DATE		DANIELS MANUFACTURING CORP. ORLANDO, FLORIDA CAGE 11851
HEAT TREAT				TITLE TURRET HEAD (M22520/1-02) ENVELOPE DRAWING
FINISH				WHERE USED: AF8 SIZE B SCALE 2:1 CAD P/N TH1A-ENV SHEET 1 OF 1 DWG. NO. TH1A REV. 4
				NOTE: THIS DRAWING IS AN OUTLINE DRAWING OF THE RESPECTIVE DMC PART NUMBER INDICATED. ACTUAL DMC PART NUMBER IS CAD PART NUMBER WITHOUT THE "-ENV" SUFFIX

Mouser Electronics

Authorized Distributor

Click to View Pricing, Inventory, Delivery & Lifecycle Information:

[Daniels Manufacturing:](#)

[M22520/1-02](#) [TH1A](#)