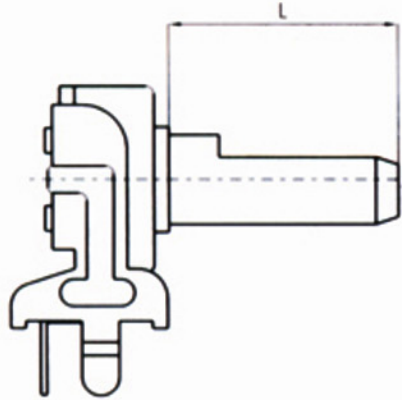


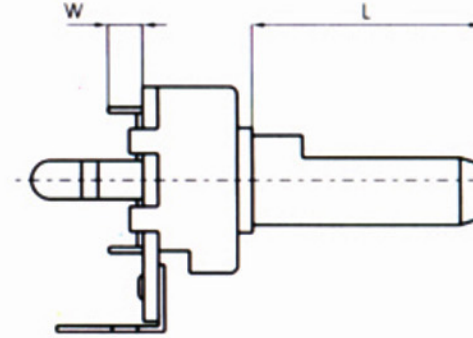
Type of shaft:軸的型式:

INSULATED SHAFT

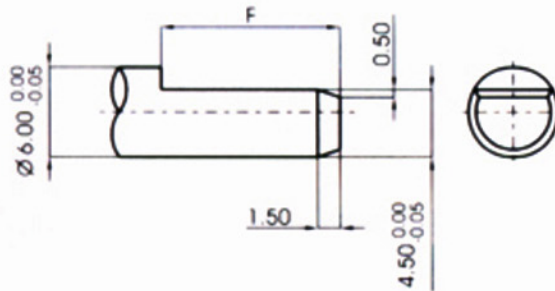
Horizontal



Vertical



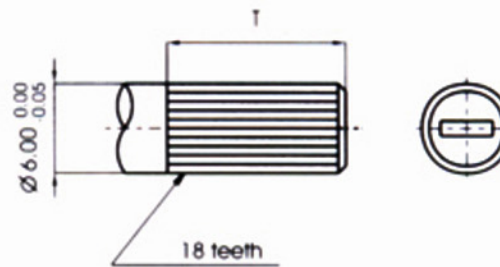
Y	1	2
W	2.7	2.3



F TYPE:

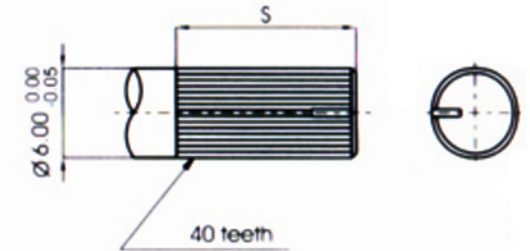
* C0.5:only 5F

X	L	K	I	J	A	H	B	C
L	5	7	10	10	15	15	20	25
F	5	7	7	8	7	12	12	12



T TYPE:

X	V	W	Y	Z			
L	5	10	15	20			
T	5	10	15	15			

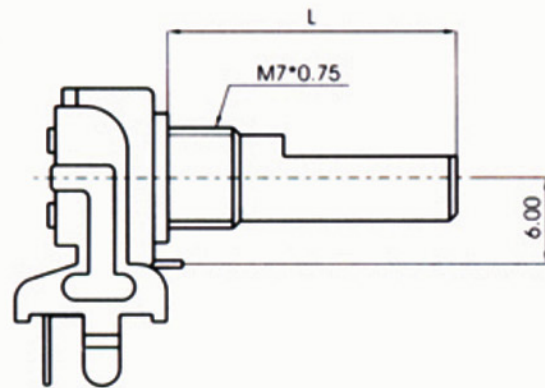


S TYPE:

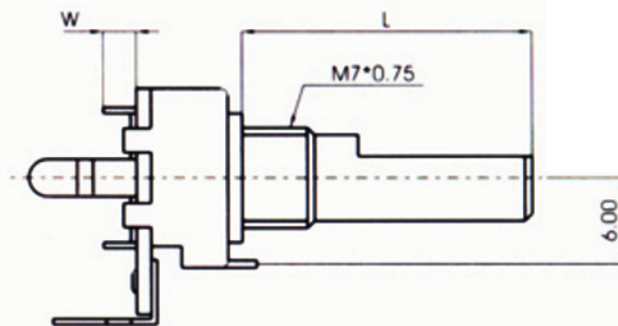
X	N	O	R				
L	10	15	20				
S	7	10	12				

METAL SHAFT

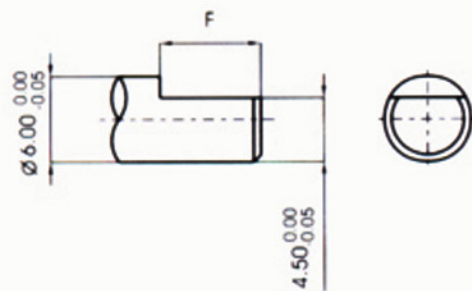
Horizontal



Vertical

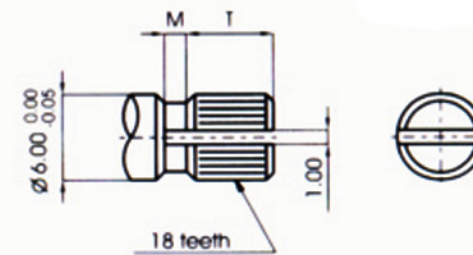


Y	1	2
W	2.7	2.3



F TYPE:

X	F	A	B	C			
L	10	15	20	25			
F	4	7	12	12			

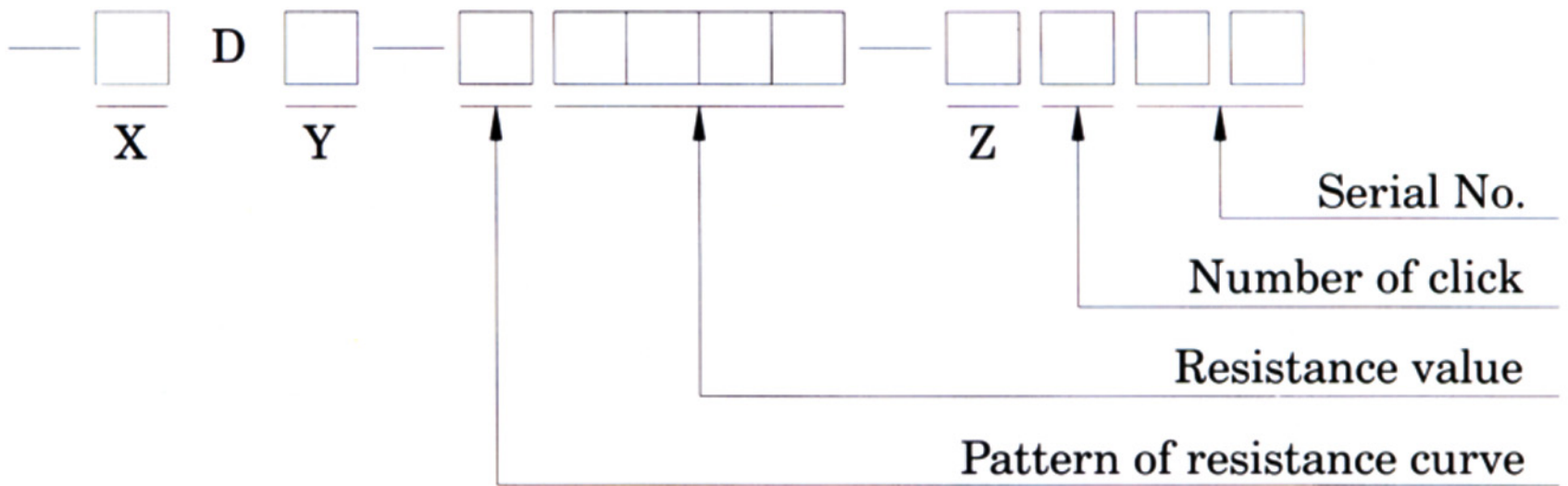


KQ TYPE:

X	1	2	3	4			
L	10	15	20	25			
T	3.5	7.5	10	10			
M	0.5	1	2	4			

Specialty:特制品:

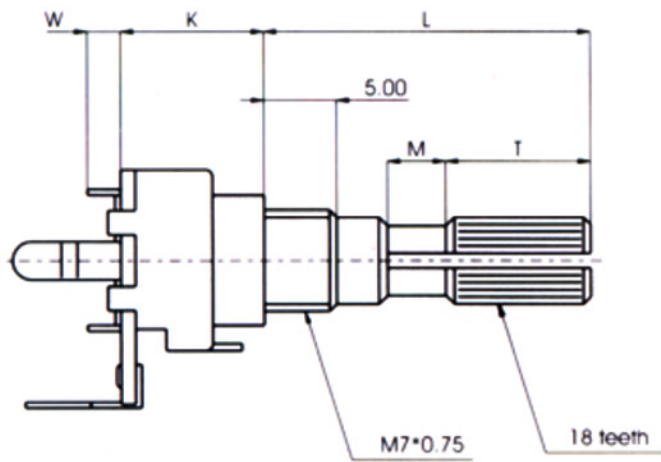
R1212N
R1212G



METAL SHAFT

Vertical

Y	1	2
W	2.7	2.3

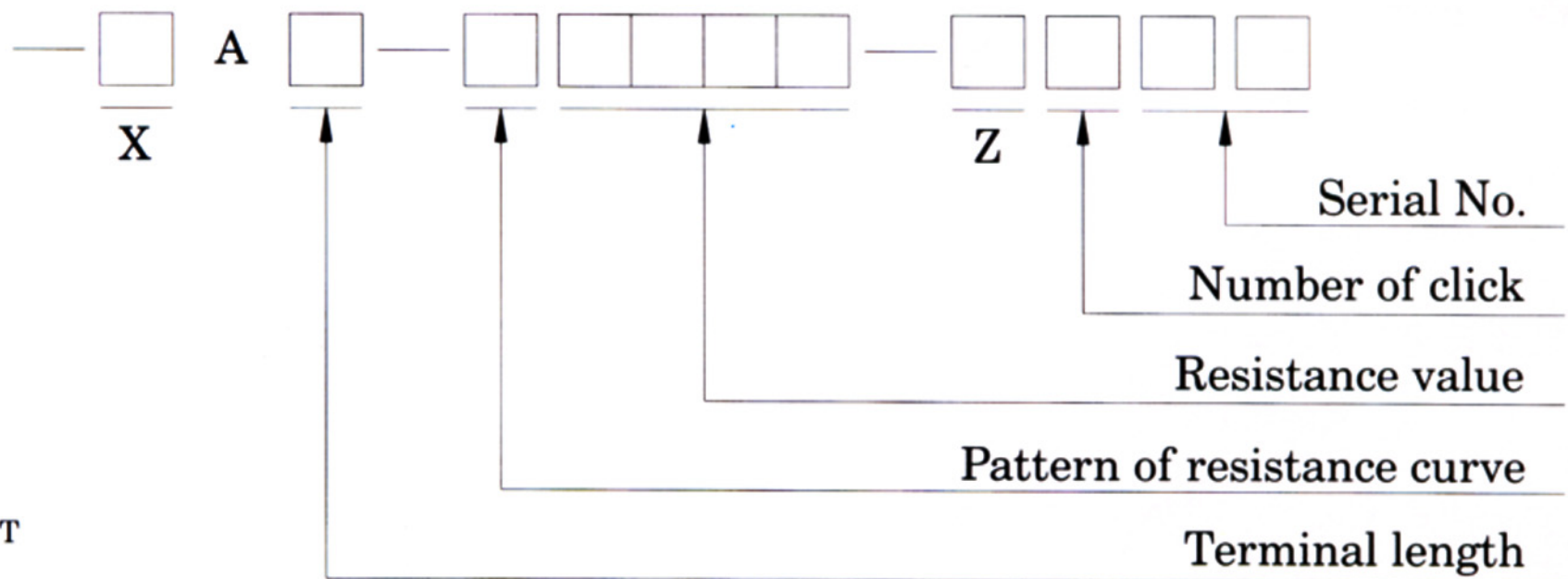


Z	1		
K	9.85		

KQ TYPE: (for Z=1)

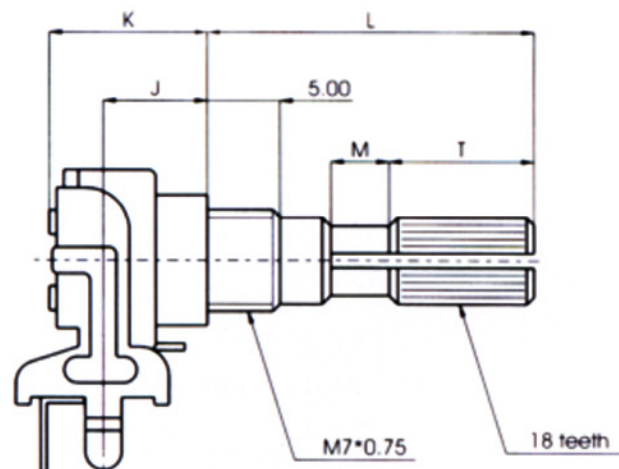
X	7			
L	22.5			
T	10			
M	4			

R1212N
R1212G



METAL SHAFT

Horizontal



Z	1		
J	7.15		
K	10.85		

KQ TYPE: (for Z=1)

X	7			
L	22.5			
T	10			
M	4			

Mechanical characteristics: 機械的性能:

Total rotational angle 總旋轉角度	$300^{\circ} \pm 10^{\circ}$
Rotational torque 旋轉力矩	2 ~ 15mN.m (20 ~ 150gf.cm)
Rotation stopper strength 止擋強度	0.4N.m (4kgf.cm)
Push pull strength 軸推拉強度	40N (4kgf)
Click position C.C. 位置	Center click

Electrical characteristics: 電氣的性能:

Total resistance 總阻值	5K Ω -2M Ω
Total resistance tolerance 總阻偏差	$\pm 20\%$ more than 1M Ω $\pm 30\%$
Rated power 額定功率	curve B:0.04W other than B:0.02W
Max. operating voltage 最高使用電壓	curve B:100V other than B:50V
Resistance taper 阻值規律	A , B , C
Residual resistance 殘留阻值	$R \geq 250K \Omega$ 0.1% max. of total resistance $10K \Omega < R < 250K \Omega$ 20 Ω max. $R \leq 10k \Omega$ 10 Ω max.
Insulation resistance 絕緣電阻	more than 50M Ω at DC 250V
Gang error 同步誤差	-40 ~ 0dB $\leq \pm 3$ dB

Durability:耐久的性能:

Rotational life 旋轉壽命	15,000 cycles
-------------------------	---------------