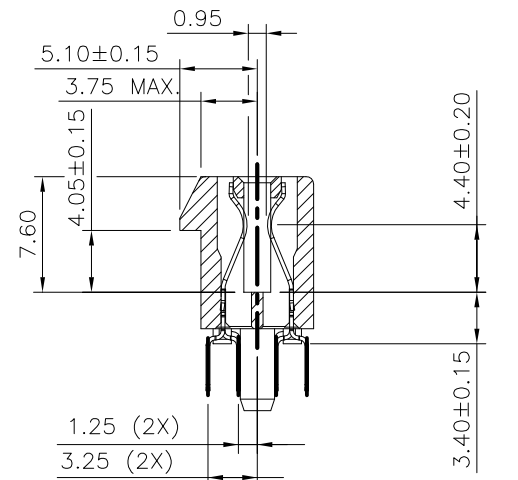
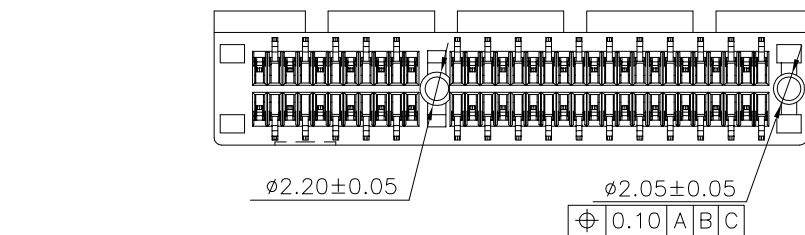
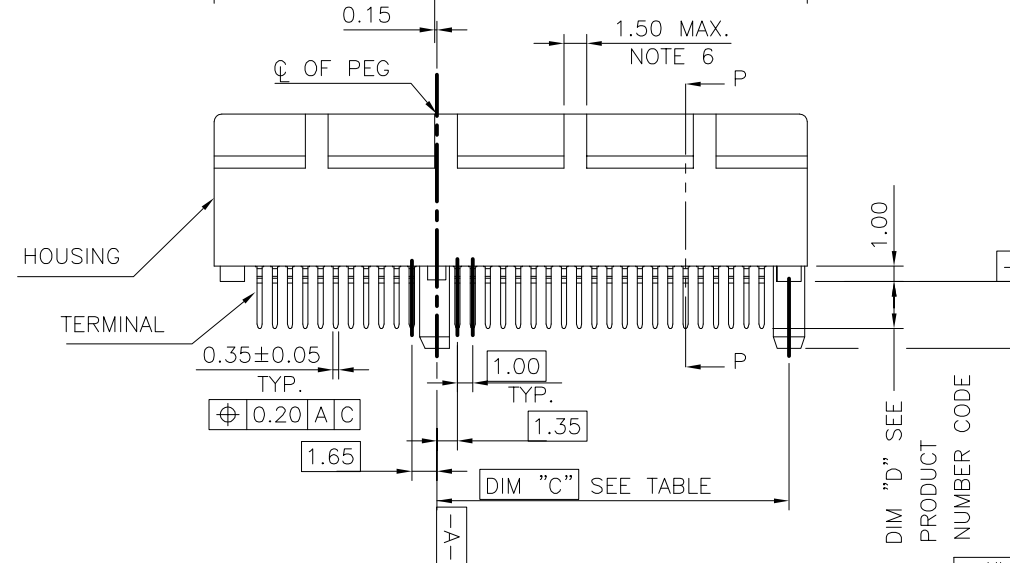
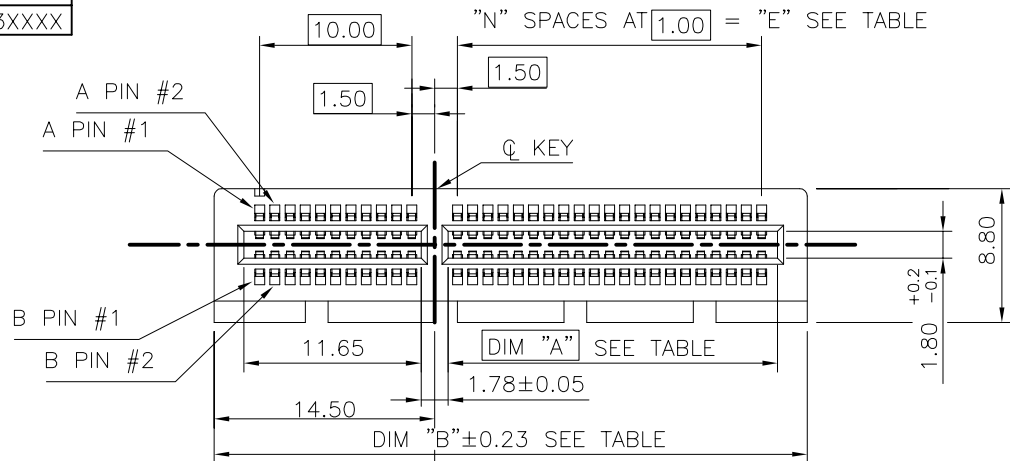
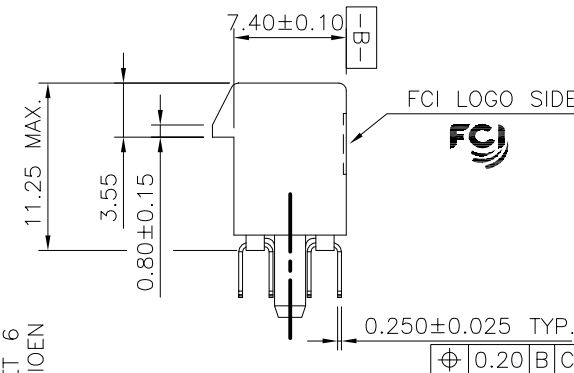


PRODUCT NO.
10018783-X0XXXX
10018783-X3XXXX



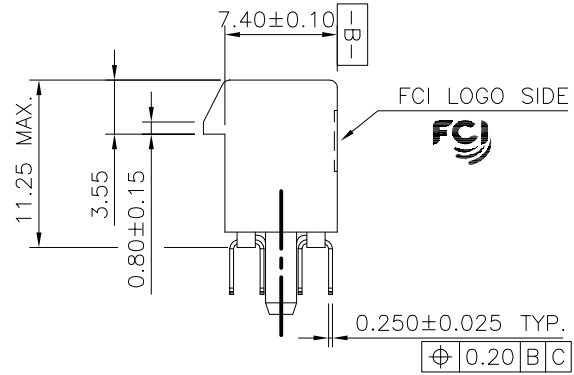
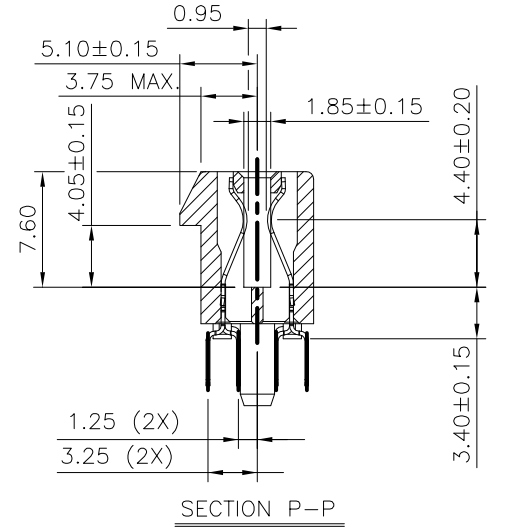
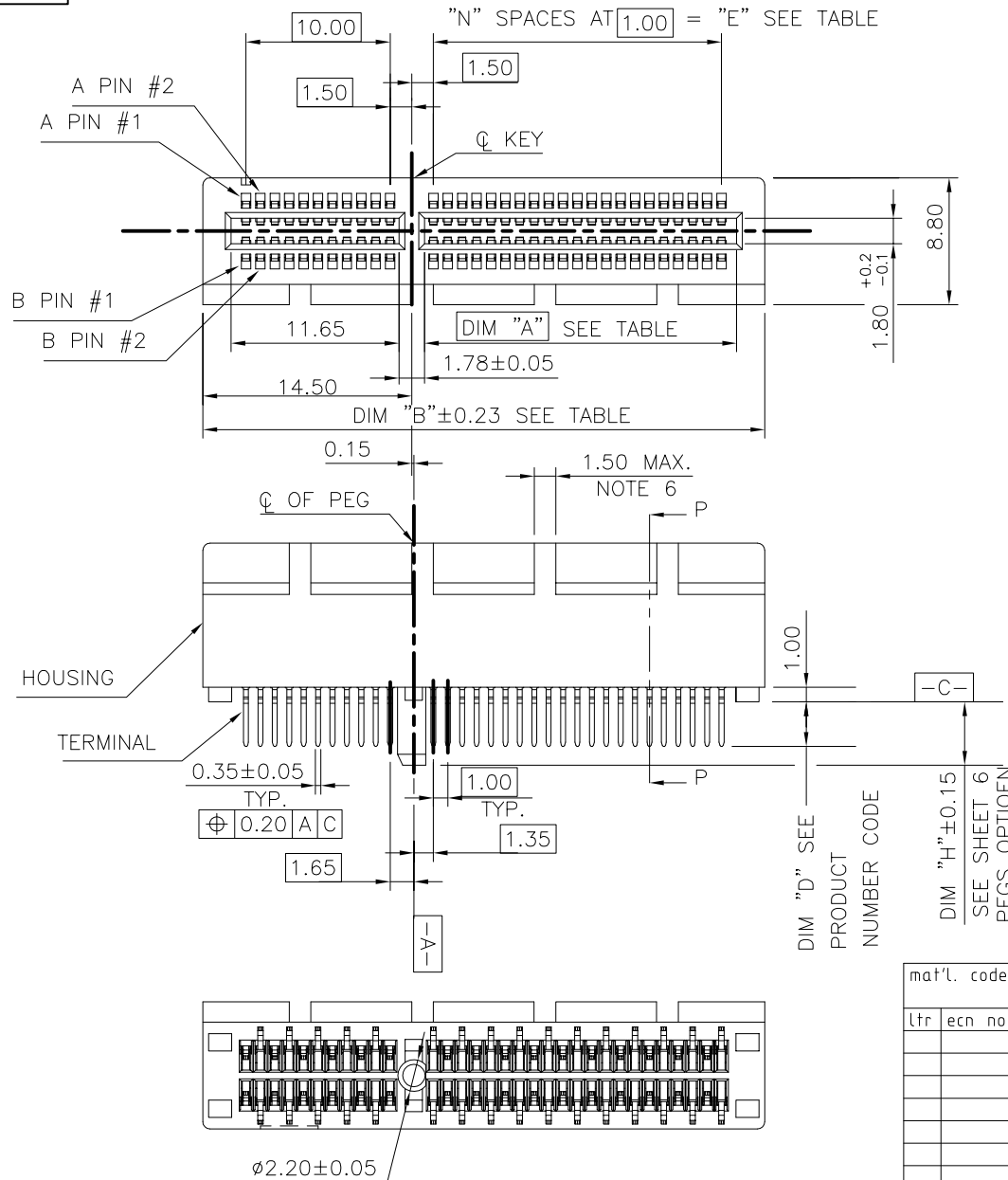
SECTION P-P



TWIN PLASTIC PEG TYPE

mat'l. code	-	surface	-	tolerance	ASME_Y14.5	projection	product family	PCI_EXPRESS
lfr	ecn no	dr	date	tolerances unless otherwise specified		MM	title	PCI_EXPRESS_GEN3 CARD_EDGE_ASSY
T	T05-0208	M-W	09/15/05	angles	LineGr		dwg no	sheet 1 of 7
U	T10-0007	J-H	1/20/10				10018783	size A4
V	ELX-DG-18311	S-T	07/16/14	±2'		scale N/A	type	CUSTOMER Drawing
W	ELX-DG-20070	S-T	01/23/15	dr	Stone Li	01/13/15		
X	ELX-DG-24598	LZH	07/28/16	engr	Stone Li	01/13/15		
Y	ELX-DG-26092	LZH	02/14/17	chr	/	/		
		appd	Collins Lu			01/13/15		
sheet index	revision	Y						
	sheet							

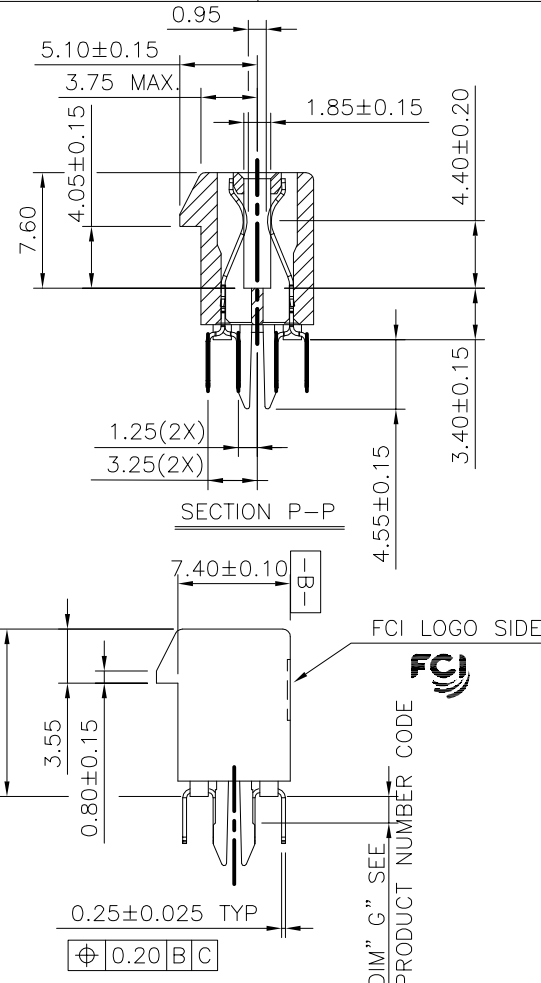
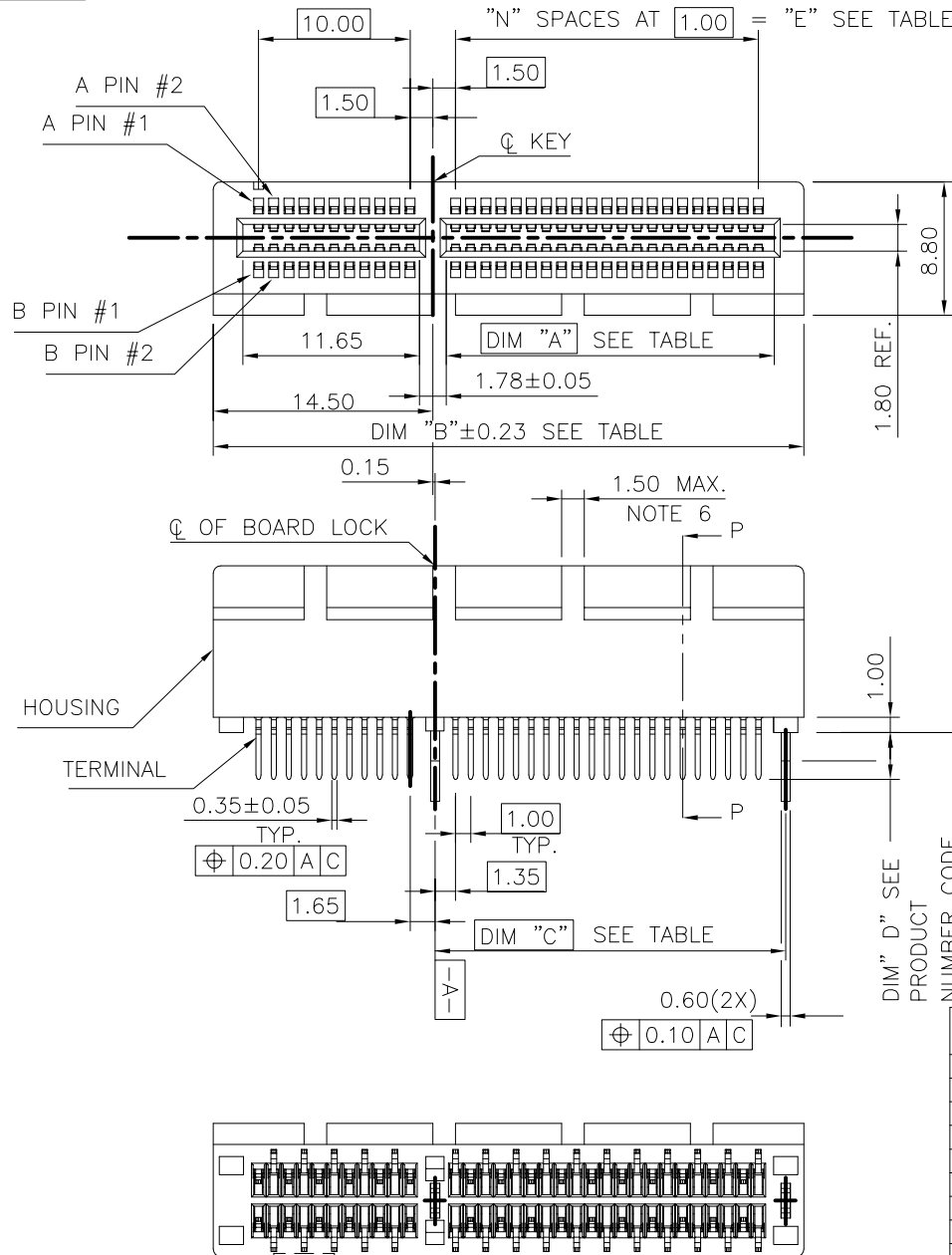
PRODUCT NO.
10018783-X2XXXX



SINGLE PLASTIC PEG TYPE

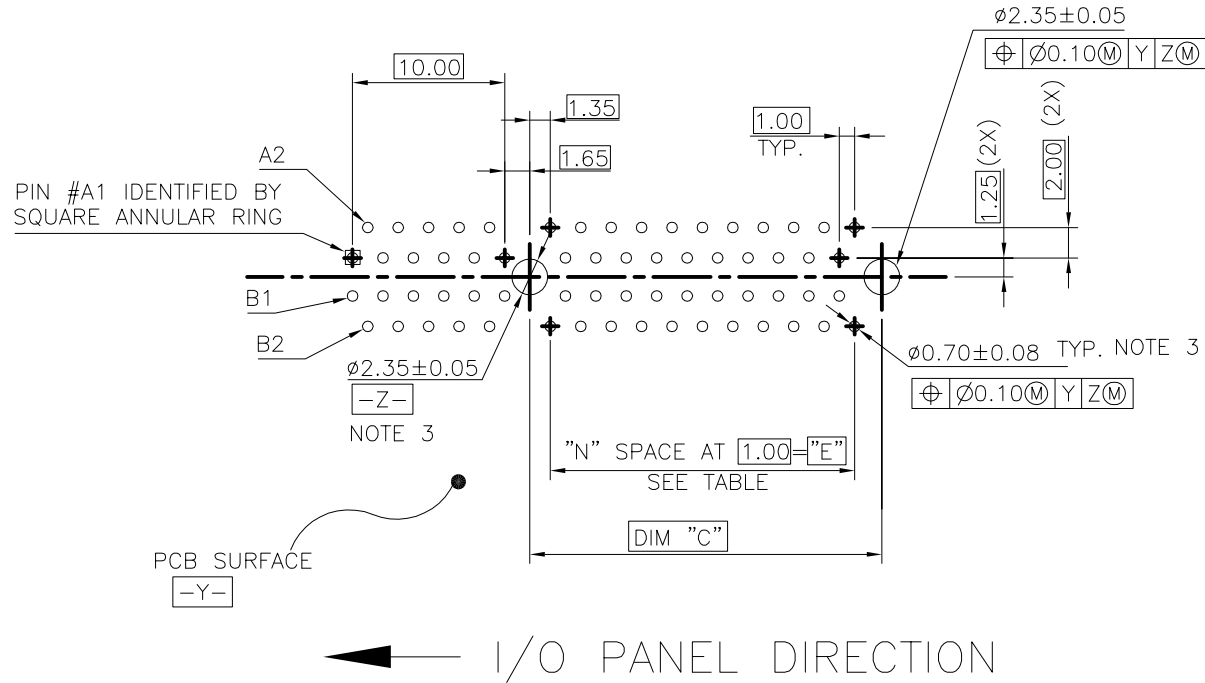
mat'l. code		-		surface		✓ tolerance ASME_Y14.5		projection		product family	
lfr		ecn no		dr		date		tolerances unless otherwise specified		PCI_EXPRESS	
								angles		title	
								Linear .02±0.30		PCI_EXPRESS_GEN3	
								±2' .00±0.20		CARD_EDGE_ASSY	
								.000±0.10		sheet 2 of 7	
								dr Stone Li 01/13/15		size	
								enr Stone Li 01/13/15		A4	
								chr / /		10018783	
								appd Collins Lu 01/13/15		CUSTOMER Drawing	
sheet index		revision sheet		Y							

PRODUCT NO.
10018783-X1XXXX



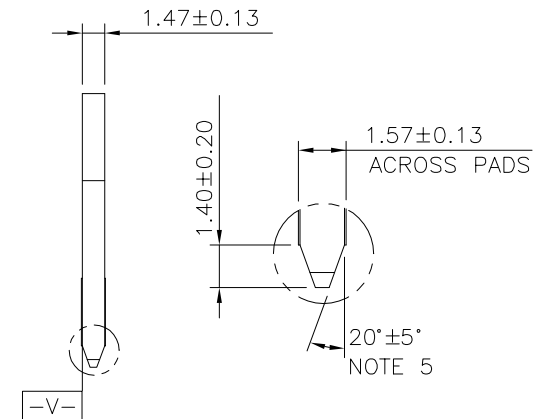
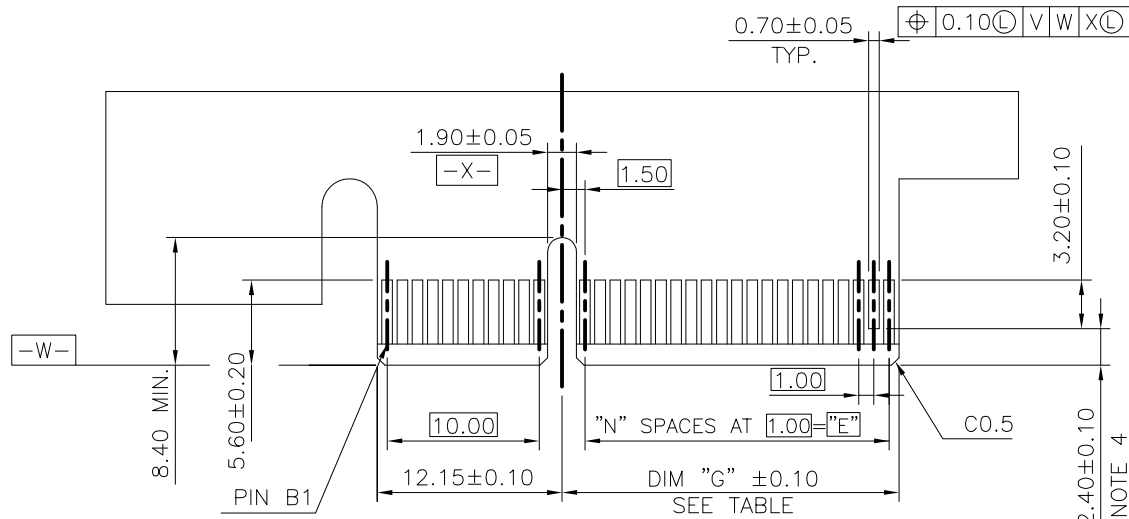
METAL BOARD LOCKS TYPE

mat'l. code		surface		tolerance	projection	product family	
-		-		ASME_Y14.5		PCI_EXPRESS	
lfr		ecn no	dr	date	tolerances unless otherwise specified		
					MM		
		angles		Linear	scale N/A		
				±2'			
		dr	Stone Li	01/13/15		dwg no	
		enfr	Stone Li	01/13/15		sheet 3 of 7	
		chr	/	/		size	
		appd	Collins Lu	01/13/15		A4	
sheet index		revision sheet	Y		type		
					CUSTOMER Drawing		



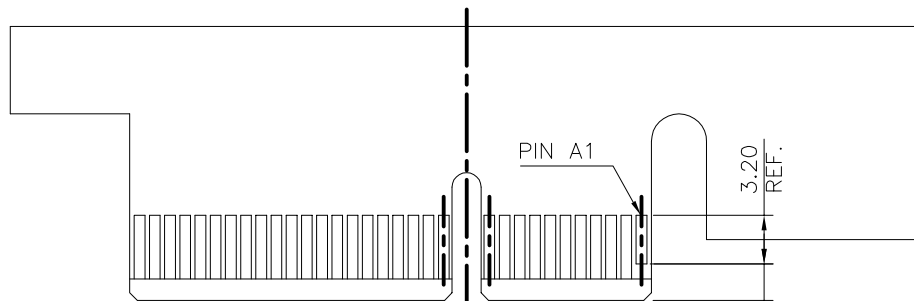
RECOMMENDED FOOTPRINT

mat'l. code		-		surface		- ✓		tolerance		ASME_Y14.5		projection		product family		PCI_EXPRESS	
lfr		ecn no		dr		date		tolerances unless otherwise specified		MM		title		PCI_EXPRESS_GEN3		CARD_EDGE_ASSY	
								angles		.0±0.30		scale N/A		dwg no		sheet 4 of 7 size	
								±2'		.00±0.20		Amphenol FCI		10018783		A4	
								dr		Stone Li							
								enrg		Stone Li							
								chr		/							
								appd		Collins Lu						CUSTOMER Drawing	
sheet index		revision sheet		Y													



SCALE 2:1

← I/O PANEL DIRECTION
PRIMARY (COMPONENT) SIDE



I/O PANEL DIRECTION →
SECONDARY (SOLDER) SIDE

#	POS	REF.	N	DIM "G"	"F"
36	6		8.15	B17	
64	20		22.15	B31	
98	37		39.15	B48	
164	70		72.15	B81	

NOTE 4
PIN "F" SEE TABLE 2.40±0.10

NOTE 4
PIN "F" SEE TABLE 2.40±0.10

ADD-IN CARD EDGE-FINGER DIMENSIONS

mat'l. code		surface		tolerance		projection		product family	
-		-		ASME_Y14.5		⊕		PCI_EXPRESS	
lfr		ecn no		dr		date		tolerances unless otherwise specified	
								MM	
				angles		Linear		scale N/A	
				±2'				Amphenol FCI	
		dr		Stone Li		01/13/15		dwg no	
		enfr		Stone Li		01/13/15		sheet 5 of 7	
		chr		/		/		size	
		appd		Collins Lu		01/13/15		10018783	
sheet index		revision		Y				type	
		sheet						CUSTOMER Drawing	

NOTES:

1.MATERIAL:

HOUSING: HIGH TEMPERATURE NYLON, GLASS FILLED UL94V-0 RATED.
 TERMINAL: COPPER ALLOY.
 PLATING: SEE PRODUCT NUMBER CODE
 METAL BOARD LOCKS: COPPER ALLOY.
 FINISH: 100u" TIN OVER 50u" NICKEL

2.PRODUCT SPECIFICATION: GS-12-233.

③THE HORIZONTAL AXIS FOR THE HOLE PATTERN IS ESTABLISHED BY

A LINE THROUGH THE CENTER OF THE TWO Ø2.35 HOLES.
 THE VERTICAL AXIS IS 90° TO THE HORIZONTAL AXIS, THROUGH THE CENTER OF DATUM Z.

④NO TIE BAR PERMITTED FROM CARD EDGE TO LEADING EDGE OF PAD FOR PINS A1 AND PIN NUMBERS "F".

⑤CHAMFER EDGES MUST BE FREE OF CUTTING BURRS.

⑥FREQUENCY & LOCATION AT SUPPLIER DISCRETION. RIDGE MAY BE CONTINUOUS WITH NO BREAKS.

7.RoHS COMPATIBLE PRODUCT SPECIFICATIONS:

- a - PLATING:
 - "LF" MEANS THE PRODUCT IS LEAD-FREE.



- b - MANUFACTURING PROCESS COMPATIBILITY:
 - THE HOUSING WILL WITHSTAND EXPOSURE TO 260°C PEAK TEMPERATURE FOR 10 SECONDS IN WAVE-SOLDERING APPLICATION, IF RE-FLOW/PIP SOLDERING APPLICATION WILL BE APPLIED, THE PRODUCT(PART BASE NUMBER 10108777) IS RECOMMENDED.

CONNECTOR	# POS	REF.	N	DIM "A"	DIM "B"	DIM "C"	"E"
1 PORT	36		6	7.65	25.00	9.15	6.00
4 PORT	64		20	21.65	39.00	23.15	20.00
8 PORT	98		37	38.65	56.00	40.15	37.00
16 PORT	164		70	71.65	89.00	73.15	70.00

PRODUCT NUMBER CODE

10018783 -x x x x x x □ □

LEAD FREE OPTION

"LF" FOR TERMINAL PLATING OPTION 0,1,2

PACKAGING OPTIONS

- T-SOFT TRAY PACKAGING
- M-SOFT TRAY PACKAGING & MYLAR TAPE. SEE FIGULE 1
- Y-HARD TRAY PACKAGING (FOR 36P 98P AND 164P ONLY)
- Z-HARD TRAY PACKAGING WITH MYLAR (FOR 36P 98P AND 164P ONLY)
- E-HARD TRAY PACKAGING WITH ANTI-STATIC SHIELDING BAG (FOR 164P ONLY)
- R-TAPE & REEL PACKAGING (FOR 36, 64, 98P)
- A-TAPE & REEL PACKAGING WITH MYLAR (FOR 36, 64, 98P)

POS OPTIONS

- 0-36
- 1-64
- 2-98
- 3-164

TAIL LENGTH OPTIONS

	DIM "D"	PCB THICKNESS	BOARD LOCKS DIM "G"
0	2.30 ±0.25	1.56±0.10	1.70±0.15
1	3.10 ±0.25	2.36±0.10	2.50±0.15
2	2.54±0.25	1.56±0.10	1.70±0.15
3	1.90±0.25	1.56±0.10	1.70±0.15

HOUSING COLOR OPTIONS

- 0-NATURAL
- 1-BLACK

PEGS OPTIONS

- 0-PLASTIC PEGS, DIM "H"=4.4
- 1-METAL BOARD LOCKS
- 2-SINGLE PLASTIC PEGS, DIM "H"=4.4
- 3-PLASTIC PEGS, DIM "H"=2.8

TERMINAL PLATING OPTIONS

- 0-50u" Ni UNDERPLATE
- 30u" Au CONTACT AREA
- 100u" TIN TAIL AREA ----- COMPATIBLE RoHS
- 1-50u" Ni UNDERPLATE
- 15u" Au CONTACT AREA
- 100u" TIN TAIL AREA ----- COMPATIBLE RoHS
- 2-50u" Ni UNDERPLATE
- GOLD FLASH CONTACT AREA
- 100u" TIN TAIL AREA ----- COMPATIBLE RoHS

mat'l. code		surface		tolerance		projection		product family	
-		-		ASME_Y14.5				PCI_EXPRESS	
lfr		ecn no		dr		date		title	
								PCI_EXPRESS_GEN3	
								CARD_EDGE_ASSY	
								dwg no	
								sheet 6 of 7	
								size	
								A4	
								type	
								CUSTOMER Drawing	
sheet index		revision sheet		Y					

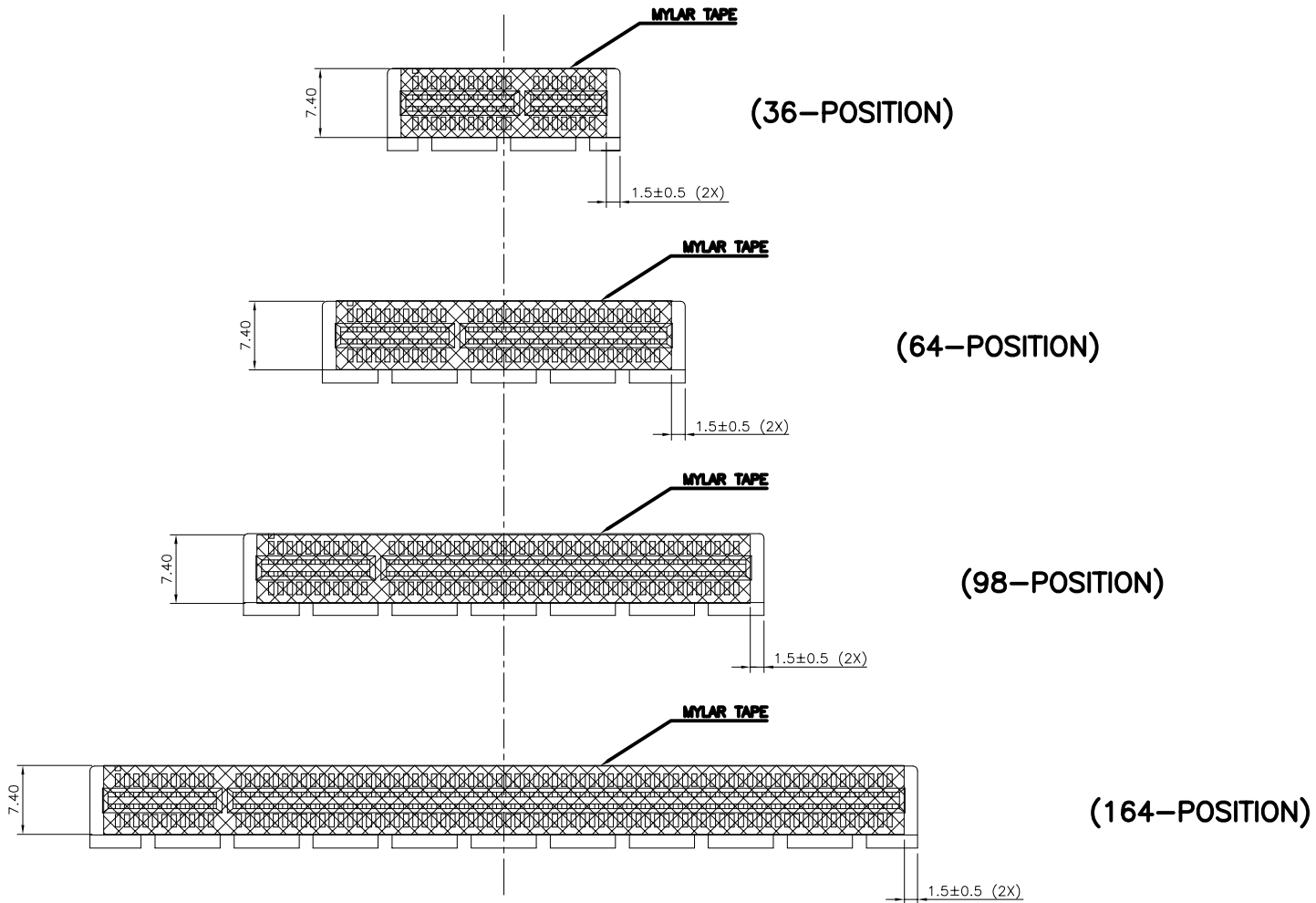


FIGURE 1

mat'l. code		-		surface	-	tolerance	ASME_Y14.5	projection	product family	PCI_EXPRESS
lfr		ecn no	dr	date	tolerances unless otherwise specified			 MM	title	
					angles	linear	.02±0.30		PCI_EXPRESS_GEN3	
					±2'		.00±0.20	scale N/A	CARD_EDGE_ASSY	
					dr	Stone Li	01/13/15		dwg no	
					enfr	Stone Li	01/13/15		sheet 7 of 7	
					chr	/	/		size	
					appd	Collins Lu	01/13/15		A4	
sheet index		revision sheet	Y						type	
									CUSTOMER Drawing	