

Model: SCT-013

Rated input current: 5A/100A

Characteristics: Opening size: 13mm*13mm,
 Non-linearity±3% (10%—120% of rated input current)
 1m leading wire, standard Φ3.5 three core plug output.
 Current output type and voltage output type (voltage output type built-in sampling resistor)

Purpose: Used for current measurement, monitor and protection for AC motor, lighting equipment, air compressor etc

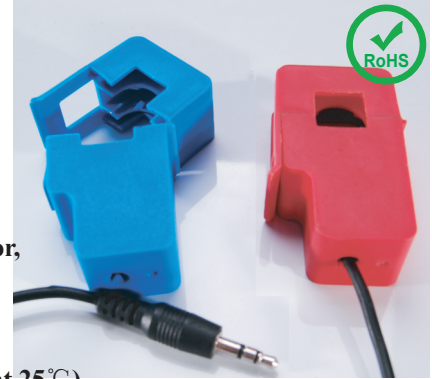
Core material: ferrite

Mechanical strength: the number of switching is not less than 1000 times(test at 25°C)

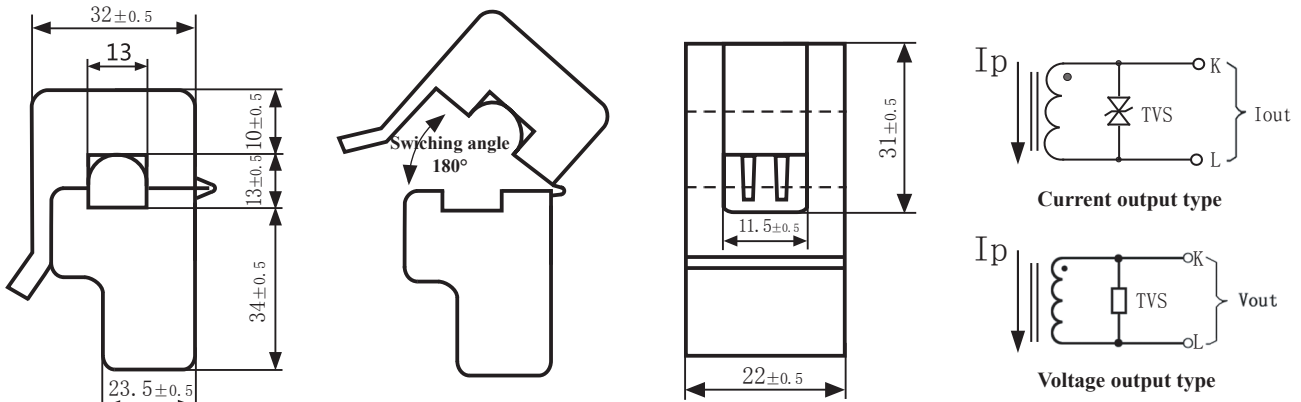
Safety index: Dielectric strength(between shell and output)1000V AC/1min

Fire resistance property: In accordance with UL94-Vo

Work temperature: -25°C ~ +70°C



Outline size diagram: (in mm)



Front View

Side View

Schematic diagram

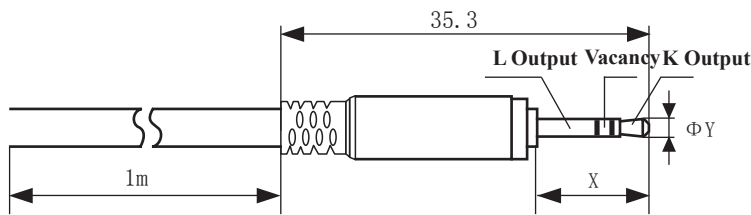


Diagram for standard three-core plug

Three-core plug size

	X	Y	select
2.5mm Audio Plug	11.9	2.5	and use
3.5mm Audio Plug	15.0	3.5	standard

Table of technical parameter:

Model	SCT-013-000	SCT-013-005	SCT-013-010	SCT-013-015	SCT-013-020
Input current	0-100A	0-5A	0-10A	0-15A	0-20A
Output type	0-50mA	0-1V	0-1V	0-1V	0-1V
Model	SCT-013-025	SCT-013-030	SCT-013-050	SCT-013-060	SCT-013-000V
Input current	0-25A	0-30A	0-50A	0-60A	0-100A
Output type	0-1V	0-1V	0-1V	0-1V	0-1V

※ Output type: voltage output type built-in sampling resistor, current output type built-in protective diode.