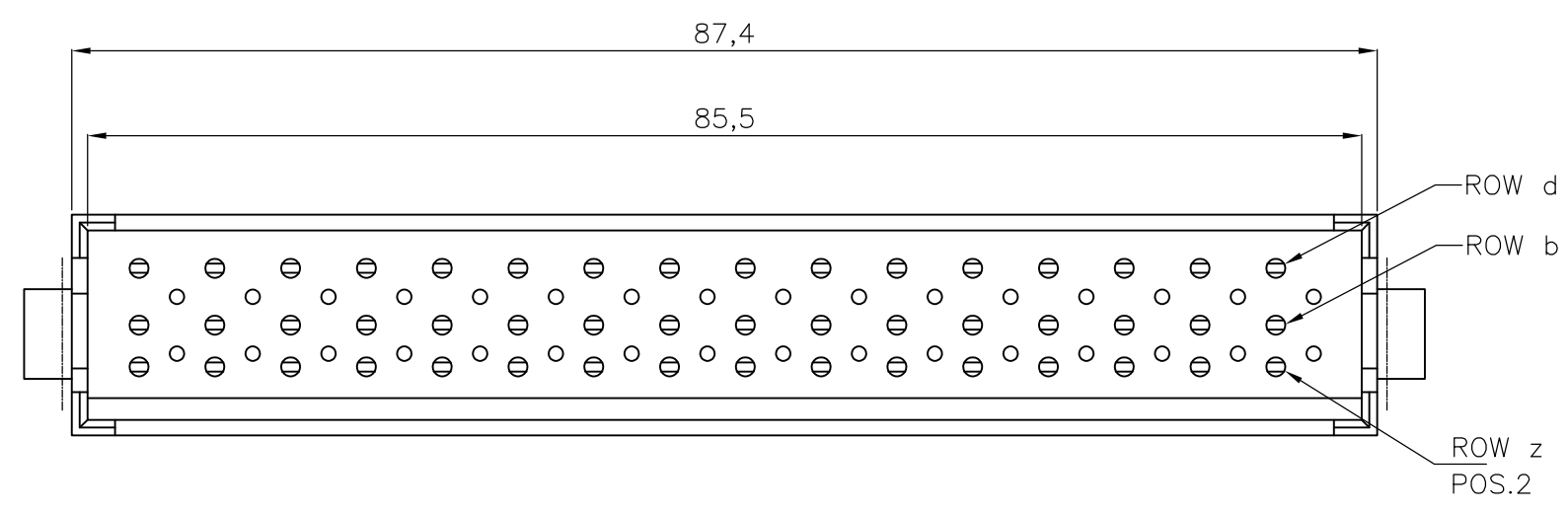
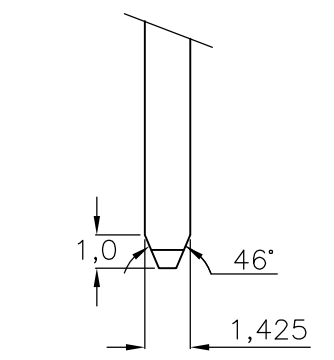
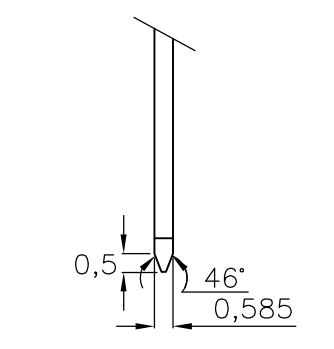
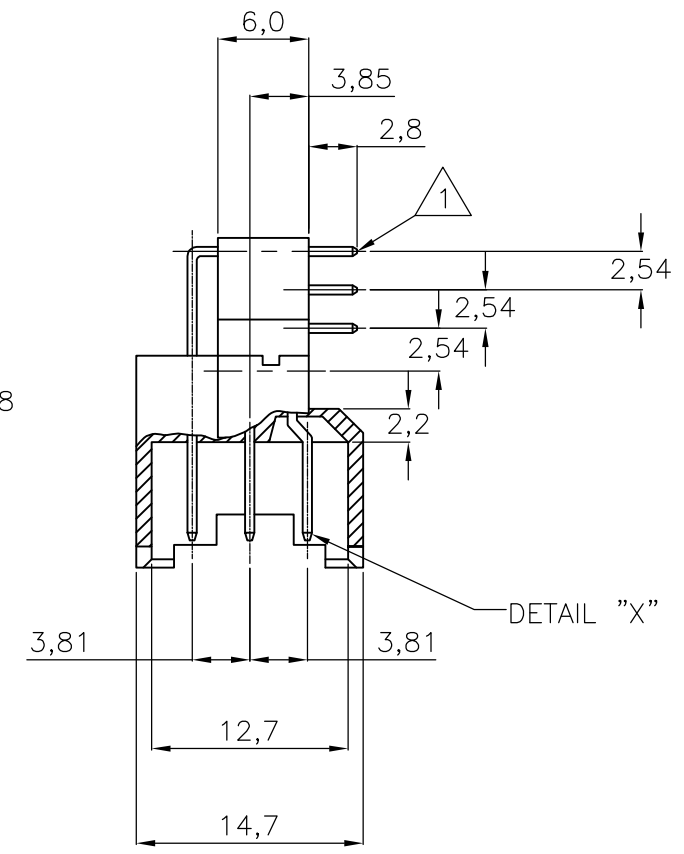
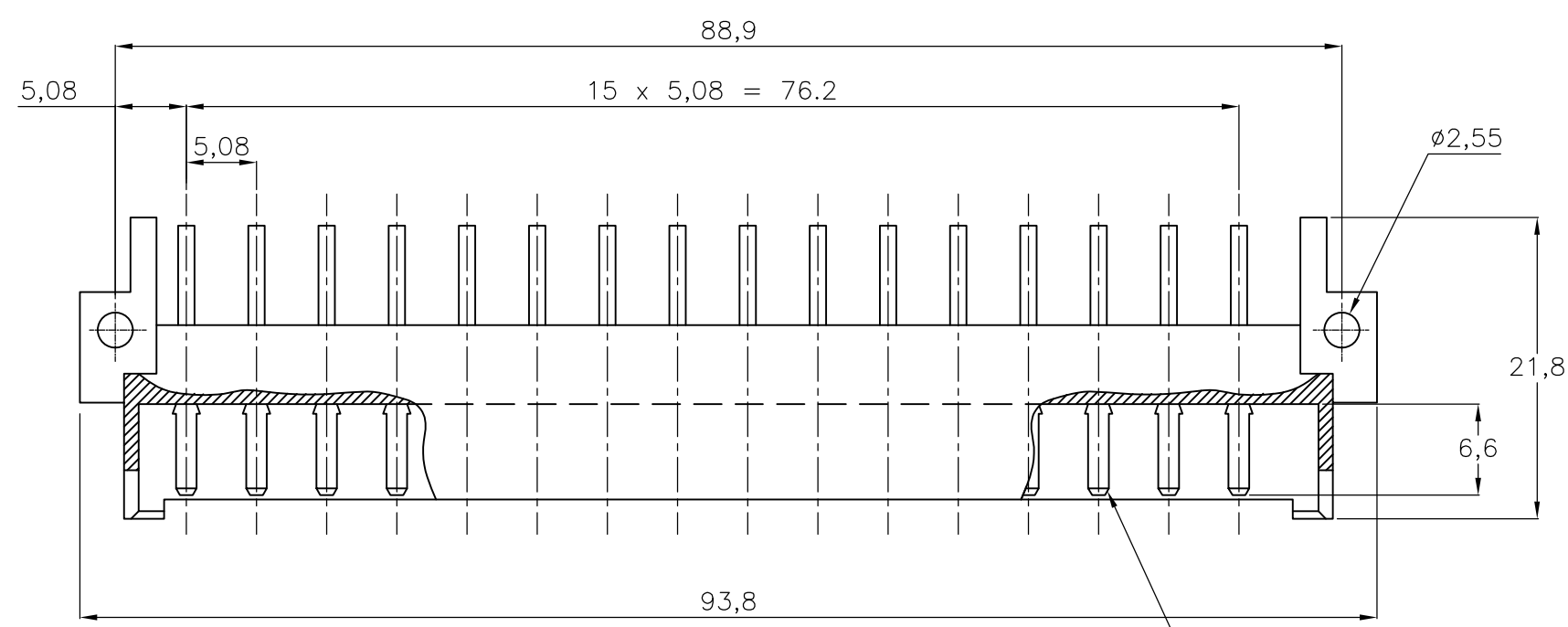


THIS DRAWING IS UNPUBLISHED. RELEASED FOR PUBLICATION
 © COPYRIGHT - By - ALL RIGHTS RESERVED.

LOC	DIST	REVISIONS					
H	-	P	LTR	DESCRIPTION	DATE	DWN	APVD
		-		SEE SHEET 1	-	-	-



- 9 PLATING CONTACT: 1,25 µm Au OVER 1,25 µm Ni IN CONTACT AREA. Sn over 1,25 µm Ni ON SOLDER POST.
- 10 PLATING CONTACT: 0,8 µm Au OVER 1,25 µm Ni IN CONTACT AREA. Sn over 1,25 µm Ni ON SOLDER POST.

SUPERSEDED BY 2-164045-4	SEE NOTE	10	SEE NOTE	1	9-164045-4
SUPERSEDED BY 2-164045-1	SEE NOTE	9	SEE NOTE	1	9-164045-1
	FINISH		MATERIAL		PART NUMBER

POS. NO	2	4	6	8	10	12	14	16	18	20	22	24	26	28	30	32
F 48 ROW	x	x	x	x	x	x	x	x	x	x	x	x	x	x	x	x
	x	x	x	x	x	x	x	x	x	x	x	x	x	x	x	x
	x	x	x	x	x	x	x	x	x	x	x	x	x	x	x	x

AN ASTERISK „X” DENOTES A STANDARD CONTACT.

THIS DRAWING IS A CONTROLLED DOCUMENT.

DWN J.GIBBELS	04AUG97	STE TE Connectivity				
CHK J.GIBBELS	-					
APVD -	-	NAME				
PRODUCT SPEC -	-	48 POS. DIN 41612 F MALE 90 DEG. SOLDER CONNECTOR				
APPLICATION SPEC -	-	SIZE	CAGE CODE	DRAWING NO	RESTRICTED TO	
WEIGHT -	-	A3	00779	C-164045	-	
MATERIAL -	-	CUSTOMER DRAWING		SCALE	SHEET	REV
				NTS	2 OF 2	Y

Mouser Electronics

Authorized Distributor

Click to View Pricing, Inventory, Delivery & Lifecycle Information:

[TE Connectivity:](#)

[2-164045-4](#)