

Specifications:

Current rating:1.0A AC/DC
 Voltage rating:250V AC/DC Δ
 Contact resistance:20m ohm max.
 Withstanding Voltage:500V AC/minute
 Insulation resistance:1000M ohm min.
 Temperature Rating:-40°C ~ +105°C

Materials:
 Insulator:PBT (UL94V-0)
 Contact:Copper Alloy
 Finish:Selective Gold Plated


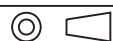
How To Order
 4401-XXSR-XX-01

01:Without Key
 Blank:Black(Standard Color)
 GR;Gray;BU:Blue
 SR:With Strain Relief
 No. of Contacts

Dimension Information:

Circuits	Dim.A	Dim.B	Circuits	Dim.A	Dim.B
6	12.30	5.08	30	42.78	35.56
8	14.84	7.62	34	47.86	40.64
10	17.38	10.16	36	50.40	43.18
12	19.92	12.70	40	55.48	48.26
14	22.46	15.24	44	60.56	53.34
16	25.00	17.78	50	68.18	60.96
18	27.54	20.32	56	75.80	68.58
20	30.08	22.86	60	80.88	73.66
24	35.16	27.94	64	85.96	78.74
26	37.70	30.48			

RoHS Compliant

				DRAWN: Leo	GENERAL TOLERANCE: .X=±0.2 .XX=±0.15	 繼德工業股份有限公司 Neltron Industrial Co., Ltd.	
				CHECKED: Jeremy Liu	UNIT: mm		DESCRIPTION: 2.54MM Flat Cable IDC Socket With Strain Relief
C					SCALE: 1:1	PART NO: 4401-XXSR-XX-01	A4
B	30-Oct-2013	ECN-CN1310004	Andrew	APPROVAL: Richie	SHEET: 1 / 1		
A	24-Feb-2011	(PC0001)	Richie	MIKE WU	PROJECTION: 		
REV	DATE	FILE	BY				