



Model Number: **CXY-5MM-RRL**

Type: LED

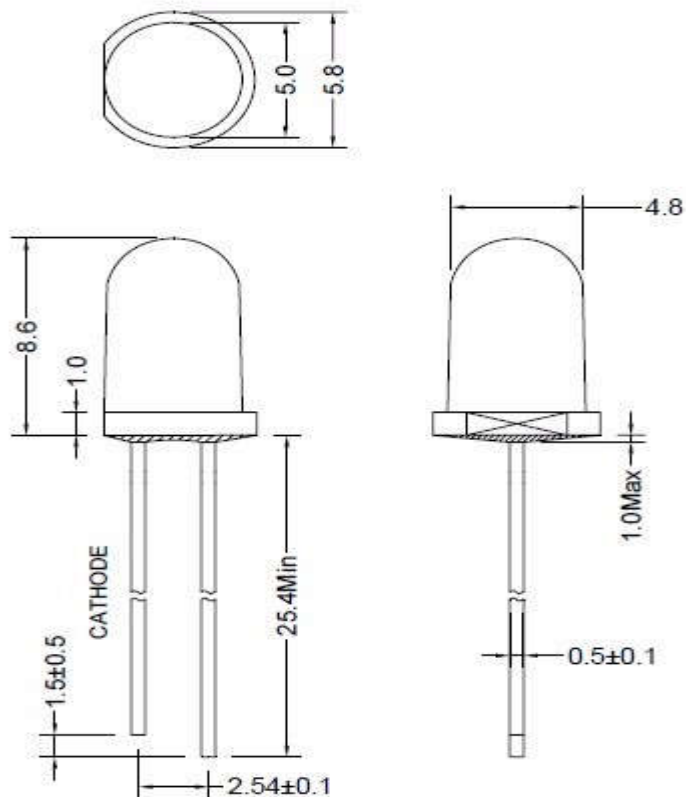
Wavelength:620-625nm Voltage:1.9-2.1V Brightness:200-400mcd

Product Details

LED 5Mm Red Diffused Red LED Round Top LED Diode Light Emitting Diodes

Dimension:

Package Dimensions



1. All dimensions are millimeters: mm
2. Tolerance is +/-0.20mm unless otherwise noted.

Features:

Low power consumption

Versatile mounting on P.C. board or panel

Reliable and rugged

High reliability and long life

Our Service

1. Your inquiry related to our products or prices will be replied in 24 hours.
2. Experienced sales and engineers will answer all your enquirements in fluent English.
3. Advanced equipments and good materials: ASM machine, good chips, PCB boards and epoxy resin.
4. No matter big order or small order, we will provide our products with top quality & good service.