

HD14566B

Industrial Time Base Generator

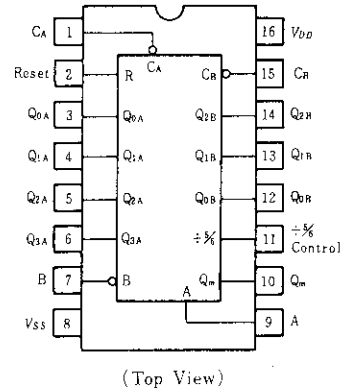
The HD14566B industrial time base generator consists of a divide-by-10 ripple counter and a divide-by-5 or divide-by-6 ripple counter to permit stable time generation from a 50 or 60Hz line. By cascading this device as divide-by-60 counter to permit stable time generation from a 50 or 60Hz line. By cascading this device as divide-by-60 counters, seconds and minutes can be counted and are available in BCD format at the circuit outputs

An internal monostable multivibrator is included whose output can be used as a reset or clock pulse providing additional frequency flexibility. Also a pin has been included to allow divide-by-5 counting for generating 1.0Hz from European 50Hz line.

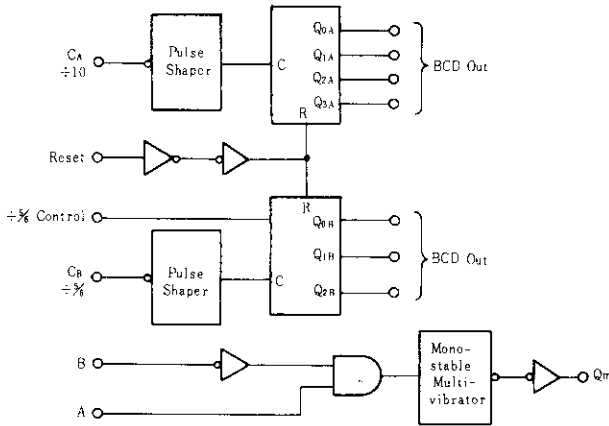
FEATURES

- Negative Edge Triggered Counters for Ease of Cascading
- Pulse Shapers on Counter Inputs Accept Slow Input Rise Times
- Monostable Multivibrator Positive or Negative Edge Triggered
- Noise Immunity = 45% of V_{DD} typ.
- Quiescent Current = 5nA/pkg typ. @5V
- Supply Voltage Range = 3 to 18V
- Capable of Driving One Low-power Schottky TTL Load Over the Rated Temperature Range

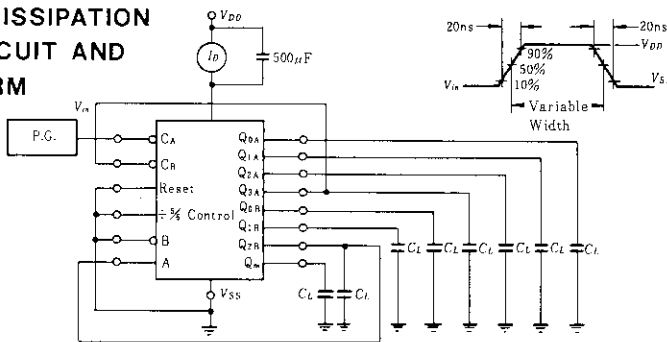
PIN ARRANGEMENT



BLOCK DIAGRAM



POWER DISSIPATION TEST CIRCUIT AND WAVEFORM

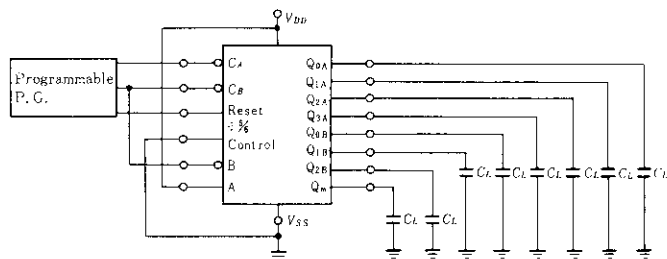


ELECTRICAL CHARACTERISTICS

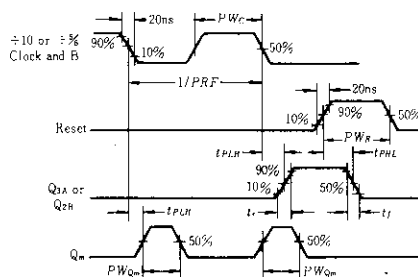
Characteristic	Symbol	Test Conditions	-40°C		25°C			85°C		Unit
			min	max	min	typ	max	min	max	
Output Voltage	V _{OL}	5.0	—	0.05	—	0	0.05	—	0.05	V
		10	—	0.05	—	0	0.05	—	0.05	
		15	—	0.05	—	0	0.05	—	0.05	
	V _{OH}	5.0	4.95	—	4.95	5.0	—	4.95	—	V
		10	9.95	—	9.95	10	—	9.95	—	
		15	14.95	—	14.95	15	—	14.95	—	
Input Voltage	V _{IL}	5.0	—	1.5	—	2.25	1.5	—	1.5	V
		10	—	3.0	—	4.50	3.0	—	3.0	
		15	—	4.0	—	6.75	4.0	—	4.0	
	V _{IH}	5.0	3.5	—	3.5	2.75	—	3.5	—	V
		10	7.0	—	7.0	5.50	—	7.0	—	
		15	11.0	—	11.0	8.25	—	11.0	—	
Output Drive Current	I _{OH}	5.0	-1.0	—	0.8	-1.7	—	-0.6	—	mA
		5.0	-0.2	—	-0.16	-0.36	—	-0.12	—	
		10	-0.5	—	-0.4	-0.9	—	-0.3	—	
	I _{OL}	5.0	0.52	—	0.44	0.88	—	0.36	—	mA
		10	1.3	—	1.1	2.25	—	0.9	—	
		15	3.6	—	3.0	8.8	—	2.4	—	
Input Current	I _{in}	15	—	±0.3	—	±0.0001	±0.3	—	±1.0	μA
Input Capacitance	C _{in}		—	—	—	5.0	7.5	—	—	pF
Quiescent Current	I _{DD}	5.0	—	20	—	0.005	20	—	150	μA
		10	—	40	—	0.010	40	—	300	
		15	—	80	—	0.015	80	—	600	
Total Supply Current*	I _T	5.0	—	—	—	1.0	—	—	—	μA
		10	—	—	—	2.0	—	—	—	
		15	—	—	—	3.0	—	—	—	

* To calculate total supply current at frequency other than 1kHz.
 @V_{DD} = 5.0V I_T = (1.0 μA/kHz)f + I_{DD}. @V_{DD} = 10V I_T = (2.0 μA/kHz)f + I_{DD}. @V_{DD} = 15V I_T = (3.0 μA/kHz)f + I_{DD}

SWITCHING TIME TEST CIRCUIT



Note: Assume ÷10 Counter at "6" and ÷5/6 Counter at "2" at beginning of sequence.

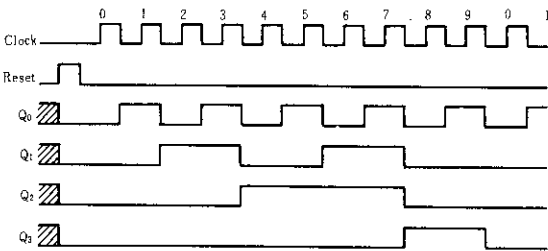


■ SWITCHING CHARACTERISTICS ($C_L=50\text{pF}$, $T_a=25^\circ\text{C}$)

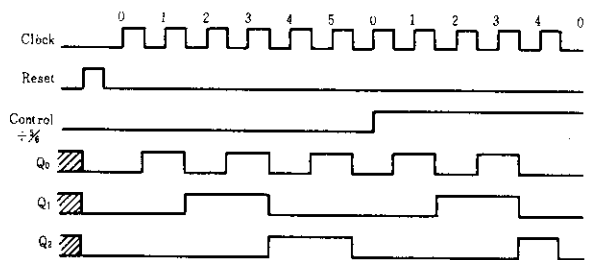
Characteristic		Symbol	$V_{DD}(\text{V})$	min	typ	max	Unit
Output Rise Time		t_r	5.0	—	180	400	ns
			10	—	90	200	
			15	—	65	160	
Output Fall Time		t_f	5.0	—	120	250	ns
			10	—	60	125	
			15	—	40	100	
Propagation Delay Time	Clock to Q_{3A}	t_{PLH} t_{PHL}	5.0	—	1450	4500	ns
			10	—	530	1500	
			15	—	320	1000	
	Reset to Q_{3A}	t_{PHL}	5.0	—	930	3000	ns
			10	—	315	1000	
			15	—	210	750	
Clock Pulse Width		PW_C	5.0	1200	400	—	ns
			10	400	125	—	
			15	270	90	—	
Reset Pulse Width		PW_R	5.0	1200	400	—	ns
			10	400	125	—	
			15	270	90	—	
Clock Frequency		PRF	5.0	—	1.0	0.3	MHz
			10	—	2.5	1.0	
			15	—	4.2	1.5	
Clock Pulse Rise and Fall Time		t_r, t_f	5.0	No Limit			
			10				
			15				
Monostable Multivibrator Pulse Width		PW_{Q_0}	5.0	1200	2800	—	ns
			10	400	900	—	
			15	300	600	—	

■ TIMING DIAGRAM

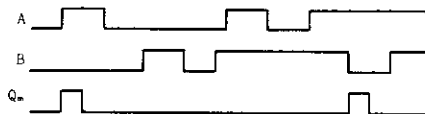
● Divide-by-10 Counter



● Divide-by-5/6 Counter



● Monostable Multivibrator



▨ = Don't Care



Hitachi Code	DP-16
JEDEC	Conforms
EIAJ	Conforms
Weight (reference value)	1.07 g

Cautions

1. Hitachi neither warrants nor grants licenses of any rights of Hitachi's or any third party's patent, copyright, trademark, or other intellectual property rights for information contained in this document. Hitachi bears no responsibility for problems that may arise with third party's rights, including intellectual property rights, in connection with use of the information contained in this document.
2. Products and product specifications may be subject to change without notice. Confirm that you have received the latest product standards or specifications before final design, purchase or use.
3. Hitachi makes every attempt to ensure that its products are of high quality and reliability. However, contact Hitachi's sales office before using the product in an application that demands especially high quality and reliability or where its failure or malfunction may directly threaten human life or cause risk of bodily injury, such as aerospace, aeronautics, nuclear power, combustion control, transportation, traffic, safety equipment or medical equipment for life support.
4. Design your application so that the product is used within the ranges guaranteed by Hitachi particularly for maximum rating, operating supply voltage range, heat radiation characteristics, installation conditions and other characteristics. Hitachi bears no responsibility for failure or damage when used beyond the guaranteed ranges. Even within the guaranteed ranges, consider normally foreseeable failure rates or failure modes in semiconductor devices and employ systemic measures such as fail-safes, so that the equipment incorporating Hitachi product does not cause bodily injury, fire or other consequential damage due to operation of the Hitachi product.
5. This product is not designed to be radiation resistant.
6. No one is permitted to reproduce or duplicate, in any form, the whole or part of this document without written approval from Hitachi.
7. Contact Hitachi's sales office for any questions regarding this document or Hitachi semiconductor products.

HITACHI

Hitachi, Ltd.

Semiconductor & Integrated Circuits.
Nippon Bldg., 2-6-2, Ohte-machi, Chiyoda-ku, Tokyo 100-0004, Japan
Tel: Tokyo (03) 3270-2111 Fax: (03) 3270-5109

URL North America : <http://semiconductor.hitachi.com/>
 Europe : <http://www.hitachi-eu.com/hel/ecg>
 Asia (Singapore) : <http://www.has.hitachi.com.sg/grp3/sicd/index.htm>
 Asia (Taiwan) : http://www.hitachi.com.tw/E/Product/SICD_Frame.htm
 Asia (HongKong) : <http://www.hitachi.com.hk/eng/bo/grp3/index.htm>
 Japan : <http://www.hitachi.co.jp/Sicd/indx.htm>

For further information write to:

Hitachi Semiconductor
(America) Inc.
179 East Tasman Drive,
San Jose, CA 95134
Tel: <1> (408) 433-1990
Fax: <1>(408) 433-0223

Hitachi Europe GmbH
Electronic components Group
Dornacher Straße 3
D-85622 Feldkirchen, Munich
Germany
Tel: <49> (89) 9 9180-0
Fax: <49> (89) 9 29 30 00

Hitachi Europe Ltd.
Electronic Components Group.
Whitebrook Park
Lower Cookham Road
Maidenhead
Berkshire SL6 8YA, United Kingdom
Tel: <44> (1628) 585000
Fax: <44> (1628) 778322

Hitachi Asia Pte. Ltd.
16 Collyer Quay #20-00
Hitachi Tower
Singapore 049318
Tel: 535-2100
Fax: 535-1533

Hitachi Asia Ltd.
Taipei Branch Office
3F, Hung Kuo Building, No.167,
Tun-Hwa North Road, Taipei (105)
Tel: <886> (2) 2718-3666
Fax: <886> (2) 2718-8180

Hitachi Asia (Hong Kong) Ltd.
Group III (Electronic Components)
7/F., North Tower, World Finance Centre,
Harbour City, Canton Road, Tsim Sha Tsui,
Kowloon, Hong Kong
Tel: <852> (2) 735 9218
Fax: <852> (2) 730 0281
Telex: 40815 HITEC HX

Copyright ' Hitachi, Ltd., 1999. All rights reserved. Printed in Japan.

HITACHI