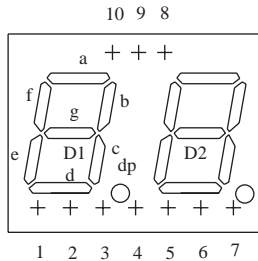


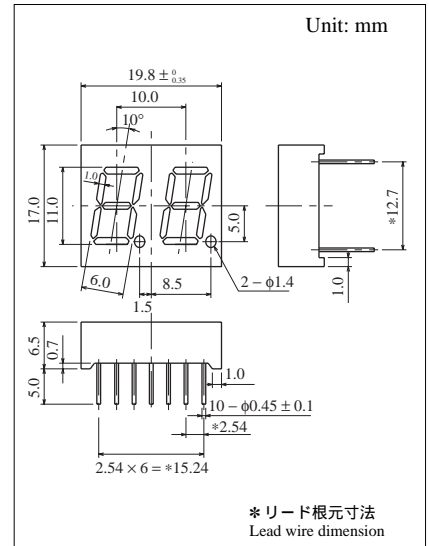
## 2 Digit 11.0mm (.4") Series

Conventional Part No.      Global Part No.      Lighting Color  
 LN524RAS ..... LNM224AS01D ..... Red  
 LN524RKS ..... LNM224KS01D ..... Red  
 LN524GAS ..... LNM324AS01D ..... Green  
 LN524GKS ..... LNM324KS01D ..... Green

### 端子接続 Terminal Connection



Pin No.	Assignment	Assignment
1	Cathode c1	Anode c1
2	Cathode e1	Anode e1
3	Cathode d1	Anode d1
4	Common Anode D1	Common Cathode D1
5	Common Anode D2	Common Cathode D2
6	Cathode d2	Anode d2
7	Cathode e2	Anode e2
8	Cathode c2	Anode c2
9	Cathode g2	Anode g2
10	Cathode a2	Anode a2
11	Cathode f2	Anode f2
12	Cathode b2	Anode b2
13	Cathode b1	Anode b1
14	Cathode f1	Anode f1
14	Cathode a1	Anode a1
14	Cathode g1	Anode g1



### ■絶対最大定格 Absolute Maximum Ratings ( $T_a = 25^\circ\text{C}$ )

Lighting Color	$P_D$ (mW)	$I_F$ (mA)	$I_{FP}$ (mA)*	$V_R$ (V)	$T_{opr}$ ( $^\circ\text{C}$ )	$T_{stg}$ ( $^\circ\text{C}$ )
Red	60	20	100	5	-25 ~ +80	-30 ~ +85
Green	60	20	100	5	-25 ~ +80	-30 ~ +85

$I_{FP}$ の条件は  $duty$  10% ,Pulse width 1 msec. The condition of  $I_{FP}$  is duty 10%, Pulse width 1 msec

### ■電氣的光学的特性 Electro-Optical Characteristics ( $T_a = 25^\circ\text{C}$ )

Conventional Part No.	Lighting Color	Common	$I_O$		$I_O/d.p$	$I_F$	$V_F$		$\lambda_P$	$\Delta\lambda$	$I_F$	$I_R$	
			Typ	Min			Typ	Typ				Max	Max
LN524RAS	Red	Anode	450	150	—	5	2.2	2.8	700	100	20	10	5
LN524RKS	Red	Cathode	450	150	—	5	2.2	2.8	700	100	20	10	5
LN524GAS	Green	Anode	1500	500	—	10	2.2	2.8	565	30	20	10	5
LN524GKS	Green	Cathode	1500	500	—	10	2.2	2.8	565	30	20	10	5
Unit	—	—	$\mu\text{cd}$	$\mu\text{cd}$	$\mu\text{cd}$	mA	V	V	nm	nm	mA	$\mu\text{A}$	V

