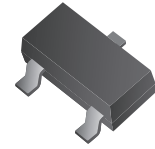


CPDT-12V

RoHS Device

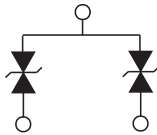
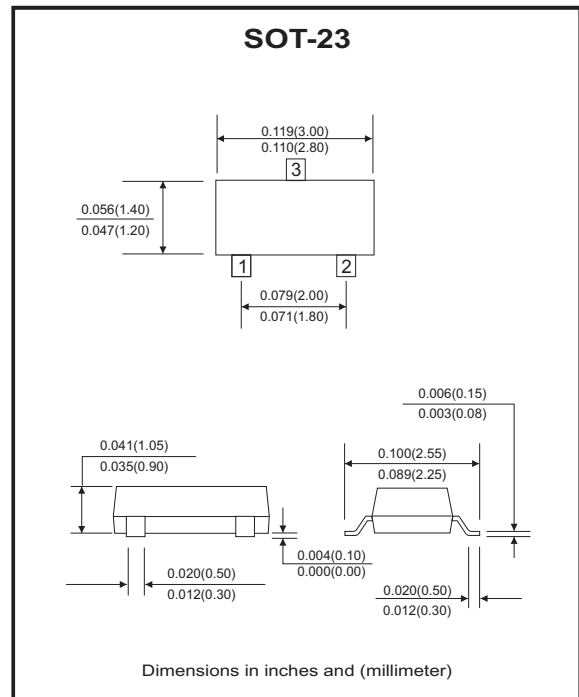


Features

- Common anode ESD protection.
- IEC61000-4-2 Level 4 ESD protection.
- Surface mount package.
- High component density.

Mechanical data

- Case: SOT-23 Standard package, molded plastic.
- Terminals: Tin plated, solderable per MIL-STD-750, method 2026.
- Marking code:E12
- Mounting position: Any.
- Weight: 0.0078 gram(approx.).



Maximum Rating and Electrical Characteristics

(at TA=25°C unless otherwise noted)

| Parameter | Conditions | Symbol | Min | Typ | Max | Unit |
|-------------------------|--|------------------|-----|-----|---------|------|
| Diode breakdown voltage | I _R = 1mA | V _{BD} | 13 | 17 | | V |
| Leakage current | V _R = 12V | I _L | | 0.1 | 2.0 | uA |
| Junction capacitance | V _R = 0V, f = 1MHz | C _T | | 12 | | pF |
| ESD capability | IEC 61000-4-2(air) IEC 61000-4-2(contact) | ESD | | | 16 8 | kV |
| Clamping voltage | I _{PP} = 1A, T _P =8/20us | V _C | | | 25 | V |
| Peak pulse power | T _P =8/20us | P _{PP} | | | 25 | W |
| Operation temperature | | T _j | | | 125 | °C |
| Storage temperature | | T _{STG} | -55 | | 150 | °C |

RATING AND CHARACTERISTIC CURVES (CPDT-12V)

Fig. 1 - 8/20us Peak pulse current wave form acc. IEC 61000-4-5

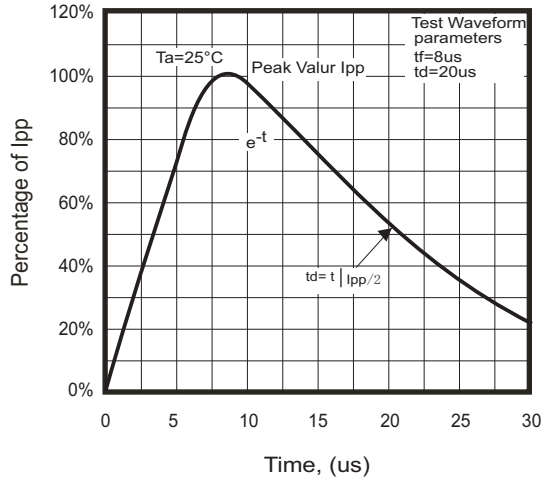


Fig. 2 - Reverse characteristics

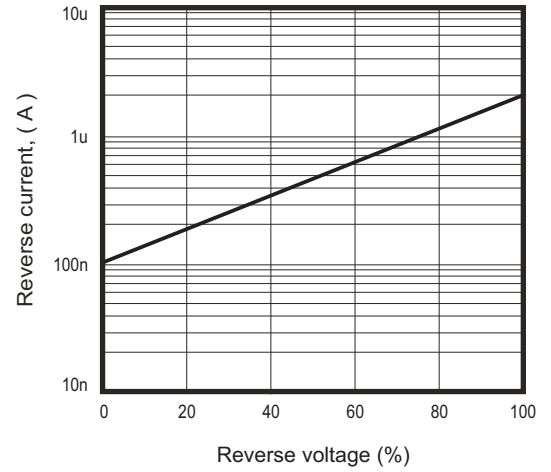


Fig.3 - Capacitance between terminals characteristics

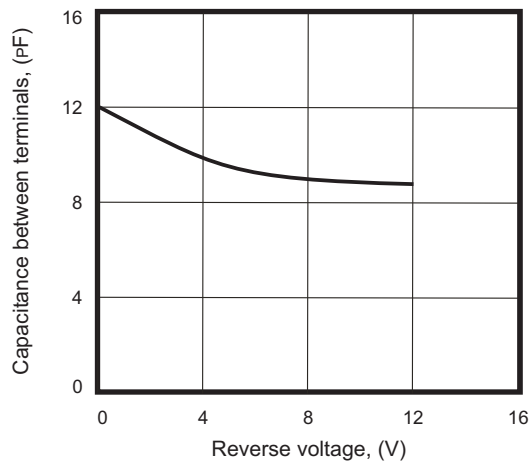
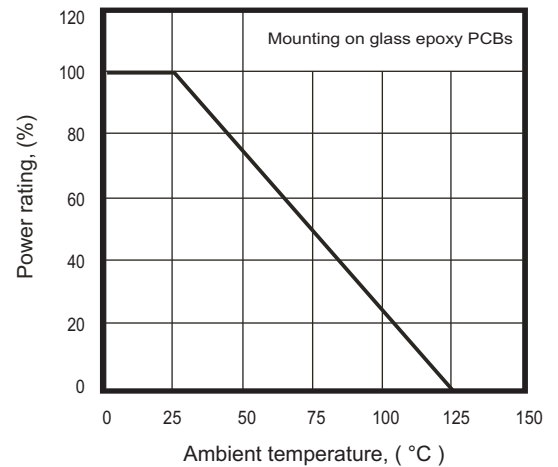
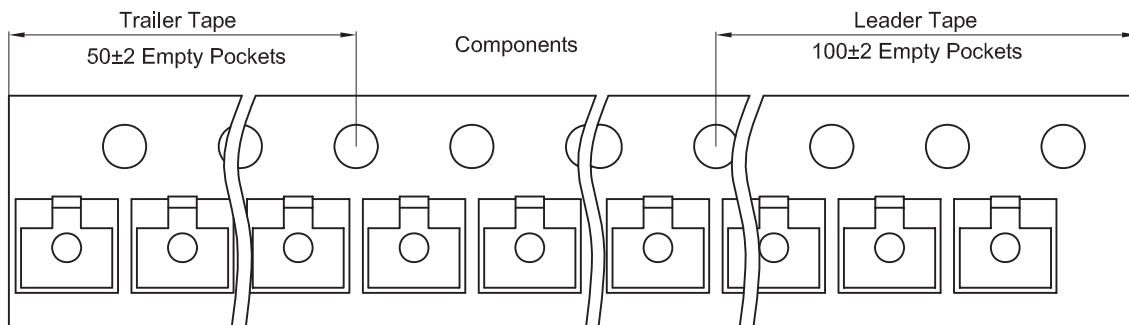
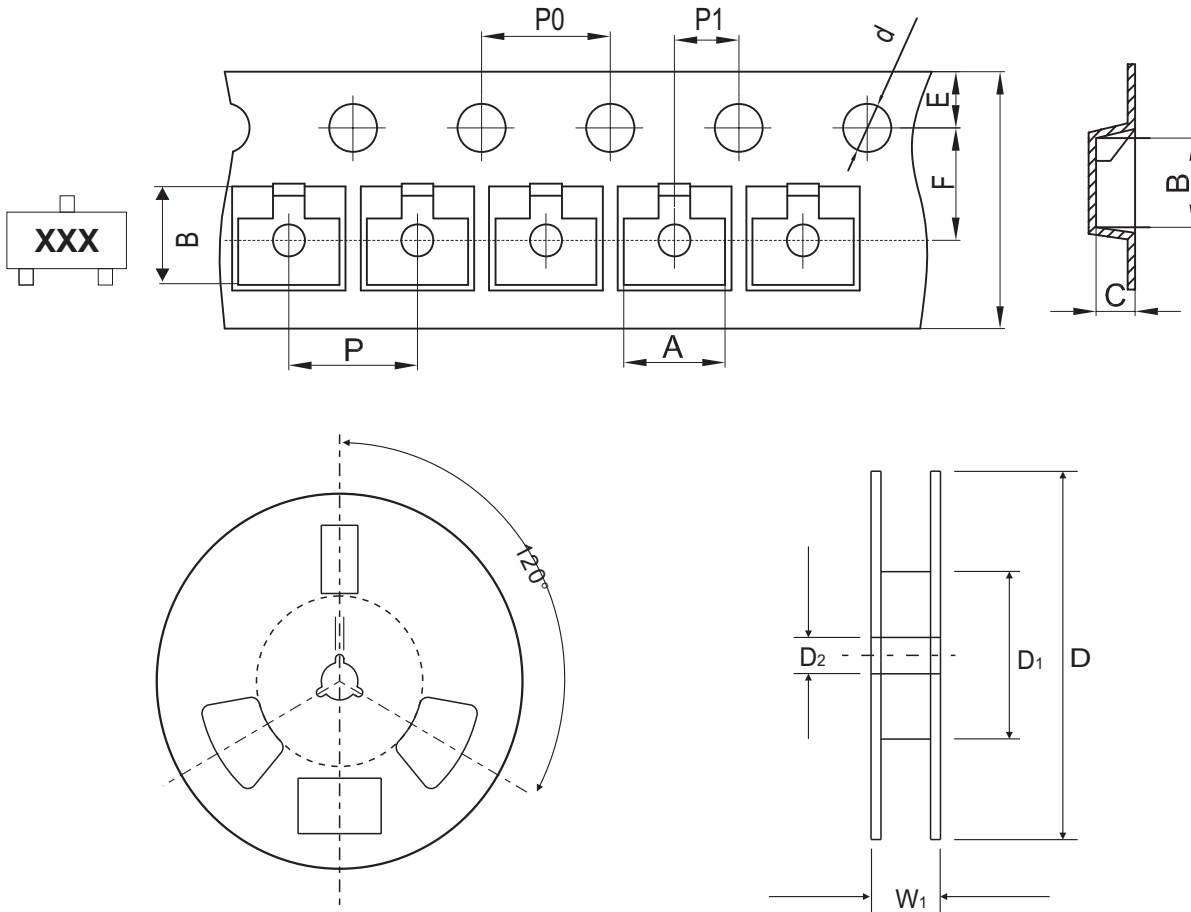


Fig.4 - Power rating derating curve



Reel Taping Specification



| SOT-23 | SYMBOL | A | B | C | d | D | D1 | D2 |
|--------|--------|---------------|---------------|---------------|---------------|---------------|---------------|---------------|
| | (mm) | 3.15 ± 0.10 | 2.77 ± 0.10 | 1.22 ± 0.10 | 1.50 ± 0.10 | 178 ± 2.00 | 54.40 ± 1.00 | 13.00 ± 1.00 |
| | (inch) | 0.124 ± 0.004 | 0.109 ± 0.004 | 0.048 ± 0.004 | 0.059 ± 0.004 | 7.008 ± 0.079 | 2.142 ± 0.039 | 0.512 ± 0.039 |

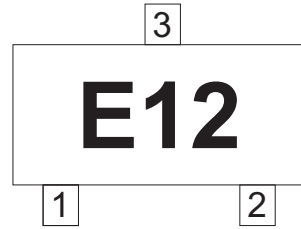
| SOT-23 | SYMBOL | E | F | P | P0 | P1 | W | W1 |
|--------|--------|---------------|---------------|---------------|---------------|---------------|-------------------------|---------------|
| | (mm) | 1.75 ± 0.10 | 3.50 ± 0.10 | 4.00 ± 0.10 | 4.00 ± 0.10 | 2.00 ± 0.10 | 8.00 + 0.30 / - 0.10 | 12.30 ± 1.0 |
| | (inch) | 0.069 ± 0.004 | 0.138 ± 0.004 | 0.157 ± 0.004 | 0.157 ± 0.004 | 0.079 ± 0.004 | 0.315 + 0.012 / - 0.004 | 0.484 ± 0.039 |

Company reserves the right to improve product design , functions and reliability without notice.

REV:B

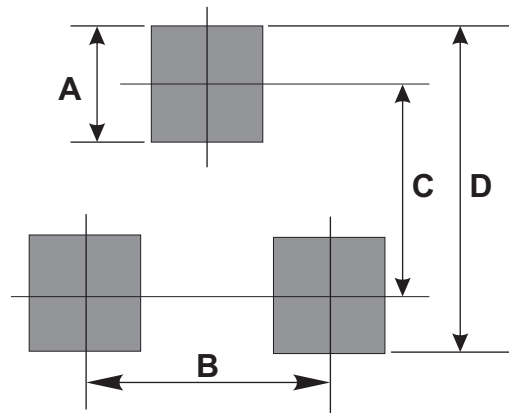
Marking Code

| Part Number | Marking Code |
|-------------|--------------|
| CPDT-12V | E12 |



Suggested PAD Layout

| SIZE | SOT-23 | |
|------|--------|--------|
| | (mm) | (inch) |
| A | 0.80 | 0.031 |
| B | 1.90 | 0.075 |
| C | 2.02 | 0.080 |
| D | 2.82 | 0.111 |



Standard Packaging

| Case Type | REEL PACK | |
|-----------|--------------|------------------|
| | REEL (pcs) | Reel Size (inch) |
| SOT-23 | 3,000 | 7 |

Mouser Electronics

Authorized Distributor

Click to View Pricing, Inventory, Delivery & Lifecycle Information:

[Comchip Technology:](#)

[CPDT-12V](#)