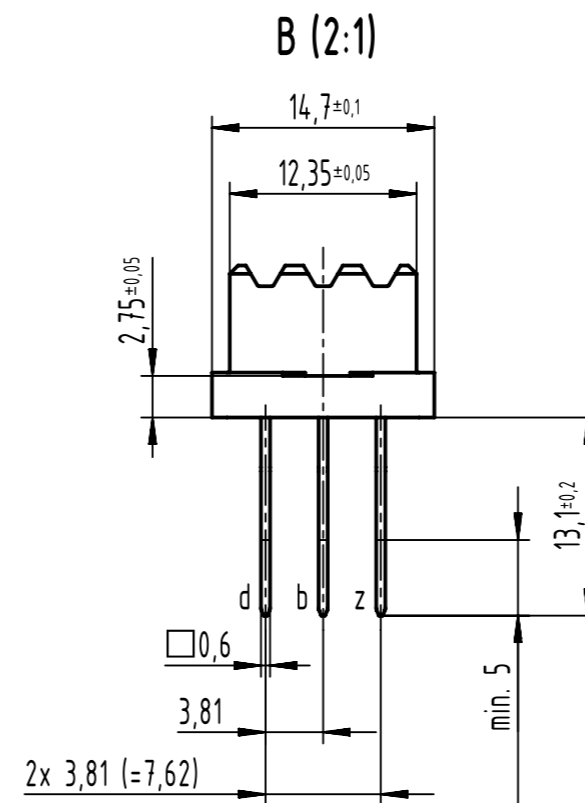
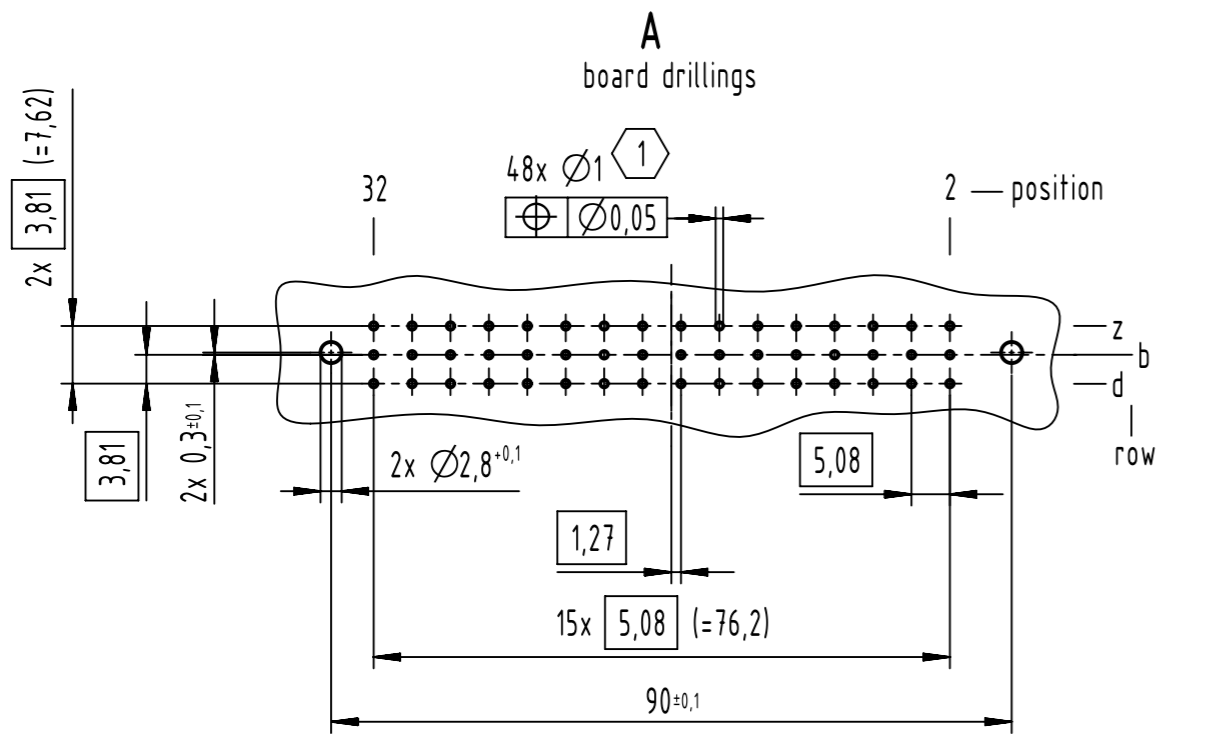


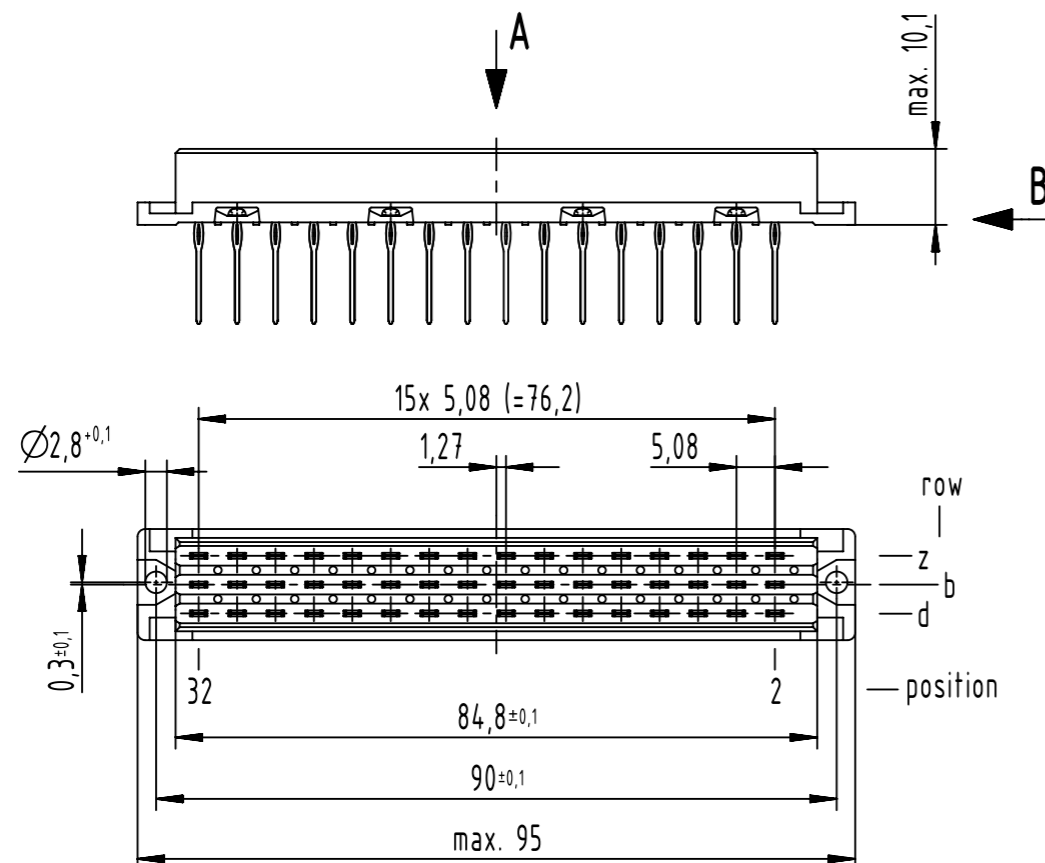
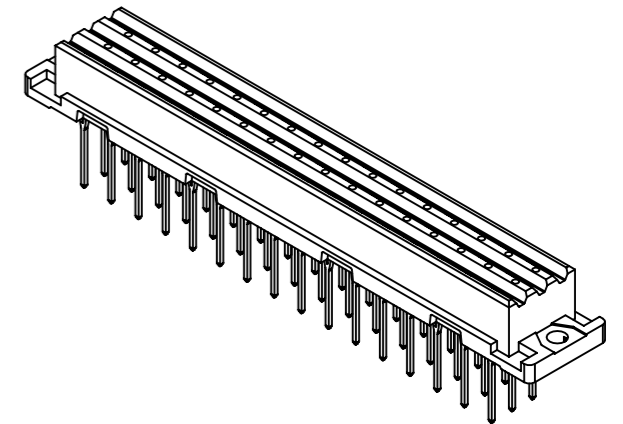
48 press-in-contacts

☒ = position with contact

□ = position without contact



length of mating Au over Ni equals performance level 2



1 recommended configuration of plated through holes and further information see product data sheet

09 06 248 6838	2
part no.	performance level

All rights reserved Department EL PD HARTING D-32339 Espelkamp	All Dimensions in mm Original Size DIN A3	Scale 1:1 Free size tol. IEC 60603-2	Ref. Sub.	Created by STORCK	Inspected by LEHNERT	Standardisation 302077	Date 2021-04-23	State Final Release
	Title DIN Power type F low-profile female press-in 13.1							Doc-Key / ECM-Nr. 100102874/UGD/019/D 500000193842
Type TB		Number 0906248X838		Rev. D	Page 1/1			