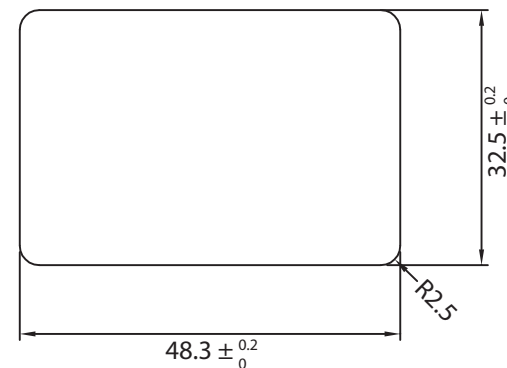
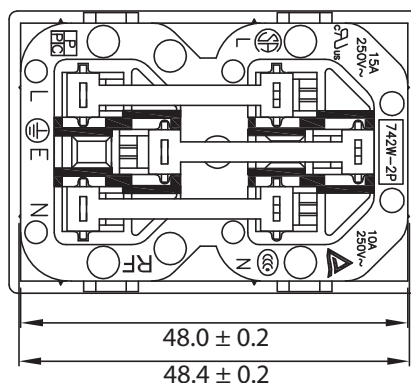
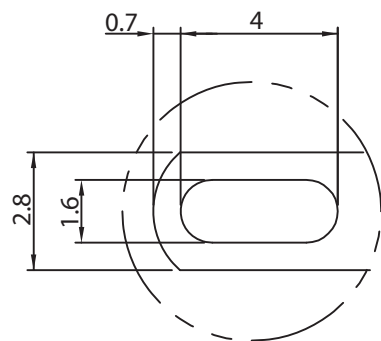
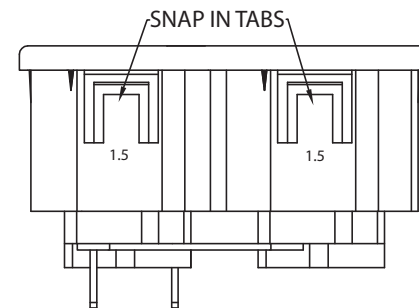
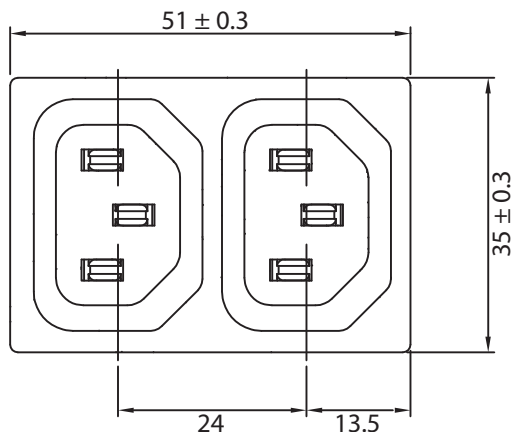
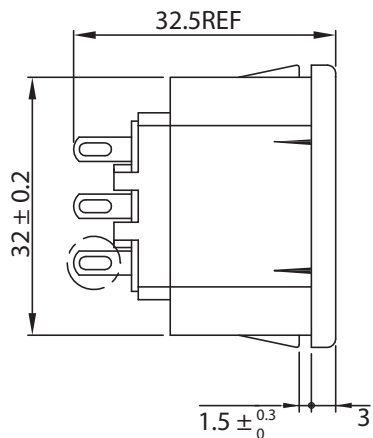


THESE DRAWINGS ARE THE PROPERTY OF QUALTEK ELECTRONICS AND NOT TO BE REPRODUCED FOR OR COMMUNICATED TO A THIRD PARTY WITHOUT THE EXPRESS WRITTEN PERMISSION OF AN OFFICER OF QUALTEK ELECTRONICS.

REVISION			
REV.	DESCRIPTION	DATE	APPROVED
B	RoHS Compliancy	06-01-06	DP
C	Updated Specifications	08-23-11	LY
D	Updated Approvals	09-15-15	LY



PANEL CUTOUT

CONTROLLED

NOTES:

MATERIAL:

HOUSING: PC BLACK COLOR
TERMINALS: TIN PLATED t=0.8mm

RATING:

UL, cUL, CSA: 15A 250V AC
TUV, CCC: 10A 250V AC
APPROVALS: UL, cUL, CSA TUV, CCC
PANEL THICKNESS: 1.5mm
RoHS COMPLIANT

Dim range (mm)	Tolerance +/- (mm)	Qualtek Electronics Corp. PPC DIVISION		
		Part Number: 742W-15/04	RoHS Compliant	
0-1	0.15	Description: AC RECEPTACLE		
1-6	0.20			
6-18	0.30	UNIT: mm	REV. D	
18-50	0.50		Approved / Date	
50-120	0.70	Drawn / Date	Checked / Date	Approved / Date
120-250	0.90	B.ZHANG 09-27-04	09-27-04	JJH / 09-27-04
250-500	1.20			