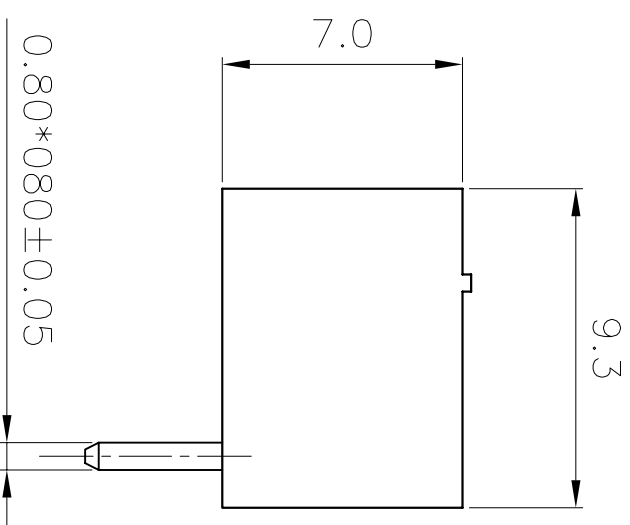
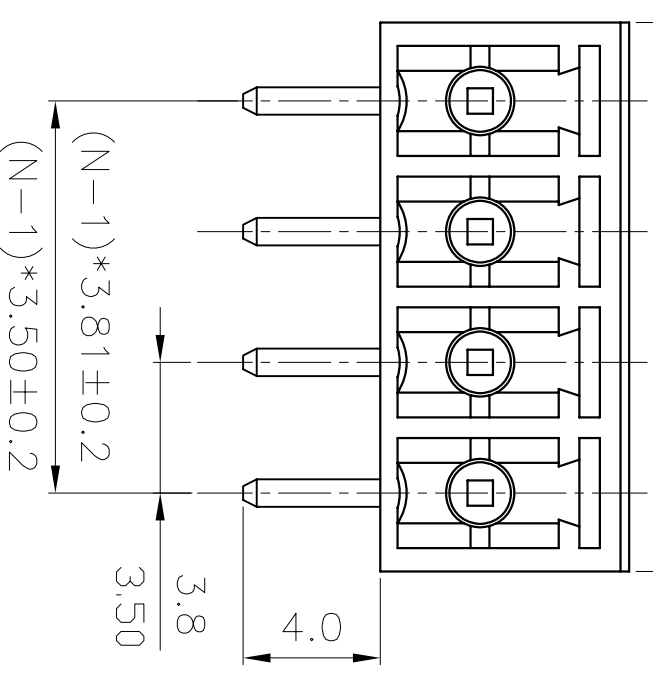
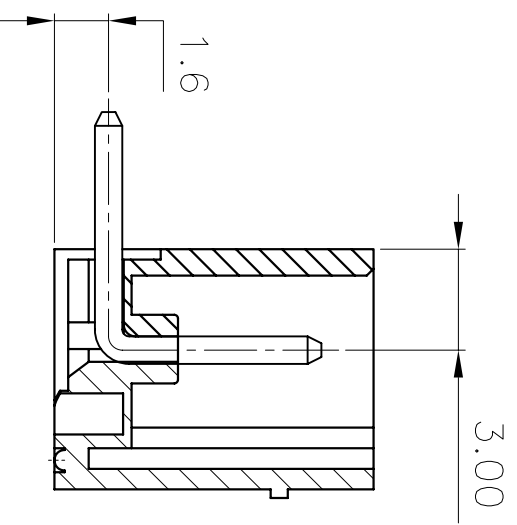
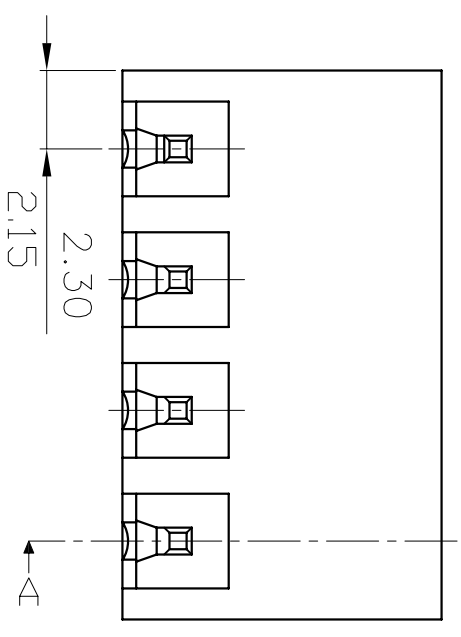


| REV. | DESCRIPTION | DRAWN | CHECKED | APPROVED |
|------|-------------|---------------|---------|----------|
| A | NEW RELEASE | LJH 07/08/07' | | |
| | | | | |

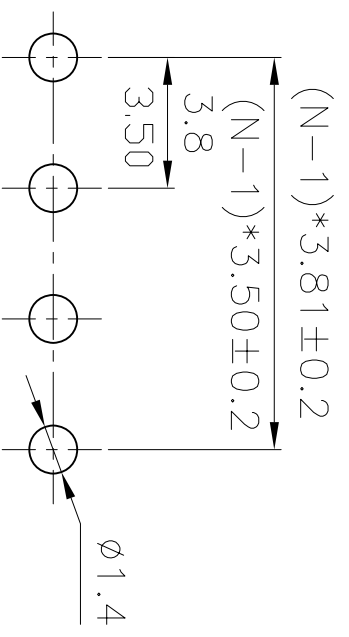
$(N-1)*3.81+4.6\pm 0.2$
 $(N-1)*3.50+4.3\pm 0.2$



N:NUMBER OF CONTACTS



SECTION A-A

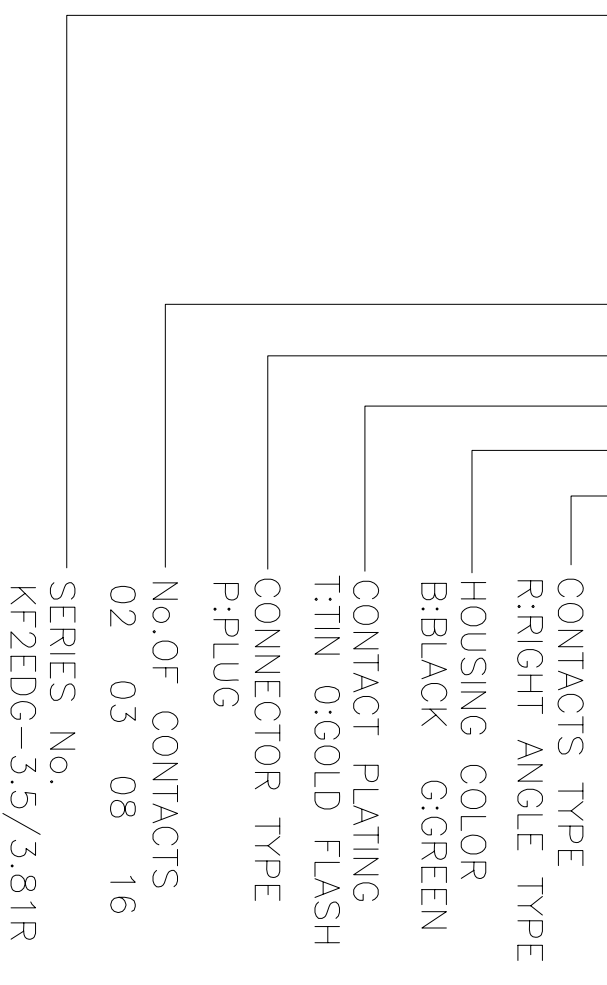


RECOMMEND PCB LAYOUT(TOLERANCE=±0.05)

- MATERIAL
PIN HEADER : BRASS, TIN PLATED
HOUSING : PA66, UL94V-0
- ELECTRICAL
RATED VOLTAGE : 300V
RATED CURRENT : 8A
CONTACT RESISTANCE : 20mΩ
INSULATION RESISTANCE : 5000MΩ/1000V
WITHSTANDING VOLTAGE : AC2000V/1Min
- MECHANICAL
TEMP.RANGE : -40°C~+130°C
MAX SOLDERING : +250°C, FOR 5 SEC.

PRODUCT NUMBER CODE:

KF2EDG-3.5/3.81R - X X X X X



GENERAL TOLERANCE ANGLE TOLERANCE

| | | | |
|-----|-------|-----|-----|
| X. | ±0.60 | X. | ±5° |
| .X | ±0.38 | .X | ±3° |
| .XX | ±0.25 | .XX | ±2° |

DRAWING TYPE CUSTOMER

| | | | |
|-------------|--------------------|-------|--------|
| SCALE | 1:1 | SHEET | 1 OF 1 |
| DRAWING NO. | KF2EDG-3.5R /3.81R | | |

PROJECTION

| | | | |
|------------|----|--------|---------------------------|
| UNITS | mm | TITLE | PLUGGABLE TERMINAL BLOCKS |
| SHEET SIZE | A4 | SERIES | KF2EDG-3.5R KF2EDG-3.81R |

KF 慈溪市凯峰电子有限公司
 KAIFENG ELECTRONIC CD.LTD

