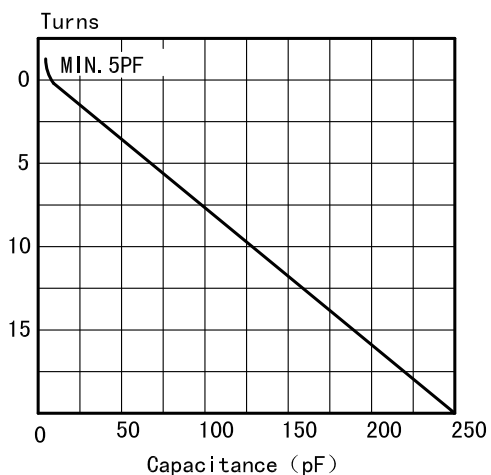
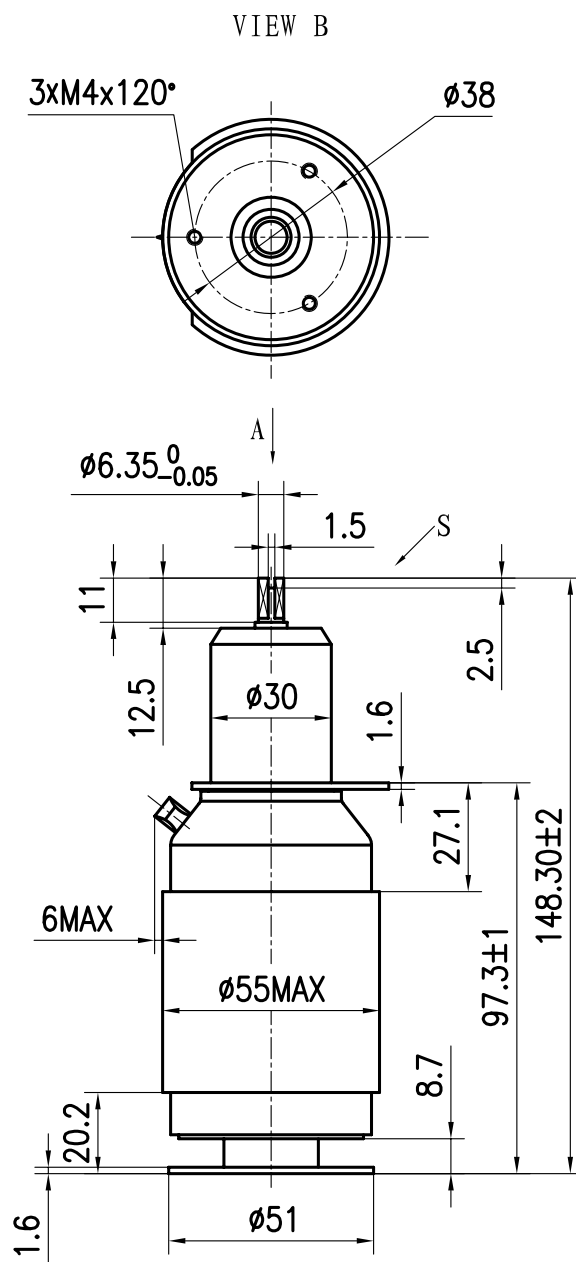




Data-Sheet-Variable Vacuum Capacitor
CKTB250/10/57



| Specification | |
|------------------------------------------------------|---------------|
| Capacity C_{max} (nominal) | 250pF |
| Capacity C_{min} (nominal) | 5pF |
| Voltage (Peak Test U_{pt} /Peak Working U_{pw}) | 15kV/9kV |
| Capacity tolerance (liner Range) | 10% |
| Max. Current I_{max} at 13.56MHz with | 57Arms |
| Conduction Cooling | 10W |
| Capacitance per turn | 14pF/turn |
| Torque | $\leq 0.15Nm$ |
| Lead Screw | M6 \times 1 |
| Net Weight | 0.6kg |



I_{max} at 25 °C ambient and 125 °C surface for convection and conduction (10w) cooling

