

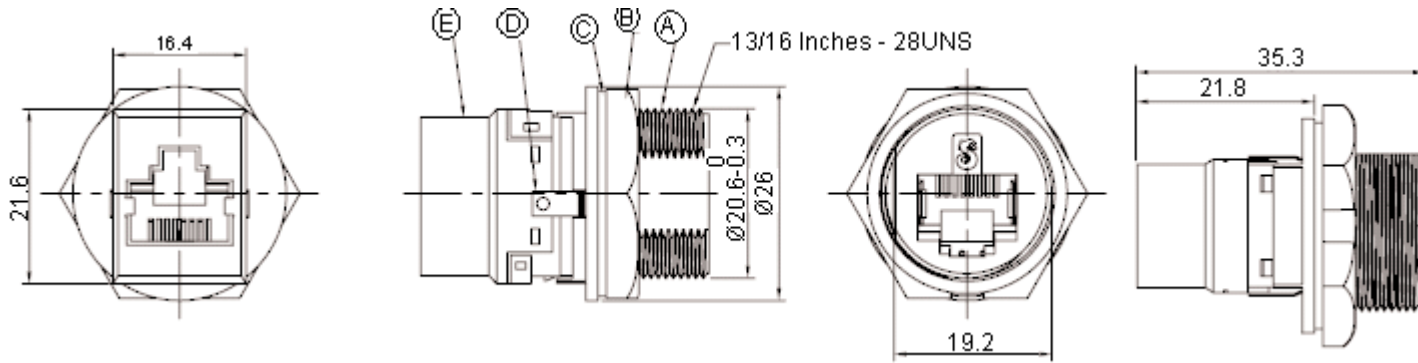


PART NO.

2TJ3003-W05100

REVISIONS

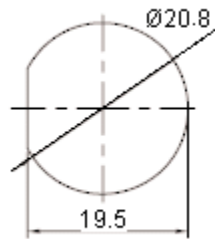
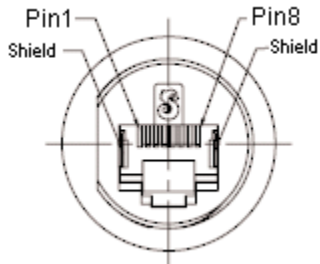
ECN #	REV	DESCRIPTION	DRAWN	DATE	CHECKD	DATE	APPRVD	DATE
-	A	RELEASED	Asha	3/02/11	Veena	3/02/11	Farnell	17/2/11



Dimensions : Millimetres

Pin Assignment
Frong View

Recommended Panel
Cut-Out



Dimensions : Millimetres

This data sheet and its contents (the "Information") belong to the Premier Farnell Group (the "Group") or are licensed to it. No licence is granted for the use of it other than for information purposes in connection with the products to which it relates. No licence of any intellectual property rights is granted. The Information is subject to change without notice and replaces all data sheets previously supplied. The Information supplied is believed to be accurate but the Group assumes no responsibility for its accuracy or completeness, any error in or omission from it or for any use made of it. Users of this data sheet should check for themselves the Information and the suitability of the products for their purpose and not make any assumptions based on information included or omitted. Liability for loss or damage resulting from any reliance on the Information or use of it (including liability resulting from negligence or where the Group was aware of the possibility of such loss or damage arising) is excluded. This will not operate to limit or restrict the Group's liability for death or personal injury resulting from its negligence. SPC MULTICOMP is the registered trademark of the Group. © Premier Farnell plc 2011.

TOLERANCES:
UNLESS OTHERWISE SPECIFIED, DIMENSIONS ARE FOR REFERENCE PURPOSES ONLY.

DRAWN BY:	DATE:
Asha	3/02/11
CHECKED BY:	DATE:
Veena	3/02/11
APPROVED BY:	DATE:
Farnell	17/2/11

DRAWING TITLE:			
Header - Waterproof RJ45 CAT.5E STP Jack			
SIZE	DWG NO.	ELECTRONIC FILE	REV
A	M10002802	2TJ3003-W05100_DWG	A
SCALE: NTS		U.O.M.: mm	SHEET: 1 OF 2



PART NO.

2TJ3003-W05100

REVISIONS

ECN #	REV	DESCRIPTION	DRAWN	DATE	CHECKD	DATE	APPRVD	DATE
-	A	RELEASED	Asha	3/02/11	Veena	3/02/11	Farnell	17/2/11

Specifications:

Waterproof rate : IP67 (when properly mated)
 IP67 : Immersed in 1M water for 30 minutes.

Electrical Characteristics:

Rating : 125V 1.5A.
 Maximum contact resistance : 100mΩ (initial).
 Dielectric withstanding voltage : 500V ac for one minute.
 Minimum insulation resistance : 100mΩ measured by 500V dc.
 Other general specifications to refer RJ45 series specifications.
 To conform to singatron hazardous substance free specifications.
 For panel thickness maximum of 3.5mm.

Specifications Table

Description	Material	Plating and Colour
Housing	PPE	BLACK
Screw Nut		
Gasket	EPDM	
Ground	C5210-EH, T = 0.25mm	Nickel plating 60μ inches
RJ45 Jack	CAT5E STP	N/A

Part Number Table

Description	Part Number
Jack, STP, CAT5E, Panel Mount, IP67	2TJ3003-W05100

<http://www.farnell.com>

<http://www.newark.com>

<http://www.cpc.co.uk>

This data sheet and its contents (the "Information") belong to the Premier Farnell Group (the "Group") or are licensed to it. No licence is granted for the use of it other than for information purposes in connection with the products to which it relates. No licence of any intellectual property rights is granted. The Information is subject to change without notice and replaces all data sheets previously supplied. The Information supplied is believed to be accurate but the Group assumes no responsibility for its accuracy or completeness, any error in or omission from it or for any use made of it. Users of this data sheet should check for themselves the Information and the suitability of the products for their purpose and not make any assumptions based on information included or omitted. Liability for loss or damage resulting from any reliance on the Information or use of it (including liability resulting from negligence or where the Group was aware of the possibility of such loss or damage arising) is excluded. This will not operate to limit or restrict the Group's liability for death or personal injury resulting from its negligence. SPC MULTICOMP is the registered trademark of the Group. © Premier Farnell plc 2011.

TOLERANCES:

UNLESS OTHERWISE SPECIFIED, DIMENSIONS ARE FOR REFERENCE PURPOSES ONLY.

DRAWN BY:	DATE:
Asha	3/02/11
CHECKED BY:	DATE:
Veena	3/02/11
APPROVED BY:	DATE:
Farnell	17/2/11

DRAWING TITLE:

Header - Waterproof RJ45 CAT.5E STP Jack

SIZE A	DWG NO. M10002802	ELECTRONIC FILE 2TJ3003-W05100_DWG	REV A
SCALE: NTS	U.O.M.: mm	SHEET: 2 OF 2	