

Feature

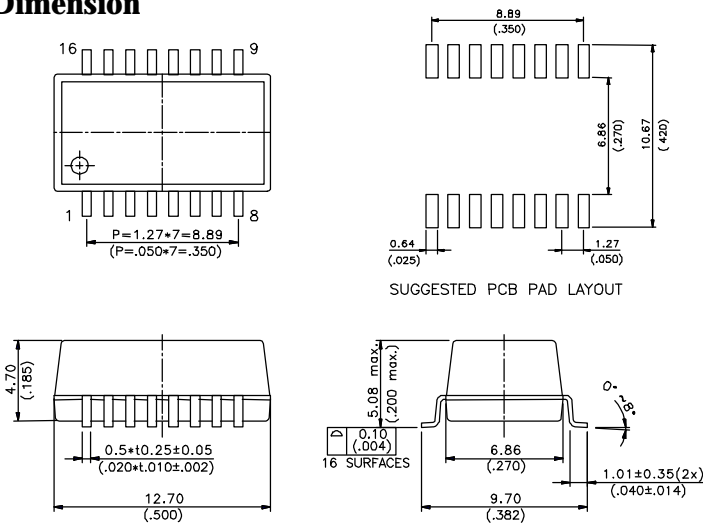
- ◆ Designed to meet IEEE802.3u requirement.
- ◆ Symmetrical TX and RX channels for auto MDI/MDIX capability.
- ◆ Primary inductance 350 μ H min. with 8mA DC Bias
- ◆ Designed to meet IR 235 $^{\circ}$ C peak requirement.

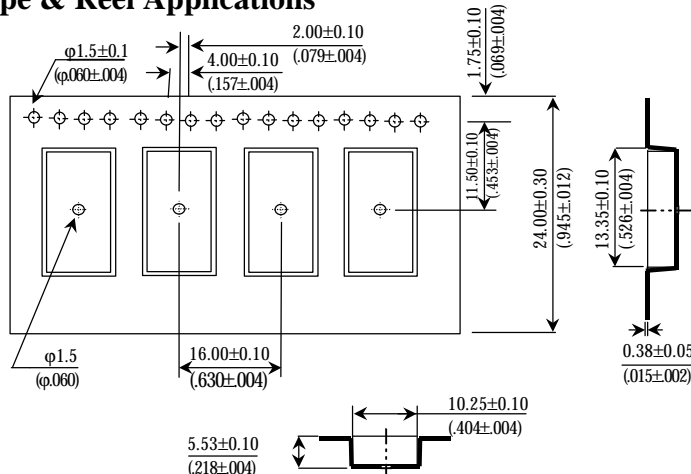
Specifications @ 25 $^{\circ}$ C

Parameter	Condition	Min.	Typ.	Max.	Unit
Inductance	Pin(1-3) & Pin(6-8)	350	*Note 1		μ H
Turn Ratio	Pin(1-3):(16-14)		1 : 1		
	Pin(6-8) : (11-9)		1 : 1		
Insertion Loss	@ 1-100MHz			-1.0	dB
Return Loss	@ 1-30MHz	-16			dB
	@ 30-60MHz		*Note 2		dB
	@ 60-80MHz	-10			dB
Cross Talk	@ 1-60MHz	-40			dB
	@ 60-100MHz	-38			dB
CMRR (TX/RX)	@ 1-60MHz	-45/-40			dB
	@ 60-100MHz	-40/-35			dB
Voltage Isolation		1500			V _{rms}

 Note 1: measured at 8mA_{dc} over operating temperature 0~70 $^{\circ}$ C

Note 2: Greater than 16-20 log(f/30 MHz)dB

Dimension

 Unless otherwise specified, all tolerances are mm(inch) \pm 0.25(0.01)

Tape & Reel Applications


Weight 0.8 grams typical
 Tape & reel 750/reel
 Tube 39/tube