

# CMA31 Relay



## 1.COIL DATA

1-1.Nominal Voltage	6~ 24VDC
1-2.Coil Restistance	Refer to CoilData Chart
1-3.Operate Voltage	Refer to CoilData Chart
1-4.Release Voltage	Refer to CoilData Chart
1-5.Coil Power	1600mW

## 2.CONTACT DATA

2-1.Contact Form	C-1 form C, A-1 form A, B-1 form B
2-2.Contact Material	Ag Alloy
2-3.Contact Rating	30A 14VDC Resistive (1 Form C) 40A 14VDC Resistive (1 Form A) 30A 14VDC Resistive (1 Form B)
2-4.Max.Switching Voltage	75VDC
2-5.Max.Switching Current	40A
2-6.Max.Switching Power	420W(1 Form C),560W(1 Form A)
2-7.Max.Load Current(14VDC Load Voltage)	

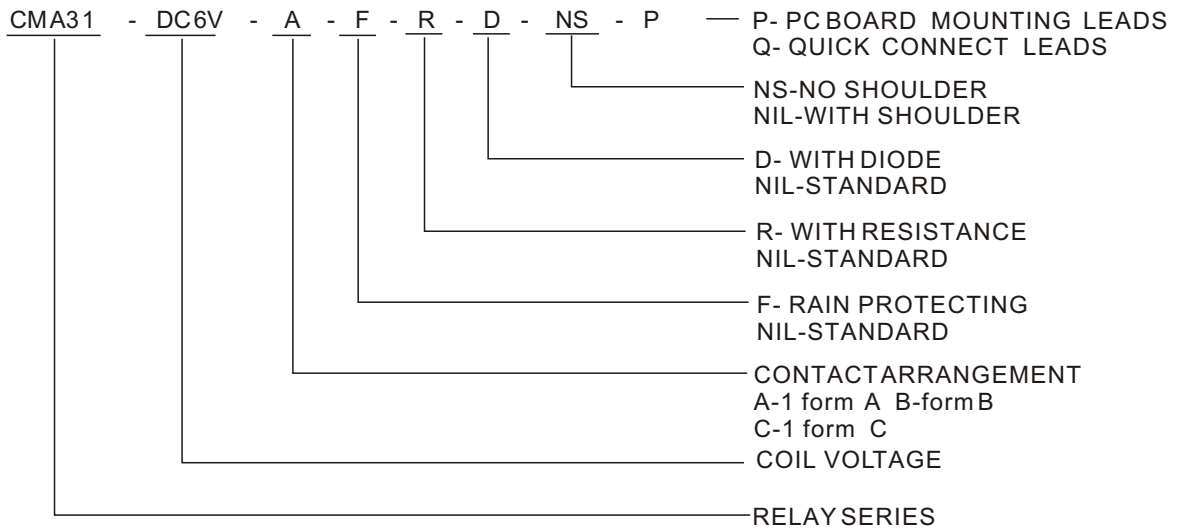
Load	A	B	C	
			NO	NC
Max.Carry Current	40A	30A	40A	30A
Max.Make Current	100A	60A	100A	30A
Max.Break Current	40A	30A	40A	30A

2-8. Contact Resistance	≤100mΩ.(6VDC 1A)
2-9. Life	
Electrical	100,000 operations
Mechanical	10,000,000 operations

## 3.GENERAL DATA

3-1.Insulation Resistance	Min.100MΩ 500VDC
3-2.Dielectric Strength	500VAC,1min between open contacts 500VAC,1min between coil and contacts
3-3.Operate Time	Max.10ms
3-4.Release Time	Max.10ms
3-5.Operate Temperature	-40 ~ +85°C
3-6.Shock Resistance	
Endurance	1,000m/s <sup>2</sup>
Misoperation	100m/s <sup>2</sup>
3-7.Vibration Resistance	
Endurance	10 -55Hz ,double amplitude 1.5mm
Misoperation	10 -55Hz ,double amplitude 1.5mm
3-8.Weight	Approximately 37.0g(WITH SHOULDER) Approximately 32.0g(NO SHOULDER)

#### 4. ORDER CODE

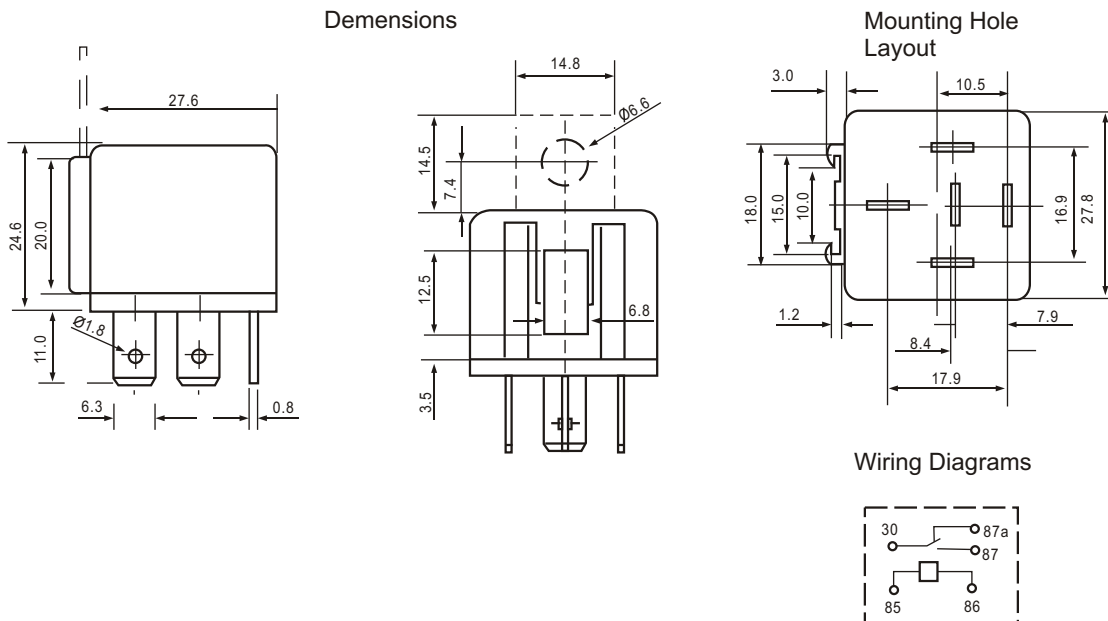


#### 5.COIL DATA CHART

20°C

Model	Nominal Voltage VDC	Coil Resistance $\Omega$ +/-10%	Operate Voltage $\leq$ VDC	Release Voltage $\geq$ VDC	Coil Power mW
CMA31- DC6V	6	22.5	4.2	0.6	1600
CMA31- DC12V	12	90.0	8.4	1.2	
CMA31-DC24V	24	360	16.8	2.4	

#### 6.DIMENSIONS (mm)



**7. CMA31 CHARACTERISTIC CHART DATA**

