

# Spansion® SLC NAND Flash Memory for Embedded

1 Gb, 2 Gb, 4 Gb Densities:  
4-bit ECC, x8 and x16 I/O, 3V V<sub>CC</sub>  
S34ML01G2, S34ML02G2, S34ML04G2

*Data Sheet*

---



**Notice to Readers:** This document states the current technical specifications regarding the Spansion product(s) described herein. Each product described herein may be designated as Advance Information, Preliminary, or Full Production. See [Notice On Data Sheet Designations](#) for definitions.

## Notice On Data Sheet Designations

Spansion Inc. issues data sheets with Advance Information or Preliminary designations to advise readers of product information or intended specifications throughout the product life cycle, including development, qualification, initial production, and full production. In all cases, however, readers are encouraged to verify that they have the latest information before finalizing their design. The following descriptions of Spansion data sheet designations are presented here to highlight their presence and definitions.

### Advance Information

The Advance Information designation indicates that Spansion Inc. is developing one or more specific products, but has not committed any design to production. Information presented in a document with this designation is likely to change, and in some cases, development on the product may discontinue. Spansion Inc. therefore places the following conditions upon Advance Information content:

“This document contains information on one or more products under development at Spansion Inc. The information is intended to help you evaluate this product. Do not design in this product without contacting the factory. Spansion Inc. reserves the right to change or discontinue work on this proposed product without notice.”

### Preliminary

The Preliminary designation indicates that the product development has progressed such that a commitment to production has taken place. This designation covers several aspects of the product life cycle, including product qualification, initial production, and the subsequent phases in the manufacturing process that occur before full production is achieved. Changes to the technical specifications presented in a Preliminary document should be expected while keeping these aspects of production under consideration. Spansion places the following conditions upon Preliminary content:

“This document states the current technical specifications regarding the Spansion product(s) described herein. The Preliminary status of this document indicates that product qualification has been completed, and that initial production has begun. Due to the phases of the manufacturing process that require maintaining efficiency and quality, this document may be revised by subsequent versions or modifications due to changes in technical specifications.”

### Combination

Some data sheets contain a combination of products with different designations (Advance Information, Preliminary, or Full Production). This type of document distinguishes these products and their designations wherever necessary, typically on the first page, the ordering information page, and pages with the DC Characteristics table and the AC Erase and Program table (in the table notes). The disclaimer on the first page refers the reader to the notice on this page.

### Full Production (No Designation on Document)

When a product has been in production for a period of time such that no changes or only nominal changes are expected, the Preliminary designation is removed from the data sheet. Nominal changes may include those affecting the number of ordering part numbers available, such as the addition or deletion of a speed option, temperature range, package type, or  $V_{IO}$  range. Changes may also include those needed to clarify a description or to correct a typographical error or incorrect specification. Spansion Inc. applies the following conditions to documents in this category:

“This document states the current technical specifications regarding the Spansion product(s) described herein. Spansion Inc. deems the products to have been in sufficient production volume such that subsequent versions of this document are not expected to change. However, typographical or specification corrections, or modifications to the valid combinations offered may occur.”

Questions regarding these document designations may be directed to your local sales office.

# Spansion® SLC NAND Flash Memory for Embedded

1 Gb, 2 Gb, 4 Gb Densities:  
4-bit ECC, x8 and x16 I/O, 3V V<sub>CC</sub>  
S34ML01G2, S34ML02G2, S34ML04G2



## Data Sheet

---

## Distinctive Characteristics

- **Density**
  - 1 Gbit / 2 Gbit / 4 Gbit
- **Architecture**
  - Input / Output Bus Width: 8-bits / 16-bits
  - Page Size:
    - x8:
      - 1 Gbit: (2048 + 64) bytes; 64-byte spare area
      - 2 Gbit / 4 Gbit: (2048 + 128) bytes; 128-byte spare area
    - x16:
      - 1 Gbit: (1024 + 32) words; 32-word spare area
      - 2 Gbit / 4 Gbit (1024 + 64) words; 64-word spare area
  - Block Size: 64 Pages
    - x8:
      - 1 Gbit: 128k + 4k bytes
      - 2 Gbit / 4 Gbit: 128k + 8k bytes
    - x16:
      - 1 Gbit: 64k + 2k words
      - 2 Gbit / 4 Gbit: 64k + 4k words
  - Plane Size
    - x8
      - 1 Gbit: 1024 Blocks per Plane or (128M + 4M) bytes
      - 2 Gbit: 1024 Blocks per Plane or (128M + 8M) bytes
      - 4 Gbit: 2048 Blocks per Plane or (256M + 16M) bytes
    - x16
      - 1 Gbit: 1024 Blocks per Plane or (64M + 2M) words
      - 2 Gbit: 1024 Blocks per Plane or (64M + 4M) words
      - 4 Gbit: 2048 Blocks per Plane or (128M + 8M) words
- Device Size
  - 1 Gbit: 1 Plane per Device or 128 Mbyte
  - 2 Gbit: 2 Planes per Device or 256 Mbyte
  - 4 Gbit: 2 Planes per Device or 512 Mbyte
- **NAND Flash Interface**
  - Open NAND Flash Interface (ONFI) 1.0 compliant
  - Address, Data, and Commands multiplexed
- **Supply Voltage**
  - 3.3V device: V<sub>CC</sub> = 2.7V ~ 3.6V
- **Security**
  - One Time Programmable (OTP) area
  - Serial number (unique ID) (Contact factory for support)
  - Hardware program/erase disabled during power transition
- **Additional Features**
  - 2 Gb and 4 Gb parts support Multiplane Program and Erase commands
  - Supports Copy Back Program
  - 2 Gb and 4 Gb parts support Multiplane Copy Back Program
  - Supports Read Cache
- **Electronic Signature**
  - Manufacturer ID: 01h
- **Operating Temperature**
  - Industrial: -40°C to 85°C
  - Industrial Plus: -40°C to 105°C

## Performance

- **Page Read / Program**
  - Random access: 25 µs (Max) (S34ML01G2)
  - Random access: 30 µs (Max) (S34ML02G2, S34ML04G2)
  - Sequential access: 25 ns (Min)
  - Program time / Multiplane Program time: 300 µs (Typ)
- **Block Erase (S34ML01G2)**
  - Block Erase time: 3 ms (Typ)
- **Block Erase / Multiplane Erase (S34ML02G2, S34ML04G2)**
  - Block Erase time: 3.5 ms (Typ)
- **Reliability**
  - 100,000 Program / Erase cycles (Typ)  
(with 4-bit ECC per 528 bytes (x8) or 264 words (x16))
  - 10 Year Data retention (Typ)
  - Blocks zero and one are valid and will be valid for at least 1000 program-erase cycles with ECC
- **Package Options**
  - Lead Free and Low Halogen
  - 48-Pin TSOP 12 x 20 x 1.2 mm
  - 63-Ball BGA 9 x 11 x 1 mm
  - 67-Ball BGA 8 x 6.5 x 1 mm (S34ML01G2)

## Table of Contents

|   |    |
|---|----|
| <b>Distinctive Characteristics</b> .....                        | 3  |
| <b>Performance</b> .....  | 3  |
| <b>1. General Description</b> .....                             | 9  |
| 1.1 Logic Diagram .....   | 10 |
| 1.2 Connection Diagram .....                                    | 11 |
| 1.3 Pin Description .....                                       | 13 |
| 1.4 Block Diagram .....   | 14 |
| 1.5 Array Organization .....                                    | 15 |
| 1.6 Addressing .....  | 17 |
| 1.7 Mode Selection .....  | 20 |
| <b>2. Bus Operation</b> .....                                   | 20 |
| 2.1 Command Input .....   | 20 |
| 2.2 Address Input .....   | 20 |
| 2.3 Data Input .....  | 21 |
| 2.4 Data Output .....   | 21 |
| 2.5 Write Protect .....   | 21 |
| 2.6 Standby .....   | 21 |
| <b>3. Command Set</b> .....                                     | 22 |
| 3.1 Page Read .....   | 23 |
| 3.2 Page Program .....  | 23 |
| 3.3 Multiplane Program — S34ML02G2 and S34ML04G2 .....          | 24 |
| 3.4 Page Reprogram .....  | 24 |
| 3.5 Block Erase .....   | 26 |
| 3.6 Multiplane Block Erase — S34ML02G2 and S34ML04G2 .....      | 26 |
| 3.7 Copy Back Program .....                                     | 27 |
| 3.8 Read Status Register .....                                  | 28 |
| 3.9 Read Status Enhanced — S34ML02G2 and S34ML04G2 .....        | 28 |
| 3.10 Read Status Register Field Definition .....                | 28 |
| 3.11 Reset .....  | 29 |
| 3.12 Read Cache .....   | 29 |
| 3.13 Cache Program .....  | 30 |
| 3.14 Multiplane Cache Program — S34ML02G2 and S34ML04G2 .....   | 31 |
| 3.15 Read ID .....  | 32 |
| 3.16 Read ID2 .....   | 34 |
| 3.17 Read ONFI Signature .....                                  | 34 |
| 3.18 Read Parameter Page .....                                  | 35 |
| 3.19 Read Unique ID (Contact Factory) .....                     | 37 |
| 3.20 One-Time Programmable (OTP) Entry .....                    | 38 |
| <b>4. Signal Descriptions</b> .....                             | 38 |
| 4.1 Data Protection and Power On / Off Sequence .....           | 38 |
| 4.2 Ready/Busy .....  | 39 |
| 4.3 Write Protect Operation .....                               | 40 |
| <b>5. Electrical Characteristics</b> .....                      | 41 |
| 5.1 Valid Blocks .....  | 41 |
| 5.2 Absolute Maximum Ratings .....                              | 41 |
| 5.3 AC Test Conditions .....                                    | 41 |
| 5.4 AC Characteristics .....                                    | 42 |
| 5.5 DC Characteristics .....                                    | 43 |
| 5.6 Pin Capacitance .....                                       | 43 |
| 5.7 Program / Erase Characteristics .....                       | 44 |
| <b>6. Timing Diagrams</b> .....                                 | 45 |
| 6.1 Command Latch Cycle .....                                   | 45 |
| 6.2 Address Latch Cycle .....                                   | 46 |
| 6.3 Data Input Cycle Timing .....                               | 46 |
| 6.4 Data Output Cycle Timing (CLE=L, WE#=H, ALE=L, WP#=H) ..... | 47 |

|            |   |           |
|------------|---|-----------|
| 6.5        | Data Output Cycle Timing (EDO Type, CLE=L, WE#=H, ALE=L) . . . . .    | 47        |
| 6.6        | Page Read Operation . . . . .   | 48        |
| 6.7        | Page Read Operation (Interrupted by CE#). . . . .                     | 48        |
| 6.8        | Page Read Operation Timing with CE# Don't Care. . . . .               | 49        |
| 6.9        | Page Program Operation . . . . .                                      | 49        |
| 6.10       | Page Program Operation Timing with CE# Don't Care . . . . .           | 50        |
| 6.11       | Page Program Operation with Random Data Input . . . . .               | 50        |
| 6.12       | Random Data Output In a Page. . . . .                                 | 51        |
| 6.13       | Multiplane Page Program Operation — S34ML02G2 and S34ML04G2 . . . . . | 51        |
| 6.14       | Block Erase Operation . . . . .                                       | 52        |
| 6.15       | Multiplane Block Erase — S34ML02G2 and S34ML04G2 . . . . .            | 53        |
| 6.16       | Copy Back Read with Optional Data Readout . . . . .                   | 54        |
| 6.17       | Copy Back Program Operation With Random Data Input . . . . .          | 54        |
| 6.18       | Multiplane Copy Back Program — S34ML02G2 and S34ML04G2 . . . . .      | 55        |
| 6.19       | Read Status Register Timing . . . . .                                 | 56        |
| 6.20       | Read Status Enhanced Timing . . . . .                                 | 57        |
| 6.21       | Reset Operation Timing . . . . .                                      | 57        |
| 6.22       | Read Cache . . . . .  | 58        |
| 6.23       | Cache Program . . . . .   | 60        |
| 6.24       | Multiplane Cache Program — S34ML02G2 and S34ML04G2 . . . . .          | 61        |
| 6.25       | Read ID Operation Timing . . . . .                                    | 63        |
| 6.26       | Read ID2 Operation Timing . . . . .                                   | 63        |
| 6.27       | Read ONFI Signature Timing . . . . .                                  | 64        |
| 6.28       | Read Parameter Page Timing . . . . .                                  | 64        |
| 6.29       | Read Unique ID Timing (Contact Factory) . . . . .                     | 65        |
| 6.30       | OTP Entry Timing . . . . .  | 65        |
| 6.31       | Power On and Data Protection Timing . . . . .                         | 66        |
| 6.32       | WP# Handling . . . . .  | 66        |
| <b>7.</b>  | <b>Physical Interface</b> . . . . .                                   | <b>67</b> |
| 7.1        | Physical Diagram . . . . .  | 67        |
| <b>8.</b>  | <b>System Interface</b> . . . . .                                     | <b>70</b> |
| <b>9.</b>  | <b>Error Management</b> . . . . .                                     | <b>72</b> |
| 9.1        | System Bad Block Replacement . . . . .                                | 72        |
| 9.2        | Bad Block Management . . . . .  | 73        |
| <b>10.</b> | <b>Ordering Information</b> . . . . .                                 | <b>74</b> |
| <b>11.</b> | <b>Revision History</b> . . . . .                                     | <b>75</b> |

## Figures

|             |   |    |
|-------------|---|----|
| Figure 1.1  | Logic Diagram   | 10 |
| Figure 1.2  | 48-Pin TSOP1 Contact x8, x16 Device   | 11 |
| Figure 1.3  | 63-BGA Contact, x8 Device (Balls Down, Top View)                            | 11 |
| Figure 1.4  | 63-BGA Contact, x16 Device (Balls Down, Top View)                           | 12 |
| Figure 1.5  | 67-BGA Contact (Balls Down, Top View)                                       | 12 |
| Figure 1.6  | Functional Block Diagram  | 14 |
| Figure 1.7  | Array Organization — S34ML01G2 (x8)   | 15 |
| Figure 1.8  | Array Organization — S34ML01G2 (x16)  | 15 |
| Figure 1.9  | Array Organization — S34ML02G2 and S34ML04G2 (x8)                           | 16 |
| Figure 1.10 | Array Organization — S34ML02G2 and S34ML04G2 (x16)                          | 16 |
| Figure 3.1  | Page Reprogram  | 25 |
| Figure 3.2  | Page Reprogram with Data Manipulation                                       | 25 |
| Figure 4.1  | Ready/Busy Pin Electrical Application                                       | 39 |
| Figure 4.2  | WP# Low Timing Requirements during Program/Erase Command Sequence           | 40 |
| Figure 6.1  | Command Latch Cycle   | 45 |
| Figure 6.2  | Address Latch Cycle   | 46 |
| Figure 6.3  | Input Data Latch Cycle  | 46 |
| Figure 6.4  | Data Output Cycle Timing  | 47 |
| Figure 6.5  | Data Output Cycle Timing (EDO)  | 47 |
| Figure 6.6  | Page Read Operation (Read One Page)   | 48 |
| Figure 6.7  | Page Read Operation Interrupted by CE#                                      | 48 |
| Figure 6.8  | Page Read Operation Timing with CE# Don't Care                              | 49 |
| Figure 6.9  | Page Program Operation  | 49 |
| Figure 6.10 | Page Program Operation Timing with CE# Don't Care                           | 50 |
| Figure 6.11 | Random Data Input   | 50 |
| Figure 6.12 | Random Data Output  | 51 |
| Figure 6.13 | Multiplane Page Program   | 51 |
| Figure 6.14 | Multiplane Page Program (ONFI 1.0 Protocol)                                 | 52 |
| Figure 6.15 | Block Erase Operation (Erase One Block)                                     | 52 |
| Figure 6.16 | Multiplane Block Erase  | 53 |
| Figure 6.17 | Multiplane Block Erase (ONFI 1.0 Protocol)                                  | 53 |
| Figure 6.18 | Copy Back Read with Optional Data Readout                                   | 54 |
| Figure 6.19 | Copy Back Program with Random Data Input                                    | 54 |
| Figure 6.20 | Multiplane Copy Back Program  | 55 |
| Figure 6.21 | Multiplane Copy Back Program (ONFI 1.0 Protocol)                            | 56 |
| Figure 6.22 | Read Status Cycle   | 56 |
| Figure 6.23 | Read Status Enhanced Timing   | 57 |
| Figure 6.24 | Reset Operation Timing  | 57 |
| Figure 6.25 | Read Cache Operation Timing   | 58 |
| Figure 6.26 | “Sequential” Read Cache Timing, Start (and Continuation) of Cache Operation | 58 |
| Figure 6.27 | “Random” Read Cache Timing, Start (and Continuation) of Cache Operation     | 59 |
| Figure 6.28 | Read Cache Timing, End Of Cache Operation                                   | 59 |
| Figure 6.29 | Cache Program   | 60 |
| Figure 6.30 | Multiplane Cache Program  | 61 |
| Figure 6.31 | Multiplane Cache Program (ONFI 1.0 Protocol)                                | 62 |
| Figure 6.32 | Read ID Operation Timing  | 63 |
| Figure 6.33 | Read ID2 Operation Timing   | 63 |
| Figure 6.34 | ONFI Signature Timing   | 64 |
| Figure 6.35 | Read Parameter Page Timing  | 64 |
| Figure 6.36 | Read Unique ID Timing   | 65 |
| Figure 6.37 | OTP Entry Timing  | 65 |
| Figure 6.38 | Power On and Data Protection Timing   | 66 |
| Figure 6.39 | Program Enabling / Disabling Through WP# Handling                           | 66 |
| Figure 6.40 | Erase Enabling / Disabling Through WP# Handling                             | 66 |

|            |   |    |
|------------|---|----|
| Figure 7.1 | TS/TSR 48 — 48-lead Plastic Thin Small Outline, 12 x 20 mm, Package Outline . . . . . | 67 |
| Figure 7.2 | VBM063 — 63-Pin BGA, 11 mm x 9 mm Package . . . . .                                   | 68 |
| Figure 7.3 | VBT067 — 67-Ball BGA, 8 x 6.5 mm Package . . . . .                                    | 69 |
| Figure 8.1 | Program Operation with CE# Don't Care . . . . .                                       | 70 |
| Figure 8.2 | Read Operation with CE# Don't Care . . . . .  | 70 |
| Figure 8.3 | Page Programming Within a Block . . . . .   | 71 |
| Figure 9.1 | Bad Block Replacement. . . . .  | 72 |
| Figure 9.2 | Bad Block Management Flowchart . . . . .  | 73 |

## Tables

|            |  |    |
|------------|--|----|
| Table 1.1  | Signal Names . . . . .   | 10 |
| Table 1.2  | Pin Description . . . . .                                      | 13 |
| Table 1.3  | Address Cycle Map — 1 Gb Device . . . . .                      | 17 |
| Table 1.4  | Address Cycle Map — 2 Gb Device . . . . .                      | 18 |
| Table 1.5  | Address Cycle Map — 4 Gb Device . . . . .                      | 19 |
| Table 1.6  | Mode Selection . . . . .                                       | 20 |
| Table 3.1  | Command Set . . . . .  | 22 |
| Table 3.2  | Status Register Coding . . . . .                               | 29 |
| Table 3.3  | Read ID for Supported Configurations . . . . .                 | 32 |
| Table 3.4  | Read ID Bytes . . . . .  | 32 |
| Table 3.5  | Read ID Byte 3 Description . . . . .                           | 32 |
| Table 3.6  | Read ID Byte 4 Description — S34ML01G2 . . . . .               | 33 |
| Table 3.7  | Read ID Byte 4 Description — S34ML02G2 and S34ML04G2 . . . . . | 33 |
| Table 3.8  | Read ID Byte 5 Description — S34ML02G2 and S34ML04G2 . . . . . | 34 |
| Table 3.9  | Parameter Page Description . . . . .                           | 35 |
| Table 3.10 | Unique ID Data Description (Contact Factory) . . . . .         | 37 |
| Table 5.1  | Valid Blocks . . . . .   | 41 |
| Table 5.2  | Absolute Maximum Ratings . . . . .                             | 41 |
| Table 5.3  | AC Test Conditions . . . . .                                   | 41 |
| Table 5.4  | AC Characteristics . . . . .                                   | 42 |
| Table 5.5  | DC Characteristics and Operating Conditions . . . . .          | 43 |
| Table 5.6  | Pin Capacitance (TA = 25°C, f=1.0 MHz) . . . . .               | 43 |
| Table 5.7  | Program / Erase Characteristics . . . . .                      | 44 |
| Table 9.1  | Block Failure . . . . .  | 72 |



## 1. General Description

The Spansion S34ML01G2, S34ML02G2, and S34ML04G2 series is offered in 3.3 V<sub>CC</sub> and V<sub>CCQ</sub> power supply, and with x8 or x16 I/O interface. Its NAND cell provides the most cost-effective solution for the solid state mass storage market. The memory is divided into blocks that can be erased independently so it is possible to preserve valid data while old data is erased. The page size for x8 is (2048 + spare) bytes; for x16 (1024 + spare) words.

To extend the lifetime of NAND flash devices, the implementation of an ECC is mandatory.

The chip supports CE# don't care function. This function allows the direct download of the code from the NAND flash memory device by a microcontroller, since the CE# transitions do not stop the read operation.

The devices have a Read Cache feature that improves the read throughput for large files. During cache reading, the devices load the data in a cache register while the previous data is transferred to the I/O buffers to be read.

Like all other 2-kB page NAND flash devices, a program operation typically writes 2 kbytes (x8) or 1 kword (x16) in 300  $\mu$ s and an erase operation can typically be performed in 3 ms (S34ML01G2) on a 128-kB block (x8) or 64k-word block (x16). In addition, thanks to multiplane architecture, it is possible to program two pages at a time (one per plane) or to erase two blocks at a time (again, one per plane). The multiplane architecture allows program time to be reduced by 40% and erase time to be reduced by 50%.

In multiplane operations, data in the page can be read out at 25 ns cycle time per byte. The I/O pins serve as the ports for command and address input as well as data input/output. This interface allows a reduced pin count and easy migration towards different densities, without any rearrangement of the footprint.

Commands, Data, and Addresses are asynchronously introduced using CE#, WE#, ALE, and CLE control pins.

The on-chip Program/Erase Controller automates all read, program, and erase functions including pulse repetition, where required, and internal verification and margining of data. A WP# pin is available to provide hardware protection against program and erase operations.

The output pin R/B# (open drain buffer) signals the status of the device during each operation. It identifies if the program/erase/read controller is currently active. The use of an open-drain output allows the Ready/Busy pins from several memories to connect to a single pull-up resistor. In a system with multiple memories the R/B# pins can be connected all together to provide a global status signal.

The Reprogram function allows the optimization of defective block management — when a Page Program operation fails the data can be directly programmed in another page inside the same array section without the time consuming serial data insertion phase.

Multiplane Copy Back is also supported. Data read out after Copy Back Read (both for single and multiplane cases) is allowed.

In addition, Cache Program and Multiplane Cache Program operations improve the programming throughput by programming data using the cache register.

The devices provide two innovative features: Page Reprogram and Multiplane Page Reprogram. The Page Reprogram re-programs one page. Normally, this operation is performed after a failed Page Program operation. Similarly, the Multiplane Page Reprogram re-programs two pages in parallel, one per plane. The first page must be in the first plane while the second page must be in the second plane. The Multiplane Page Reprogram operation is performed after a failed Multiplane Page Program operation. The Page Reprogram and Multiplane Page Reprogram guarantee improved performance, since data insertion can be omitted during re-program operations.

The devices are available in the TSOP48 (12 x 20 mm) package and come with the following security features:

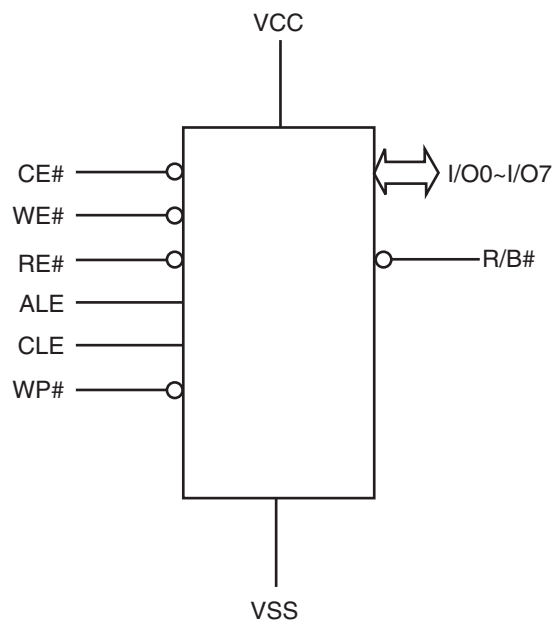
- OTP (one time programmable) area, which is a restricted access area where sensitive data/code can be stored permanently.
- Serial number (unique identifier), which allows the devices to be uniquely identified. Contact factory for support of this feature.

These security features are subject to an NDA (non-disclosure agreement) and are, therefore, not described in the data sheet. For more details about them, contact your nearest Spansion sales office.

| Device    | Density (bits)        |                     | Number of Planes | Number of Blocks per Plane |
|-----------|-----------------------|---------------------|------------------|----------------------------|
|           | Main                  | Spare               |                  |                            |
| S34ML01G2 | 128M x 8<br>64M x 16  | 4M x 8<br>2M x 16   | 1                | 1024                       |
| S34ML02G2 | 256M x 8<br>128M x 16 | 16M x 8<br>8M x 16  | 2                | 1024                       |
| S34ML04G2 | 512M x 8<br>256M x 16 | 32M x 8<br>16M x 16 | 2                | 2048                       |

## 1.1 Logic Diagram

**Figure 1.1** Logic Diagram

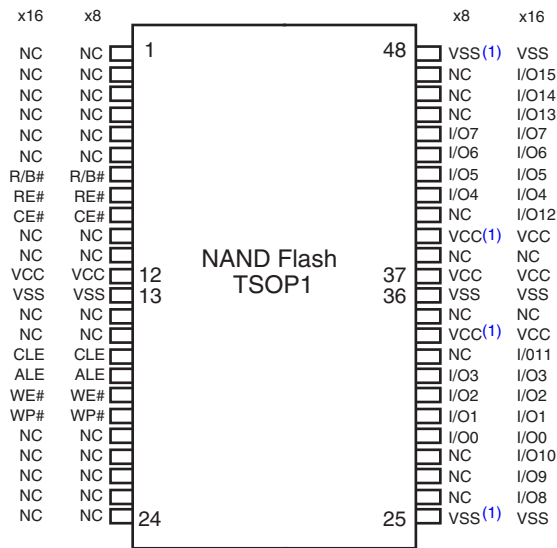


**Table 1.1** Signal Names

| I/O7 - I/O0 (x8)   | Data Input / Outputs |
|--------------------|----------------------|
| I/O8 - I/O15 (x16) |                      |
| CLE                | Command Latch Enable |
| ALE                | Address Latch Enable |
| CE#                | Chip Enable          |
| RE#                | Read Enable          |
| WE#                | Write Enable         |
| WP#                | Write Protect        |
| R/B#               | Read/Busy            |
| VCC                | Power Supply         |
| VSS                | Ground               |
| NC                 | Not Connected        |

## 1.2 Connection Diagram

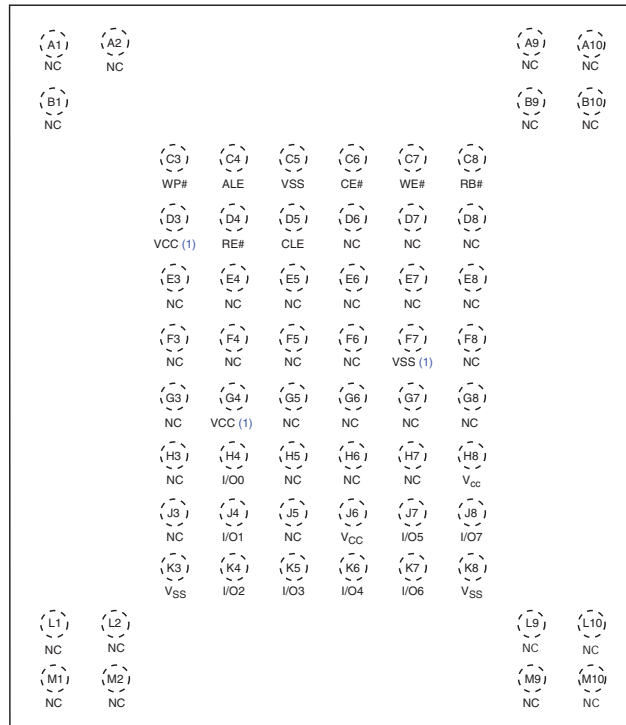
Figure 1.2 48-Pin TSOP1 Contact x8, x16 Device



**Note:**

1. These pins should be connected to power supply or ground (as designated) following the ONFI specification, however they might not be bonded internally.

Figure 1.3 63-BGA Contact, x8 Device (Balls Down, Top View)



**Note:**

1. These pins should be connected to power supply or ground (as designated) following the ONFI specification, however they might not be bonded internally.

Figure 1.4 63-BGA Contact, x16 Device (Balls Down, Top View)

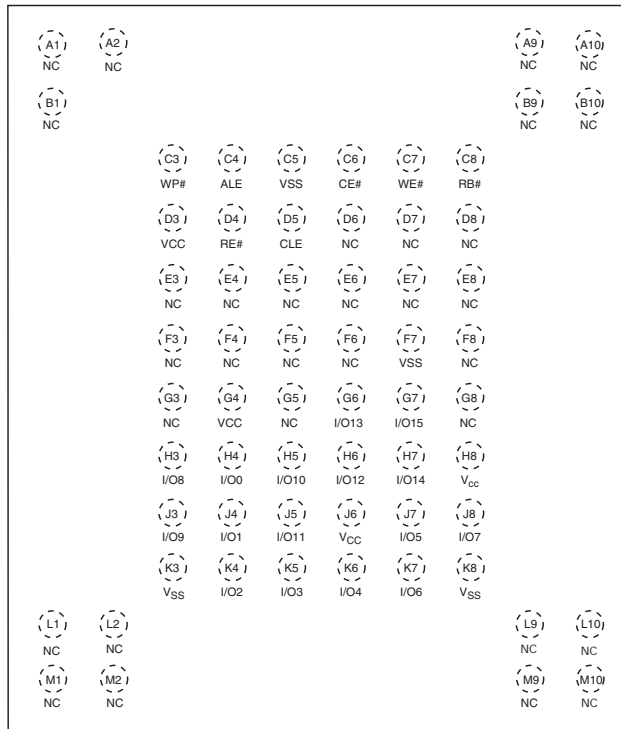
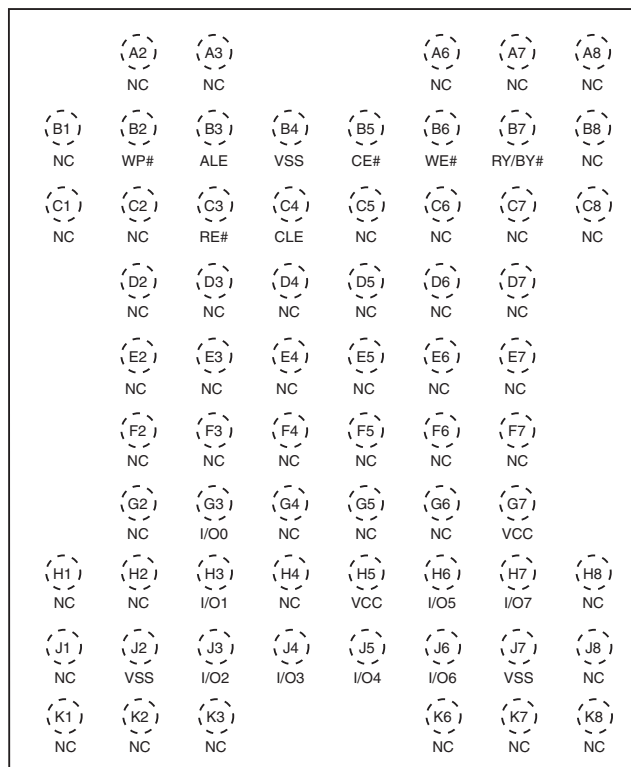


Figure 1.5 67-BGA Contact (Balls Down, Top View)



## 1.3 Pin Description

**Table 1.2** Pin Description

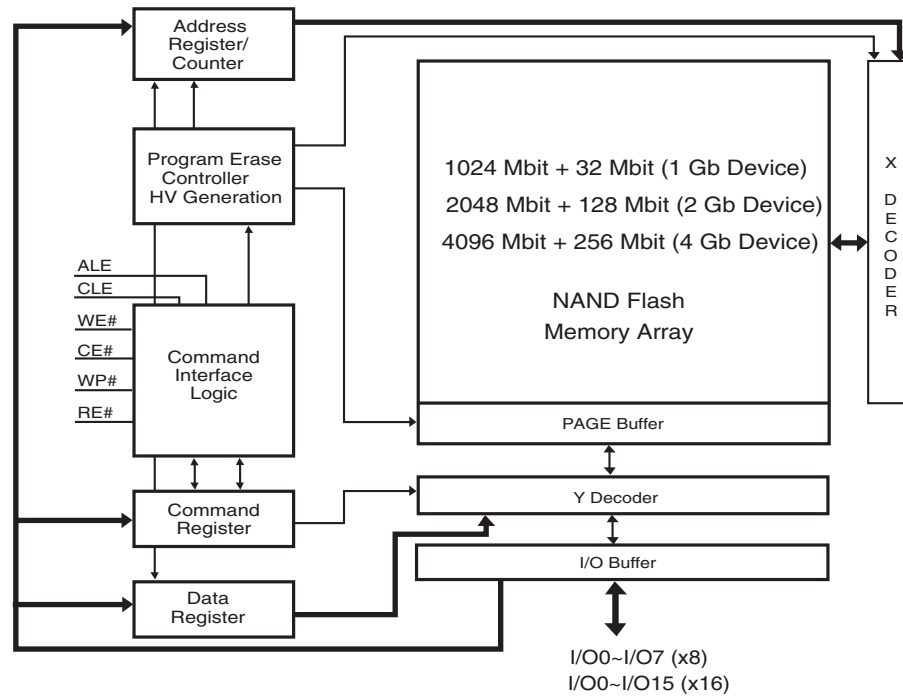
| Pin Name           | Description   |
|--------------------|---|
| I/O0 - I/O7 (x8)   | <b>Inputs/Outputs.</b> The I/O pins are used for command input, address input, data input, and data output. The I/O pins float to High-Z when the device is deselected or the outputs are disabled.   |
| I/O8 - I/O15 (x16) |   |
| CLE                | <b>Command Latch Enable.</b> This input activates the latching of the I/O inputs inside the Command Register on the rising edge of Write Enable (WE#).  |
| ALE                | <b>Address Latch Enable.</b> This input activates the latching of the I/O inputs inside the Address Register on the rising edge of Write Enable (WE#).  |
| CE#                | <b>Chip Enable.</b> This input controls the selection of the device. When the device is not busy CE# low selects the memory.  |
| WE#                | <b>Write Enable.</b> This input latches Command, Address and Data. The I/O inputs are latched on the rising edge of WE#.  |
| RE#                | <b>Read Enable.</b> The RE# input is the serial data-out control, and when active drives the data onto the I/O bus. Data is valid $t_{REA}$ after the falling edge of RE# which also increments the internal column address counter by one. |
| WP#                | <b>Write Protect.</b> The WP# pin, when low, provides hardware protection against undesired data modification (program / erase).  |
| R/B#               | <b>Ready Busy.</b> The Ready/Busy output is an Open Drain pin that signals the state of the memory.   |
| VCC                | <b>Supply Voltage.</b> The $V_{CC}$ supplies the power for all the operations (Read, Program, Erase). An internal lock circuit prevents the insertion of Commands when $V_{CC}$ is less than $V_{LKO}$ .                                    |
| VSS                | <b>Ground.</b>  |
| NC                 | <b>Not Connected.</b>   |

**Notes:**

1. A 0.1  $\mu$ F capacitor should be connected between the  $V_{CC}$  Supply Voltage pin and the  $V_{SS}$  Ground pin to decouple the current surges from the power supply. The PCB track widths must be sufficient to carry the currents required during program and erase operations.
2. An internal voltage detector disables all functions whenever  $V_{CC}$  is below 1.8V to protect the device from any involuntary program/erase during power transitions.

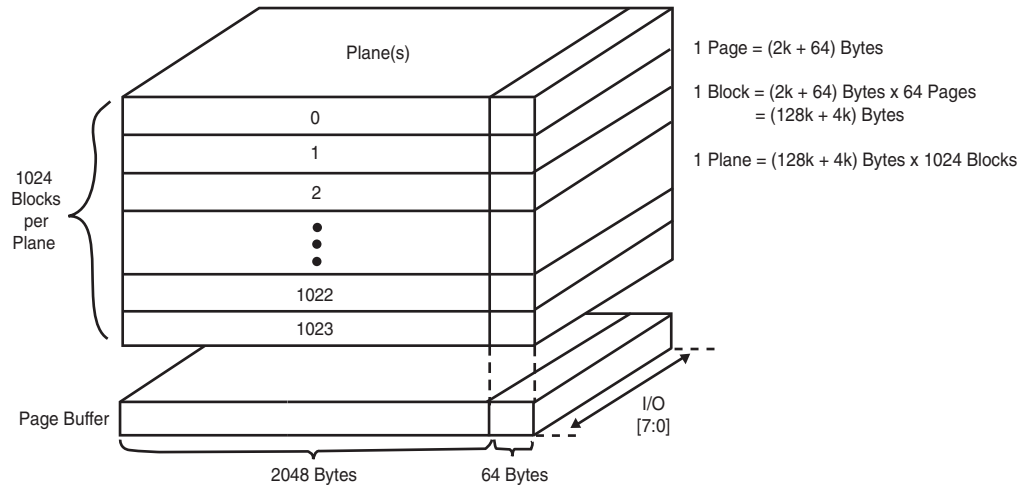
### 1.4 Block Diagram

Figure 1.6 Functional Block Diagram



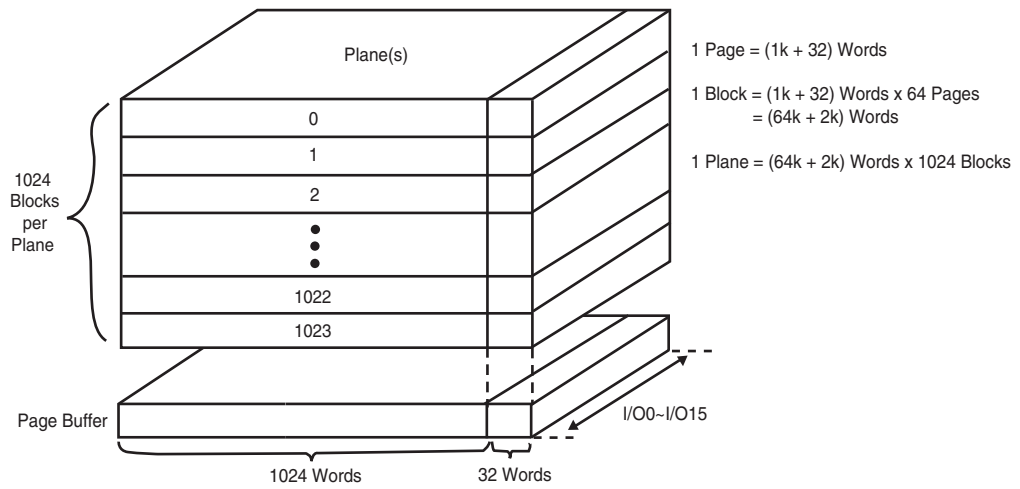
## 1.5 Array Organization

**Figure 1.7** Array Organization — S34ML01G2 (x8)



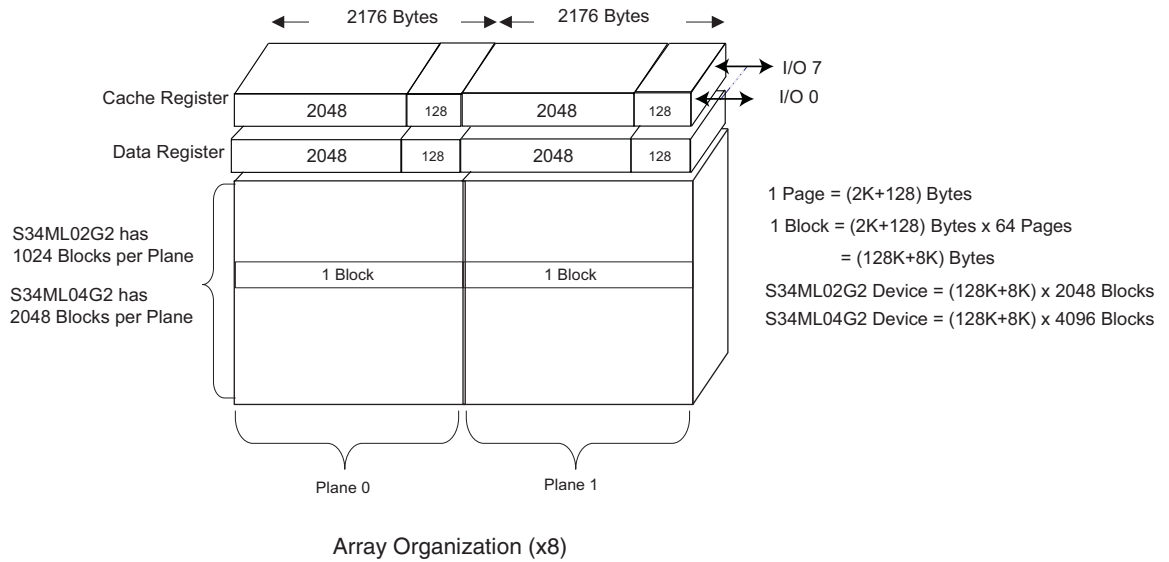
Array Organization (x8)

**Figure 1.8** Array Organization — S34ML01G2 (x16)

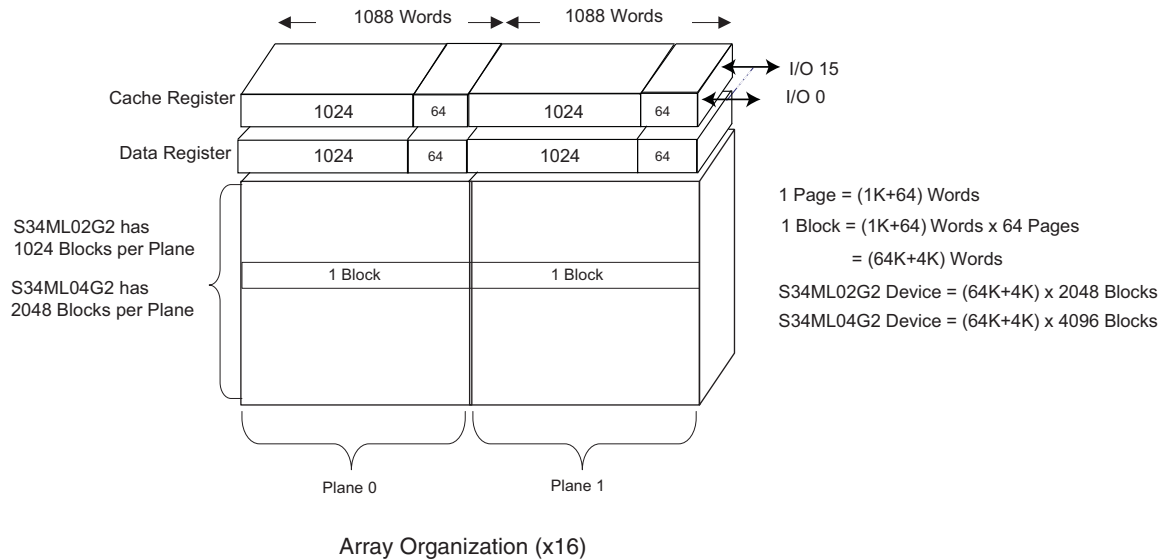


Array Organization (x16)

**Figure 1.9** Array Organization — S34ML02G2 and S34ML04G2 (x8)



**Figure 1.10** Array Organization — S34ML02G2 and S34ML04G2 (x16)





## 1.6 Addressing

### 1.6.1 S34ML01G2

**Table 1.3** Address Cycle Map — 1 Gb Device

| Bus Cycle         | I/O [15:8] (5) | I/O0      | I/O1      | I/O2       | I/O3       | I/O4      | I/O5      | I/O6      | I/O7      |
|-------------------|----------------|-----------|-----------|------------|------------|-----------|-----------|-----------|-----------|
| <b>x8</b>         |                |           |           |            |            |           |           |           |           |
| 1st / Col. Add. 1 | —              | A0 (CA0)  | A1 (CA1)  | A2 (CA2)   | A3 (CA3)   | A4 (CA4)  | A5 (CA5)  | A6 (CA6)  | A7 (CA7)  |
| 2nd / Col. Add. 2 | —              | A8 (CA8)  | A9 (CA9)  | A10 (CA10) | A11 (CA11) | Low       | Low       | Low       | Low       |
| 3rd / Row Add. 1  | —              | A12 (PA0) | A13 (PA1) | A14 (PA2)  | A15 (PA3)  | A16 (PA4) | A17 (PA5) | A18 (BA0) | A19 (BA1) |
| 4th / Row Add. 2  | —              | A20 (BA2) | A21 (BA3) | A22 (BA4)  | A23 (BA5)  | A24 (BA6) | A25 (BA7) | A26 (BA8) | A27 (BA9) |
| <b>x16</b>        |                |           |           |            |            |           |           |           |           |
| 1st / Col. Add. 1 | Low            | A0 (CA0)  | A1 (CA1)  | A2 (CA2)   | A3 (CA3)   | A4 (CA4)  | A5 (CA5)  | A6 (CA6)  | A7 (CA7)  |
| 2nd / Col. Add. 2 | Low            | A8 (CA8)  | A9 (CA9)  | A10 (CA10) | Low        | Low       | Low       | Low       | Low       |
| 3rd / Row Add. 1  | Low            | A11 (PA0) | A12 (PA1) | A13 (PA2)  | A14 (PA3)  | A15 (PA4) | A16 (PA5) | A17 (BA0) | A18 (BA1) |
| 4th / Row Add. 2  | Low            | A19 (BA2) | A20 (BA3) | A21 (BA4)  | A22 (BA5)  | A23 (BA6) | A24 (BA7) | A25 (BA8) | A26 (BA9) |

**Notes:**

1. CAx = Column Address bit.
2. PAx = Page Address bit.
3. BAx = Block Address bit.
4. Block address concatenated with page address = actual page address, also known as the row address.
5. I/O[15:8] are not used during the addressing sequence and should be driven Low.

For the x8 address bits, the following rules apply:

- A0 - A11: column address in the page
- A12 - A17: page address in the block
- A18 - A27: block address

For the x16 address bits, the following rules apply:

- A0 - A10: column address in the page
- A11 - A16: page address in the block
- A17 - A26: block address

## 1.6.2 S34ML02G2

**Table 1.4** Address Cycle Map — 2 Gb Device

| Bus Cycle         | I/O [15:8] (6) | I/O0      | I/O1      | I/O2       | I/O3       | I/O4      | I/O5      | I/O6       | I/O7      |
|-------------------|----------------|-----------|-----------|------------|------------|-----------|-----------|------------|-----------|
| <b>x8</b>         |                |           |           |            |            |           |           |            |           |
| 1st / Col. Add. 1 | —              | A0 (CA0)  | A1 (CA1)  | A2 (CA2)   | A3 (CA3)   | A4 (CA4)  | A5 (CA5)  | A6 (CA6)   | A7 (CA7)  |
| 2nd / Col. Add. 2 | —              | A8 (CA8)  | A9 (CA9)  | A10 (CA10) | A11 (CA11) | Low       | Low       | Low        | Low       |
| 3rd / Row Add. 1  | —              | A12 (PA0) | A13 (PA1) | A14 (PA2)  | A15 (PA3)  | A16 (PA4) | A17 (PA5) | A18 (PLA0) | A19 (BA0) |
| 4th / Row Add. 2  | —              | A20 (BA1) | A21 (BA2) | A22 (BA3)  | A23 (BA4)  | A24 (BA5) | A25 (BA6) | A26 (BA7)  | A27 (BA8) |
| 5th / Row Add. 3  | —              | A28 (BA9) | Low       | Low        | Low        | Low       | Low       | Low        | Low       |
| <b>x16</b>        |                |           |           |            |            |           |           |            |           |
| 1st / Col. Add. 1 | Low            | A0 (CA0)  | A1 (CA1)  | A2 (CA2)   | A3 (CA3)   | A4 (CA4)  | A5 (CA5)  | A6 (CA6)   | A7 (CA7)  |
| 2nd / Col. Add. 2 | Low            | A8 (CA8)  | A9 (CA9)  | A10 (CA10) | Low        | Low       | Low       | Low        | Low       |
| 3rd / Row Add. 1  | Low            | A11 (PA0) | A12 (PA1) | A13 (PA2)  | A14 (PA3)  | A15 (PA4) | A16 (PA5) | A17 (PLA0) | A18 (BA0) |
| 4th / Row Add. 2  | Low            | A19 (BA1) | A20 (BA2) | A21 (BA3)  | A22 (BA4)  | A23 (BA5) | A24 (BA6) | A25 (BA7)  | A26 (BA8) |
| 5th / Row Add. 3  | Low            | A27 (BA9) | Low       | Low        | Low        | Low       | Low       | Low        | Low       |

**Notes:**

1. CAx = Column Address bit.
2. PAx = Page Address bit.
3. PLA0 = Plane Address bit zero.
4. BAx = Block Address bit.
5. Block address concatenated with page address and plane address = actual page address, also known as the row address.
6. I/O[15:8] are not used during the addressing sequence and should be driven Low.

For the x8 address bits, the following rules apply:

- A0 - A11: column address in the page
- A12 - A17: page address in the block
- A18: plane address (for multiplane operations) / block address (for normal operations)
- A19 - A28: block address

For the x16 address bits, the following rules apply:

- A0 - A10: column address in the page
- A11 - A16: page address in the block
- A17: plane address (for multiplane operations) / block address (for normal operations)
- A18 - A27: block address

## 1.6.3 S34ML04G2

Table 1.5 Address Cycle Map — 4 Gb Device

| Bus Cycle         | I/O [15:8] (6) | I/O0      | I/O1       | I/O2       | I/O3       | I/O4      | I/O5      | I/O6       | I/O7      |
|-------------------|----------------|-----------|------------|------------|------------|-----------|-----------|------------|-----------|
| <b>x8</b>         |                |           |            |            |            |           |           |            |           |
| 1st / Col. Add. 1 | —              | A0 (CA0)  | A1 (CA1)   | A2 (CA2)   | A3 (CA3)   | A4 (CA4)  | A5 (CA5)  | A6 (CA6)   | A7 (CA7)  |
| 2nd / Col. Add. 2 | —              | A8 (CA8)  | A9 (CA9)   | A10 (CA10) | A11 (CA11) | Low       | Low       | Low        | Low       |
| 3rd / Row Add. 1  | —              | A12 (PA0) | A13 (PA1)  | A14 (PA2)  | A15 (PA3)  | A16 (PA4) | A17 (PA5) | A18 (PLA0) | A19 (BA0) |
| 4th / Row Add. 2  | —              | A20 (BA1) | A21 (BA2)  | A22 (BA3)  | A23 (BA4)  | A24 (BA5) | A25 (BA6) | A26 (BA7)  | A27 (BA8) |
| 5th / Row Add. 3  | —              | A28 (BA9) | A29 (BA10) | Low        | Low        | Low       | Low       | Low        | Low       |
| <b>x16</b>        |                |           |            |            |            |           |           |            |           |
| 1st / Col. Add. 1 | Low            | A0 (CA0)  | A1 (CA1)   | A2 (CA2)   | A3 (CA3)   | A4 (CA4)  | A5 (CA5)  | A6 (CA6)   | A7 (CA7)  |
| 2nd / Col. Add. 2 | Low            | A8 (CA8)  | A9 (CA9)   | A10 (CA10) | Low        | Low       | Low       | Low        | Low       |
| 3rd / Row Add. 1  | Low            | A11 (PA0) | A12 (PA1)  | A13 (PA2)  | A14 (PA3)  | A15 (PA4) | A16 (PA5) | A17 (PLA0) | A18 (BA0) |
| 4th / Row Add. 2  | Low            | A19 (BA1) | A20 (BA2)  | A21 (BA3)  | A22 (BA4)  | A23 (BA5) | A24 (BA6) | A25 (BA7)  | A26 (BA8) |
| 5th / Row Add. 3  | Low            | A27 (BA9) | A28 (BA10) | Low        | Low        | Low       | Low       | Low        | Low       |

**Notes:**

1. CAx = Column Address bit.
2. PAx = Page Address bit.
3. PLA0 = Plane Address bit zero.
4. BAx = Block Address bit.
5. Block address concatenated with page address and plane address = actual page address, also known as the row address.
6. I/O[15:8] are not used during the addressing sequence and should be driven Low.

For the x8 address bits, the following rules apply:

- A0 - A11: column address in the page
- A12 - A17: page address in the block
- A18: plane address (for multiplane operations) / block address (for normal operations)
- A19 - A29: block address

For the x16 address bits, the following rules apply:

- A0 - A10: column address in the page
- A11 - A16: page address in the block
- A17: plane address (for multiplane operations) / block address (for normal operations)
- A18 - A28: block address

## 1.7 Mode Selection

Table 1.6 Mode Selection

| Mode                    |               | CLE  | ALE  | CE#  | WE#    | RE#      | WP#                      |
|-------------------------|---------------|------|------|------|--------|----------|--------------------------|
| Read Mode               | Command Input | High | Low  | Low  | Rising | High     | X                        |
|                         | Address Input | Low  | High | Low  | Rising | High     | X                        |
| Program or Erase Mode   | Command Input | High | Low  | Low  | Rising | High     | High                     |
|                         | Address Input | Low  | High | Low  | Rising | High     | High                     |
| Data Input              |               | Low  | Low  | Low  | Rising | High     | High                     |
| Data Output (on going)  |               | Low  | Low  | Low  | High   | Falling  | X                        |
| Data Output (suspended) |               | X    | X    | X    | High   | High     | X                        |
| Busy Time in Read       |               | X    | X    | X    | High   | High (3) | X                        |
| Busy Time in Program    |               | X    | X    | X    | X      | X        | High                     |
| Busy Time in Erase      |               | X    | X    | X    | X      | X        | High                     |
| Write Protect           |               | X    | X    | X    | X      | X        | Low                      |
| Stand By                |               | X    | X    | High | X      | X        | 0V / V <sub>CC</sub> (2) |

**Notes:**

1. X can be V<sub>IL</sub> or V<sub>IH</sub>. High = Logic level high, Low = Logic level low.
2. WP# should be biased to CMOS high or CMOS low for stand-by mode.
3. During Busy Time in Read, RE# must be held high to prevent unintended data out.

## 2. Bus Operation

There are six standard bus operations that control the device: Command Input, Address Input, Data Input, Data Output, Write Protect, and Standby. (See Table 1.6.)

Typically glitches less than 5 ns on Chip Enable, Write Enable, and Read Enable are ignored by the memory and do not affect bus operations.

### 2.1 Command Input

The Command Input bus operation is used to give a command to the memory device. Commands are accepted with Chip Enable low, Command Latch Enable high, Address Latch Enable low, and Read Enable high and latched on the rising edge of Write Enable. Moreover, for commands that start a modify operation (program/erase) the Write Protect pin must be high. See Figure 6.1 on page 45 and Table 5.4 on page 42 for details of the timing requirements. Command codes are always applied on I/O7:0 regardless of the bus configuration (x8 or x16).

### 2.2 Address Input

The Address Input bus operation allows the insertion of the memory address. For the S34ML02G2 and S34ML04G2 devices, five write cycles are needed to input the addresses. For the S34ML01G2, four write cycles are needed to input the addresses. If necessary, a 5th dummy address cycle can be issued to S34ML01G2, which will be ignored by the NAND device without causing problems. Addresses are accepted with Chip Enable low, Address Latch Enable high, Command Latch Enable low, and Read Enable high and latched on the rising edge of Write Enable. Moreover, for commands that start a modify operation (program/erase) the Write Protect pin must be high. See Figure 6.2 on page 46 and Table 5.4 on page 42 for details of the timing requirements. Addresses are always applied on I/O7:0 regardless of the bus configuration (x8 or x16). Refer to Table 1.3 through Table 1.5 on page 19 for more detailed information.

## 2.3 Data Input

The Data Input bus operation allows the data to be programmed to be sent to the device. The data insertion is serial and timed by the Write Enable cycles. Data is accepted only with Chip Enable low, Address Latch Enable low, Command Latch Enable low, Read Enable high, and Write Protect high and latched on the rising edge of Write Enable. See [Figure 6.3 on page 46](#) and [Table 5.4 on page 42](#) for details of the timing requirements.

## 2.4 Data Output

The Data Output bus operation allows data to be read from the memory array and to check the Status Register content, and the ID data. Data can be serially shifted out by toggling the Read Enable pin with Chip Enable low, Write Enable high, Address Latch Enable low, and Command Latch Enable low. See [Figure 6.4 on page 47](#) and [Table 5.4 on page 42](#) for details of the timings requirements.

## 2.5 Write Protect

The Hardware Write Protection is activated when the Write Protect pin is low. In this condition, modify operations do not start and the content of the memory is not altered. The Write Protect pin is not latched by Write Enable to ensure the protection even during power up.

## 2.6 Standby

In Standby, the device is deselected, outputs are disabled, and power consumption is reduced.

### 3. Command Set

Table 3.1 Command Set

| Command  | 1st Cycle       | 2nd Cycle | 3rd Cycle | 4th Cycle | Acceptable Command during Busy | Supported on S34ML01G2 |
|--|-----------------|-----------|-----------|-----------|--------------------------------|------------------------|
| Page Read                                      | 00h             | 30h       |           |           | No                             | Yes                    |
| Page Program                                   | 80h             | 10h       |           |           | No                             | Yes                    |
| Random Data Input                              | 85h             |           |           |           | No                             | Yes                    |
| Random Data Output                             | 05h             | E0h       |           |           | No                             | Yes                    |
| Multiplane Program                             | 80h             | 11h       | 81h       | 10h       | No                             | No                     |
| ONFI Multiplane Program                        | 80h             | 11h       | 80h       | 10h       | No                             | No                     |
| Page Reprogram                                 | 8Bh             | 10h       |           |           | No                             | Yes                    |
| Multiplane Page Reprogram                      | 8Bh             | 11h       | 8Bh       | 10h       | No                             | No                     |
| Block Erase                                    | 60h             | D0h       |           |           | No                             | Yes                    |
| Multiplane Block Erase                         | 60h             | 60h       | D0h       |           | No                             | No                     |
| ONFI Multiplane Block Erase                    | 60h             | D1h       | 60h       | D0h       | No                             | No                     |
| Copy Back Read                                 | 00h             | 35h       |           |           | No                             | Yes                    |
| Copy Back Program                              | 85h             | 10h       |           |           | No                             | Yes                    |
| Multiplane Copy Back Program                   | 85h             | 11h       | 81h       | 10h       | No                             | No                     |
| ONFI Multiplane Copy Back Program              | 85h             | 11h       | 85h       | 10h       | No                             | No                     |
| Special Read For Copy Back                     | 00h             | 36h       |           |           | No                             | No                     |
| Read Status Register                           | 70h             |           |           |           | Yes                            | Yes                    |
| Read Status Enhanced                           | 78h             |           |           |           | Yes                            | No                     |
| Reset  | FFh             |           |           |           | Yes                            | Yes                    |
| Read Cache                                     | 31h             |           |           |           | No                             | Yes                    |
| Read Cache Enhanced                            | 00h             | 31h       |           |           | No                             | Yes                    |
| Read Cache End                                 | 3Fh             |           |           |           | No                             | Yes                    |
| Cache Program (End)                            | 80h             | 10h       |           |           | No                             | Yes                    |
| Cache Program (Start) / (Continue)             | 80h             | 15h       |           |           | No                             | Yes                    |
| Multiplane Cache Program (Start/Continue)      | 80h             | 11h       | 81h       | 15h       | No                             | No                     |
| ONFI Multiplane Cache Program (Start/Continue) | 80h             | 11h       | 80h       | 15h       | No                             | No                     |
| Multiplane Cache Program (End)                 | 80h             | 11h       | 81h       | 10h       | No                             | No                     |
| ONFI Multiplane Cache Program (End)            | 80h             | 11h       | 80h       | 10h       | No                             | No                     |
| Read ID  | 90h             |           |           |           | No                             | Yes                    |
| Read ID2                                       | 30h-65h-00h     | 30h       |           |           | No                             | Yes                    |
| Read ONFI Signature                            | 90h             |           |           |           | No                             | Yes                    |
| Read Parameter Page                            | ECh             |           |           |           | No                             | Yes                    |
| Read Unique ID (Contact Factory)               | EDh             |           |           |           | No                             | Yes                    |
| One-time Programmable (OTP) Area Entry         | 29h-17h-04h-19h |           |           |           | No                             | Yes                    |

### 3.1 Page Read

Page Read is initiated by writing 00h and 30h to the command register along with five address cycles (four or five cycles for S34ML01G2). Two types of operations are available: random read and serial page read. Random read mode is enabled when the page address is changed. All data within the selected page are transferred to the data registers. The system controller may detect the completion of this data transfer ( $t_R$ ) by analyzing the output of the R/B pin. Once the data in a page is loaded into the data registers, they may be read out in 25 ns cycle time by sequentially pulsing RE#. The repetitive high to low transitions of the RE# signal makes the device output the data, starting from the selected column address up to the last column address.

The device may output random data in a page instead of the sequential data by writing Random Data Output command. The column address of next data, which is going to be out, may be changed to the address that follows Random Data Output command. Random Data Output can be performed as many times as needed.

After power up, the device is in read mode, so 00h command cycle is not necessary to start a read operation. Any operation other than read or Random Data Output causes the device to exit read mode.

See [Figure 6.6 on page 48](#) and [Figure 6.12 on page 51](#) as references.

### 3.2 Page Program

A page program cycle consists of a serial data loading period in which up to 2 kbytes (x8) or 1 kword (x16) of data may be loaded into the data register, followed by a non-volatile programming period where the loaded data is programmed into the appropriate cell.

The serial data loading period begins by inputting the Serial Data Input command (80h), followed by the five cycle address inputs (four cycles for S34ML01G2) and then serial data. The words other than those to be programmed do not need to be loaded. The device supports Random Data Input within a page. The column address of next data, which will be entered, may be changed to the address that follows the Random Data Input command (85h). Random Data Input may be performed as many times as needed.

The Page Program confirm command (10h) initiates the programming process. The internal write state controller automatically executes the algorithms and controls timings necessary for program and verify, thereby freeing the system controller for other tasks.

Once the program process starts, the Read Status Register commands (70h or 78h) may be issued to read the Status Register. The system controller can detect the completion of a program cycle by monitoring the R/B# output, or the Status bit (I/O6) of the Status Register. Only the Read Status commands (70h or 78h) or Reset command are valid while programming is in progress. When the Page Program is complete, the Write Status Bit (I/O0) may be checked. The internal write verify detects only errors for 1's that are not successfully programmed to 0's. The command register remains in Read Status command mode until another valid command is written to the command register. [Figure 6.9 on page 49](#) and [Figure 6.11 on page 50](#) detail the sequence.

The device is programmable by page, but it also allows multiple partial page programming of a word or consecutive bytes up to 2 kbytes (x8) or 1 kword (x16) in a single page program cycle.

The number of consecutive partial page programming operations (NOP) within the same page must not exceed the number indicated in [Table 5.7 on page 44](#). Pages may be programmed in any order within a block.

If a Page Program operation is interrupted by hardware reset, power failure or other means, the host must ensure that the interrupted page is not used for further reading or programming operations until the next uninterrupted block erase is complete.

### 3.3 Multiplane Program — S34ML02G2 and S34ML04G2

The S34ML02G2 and S34ML04G2 devices support Multiplane Program, making it possible to program two pages in parallel, one page per plane.

A Multiplane Program cycle consists of a double serial data loading period in which up to 4352 bytes (x8) or 2176 words (x16) of data may be loaded into the data register, followed by a non-volatile programming period where the loaded data is programmed into the appropriate cell. The serial data loading period begins with inputting the Serial Data Input command (80h), followed by the five cycle address inputs and serial data for the 1st page. The address for this page must be in the 1st plane (PLA0 = 0). The device supports Random Data Input exactly the same as in the case of page program operation. The Dummy Page Program Confirm command (11h) stops 1st page data input and the device becomes busy for a short time ( $t_{DBSY}$ ). Once it has become ready again, the '81h' command must be issued, followed by 2nd page address (5 cycles) and its serial data input. The address for this page must be in the 2nd plane (PLA0 = 1). The Program Confirm command (10h) starts parallel programming of both pages.

[Figure 6.13 on page 51](#) describes the sequences using the legacy protocol. In this case, the block address bits for the first plane are all zero and the second address issued selects the block for both planes.

[Figure 6.14 on page 52](#) describes the sequences using the ONFI protocol. For both addresses issued in this protocol, the block address bits must be the same except for the bit(s) that select the plane.

The user can check operation status by monitoring R/B# pin or reading the Status Register (command 70h or 78h). The Read Status Register command is also available during Dummy Busy time ( $t_{DBSY}$ ). In case of failure in either page program, the fail bit of the Status Register will be set. Refer to [Section 3.8 on page 28](#) for further info.

The number of consecutive partial page programming operations (NOP) within the same page must not exceed the number indicated in [Table 5.7 on page 44](#). Pages may be programmed in any order within a block.

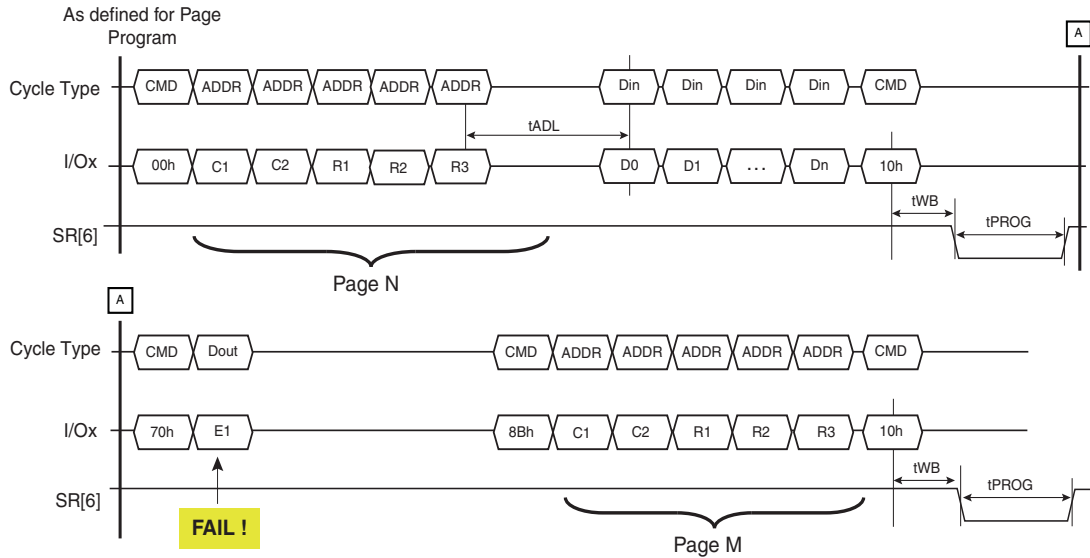
If a Multiplane Program operation is interrupted by hardware reset, power failure or other means, the host must ensure that the interrupted pages are not used for further reading or programming operations until the next uninterrupted block erases are complete for the applicable blocks.

### 3.4 Page Reprogram

Page Program may result in a fail, which can be detected by Read Status Register. In this event, the host may call Page Reprogram. This command allows the reprogramming of the same pattern of the last (failed) page into another memory location. The command sequence initiates with reprogram setup (8Bh), followed by the five cycle address inputs of the target page. If the target pattern for the destination page is not changed compared to the last page, the program confirm can be issued (10h) without any data input cycle, as described in [Figure 3.1](#).

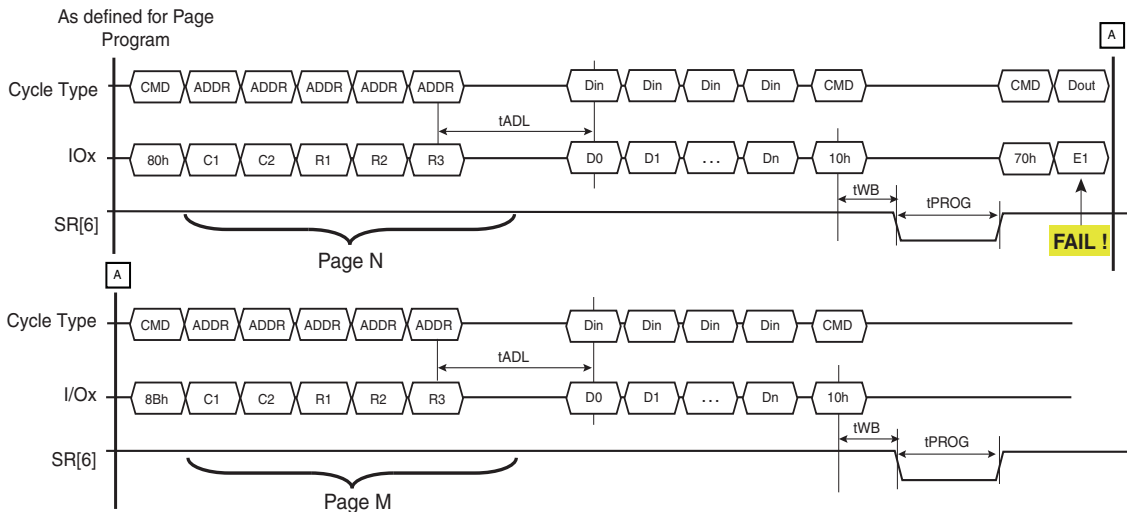


Figure 3.1 Page Reprogram



On the other hand, if the pattern bound for the target page is different from that of the previous page, data in cycles can be issued before program confirm '10h', as described in Figure 3.2.

Figure 3.2 Page Reprogram with Data Manipulation



The device supports Random Data Input within a page. The column address of next data, which will be entered, may be changed to the address which follows the Random Data Input command (85h). Random Data Input may be operated multiple times regardless of how many times it is done in a page.

The Program Confirm command (10h) initiates the re-programming process. The internal write state controller automatically executes the algorithms and controls timings necessary for program and verify, thereby freeing the system controller for other tasks. Once the program process starts, the Read Status Register command may be issued to read the Status Register. The system controller can detect the completion of a program cycle by monitoring the R/B# output, or the Status bit (I/O6) of the Status Register. Only the Read Status command and Reset command are valid when programming is in progress. When the Page Program is complete, the Write Status Bit (I/O0) may be checked. The internal write verify detects only errors for 1's that are not successfully programmed to 0's. The command register remains in Read Status command mode until another valid command is written to the command register.

The Page Reprogram must be issued in the same plane as the Page Program that failed. In order to program the data to a different plane, use the Page Program operation instead. The Multiplane Page Reprogram can re-program two pages in parallel, one per plane. The Multiplane Page Reprogram operation is performed after a failed Multiplane Page Program operation. The command sequence is very similar to [Figure 6.13, Multiplane Page Program on page 51](#), except that it requires the Page Reprogram Command (8Bh) instead of 80h and 81h.

If a Page Reprogram operation is interrupted by hardware reset, power failure or other means, the host must ensure that the interrupted page is not used for further reading or programming operations until the next uninterrupted block erase is complete.

### 3.5 Block Erase

The Block Erase operation is done on a block basis. Block address loading is accomplished in three cycles (two cycles for S34ML01G2) initiated by an Erase Setup command (60h). Only the block address bits are valid while the page address bits are ignored.

The Erase Confirm command (D0h) following the block address loading initiates the internal erasing process. This two-step sequence of setup followed by the execution command ensures that memory contents are not accidentally erased due to external noise conditions.

At the rising edge of WE# after the erase confirm command input, the internal write controller handles erase and erase verify. Once the erase process starts, the Read Status Register commands (70h or 78h) may be issued to read the Status Register.

The system controller can detect the completion of an erase by monitoring the R/B# output, or the Status bit (I/O6) of the Status Register. Only the Read Status commands (70h or 78h) and Reset command are valid while erasing is in progress. When the erase operation is completed, the Write Status Bit (I/O0) may be checked. [Figure 6.15 on page 52](#) details the sequence.

If a Block Erase operation is interrupted by hardware reset, power failure or other means, the host must ensure that the interrupted block is erased under continuous power conditions before that block can be trusted for further programming and reading operations.

### 3.6 Multiplane Block Erase — S34ML02G2 and S34ML04G2

Multiplane Block Erase allows the erase of two blocks in parallel, one block per memory plane.

The Block erase setup command (60h) must be repeated two times, followed by 1st and 2nd block address respectively (3 cycles each). As for block erase, D0h command makes embedded operation start. In this case, multiplane erase does not need any Dummy Busy Time between 1st and 2nd block insertion. See [Table 5.7 on page 44](#) for performance information.

For the Multiplane Block Erase operation, the address of the first block must be within the first plane (PLA0 = 0) and the address of the second block in the second plane (PLA0 = 1). See [Figure 6.16 on page 53](#) for a description of the legacy protocol. In this case, the block address bits for the first plane are all zero and the second address issued selects the block for both planes. [Figure 6.17 on page 53](#) describes the sequences using the ONFI protocol. For both addresses issued in this protocol, the block address bits must be the same except for the bit(s) that select the plane.

The user can check operation status by monitoring R/B# pin or reading the Status Register (command 70h or 78h). The Read Status Register command is also available during Dummy Busy time ( $t_{DBSY}$ ). In case of failure in either erase, the fail bit of the Status Register will be set. Refer to [Section 3.7.2 on page 27](#) for further information.

If a Multiplane Block Erase operation is interrupted by hardware reset, power failure or other means, the host must ensure that the interrupted blocks are erased under continuous power conditions before those blocks can be trusted for further programming and reading operations.

## 3.7 Copy Back Program

The copy back feature is intended to quickly and efficiently rewrite data stored in one page without utilizing an external memory. Since the time-consuming cycles of serial access and re-loading cycles are removed, the system performance is greatly improved. The benefit is especially obvious when a portion of a block needs to be updated and the rest of the block also needs to be copied to the newly assigned free block. The operation for performing a copy back is a sequential execution of page-read (without mandatory serial access) and Copy Back Program with the address of destination page. A read operation with the '35h' command and the address of the source page moves the whole page of data into the internal data register. As soon as the device returns to the Ready state, optional data read-out is allowed by toggling RE# (see [Figure 6.18 on page 54](#)), or the Copy Back Program command (85h) with the address cycles of the destination page may be written. The Program Confirm command (10h) is required to actually begin programming.

The source and the destination pages in the Copy Back Program sequence must belong to the same device plane (same PLA0 for S34ML02G2 and S34ML04G2). Copy Back Read and Copy Back Program for a given plane must be between odd address pages or between even address pages for the device to meet the program time ( $t_{\text{PROG}}$ ) specification. Copy Back Program may not meet this specification when copying from an odd address page (source page) to an even address page (target page) or from an even address page (source page) to an odd address page (target page).

The data input cycle for modifying a portion or multiple distinct portions of the source page is allowed as shown in [Figure 6.19 on page 54](#).

If a Copy Back Program operation is interrupted by hardware reset, power failure or other means, the host must ensure that the interrupted page is not used for further reading or programming operations until the next uninterrupted block erase is complete.

### 3.7.1 Multiplane Copy Back Program — S34ML02G2 and S34ML04G2

The device supports Multiplane Copy Back Program with exactly the same sequence and limitations as the Page Program. Multiplane Copy Back Program must be preceded by two single page Copy Back Read command sequences (1st page must be read from the 1st plane and 2nd page from the 2nd plane).

Multiplane Copy Back cannot cross plane boundaries — the contents of the source page of one device plane can be copied only to a destination page of the same plane.

The Multiplane Copy Back Program sequence represented in [Figure 6.20 on page 55](#) shows the legacy protocol. In this case, the block address bits for the first plane are all zero and the second address issued selects the block for both planes. [Figure 6.21 on page 56](#) describes the sequence using the ONFI protocol. For both addresses issued in this protocol, the block address bits must be the same except for the bit(s) that select the plane.

If a Multiplane Copy Back Program operation is interrupted by hardware reset, power failure or other means, the host must ensure that the interrupted pages are not used for further reading or programming operations until the next uninterrupted block erases are complete for the applicable blocks.

### 3.7.2 Special Read for Copy Back — S34ML02G2 and S34ML04G2

The S34ML02G2 and S34ML04G2 devices support Special Read for Copy Back. If Copy Back Read (described in [Section 3.7](#) and [Section 3.7.1 on page 27](#)) is triggered with confirm command '36h' instead '35h', Copy Back Read from target page(s) will be executed with an increased internal ( $V_{\text{PASS}}$ ) voltage.

This special feature is used in order to minimize the number of read errors due to over-program or read disturb — it shall be used only if ECC read errors have occurred in the source page using Page Read or Copy Back Read sequences.

Excluding the Copy Back Read confirm command, all other features described in [Section 3.7](#) and [Section 3.7.1](#) for standard copy back remain valid (including the figures referred to in those sections).

### 3.8 Read Status Register

The Status Register is used to retrieve the status value for the last operation issued. After writing 70h command to the command register, a read cycle outputs the content of the Status Register to the I/O pins on the falling edge of CE# or RE#, whichever occurs last. This two-line control allows the system to poll the progress of each device in multiple memory connections even when R/B# pins are common-wired. Refer to [Section 3.2 on page 29](#) for specific Status Register definition, and to [Figure 6.22 on page 56](#) for timings.

If the Read Status Register command is issued during multiplane operations then Status Register polling will return the combined status value related to the outcome of the operation in the two planes according to the following table:

| Status Register Bit    | Composite Status Value |
|------------------------|------------------------|
| Bit 0, Pass/Fail       | OR                     |
| Bit 1, Cache Pass/Fail | OR                     |

In other words, the Status Register is dynamic; the user is not required to toggle RE# / CE# to update it.

The command register remains in Status Read mode until further commands are issued. Therefore, if the Status Register is read during a random read cycle, the read command (00h) must be issued before starting read cycles.

Note: The Read Status Register command shall not be used for concurrent operations in multi-die stack configurations (single CE#). “Read Status Enhanced” shall be used instead.

### 3.9 Read Status Enhanced — S34ML02G2 and S34ML04G2

Read Status Enhanced is used to retrieve the status value for a previous operation in the specified plane.

[Figure 6.23 on page 57](#) defines the Read Status Enhanced behavior and timings. The plane and die address must be specified in the command sequence in order to retrieve the status of the die and the plane of interest.

Refer to [Table 3.2](#) for specific Status Register definitions. The command register remains in Status Read mode until further commands are issued.

The Status Register is dynamic; the user is not required to toggle RE# / CE# to update it.

### 3.10 Read Status Register Field Definition

[Table 3.2](#) below lists the meaning of each bit of the Read Status Register and Read Status Enhanced (S34ML02G2 and S34ML04G2).

Table 3.2 Status Register Coding

| ID | Page Program / Page Reprogram | Block Erase   | Read         | Read Cache   | Cache Program / Cache Reprogram | Coding  |
|----|-------------------------------|---------------|--------------|--------------|---------------------------------|---|
| 0  | Pass / Fail                   | Pass / Fail   | NA           | NA           | Pass / Fail                     | N Page<br>Pass: 0<br>Fail: 1                    |
| 1  | NA                            | NA            | NA           | NA           | Pass / Fail                     | N - 1 Page<br>Pass: 0<br>Fail: 1                |
| 2  | NA                            | NA            | NA           | NA           | NA                              | —   |
| 3  | NA                            | NA            | NA           | NA           | NA                              | —   |
| 4  | NA                            | NA            | NA           | NA           | NA                              | —   |
| 5  | Ready / Busy                  | Ready / Busy  | Ready / Busy | Ready / Busy | Ready / Busy                    | Internal Data Operation<br>Active: 0<br>Idle: 1 |
| 6  | Ready / Busy                  | Ready / Busy  | Ready / Busy | Ready / Busy | Ready / Busy                    | Ready / Busy<br>Busy: 0<br>Ready: 1             |
| 7  | Write Protect                 | Write Protect | NA           | NA           | Write Protect                   | Protected: 0<br>Not Protected: 1                |

### 3.11 Reset

The Reset feature is executed by writing FFh to the command register. If the device is in the Busy state during random read, program, or erase mode, the Reset operation will abort these operations. The contents of memory cells being altered are no longer valid, as the data may be partially programmed or erased. The command register is cleared to wait for the next command, and the Status Register is cleared to value E0h when WP# is high or value 60h when WP# is low. If the device is already in reset state a new Reset command will not be accepted by the command register. The R/B# pin transitions to low for  $t_{RST}$  after the Reset command is written. Refer to [Figure 6.24 on page 57](#) for further details. The Status Register can also be read to determine the status of a Reset operation.

### 3.12 Read Cache

Read Cache can be used to increase the read operation speed, as defined in [Section 3.1 on page 23](#), and it cannot cross a block boundary. As soon as the user starts to read one page, the device automatically loads the next page into the cache register. Serial data output may be executed while data in the memory is read into the cache register. Read Cache is initiated by the Page Read sequence (00-30h) on a page M.

After random access to the first page is complete (R/B# returned to high, or Read Status Register I/O6 switches to high), two command sequences can be used to continue read cache:

- Read Cache (command '31h' only): once the command is latched into the command register (see [Figure 6.26 on page 58](#)), device goes busy for a short time ( $t_{CBSYR}$ ), during which data of the first page is transferred from the data register to the cache register. At the end of this phase, the cache register data can be output by toggling RE# while the next page (page address M+1) is read from the memory array into the data register.
- Read Cache Enhanced (sequence '00h' <page N address> '31'): once the command is latched into the command register (see [Figure 6.27 on page 59](#)), device goes busy for a short time ( $t_{CBSYR}$ ), during which data of the first page is transferred from the data register to the cache register. At the end of this phase, cache register data can be output by toggling RE# while page N is read from the memory array into the data register.

Subsequent pages are read by issuing additional Read Cache or Read Cache Enhanced command sequences. If serial data output time of one page exceeds random access time ( $t_R$ ), the random access time of the next page is hidden by data downloading of the previous page.

On the other hand, if 31h is issued prior to completing the random access to the next page, the device will stay busy as long as needed to complete random access to this page, transfer its contents into the cache register, and trigger the random access to the following page.

To terminate the Read Cache operation, 3Fh command should be issued (see [Figure 6.28 on page 59](#)). This command transfers data from the data register to the cache register without issuing next page read.

During the Read Cache operation, the device doesn't allow any other command except for 00h, 31h, 3Fh, Read SR, or Reset (FFh). To carry out other operations, Read Cache must be terminated by the Read Cache End command (3Fh) or the device must be reset by issuing FFh.

Read Status command (70h) may be issued to check the status of the different registers and the busy/ready status of the cached read operations.

- The Cache-Busy status bit I/O6 indicates when the cache register is ready to output new data.
- The status bit I/O5 can be used to determine when the cell reading of the current data register contents is complete.

**Note:** The Read Cache and Read Cache End commands reset the column counter, thus, when RE# is toggled to output the data of a given page, the first output data is related to the first byte of the page (column address 00h). Random Data Output command can be used to switch column address.

### 3.13 Cache Program

Cache Program can improve the program throughput by using the cache register. The Cache Program operation cannot cross a block boundary. The cache register allows new data to be input while the previous data that was transferred to the data register is programmed into the memory array.

After the serial data input command (80h) is loaded to the command register, followed by five cycles of address, a full or partial page of data is latched into the cache register.

Once the cache write command (15h) is loaded to the command register, the data in the cache register is transferred into the data register for cell programming. At this time the device remains in the Busy state for a short time ( $t_{CBSYW}$ ). After all data of the cache register is transferred into the data register, the device returns to the Ready state and allows loading the next data into the cache register through another Cache Program command sequence (80h-15h).

The Busy time following the first sequence 80h - 15h equals the time needed to transfer the data from the cache register to the data register. Cell programming the data of the data register and loading of the next data into the cache register is consequently processed through a pipeline model.

In case of any subsequent sequence 80h - 15h, transfer from the cache register to the data register is held off until cell programming of current data register contents is complete; till this moment the device will stay in a busy state ( $t_{CBSYW}$ ).

Read Status commands (70h or 78h) may be issued to check the status of the different registers, and the pass/fail status of the cached program operations.

- The Cache-Busy status bit I/O6 indicates when the cache register is ready to accept new data.
- The status bit I/O5 can be used to determine when the cell programming of the current data register contents is complete.
- The Cache Program error bit I/O1 can be used to identify if the previous page (page N-1) has been successfully programmed or not in a Cache Program operation. The status bit is valid upon I/O6 status bit changing to 1.
- The error bit I/O0 is used to identify if any error has been detected by the program/erase controller while programming page N. The status bit is valid upon I/O5 status bit changing to 1.

I/O1 may be read together with I/O0.

If the system monitors the progress of the operation only with R/B#, the last page of the target program sequence must be programmed with Page Program Confirm command (10h). If the Cache Program command (15h) is used instead, the status bit I/O5 must be polled to find out if the last programming is finished before starting any other operation. See [Table 3.2 on page 29](#) and [Figure 6.29 on page 60](#) for more details.

If a Cache Program operation is interrupted by hardware reset, power failure or other means, the host must ensure that the interrupted pages are not used for further reading or programming operations until the next uninterrupted block erases are complete for the applicable blocks.

### 3.14 Multiplane Cache Program — S34ML02G2 and S34ML04G2

The Multiplane Cache Program enables high program throughput by programming two pages in parallel, while exploiting the data and cache registers of both planes to implement cache.

The command sequence can be summarized as follows:

- Serial Data Input command (80h), followed by the five cycle address inputs and then serial data for the 1st page. Address for this page must be within 1st plane (PLA0 = 0). The data of 1st page other than those to be programmed do not need to be loaded. The device supports Random Data Input exactly like Page Program operation.
- The Dummy Page Program Confirm command (11h) stops 1st page data input and the device becomes busy for a short time ( $t_{DBSY}$ ).
- Once device returns to ready again, 81h command must be issued, followed by 2nd page address (5 cycles) and its serial data input. Address for this page must be within 2nd plane (PLA0 = 1). The data of 2nd page other than those to be programmed do not need to be loaded.
- Cache Program confirm command (15h). Once the cache write command (15h) is loaded to the command register, the data in the cache registers is transferred into the data registers for cell programming. At this time the device remains in the Busy state for a short time ( $t_{CBSYW}$ ). After all data from the cache registers are transferred into the data registers, the device returns to the Ready state, and allows loading the next data into the cache register through another Cache Program command sequence.

The sequence 80h-...- 11h-...-81h-...-15h can be iterated, and each time the device will be busy for the  $t_{CBSYW}$  time needed to complete programming the current data register contents, and transferring the new data from the cache registers. The sequence to end Multiplane Cache Program is 80h-...- 11h-...-81h-...-...10h.

The Multiplane Cache Program is available only within two paired blocks in separate planes. [Figure 6.30 on page 61](#) shows the legacy protocol for the Multiplane Cache Program operation. In this case, the block address bits for the first plane are all zero and the second address issued selects the block for both planes. [Figure 6.31 on page 62](#) shows the ONFI protocol for the Multiplane Cache Program operation. For both addresses issued in this protocol, the block address bits must be the same except for the bit(s) that select the plane.

The user can check operation status by R/B# pin or Read Status Register commands (70h or 78h). If the user opts for 70h, Read Status Register will provide “global” information about the operation in the two planes.

- I/O6 indicates when both cache registers are ready to accept new data.
- I/O5 indicates when the cell programming of the current data registers is complete.
- I/O1 identifies if the previous pages in both planes (pages N-1) have been successfully programmed or not. This status bit is valid upon I/O6 status bit changing to 1.
- I/O0 identifies if any error has been detected by the program/erase controller while programming the two pages N. This status bit is valid upon I/O5 status bit changing to 1.

See [Table 3.2 on page 29](#) for more details.

If the system monitors the progress of the operation only with R/B#, the last pages of the target program sequence must be programmed with Page Program Confirm command (10h). If the Cache Program command (15h) is used instead, the status bit I/O5 must be polled to find out if the last programming is finished before starting any other operation. Refer to [Section 3.8 on page 28](#) for further information.

If a Multiplane Cache Program operation is interrupted by hardware reset, power failure or other means, the host must ensure that the interrupted pages are not used for further reading or programming operations until the next uninterrupted block erases are complete for the applicable blocks.



### 3.15 Read ID

The device contains a product identification mode, initiated by writing 90h to the command register, followed by an address input of 00h.

**Note:** If you want to execute Read Status command (0x70) after Read ID sequence, you should input dummy command (0x00) before Read Status command (0x70).

For the S34ML02G2 and S34ML04G2 devices, five read cycles sequentially output the manufacturer code (01h), and the device code and 3rd, 4th, and 5th cycle ID, respectively. For the S34ML01G2 device, four read cycles sequentially output the manufacturer code (01h), and the device code and 80h, 4th cycle ID, respectively. The command register remains in Read ID mode until further commands are issued to it. [Figure 6.32 on page 63](#) shows the operation sequence, while [Table 3.3](#) to [Table 3.8](#) explain the byte meaning.

**Table 3.3** Read ID for Supported Configurations

| Density | Org | V <sub>CC</sub> | 1st | 2nd | 3rd | 4th | 5th |
|---------|-----|-----------------|-----|-----|-----|-----|-----|
| 1 Gb    | x8  | 3.3V            | 01h | F1h | 80h | 1Dh | —   |
| 2 Gb    |     |                 | 01h | DAh | 90h | 95h | 46h |
| 4 Gb    |     |                 | 01h | DCh | 90h | 95h | 56h |
| 1 Gb    | x16 |                 | 01h | C1h | 80h | 5Dh | —   |
| 2 Gb    |     |                 | 01h | CAh | 90h | D5h | 46h |
| 4 Gb    |     |                 | 01h | CCh | 90h | D5h | 56h |

**Table 3.4** Read ID Bytes

| Device Identifier Byte     | Description   |
|----------------------------|---|
| 1st                        | Manufacturer Code   |
| 2nd                        | Device Identifier   |
| 3rd                        | Internal chip number, cell type, etc.                               |
| 4th                        | Page Size, Block Size, Spare Size, Serial Access Time, Organization |
| 5th (S34ML02G2, S34ML04G2) | ECC, Multiplane information   |

### 3<sup>rd</sup> ID Data

**Table 3.5** Read ID Byte 3 Description

|   | Description   | I/O7 | I/O6 | I/O5 I/O4 | I/O3 I/O2 | I/O1 I/O0 |
|---|---------------|------|------|-----------|-----------|-----------|
| Internal Chip Number                      | 1             |      |      |           |           | 00        |
|   | 2             |      |      |           |           | 01        |
|   | 4             |      |      |           |           | 10        |
|   | 8             |      |      |           |           | 11        |
| Cell type                                 | 2-level cell  |      |      |           | 00        |           |
|   | 4-level cell  |      |      |           | 01        |           |
|   | 8-level cell  |      |      |           | 10        |           |
|   | 16-level cell |      |      |           | 11        |           |
| Number of simultaneously programmed pages | 1             |      |      | 00        |           |           |
|   | 2             |      |      | 01        |           |           |
|   | 4             |      |      | 10        |           |           |
|   | 8             |      |      | 11        |           |           |
| Interleave program Between multiple chips | Not supported |      | 0    |           |           |           |
|   | Supported     |      | 1    |           |           |           |
| Cache Program                             | Not supported | 0    |      |           |           |           |
|   | Supported     | 1    |      |           |           |           |



4<sup>th</sup> ID Data

Table 3.6 Read ID Byte 4 Description — S34ML01G2

|                                      | Description | I/O7 | I/O6 | I/O5 I/O4 | I/O3 | I/O2 | I/O1 I/O0 |
|--------------------------------------|-------------|------|------|-----------|------|------|-----------|
| Page Size<br>(without spare area)    | 1 kB        |      |      |           |      |      | 0 0       |
|                                      | 2 kB        |      |      |           |      |      | 0 1       |
|                                      | 4 kB        |      |      |           |      |      | 1 0       |
|                                      | 8 kB        |      |      |           |      |      | 1 1       |
| Block Size<br>(without spare area)   | 64 kB       |      |      | 0 0       |      |      |           |
|                                      | 128 kB      |      |      | 0 1       |      |      |           |
|                                      | 256 kB      |      |      | 1 0       |      |      |           |
|                                      | 512 kB      |      |      | 1 1       |      |      |           |
| Spare Area Size<br>(byte / 512 byte) | 8           |      |      |           |      | 0    |           |
|                                      | 16          |      |      |           |      | 1    |           |
| Serial Access Time                   | 45 ns       | 0    |      |           | 0    |      |           |
|                                      | 25 ns       | 0    |      |           | 1    |      |           |
|                                      | Reserved    | 1    |      |           | 0    |      |           |
|                                      | Reserved    | 1    |      |           | 1    |      |           |
| Organization                         | x8          |      | 0    |           |      |      |           |
|                                      | x16         |      | 1    |           |      |      |           |

Table 3.7 Read ID Byte 4 Description — S34ML02G2 and S34ML04G2

|                                      | Description   | I/O7 | I/O6 | I/O5 I/O4 | I/O3 | I/O2 | I/O1 I/O0 |
|--------------------------------------|---------------|------|------|-----------|------|------|-----------|
| Page Size<br>(without spare area)    | 1 kB          |      |      |           |      |      | 0 0       |
|                                      | 2 kB          |      |      |           |      |      | 0 1       |
|                                      | 4 kB          |      |      |           |      |      | 1 0       |
|                                      | 8 kB          |      |      |           |      |      | 1 1       |
| Block Size<br>(without spare area)   | 64 kB         |      |      | 0 0       |      |      |           |
|                                      | 128 kB        |      |      | 0 1       |      |      |           |
|                                      | 256 kB        |      |      | 1 0       |      |      |           |
|                                      | 512 kB        |      |      | 1 1       |      |      |           |
| Spare Area Size<br>(byte / 512 byte) | 16            |      |      |           |      | 0    |           |
|                                      | 32            |      |      |           |      | 1    |           |
| Serial Access Time                   | 50 ns / 30 ns | 0    |      |           | 0    |      |           |
|                                      | 25 ns         | 1    |      |           | 0    |      |           |
|                                      | Reserved      | 0    |      |           | 1    |      |           |
|                                      | Reserved      | 1    |      |           | 1    |      |           |
| Organization                         | x8            |      | 0    |           |      |      |           |
|                                      | x16           |      | 1    |           |      |      |           |

### 5<sup>th</sup> ID Data

**Table 3.8** Read ID Byte 5 Description — S34ML02G2 and S34ML04G2

|                                    | Description       | I/O7 | I/O6 I/O5 I/O4 | I/O3 I/O2 | I/O1 I/O0 |
|------------------------------------|-------------------|------|----------------|-----------|-----------|
| ECC Level                          | 1 bit / 512 bytes |      |                |           | 0 0       |
|                                    | 2 bit / 512 bytes |      |                |           | 0 1       |
|                                    | 4 bit / 512 bytes |      |                |           | 1 0       |
|                                    | 8 bit / 512 bytes |      |                |           | 1 1       |
| Plane Number                       | 1                 |      |                | 0 0       |           |
|                                    | 2                 |      |                | 0 1       |           |
|                                    | 4                 |      |                | 1 0       |           |
|                                    | 8                 |      |                | 1 1       |           |
| Plane Size<br>(without spare area) | 64 Mb             |      | 0 0 0          |           |           |
|                                    | 128 Mb            |      | 0 0 1          |           |           |
|                                    | 256 Mb            |      | 0 1 0          |           |           |
|                                    | 512 Mb            |      | 0 1 1          |           |           |
|                                    | 1 Gb              |      | 1 0 0          |           |           |
|                                    | 2 Gb              |      | 1 0 1          |           |           |
|                                    | 4 Gb              |      | 1 1 0          |           |           |
| Reserved                           |                   | 0    |                |           |           |

### 3.16 Read ID2

The device contains an alternate identification mode, initiated by writing 30h-65h-00h to the command register, followed by address inputs, followed by command 30h. The address for S34ML01G2 will be 00h-02h-02h-00h. The address for S34ML02G2 and S34ML04G2 will be 00h-02h-02h-00h-00h. The ID2 data can then be read from the device by pulsing RE#. The command register remains in Read ID2 mode until further commands are issued to it. [Figure 6.33 on page 63](#) shows the Read ID2 command sequence. Read ID2 values are all 0xFs, unless specific values are requested when ordering from Spansion.

### 3.17 Read ONFI Signature

To retrieve the ONFI signature, the command 90h together with an address of 20h shall be entered (i.e. it is not valid to enter an address of 00h and read 36 bytes to get the ONFI signature). The ONFI signature is the ASCII encoding of 'ONFI' where 'O' = 4Fh, 'N' = 4Eh, 'F' = 46h, and 'I' = 49h. Reading beyond four bytes yields indeterminate values. [Figure 6.34 on page 64](#) shows the operation sequence.

### 3.18 Read Parameter Page

The device supports the ONFI Read Parameter Page operation, initiated by writing ECh to the command register, followed by an address input of 00h. The host may monitor the R/B# pin or wait for the maximum data transfer time ( $t_{\text{R}}$ ) before reading the Parameter Page data. The command register remains in Parameter Page mode until further commands are issued to it. If the Status Register is read to determine when the data is ready, the Read Command (00h) must be issued before starting read cycles. [Figure 6.35 on page 64](#) shows the operation sequence, while [Table 3.9](#) explains the parameter fields.

For x16 devices, the upper eight I/Os are not used and are 0xFF.

**Note:** For 32 nm Spansion NAND, for a particular condition, the Read Parameter Page command does not give the correct values. To overcome this issue, the host must issue a Reset command before the Read Parameter Page command. Issuance of Reset before the Read Parameter Page command will provide the correct values and will not output 00h values.

**Table 3.9** Parameter Page Description (Sheet 1 of 3)

| Byte   | O/M | Description  | Values  |
|--|-----|--|---|
| <b>Revision Information and Features Block</b> |     |  |   |
| 0-3  | M   | Parameter page signature<br>Byte 0: 4Fh, "O"<br>Byte 1: 4Eh, "N"<br>Byte 2: 46h, "F"<br>Byte 3: 49h, "I"   | 4Fh, 4Eh, 46h, 49h  |
| 4-5  | M   | Revision number<br>2-15 Reserved (0)<br>1 1 = supports ONFI version 1.0<br>0 Reserved (0)  | 02h, 00h  |
| 6-7  | M   | Features supported<br>5-15 Reserved (0)<br>4 1 = supports odd to even page Copyback<br>3 1 = supports interleaved operations<br>2 1 = supports non-sequential page programming<br>1 1 = supports multiple LUN operations<br>0 1 = supports 16-bit data bus width   | S34ML01G200 (x8): 14h, 00h<br>S34ML02G200 (x8): 1Ch, 00h<br>S34ML04G200 (x8): 1Ch, 00h<br>S34ML01G204 (x16): 15h, 00h<br>S34ML02G204 (x16): 1Dh, 00h<br>S34ML04G204 (x16): 1Dh, 00h   |
| 8-9  | M   | Optional commands supported<br>6-15 Reserved (0)<br>5 1 = supports Read Unique ID (contact factory)<br>4 1 = supports Copyback<br>3 1 = supports Read Status Enhanced<br>2 1 = supports Get Features and Set Features<br>1 1 = supports Read Cache commands<br>0 1 = supports Page Cache Program command | S34ML01G2: 33h, 00h<br>S34ML02G2: 3Bh, 00h<br>S34ML04G2: 3Bh, 00h   |
| 10-31  |     | Reserved (0)   | 00h   |
| <b>Manufacturer Information Block</b>          |     |  |   |
| 32-43  | M   | Device manufacturer (12 ASCII characters)  | 53h, 50h, 41h, 4Eh, 53h, 49h, 4Fh, 4Eh, 20h, 20h, 20h, 20h  |
| 44-63  | M   | Device model (20 ASCII characters)   | S34ML01G2: 53h, 33h, 34h, 4Dh, 4Ch, 30h, 31h, 47h, 32h, 20h, 20h, 20h, 20h, 20h, 20h, 20h, 20h, 20h, 20h, 20h, 20h<br>S34ML02G2: 53h, 33h, 34h, 4Dh, 4Ch, 30h, 32h, 47h, 32h, 20h, 20h, 20h, 20h, 20h, 20h, 20h, 20h, 20h, 20h, 20h, 20h<br>S34ML04G2: 53h, 33h, 34h, 4Dh, 4Ch, 30h, 34h, 47h, 32h, 20h, 20h, 20h, 20h, 20h, 20h, 20h, 20h, 20h, 20h, 20h, 20h, 20h |
| 64   | M   | JEDEC manufacturer ID  | 01h   |
| 65-66  | O   | Date code  | 00h   |
| 67-79  |     | Reserved (0)   | 00h   |
| <b>Memory Organization Block</b>               |     |  |   |

**Table 3.9** Parameter Page Description (Sheet 2 of 3)

| Byte                               | O/M | Description  | Values  |
|------------------------------------|-----|--|---|
| 80-83                              | M   | Number of data bytes per page  | 00h, 08h, 00h, 00h  |
| 84-85                              | M   | Number of spare bytes per page   | S34ML01G2: 40h, 00h<br>S34ML02G2: 80h, 00h<br>S34ML04G2: 80h, 00h                               |
| 86-89                              | M   | Number of data bytes per partial page  | 00h, 00h, 00h, 00h  |
| 90-91                              | M   | Number of spare bytes per partial page   | 00h, 00h  |
| 92-95                              | M   | Number of pages per block  | 40h, 00h, 00h, 00h  |
| 96-99                              | M   | Number of blocks per logical unit (LUN)  | S34ML01G2: 00h, 04h, 00h, 00h<br>S34ML02G2: 00h, 08h, 00h, 00h<br>S34ML04G2: 00h, 10h, 00h, 00h |
| 100                                | M   | Number of logical units (LUNs)   | 01h   |
| 101                                | M   | Number of address cycles<br>4-7 Column address cycles<br>0-3 Row address cycles  | S34ML01G2: 22h<br>S34ML02G2: 23h<br>S34ML04G2: 23h  |
| 102                                | M   | Number of bits per cell  | 01h   |
| 103-104                            | M   | Bad blocks maximum per LUN   | S34ML01G2: 14h, 00h<br>S34ML02G2: 28h, 00h<br>S34ML04G2: 50h, 00h                               |
| 105-106                            | M   | Block endurance  | 01h, 05h  |
| 107                                | M   | Guaranteed valid blocks at beginning of target   | 01h   |
| 108-109                            | M   | Block endurance for guaranteed valid blocks  | 01h, 03h  |
| 110                                | M   | Number of programs per page  | 04h   |
| 111                                | M   | Partial programming attributes<br>5-7 Reserved<br>4 1 = partial page layout is partial page data followed by partial page spare<br>1-3 Reserved<br>0 1 = partial page programming has constraints  | 00h   |
| 112                                | M   | Number of bits ECC correctability  | 04h   |
| 113                                | M   | Number of interleaved address bits<br>4-7 Reserved (0)<br>0-3 Number of interleaved address bits   | S34ML01G2: 00h<br>S34ML02G2: 01h<br>S34ML04G2: 01h  |
| 114                                | O   | Interleaved operation attributes<br>4-7 Reserved (0)<br>3 Address restrictions for program cache<br>2 1 = program cache supported<br>1 1 = no block address restrictions<br>0 Overlapped / concurrent interleaving support                             | S34ML01G2: 00h<br>S34ML02G2: 04h<br>S34ML04G2: 04h  |
| 115-127                            |     | Reserved (0)   | 00h   |
| <b>Electrical Parameters Block</b> |     |  |   |
| 128                                | M   | I/O pin capacitance  | 0Ah   |
| 129-130                            | M   | Timing mode support<br>6-15 Reserved (0)<br>5 1 = supports timing mode 5<br>4 1 = supports timing mode 4<br>3 1 = supports timing mode 3<br>2 1 = supports timing mode 2<br>1 1 = supports timing mode 1<br>0 1 = supports timing mode 0, shall be 1   | 1Fh, 00h  |
| 131-132                            | O   | Program cache timing mode support<br>6-15 Reserved (0)<br>5 1 = supports timing mode 5<br>4 1 = supports timing mode 4<br>3 1 = supports timing mode 3<br>2 1 = supports timing mode 2<br>1 1 = supports timing mode 1<br>0 1 = supports timing mode 0 | 1Fh, 00h  |
| 133-134                            | M   | t <sub>PROG</sub> Maximum page program time (μs)   | BCh, 02h  |
| 135-136                            | M   | t <sub>BERS</sub> Maximum block erase time (μs)  | 10h, 27h  |

Table 3.9 Parameter Page Description (Sheet 3 of 3)

| Byte                             | O/M | Description                                     | Values  |
|----------------------------------|-----|---|---|
| 137-138                          | M   | $t_R$ Maximum page read time ( $\mu$ s)         | S34ML01G2: 19h, 00h<br>S34ML02G2: 1Eh, 00h<br>S34ML04G2: 1Eh, 00h   |
| 139-140                          | M   | $t_{CCS}$ Minimum Change Column setup time (ns) | C8h, 00h  |
| 141-163                          |     | Reserved (0)                                    | 00h   |
| <b>Vendor Block</b>              |     |   |   |
| 164-165                          | M   | Vendor specific Revision number                 | 00h   |
| 166-253                          |     | Vendor specific                                 | 00h   |
| 254-255                          | M   | Integrity CRC                                   | S34ML01G200 (x8): 68h, 4Eh<br>S34ML02G200 (x8): 56h, EAh<br>S34ML04G200 (x8): 28h, A1h<br>S34ML01G204 (x16): 1Ah, 38h<br>S34ML02G204 (x16): 24h, 9Ch<br>S34ML04G204 (x16): 5Ah, D7h |
| <b>Redundant Parameter Pages</b> |     |   |   |
| 256-511                          | M   | Value of bytes 0-255                            | Repeat Value of bytes 0-255   |
| 512-767                          | M   | Value of bytes 0-255                            | Repeat Value of bytes 0-255   |
| 768+                             | O   | Additional redundant parameter pages            | FFh   |

**Note:**

1. "O" Stands for Optional, "M" for Mandatory.

### 3.19 Read Unique ID (Contact Factory)

The device supports the ONFI Read Unique ID function, initiated by writing EDh to the command register, followed by an address input of 00h. The host must monitor the R/B# pin or wait for the maximum data transfer time ( $t_R$ ) before reading the Unique ID data. The first sixteen bytes returned by the flash is a unique value. The next sixteen bytes returned are the bit-wise complement of the unique value. The host can verify the Unique ID was read correctly by performing an XOR of the two values. The result should be all ones. The command register remains in Unique ID mode until further commands are issued to it. [Figure 6.36 on page 65](#) shows the operation sequence, while [Table 3.10](#) shows the Unique ID data contents. Spansion guarantees unique id support feature with a special model number shown in the OPN combination in [Section 10., Ordering Information on page 74](#).

Table 3.10 Unique ID Data Description (Contact Factory) (Sheet 1 of 2)

| Byte    | Description   |
|---------|---------------|
| 0-15    | Unique ID     |
| 16-31   | ID Complement |
| 32-47   | Unique ID     |
| 48-63   | ID Complement |
| 64-79   | Unique ID     |
| 80-95   | ID Complement |
| 96-111  | Unique ID     |
| 112-127 | ID Complement |
| 128-143 | Unique ID     |
| 144-159 | ID Complement |
| 160-175 | Unique ID     |
| 176-191 | ID Complement |
| 192-207 | Unique ID     |
| 208-223 | ID Complement |
| 224-239 | Unique ID     |
| 240-255 | ID Complement |
| 256-271 | Unique ID     |

**Table 3.10** Unique ID Data Description (Contact Factory) (Sheet 2 of 2)

| Byte    | Description   |
|---------|---------------|
| 272-287 | ID Complement |
| 288-303 | Unique ID     |
| 304-319 | ID Complement |
| 320-335 | Unique ID     |
| 336-351 | ID Complement |
| 352-367 | Unique ID     |
| 368-383 | ID Complement |
| 384-399 | Unique ID     |
| 400-415 | ID Complement |
| 416-431 | Unique ID     |
| 432-447 | ID Complement |
| 448-463 | Unique ID     |
| 464-479 | ID Complement |
| 480-495 | Unique ID     |
| 496-511 | ID Complement |

**Note:**

1. For 32 nm Spansion NAND, for a particular condition, if read unique id does not give the correct values, the host must issue a Reset command before the read unique id command. Issuance of Reset before the read unique id command will provide the correct values and will not output false values.

### 3.20 One-Time Programmable (OTP) Entry

The device contains a one-time programmable (OTP) area, which is accessed by writing 29h-17h-04h-19h to the command register. The device is then ready to accept Page Read and Page Program commands (refer to [Page Read](#) and [Page Program on page 23](#)). The OTP area is of a single erase block size (64 pages), and hence only row addresses between 00h and 3Fh are allowed. The host must issue the Reset command (refer to [Reset on page 29](#)) to exit the OTP area and access the normal flash array. The Block Erase command is not allowed in the OTP area. Refer to [Figure 6.37 on page 65](#) for more detail on the OTP Entry command sequence.

## 4. Signal Descriptions

### 4.1 Data Protection and Power On / Off Sequence

The device is designed to offer protection from any involuntary program/erase during power-transitions. An internal voltage detector disables all functions whenever VCC is below about 1.8V.

The power-up and power-down sequence is shown in [Figure 6.38 on page 66](#), in this case V<sub>CC</sub> and V<sub>CCQ</sub> on the one hand (and V<sub>SS</sub> and V<sub>SSQ</sub> on the other hand) are shorted together at all times.

The Ready/Busy signal shall be valid within 100 μs after the power supplies have reached the minimum values (as specified on), and shall return to one within 5 ms (max).

During this busy time, the device executes the initialization process (cam reading), and dissipates a current I<sub>CC0</sub> (30 mA max), in addition, it disregards all commands excluding Read Status Register (70h).

At the end of this busy time, the device defaults into “read setup”, thus if the user decides to issue a page read command, the 00h command may be skipped.

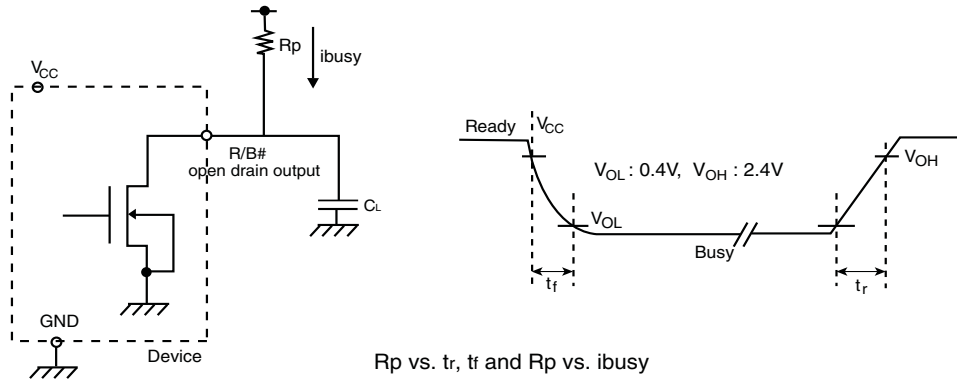
The WP# pin provides hardware protection and is recommended to be kept at V<sub>IL</sub> during power-up and power-down. A recovery time of minimum 100 μs is required before the internal circuit gets ready for any command sequences as shown in [Figure 6.38 on page 66](#). The two-step command sequence for program/erase provides additional software protection.

## 4.2 Ready/Busy

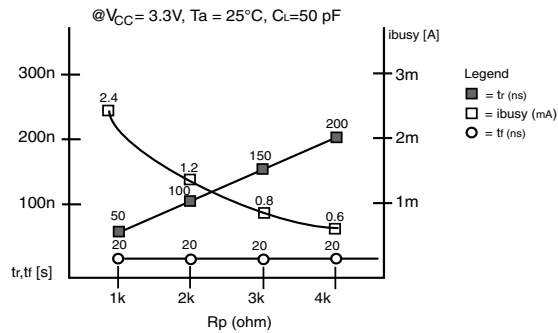
The Ready/Busy output provides a method of indicating the completion of a page program, erase, copyback, or read completion. The R/B# pin is normally high and goes to low when the device is busy (after a reset, read, program, or erase operation). It returns to high when the internal controller has finished the operation. The pin is an open-drain driver thereby allowing two or more R/B# outputs to be Or-tied. Because the pull-up resistor value is related to  $t_r$  (R/B#) and the current drain during busy ( $i_{busy}$ ), and output load capacitance is related to  $t_f$ , an appropriate value can be obtained with the reference chart shown in Figure 4.1.

For example, for a particular system with 20 pF of output load,  $t_f$  from  $V_{CC}$  to  $V_{OL}$  at 10% to 90% will be 10 ns, whereas for a particular load of 50 pF, Spansion measured it to be 20 ns as shown in Figure 4.1.

Figure 4.1 Ready/Busy Pin Electrical Application



Rp vs. tr, tf and Rp vs.  $i_{busy}$



### Rp value guidance

$$R_p (\text{min.}) = \frac{V_{CC} (\text{Max.}) - V_{OL} (\text{Max.})}{I_{OL} + \sum I_L} = \frac{3.2V}{8\text{mA} + \sum I_L}$$

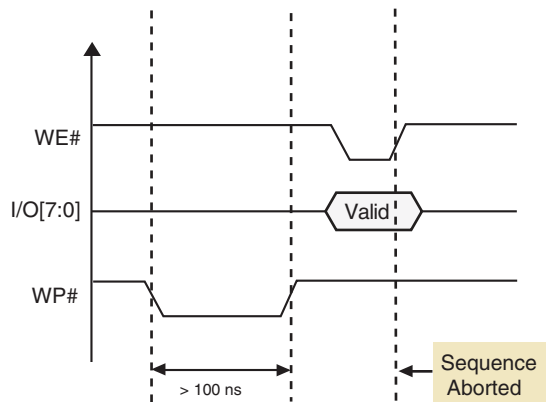
where  $I_L$  is the sum of the input currents of all devices tied to the R/B# pin.  $R_p(\text{max})$  is determined by maximum permissible limit of  $t_r$ .

### 4.3 Write Protect Operation

Erase and program operations are aborted if WP# is driven low during busy time, and kept low for about 100 ns. Switching WP# low during this time is equivalent to issuing a Reset command (FFh). The contents of memory cells being altered are no longer valid, as the data will be partially programmed or erased. The R/B# pin will stay low for  $t_{RST}$  (similarly to [Figure 6.24 on page 57](#)). At the end of this time, the command register is ready to process the next command, and the Status Register bit I/O6 will be cleared to 1, while I/O7 value will be related to the WP# value. Refer to [Table 3.2 on page 29](#) for more information on device status.

Erase and program operations are enabled or disabled by setting WP# to high or low respectively, prior to issuing the setup commands (80h or 60h). The level of WP# shall be set  $t_{WW}$  ns prior to raising the WE# pin for the set up command, as explained in [Figure 6.39](#) and [Figure 6.40 on page 66](#).

**Figure 4.2** WP# Low Timing Requirements during Program/Erase Command Sequence





## 5. Electrical Characteristics

### 5.1 Valid Blocks

Table 5.1 Valid Blocks

| Device    | Symbol   | Min  | Typ | Max  | Unit   |
|-----------|----------|------|-----|------|--------|
| S34ML01G2 | $N_{VB}$ | 1004 | —   | 1024 | Blocks |
| S34ML02G2 | $N_{VB}$ | 2008 | —   | 2048 | Blocks |
| S34ML04G2 | $N_{VB}$ | 4016 | —   | 4096 | Blocks |

### 5.2 Absolute Maximum Ratings

Table 5.2 Absolute Maximum Ratings

| Parameter  | Symbol       | Value        | Unit |
|--|--------------|--------------|------|
| Ambient Operating Temperature (Industrial Temperature Range) | $T_A$        | -40 to +85   | °C   |
| Temperature under Bias                                       | $T_{BIAS}$   | -50 to +125  | °C   |
| Storage Temperature  | $T_{STG}$    | -65 to +150  | °C   |
| Input or Output Voltage                                      | $V_{IO}$ (2) | -0.6 to +4.6 | V    |
| Supply Voltage   | $V_{CC}$     | -0.6 to +4.6 | V    |

**Notes:**

1. Except for the rating "Operating Temperature Range", stresses above those listed in the table [Absolute Maximum Ratings](#) "Absolute Maximum Ratings" may cause permanent damage to the device. These are stress ratings only and operation of the device at these or any other conditions above those indicated in the Operating sections of this specification is not implied. Exposure to Absolute Maximum Rating conditions for extended periods may affect device reliability.
2. Minimum Voltage may undershoot to -2V during transition and for less than 20 ns during transitions.
3. Maximum Voltage may overshoot to  $V_{CC} + 2.0V$  during transition and for less than 20 ns during transitions.

### 5.3 AC Test Conditions

Table 5.3 AC Test Conditions

| Parameter                      | Value                       |
|--------------------------------|-----------------------------|
| Input Pulse Levels             | 0.0V to $V_{CC}$            |
| Input Rise and Fall Times      | 5 ns                        |
| Input and Output Timing Levels | $V_{CC} / 2$                |
| Output Load (2.7V - 3.6V)      | 1 TTL Gate and $CL = 50$ pF |

## 5.4 AC Characteristics

Table 5.4 AC Characteristics

| Parameter  | Symbol         | Min | Max      | Unit    |
|--|----------------|-----|----------|---------|
| ALE to RE# delay   | $t_{AR}$       | 10  | —        | ns      |
| ALE hold time  | $t_{ALH}$      | 5   | —        | ns      |
| ALE setup time   | $t_{ALS}$      | 10  | —        | ns      |
| Address to data loading time                               | $t_{ADL}$      | 70  | —        | ns      |
| CE# low to RE# low   | $t_{CR}$       | 10  | —        | ns      |
| CE# hold time  | $t_{CH}$       | 5   | —        | ns      |
| CE# high to output High-Z                                  | $t_{CHZ}$      | —   | 30       | ns      |
| CLE hold time  | $t_{CLH}$      | 5   | —        | ns      |
| CLE to RE# delay   | $t_{CLR}$      | 10  | —        | ns      |
| CLE setup time   | $t_{CLS}$      | 10  | —        | ns      |
| CE# access time  | $t_{CEA}$ (4)  | —   | 25       | ns      |
| CE# high to output hold                                    | $t_{COH}$ (3)  | 15  | —        | ns      |
| CE# high to ALE or CLE don't care                          | $t_{CSD}$      | 10  | —        | ns      |
| CE# setup time   | $t_{CS}$       | 20  | —        | ns      |
| Data hold time   | $t_{DH}$       | 5   | —        | ns      |
| Data setup time  | $t_{DS}$       | 10  | —        | ns      |
| Data transfer from cell to register (S34ML01G2)            | $t_R$          | —   | 25       | $\mu$ s |
| Data transfer from cell to register (S34ML02G2, S34ML04G2) | $t_R$          | —   | 30       | $\mu$ s |
| Output High-Z to RE# low                                   | $t_{IR}$       | 0   | —        | ns      |
| Read cycle time  | $t_{RC}$       | 25  | —        | ns      |
| RE# access time  | $t_{REA}$      | —   | 20       | ns      |
| RE# high hold time   | $t_{REH}$      | 10  | —        | ns      |
| RE# high to output hold                                    | $t_{RHOH}$ (3) | 15  | —        | ns      |
| RE# high to WE# low  | $t_{RHW}$      | 100 | —        | ns      |
| RE# high to output High-Z                                  | $t_{RHZ}$      | —   | 100      | ns      |
| RE# low to output hold                                     | $t_{RLOH}$     | 5   | —        | ns      |
| RE# pulse width  | $t_{RP}$       | 12  | —        | ns      |
| Ready to RE# low   | $t_{RR}$       | 20  | —        | ns      |
| Device resetting time (Read/Program/Erase)                 | $t_{RST}$      | —   | 5/10/500 | $\mu$ s |
| WE# high to busy   | $t_{WB}$       | —   | 100      | ns      |
| Write cycle time   | $t_{WC}$       | 25  | —        | ns      |
| WE# high hold time   | $t_{WH}$       | 10  | —        | ns      |
| WE# high to RE# low  | $t_{WHR}$      | 60  | —        | ns      |
| WE# high to RE# low for Random Data Output                 | $t_{WHR2}$     | 200 | —        | ns      |
| WE# pulse width  | $t_{WP}$       | 12  | —        | ns      |
| Write protect time   | $t_{WW}$       | 100 | —        | ns      |

**Notes:**

1. The time to Ready depends on the value of the pull-up resistor tied to R/B# pin.
2. If Reset Command (FFh) is written at Ready state, the device goes into Busy for maximum 5  $\mu$ s.
3. CE# low to high or RE# low to high can be at different times and produce three cases. Depending on which signal comes high first, either  $t_{COH}$  or  $t_{RHOH}$  will be met.
4. During data output,  $t_{CEA}$  depends partly on  $t_{CR}$  (CE# low to RE# low). If  $t_{CR}$  exceeds the minimum value specified, then the maximum time for  $t_{CEA}$  may also be exceeded ( $t_{CEA} = t_{CR} + t_{REA}$ ).

## 5.5 DC Characteristics

**Table 5.5** DC Characteristics and Operating Conditions

| Parameter   |                 | Symbol          | Test Conditions   | Min                 | Typ | Max                 | Units   |
|---|-----------------|-----------------|---|---------------------|-----|---------------------|---------|
| Power On Current                                    |                 | $I_{CC0}$       | FFh command input after power on                                    | —                   | —   | 50 per device       | mA      |
| Operating Current                                   | Sequential Read | $I_{CC1}$       | $t_{RC} = t_{RC}(\text{min})$<br>$CE\# = V_{IL}$ , $I_{out} = 0$ mA | —                   | 15  | 30                  | mA      |
|   | Program         | $I_{CC2}$       | Normal  | —                   | 15  | 30                  | mA      |
|   |                 |                 | Cache   | —                   | 15  | 30                  | mA      |
| Erase   | $I_{CC3}$       | —               | —   | 15                  | 30  | mA                  |         |
| Standby Current, (TTL)                              |                 | $I_{CC4}$       | $CE\# = V_{IH}$ ,<br>$WP\# = 0V/V_{CC}$                             | —                   | —   | 1                   | mA      |
| Standby Current, (CMOS)                             |                 | $I_{CC5}$       | $CE\# = V_{CC} - 0.2$ ,<br>$WP\# = 0/V_{CC}$                        | —                   | 10  | 50                  | $\mu$ A |
| Input Leakage Current                               |                 | $I_{LI}$        | $V_{IN} = 0$ to $V_{CC}(\text{max})$                                | —                   | —   | $\pm 10$            | $\mu$ A |
| Output Leakage Current                              |                 | $I_{LO}$        | $V_{OUT} = 0$ to $V_{CC}(\text{max})$                               | —                   | —   | $\pm 10$            | $\mu$ A |
| Input High Voltage                                  |                 | $V_{IH}$        | —   | $V_{CC} \times 0.8$ | —   | $V_{CC} + 0.3$      | V       |
| Input Low Voltage                                   |                 | $V_{IL}$        | —   | -0.3                | —   | $V_{CC} \times 0.2$ | V       |
| Output High Voltage                                 |                 | $V_{OH}$        | $I_{OH} = -400$ $\mu$ A   | 2.4                 | —   | —                   | V       |
| Output Low Voltage                                  |                 | $V_{OL}$        | $I_{OL} = 2.1$ mA   | —                   | —   | 0.4                 | V       |
| Output Low Current (R/B#)                           |                 | $I_{OL(R/B\#)}$ | $V_{OL} = 0.4V$   | 8                   | 10  | —                   | mA      |
| $V_{CC}$ Supply Voltage (erase and program lockout) |                 | $V_{LKO}$       | —   | —                   | 1.8 | —                   | V       |

**Notes:**

1. All  $V_{CCQ}$  and  $V_{CC}$  pins, and  $V_{SS}$  and  $V_{SSQ}$  pins respectively are shorted together.
2. Values listed in this table refer to the complete voltage range for  $V_{CC}$  and  $V_{CCQ}$  and to a single device in case of device stacking.
3. All current measurements are performed with a 0.1  $\mu$ F capacitor connected between the  $V_{CC}$  Supply Voltage pin and the  $V_{SS}$  Ground pin.
4. Standby current measurement can be performed after the device has completed the initialization process at power up. Refer to [Section 4.1](#) for more details.

## 5.6 Pin Capacitance

**Table 5.6** Pin Capacitance (TA = 25°C, f=1.0 MHz)

| Parameter      | Symbol   | Test Condition | Min | Max | Unit |
|----------------|----------|----------------|-----|-----|------|
| Input          | $C_{IN}$ | $V_{IN} = 0V$  | —   | 10  | pF   |
| Input / Output | $C_{IO}$ | $V_{IL} = 0V$  | —   | 10  | pF   |

**Note:**

1. For the stacked devices version the Input is 10 pF x [number of stacked chips] and the Input/Output is 10 pF x [number of stacked chips].

## 5.7 Program / Erase Characteristics

Table 5.7 Program / Erase Characteristics

| Parameter   |              | Description | Min | Typ | Max        | Unit    |
|---|--------------|-------------|-----|-----|------------|---------|
| Program Time / Multiplane Program Time (2)                      |              | $t_{PROG}$  | —   | 300 | 700        | $\mu s$ |
| Dummy Busy Time for Multiplane Program (S34ML02G2, S34ML04G2)   |              | $t_{DBSY}$  | —   | 0.5 | 1          | $\mu s$ |
| Cache Program short busy time                                   |              | $t_{CBSYW}$ | —   | 5   | $t_{PROG}$ | $\mu s$ |
| Number of partial Program Cycles in the same page               | Main + Spare | NOP         | —   | —   | 4          | Cycle   |
| Block Erase Time / Multiplane Erase Time (S34ML02G2, S34ML04G2) |              | $t_{BERS}$  | —   | 3.5 | 10         | ms      |
| Block Erase Time (S34ML01G2)                                    |              | $t_{BERS}$  | —   | 3   | 10         | ms      |
| Read Cache busy time (S34ML01G2)                                |              | $t_{CBSYR}$ | —   | 3   | $t_R$      | $\mu s$ |
| Read Cache busy time (S34ML02G2, S34ML04G2)                     |              | $t_{CBSYR}$ | —   | 5   | $t_R$      | $\mu s$ |

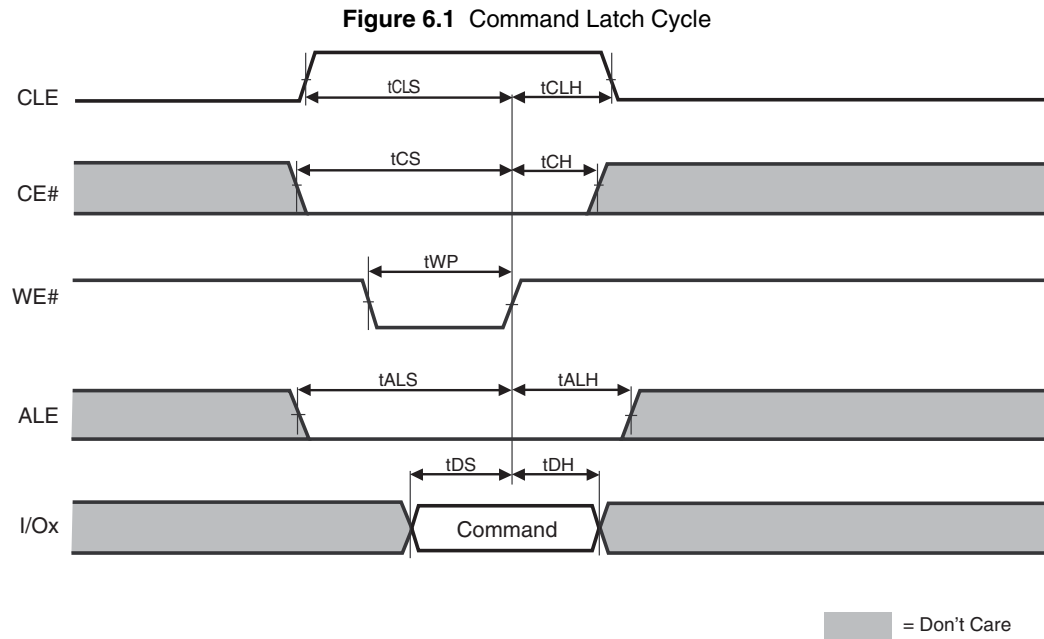
**Notes:**

1. Typical program time is defined as the time within which more than 50% of the whole pages are programmed ( $V_{CC} = 3.3V, 25^{\circ}C$ ).
2. Copy Back Read and Copy Back Program for a given plane must be between odd address pages or between even address pages for the device to meet the program time ( $t_{PROG}$ ) specification. Copy Back Program may not meet this specification when copying from an odd address page (source page) to an even address page (target page) or from an even address page (source page) to an odd address page (target page).

## 6. Timing Diagrams

### 6.1 Command Latch Cycle

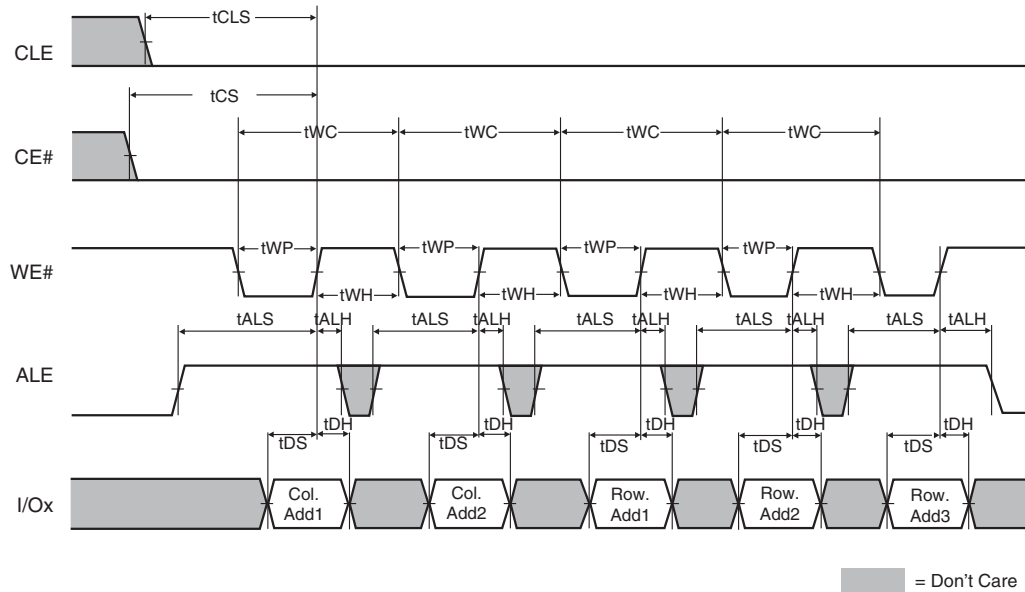
Command Input bus operation is used to give a command to the memory device. Commands are accepted with Chip Enable low, Command Latch Enable High, Address Latch Enable low, and Read Enable High and latched on the rising edge of Write Enable. Moreover for commands that starts a modify operation (write/ erase) the Write Protect pin must be high.



## 6.2 Address Latch Cycle

Address Input bus operation allows the insertion of the memory address. To insert the 27 (x8 Device) addresses needed to access the 1 Gb, four write cycles are needed. Addresses are accepted with Chip Enable low, Address Latch Enable High, Command Latch Enable low, and Read Enable High and latched on the rising edge of Write Enable. Moreover, for commands that start a modify operation (write/ erase) the Write Protect pin must be high.

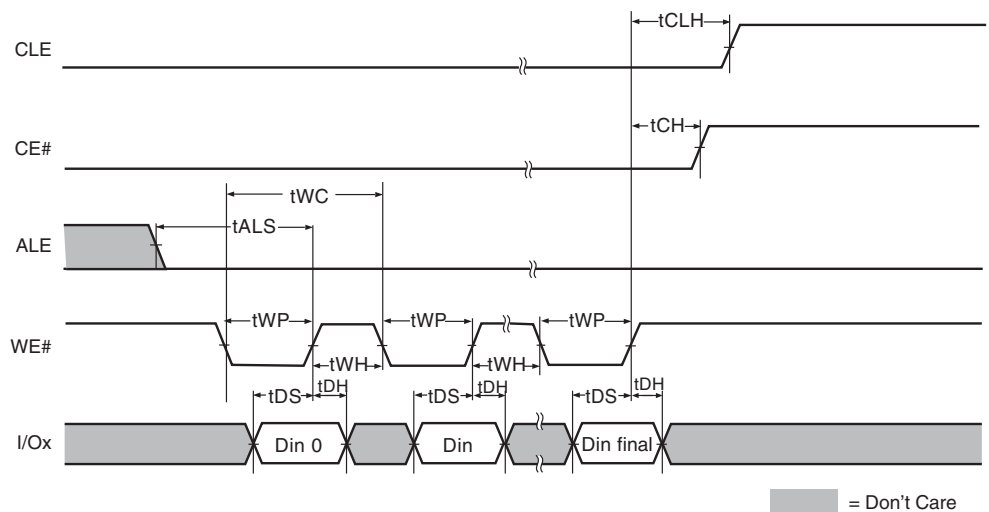
Figure 6.2 Address Latch Cycle



## 6.3 Data Input Cycle Timing

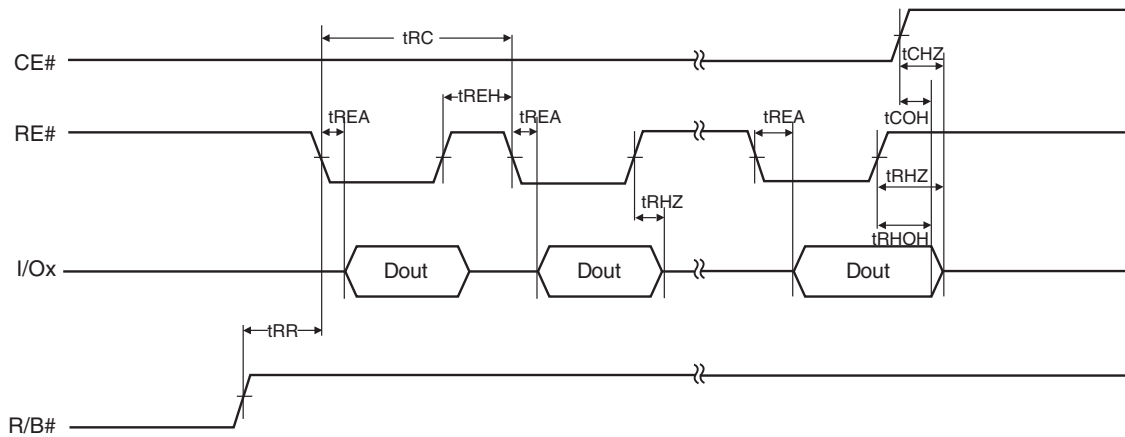
Data Input bus operation allows the data to be programmed to be sent to the device. The data insertion is serially, and timed by the Write Enable cycles. Data is accepted only with Chip Enable low, Address Latch Enable low, Command Latch Enable low, Read Enable High, and Write Protect High and latched on the rising edge of Write Enable.

Figure 6.3 Input Data Latch Cycle



## 6.4 Data Output Cycle Timing (CLE=L, WE#=H, ALE=L, WP#=H)

Figure 6.4 Data Output Cycle Timing

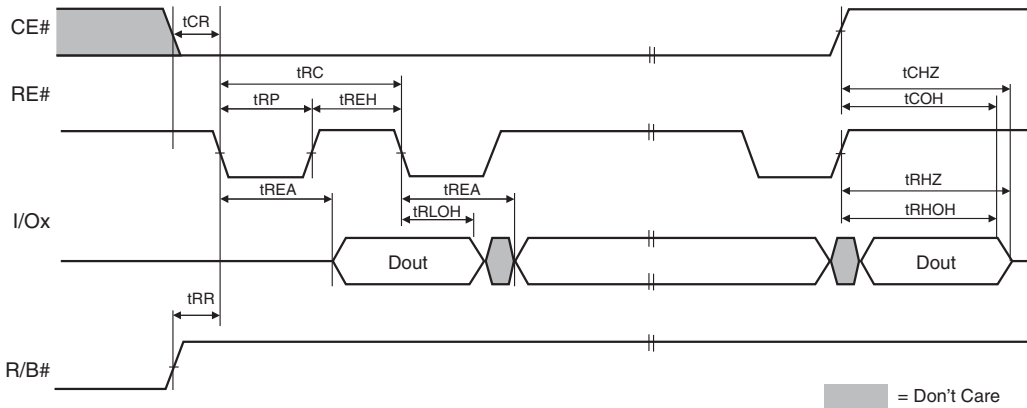


**Notes:**

1. Transition is measured at  $\pm 200$  mV from steady state voltage with load.
2. This parameter is sampled and not 100% tested.
3.  $t_{RHOH}$  starts to be valid when frequency is lower than 33 MHz.

## 6.5 Data Output Cycle Timing (EDO Type, CLE=L, WE#=H, ALE=L)

Figure 6.5 Data Output Cycle Timing (EDO)

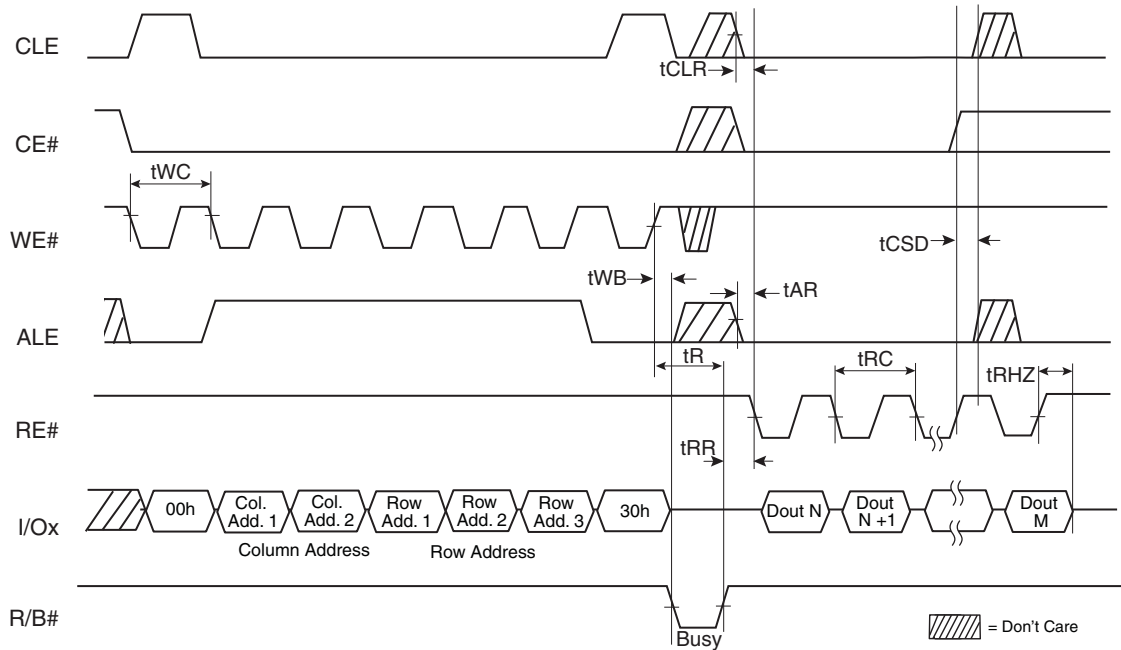


**Notes:**

1. Transition is measured at  $\pm 200$  mV from steady state voltage with load.
2. This parameter is sampled and not 100% tested.
3.  $t_{RLOH}$  is valid when frequency is higher than 33 MHz.
4.  $t_{RHOH}$  starts to be valid when frequency is lower than 33 MHz.

## 6.6 Page Read Operation

Figure 6.6 Page Read Operation (Read One Page)

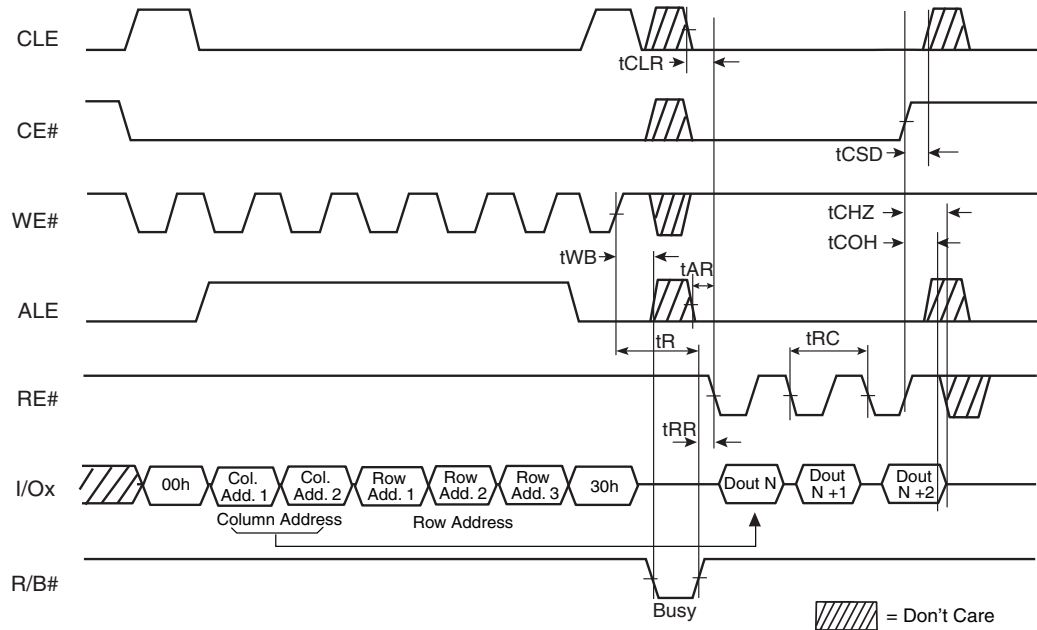


**Note:**

1. If Status Register polling is used to determine completion of the read operation, the Read Command (00h) must be issued before data can be read from the page buffer.

## 6.7 Page Read Operation (Interrupted by CE#)

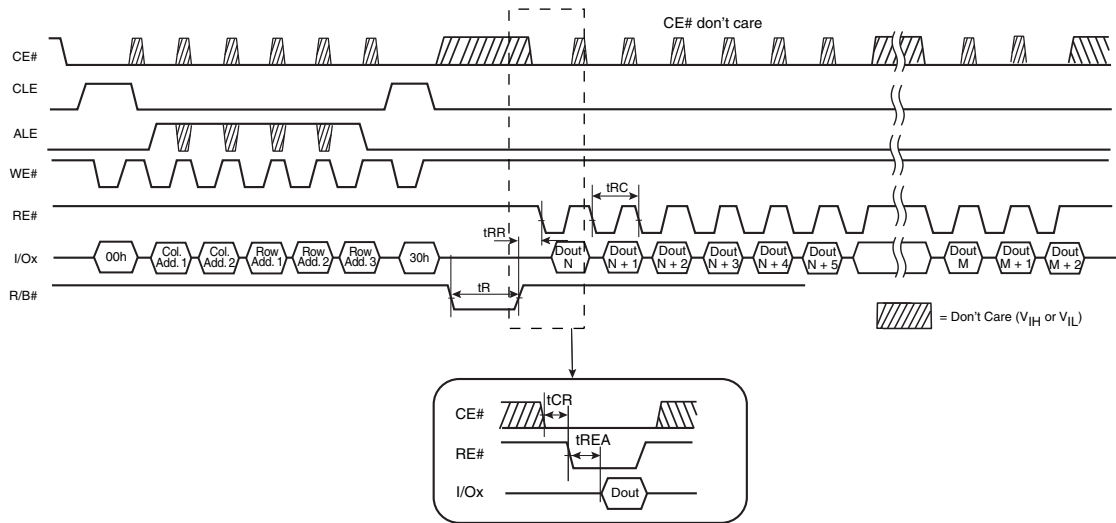
Figure 6.7 Page Read Operation Interrupted by CE#





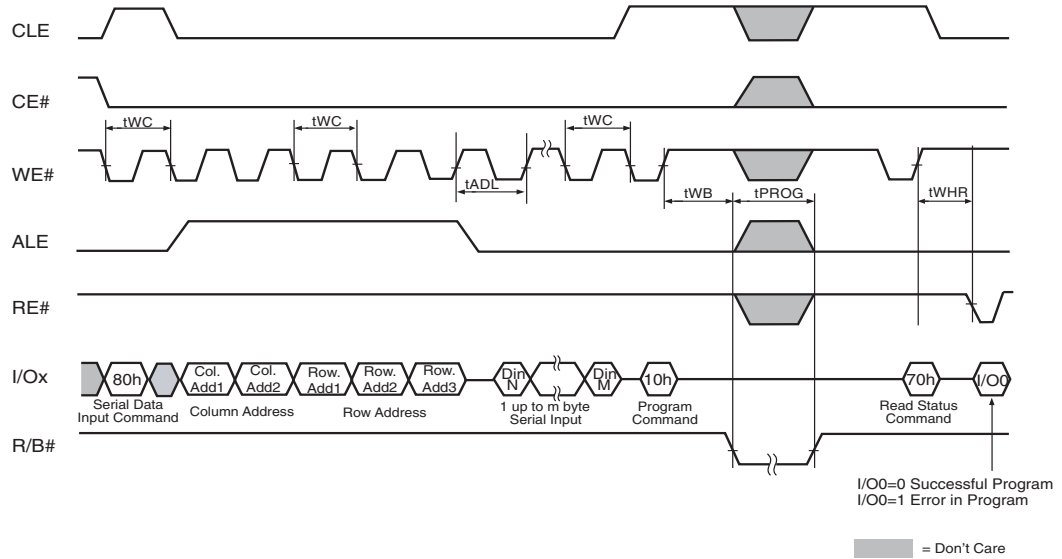
## 6.8 Page Read Operation Timing with CE# Don't Care

Figure 6.8 Page Read Operation Timing with CE# Don't Care



## 6.9 Page Program Operation

Figure 6.9 Page Program Operation

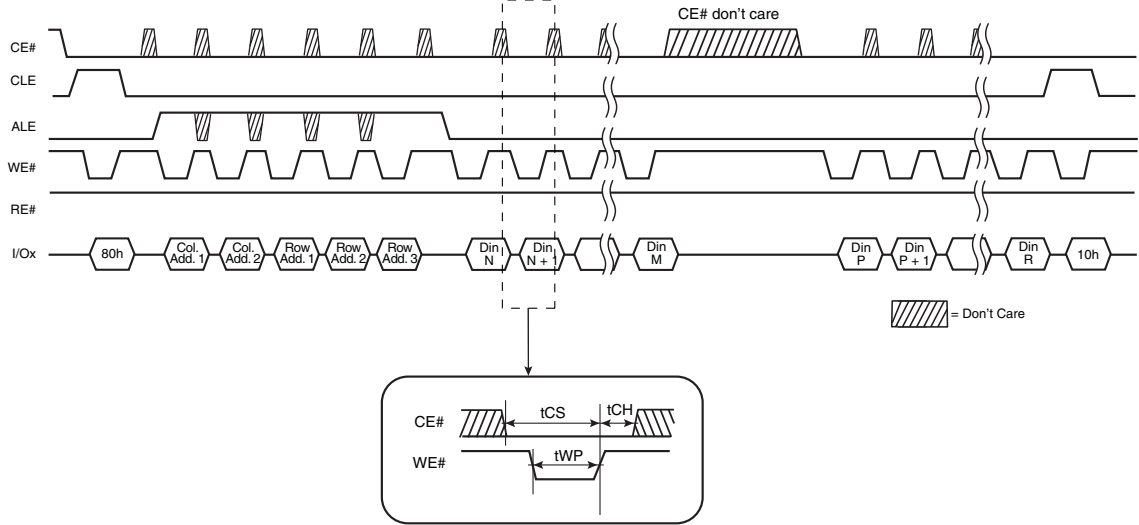


**Note:**

1.  $t_{ADL}$  is the time from the WE# rising edge of final address cycle to the WE# rising edge of first data cycle.

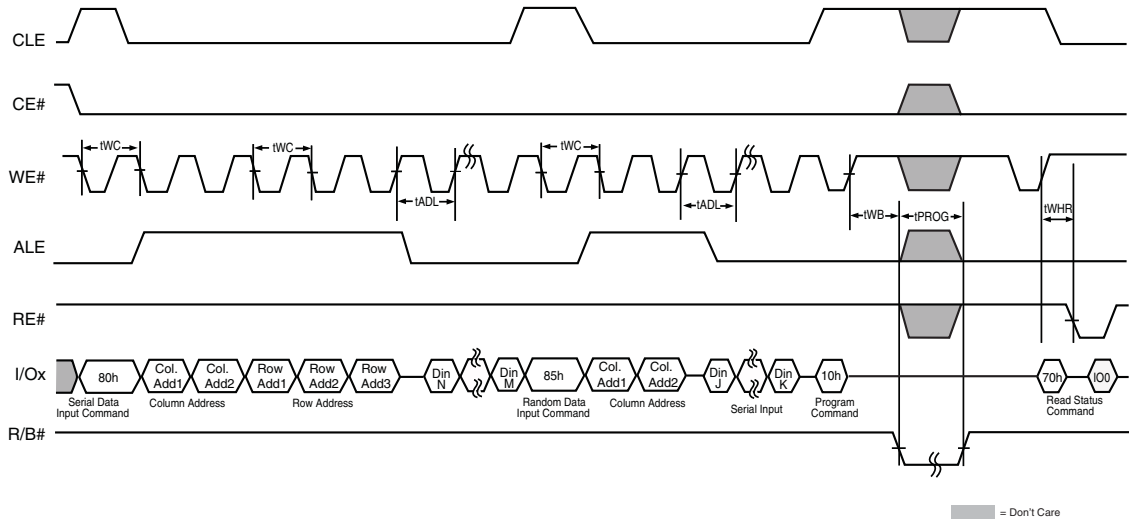
### 6.10 Page Program Operation Timing with CE# Don't Care

Figure 6.10 Page Program Operation Timing with CE# Don't Care



### 6.11 Page Program Operation with Random Data Input

Figure 6.11 Random Data Input

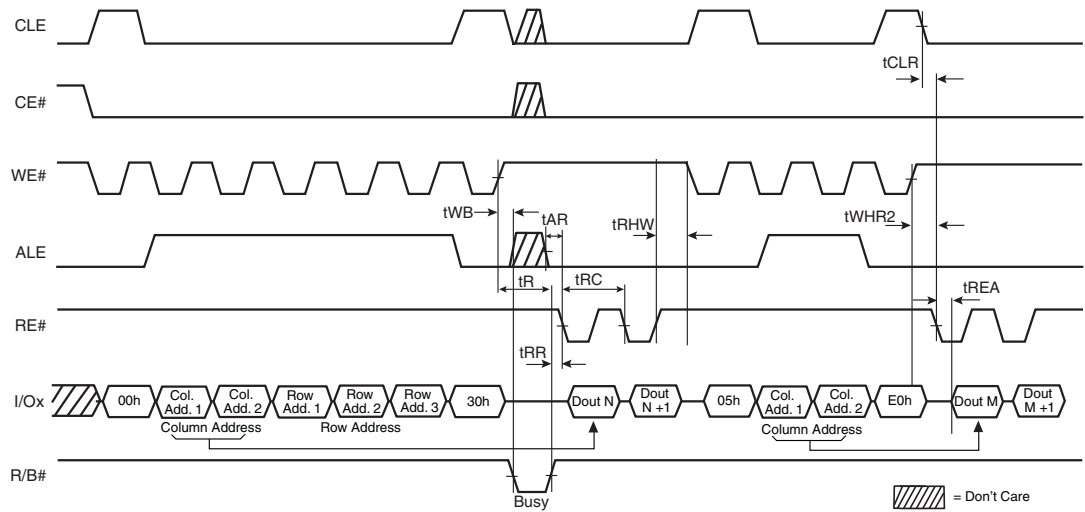


**Note:**

1.  $t_{ADL}$  is the time from the WE# rising edge of final address cycle to the WE# rising edge of first data cycle.

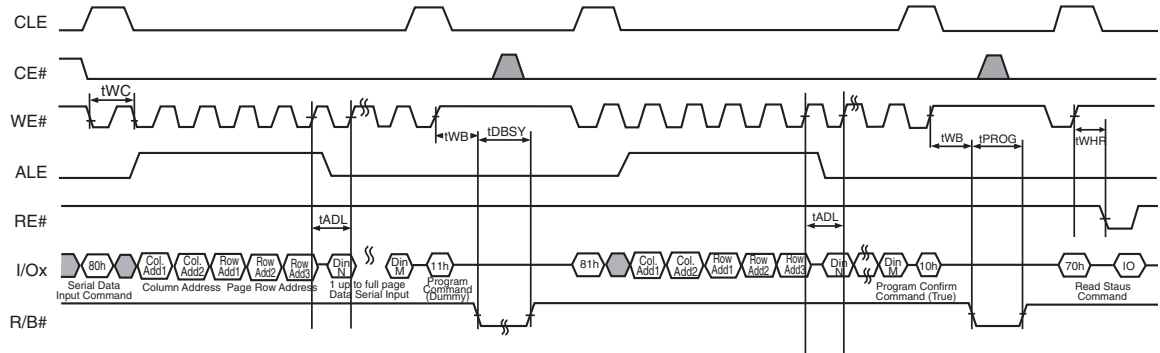
## 6.12 Random Data Output In a Page

Figure 6.12 Random Data Output

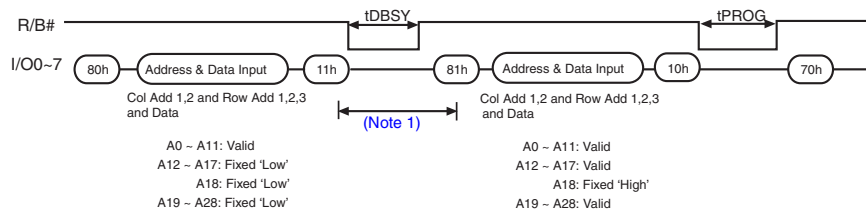


## 6.13 Multiplane Page Program Operation — S34ML02G2 and S34ML04G2

Figure 6.13 Multiplane Page Program



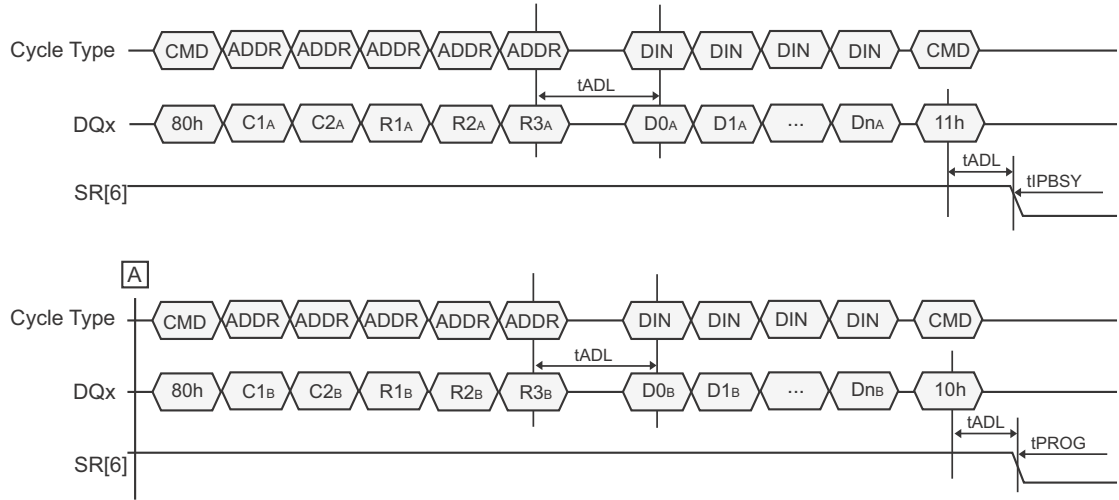
Ex.) Address Restriction for Multiplane Page Program



**Notes:**

1. Any command between 11h and 81h is prohibited except 70h, 78h, and FFh.
2. A18 is the plane address bit for x8 devices. A17 is the plane address bit for x16 devices.

**Figure 6.14 Multiplane Page Program (ONFI 1.0 Protocol)**

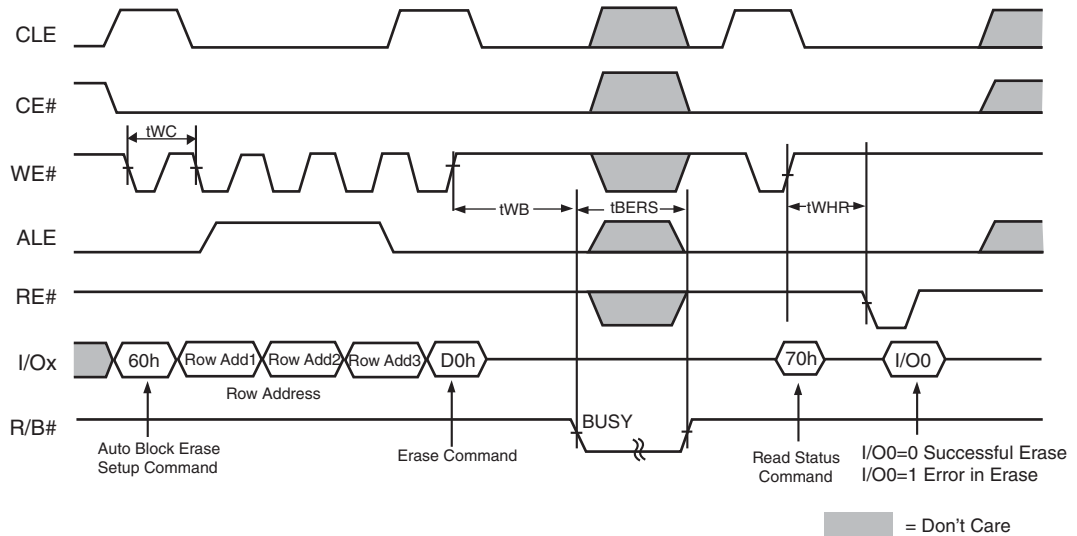


**Notes:**

1. C1A-C2A Column address for page A. C1A is the least significant byte.
2. R1A-R3A Row address for page A. R1A is the least significant byte.
3. D0A-DnA Data to program for page A.
4. C1B-C2B Column address for page B. C1B is the least significant byte.
5. R1B-R3B Row address for page B. R1B is the least significant byte.
6. D0B-DnB Data to program for page B.
7. The block address bits must be the same except for the bit(s) that select the plane.

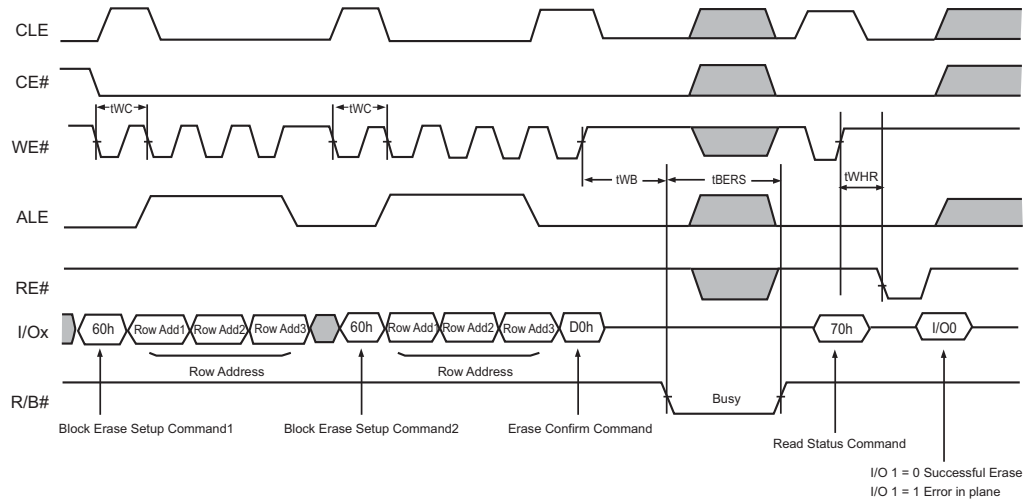
## 6.14 Block Erase Operation

**Figure 6.15 Block Erase Operation (Erase One Block)**

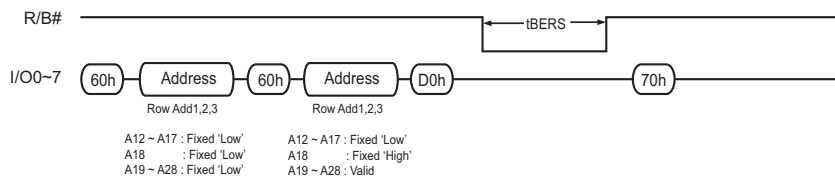


## 6.15 Multiplane Block Erase — S34ML02G2 and S34ML04G2

Figure 6.16 Multiplane Block Erase



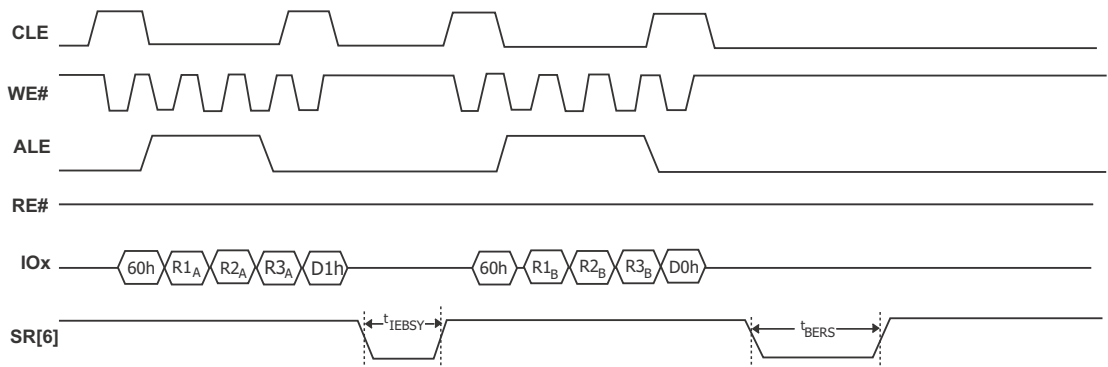
Ex.) Address Restriction for Multiplane Block Erase Operation



**Note:**

1. A18 is the plane address bit for x8 devices. A17 is the plane address bit for x16 devices.

Figure 6.17 Multiplane Block Erase (ONFI 1.0 Protocol)

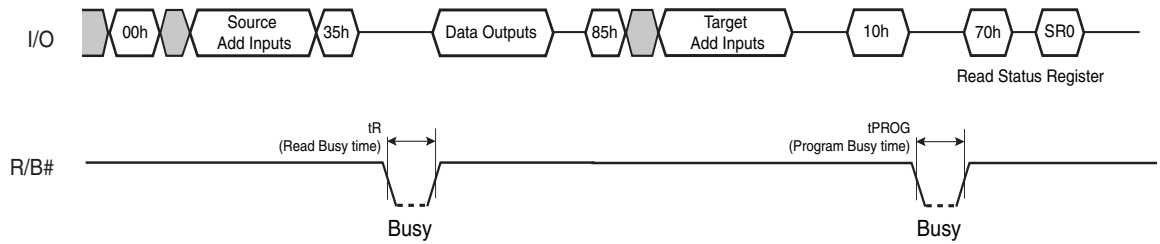


**Notes:**

1. R1A-R3A Row address for block on plane 0. R1A is the least significant byte.
2. R1B-R3B Row address for block on plane 1. R1B is the least significant byte.
3. The block address bits must be the same except for the bit(s) that select the plane.

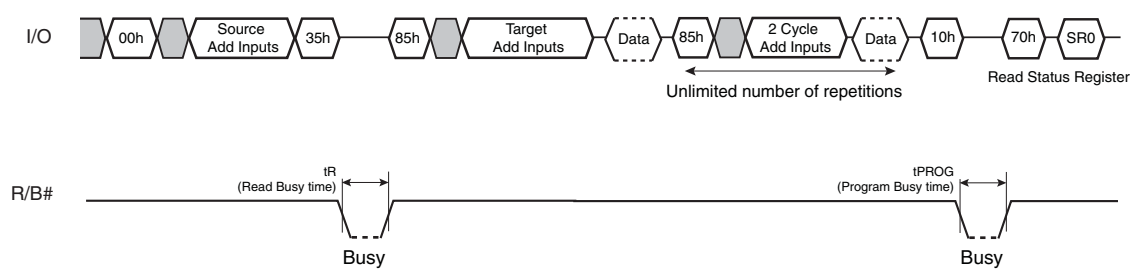
## 6.16 Copy Back Read with Optional Data Readout

**Figure 6.18** Copy Back Read with Optional Data Readout



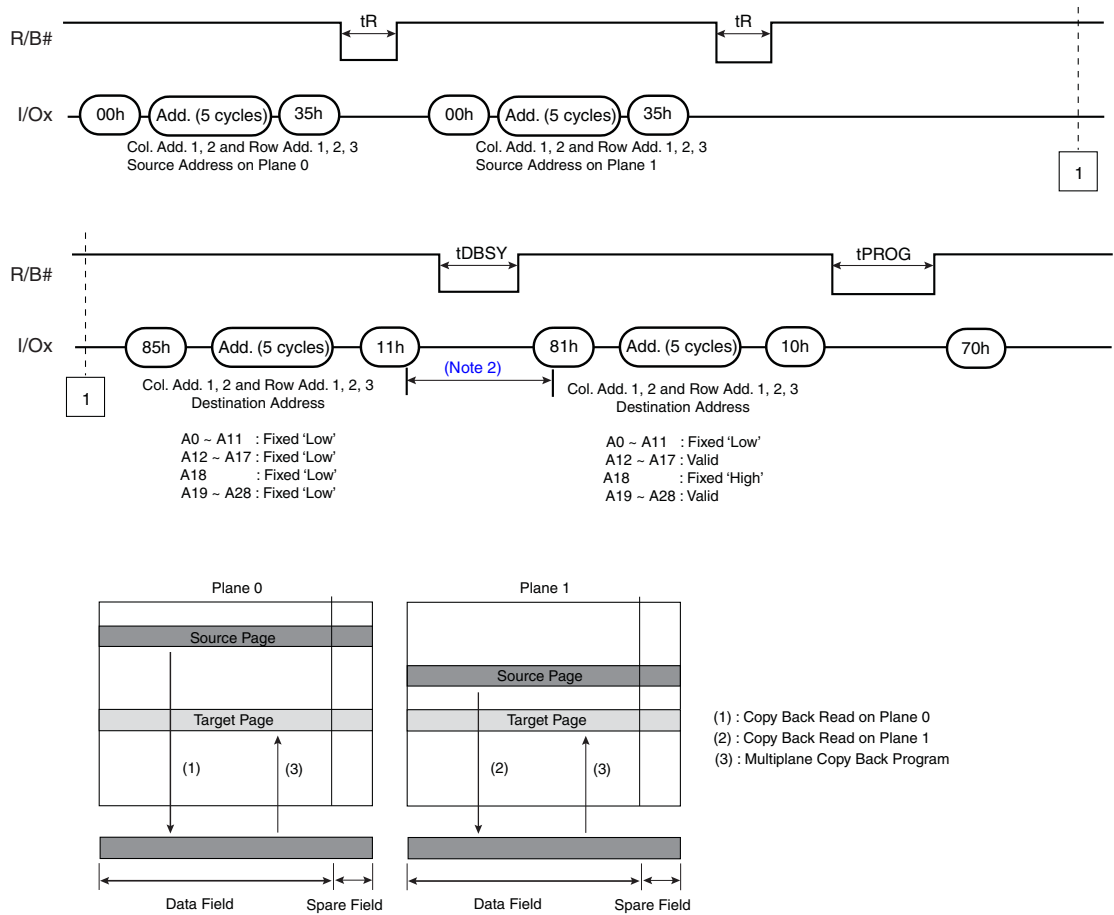
## 6.17 Copy Back Program Operation With Random Data Input

**Figure 6.19** Copy Back Program with Random Data Input



## 6.18 Multiplane Copy Back Program — S34ML02G2 and S34ML04G2

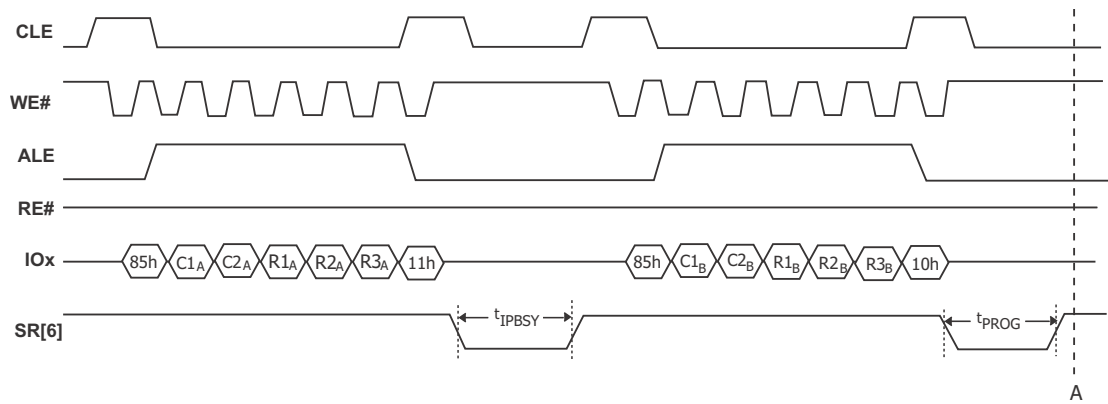
Figure 6.20 Multiplane Copy Back Program



**Notes:**

1. Copy Back Program operation is allowed only within the same memory plane.
2. Any command between 11h and 81h is prohibited except 70h, 78h, and FFh.
3. A18 is the plane address bit for x8 devices. A17 is the plane address bit for x16 devices.

**Figure 6.21** Multiplane Copy Back Program (ONFI 1.0 Protocol)

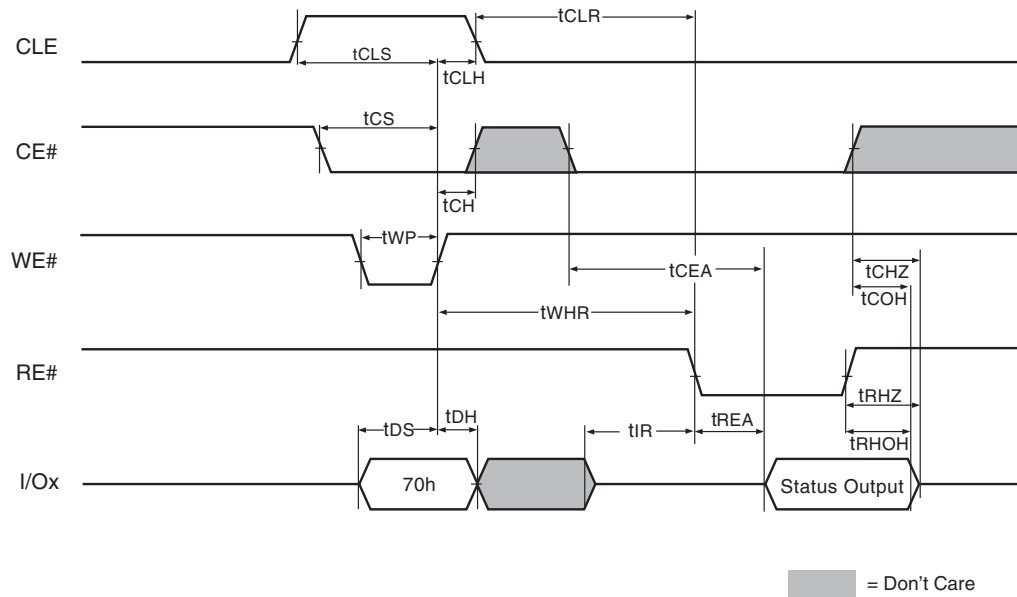


**Notes:**

1. C1A-C2A Column address for page A. C1A is the least significant byte.
2. R1A-R3A Row address for page A. R1A is the least significant byte.
3. C1B-C2B Column address for page B. C1B is the least significant byte.
4. R1B-R3B Row address for page B. R1B is the least significant byte.
5. The block address bits must be the same except for the bit(s) that select the plane.

## 6.19 Read Status Register Timing

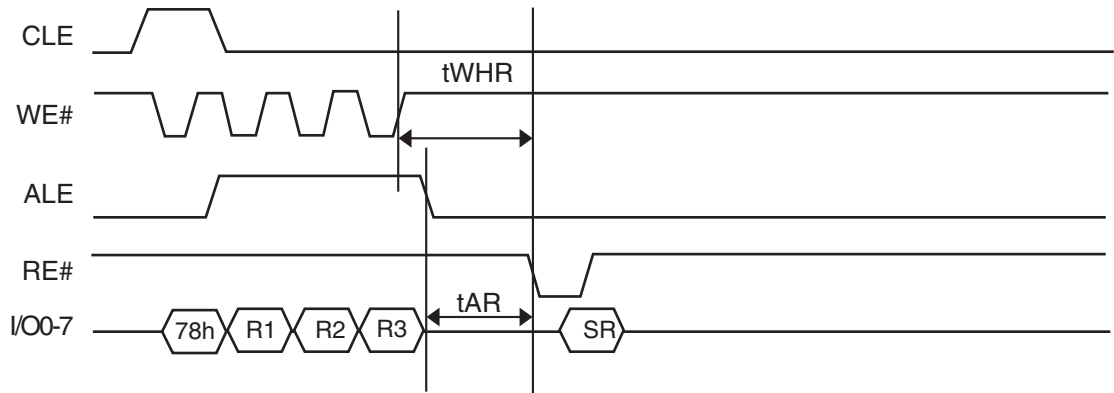
**Figure 6.22** Read Status Cycle





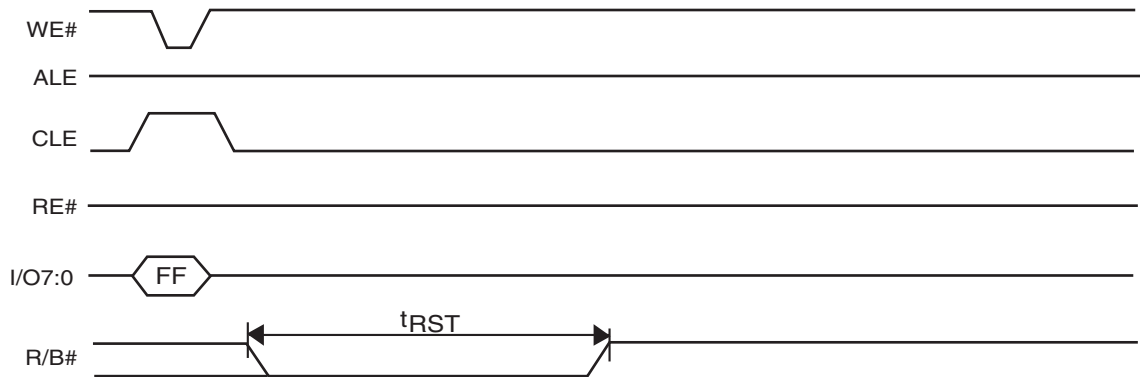
## 6.20 Read Status Enhanced Timing

Figure 6.23 Read Status Enhanced Timing



## 6.21 Reset Operation Timing

Figure 6.24 Reset Operation Timing



## 6.22 Read Cache

Figure 6.25 Read Cache Operation Timing

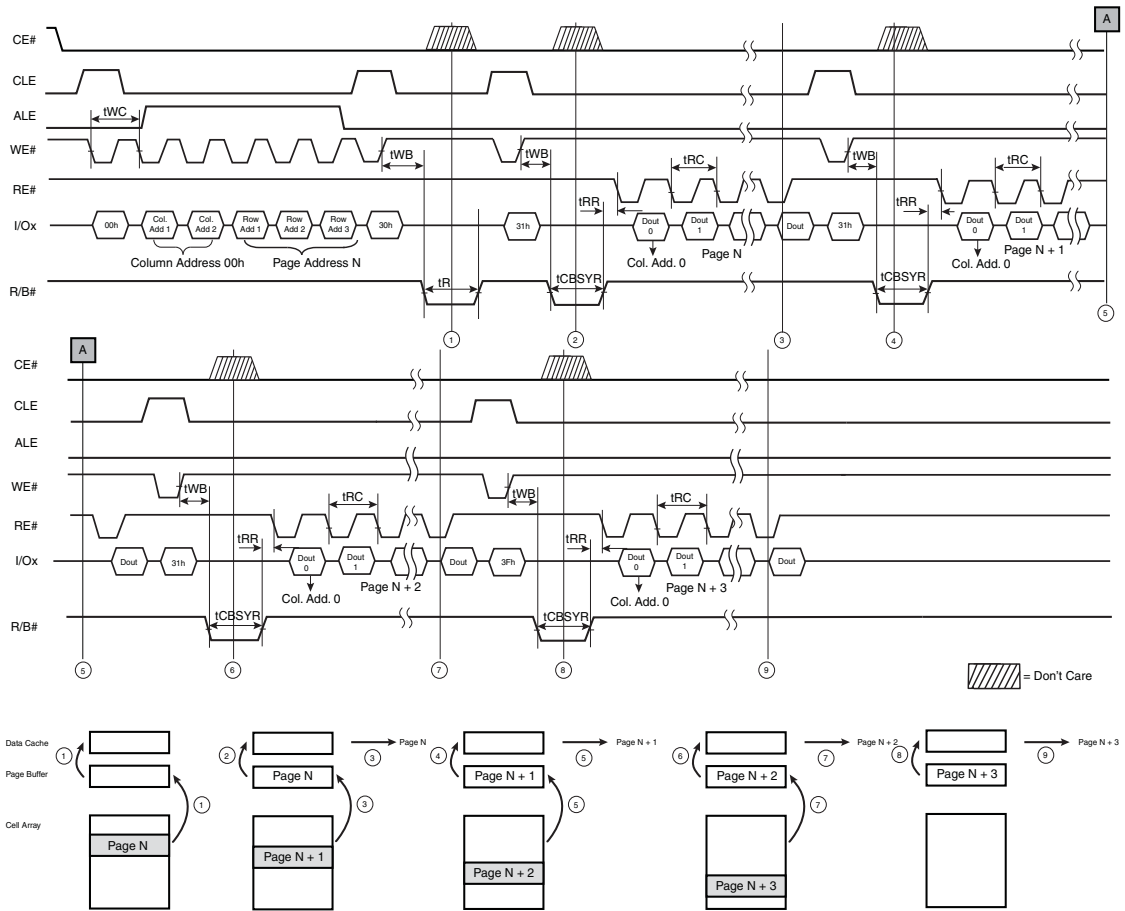
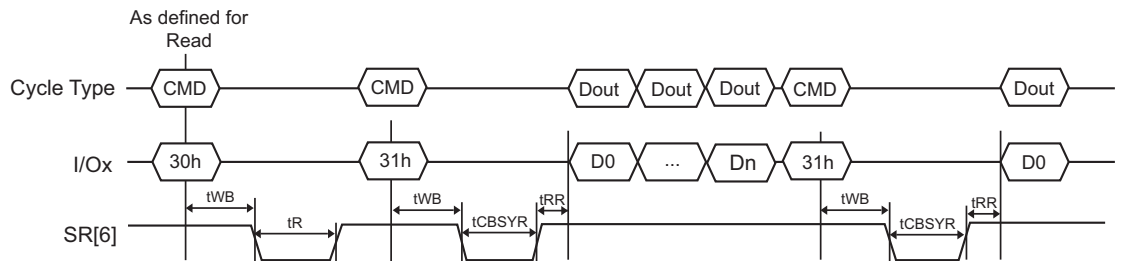
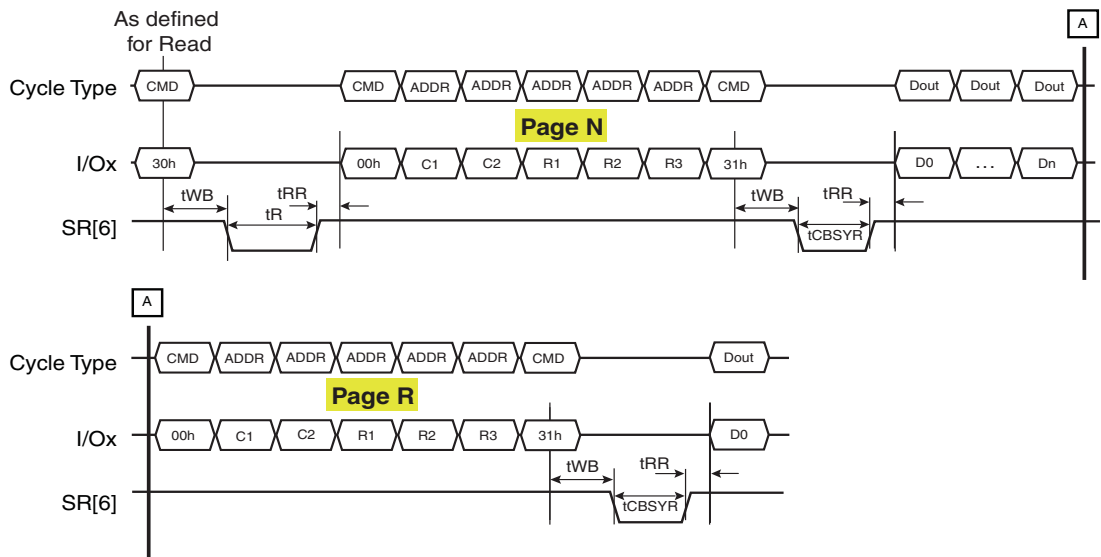


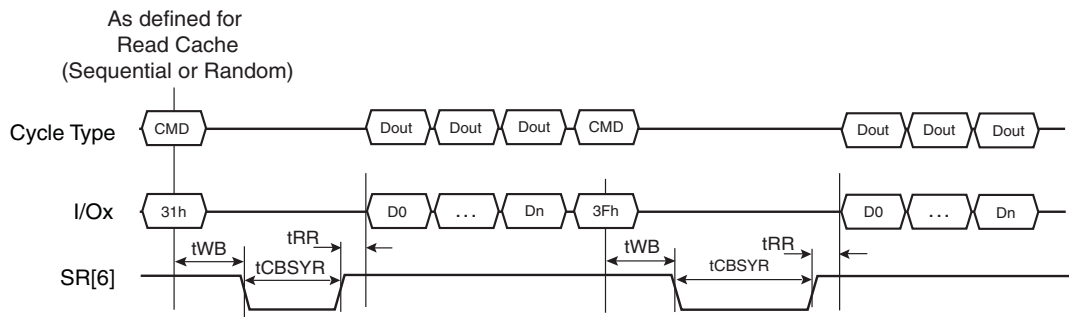
Figure 6.26 “Sequential” Read Cache Timing, Start (and Continuation) of Cache Operation



**Figure 6.27** “Random” Read Cache Timing, Start (and Continuation) of Cache Operation

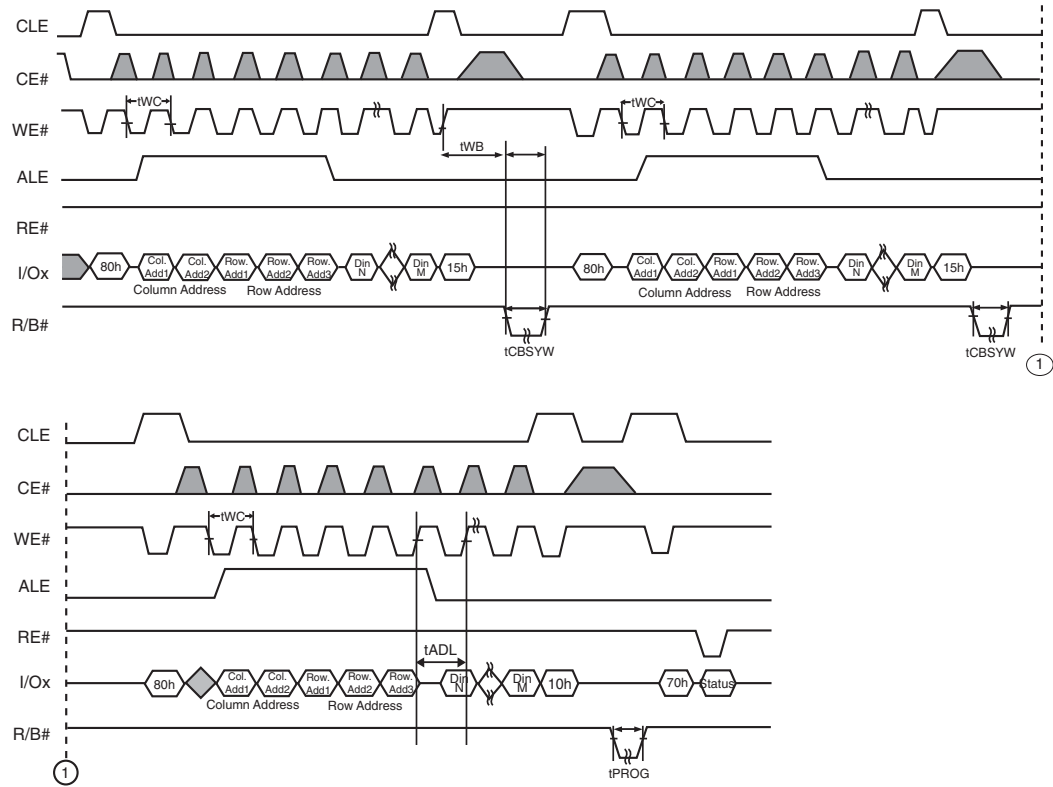


**Figure 6.28** Read Cache Timing, End Of Cache Operation



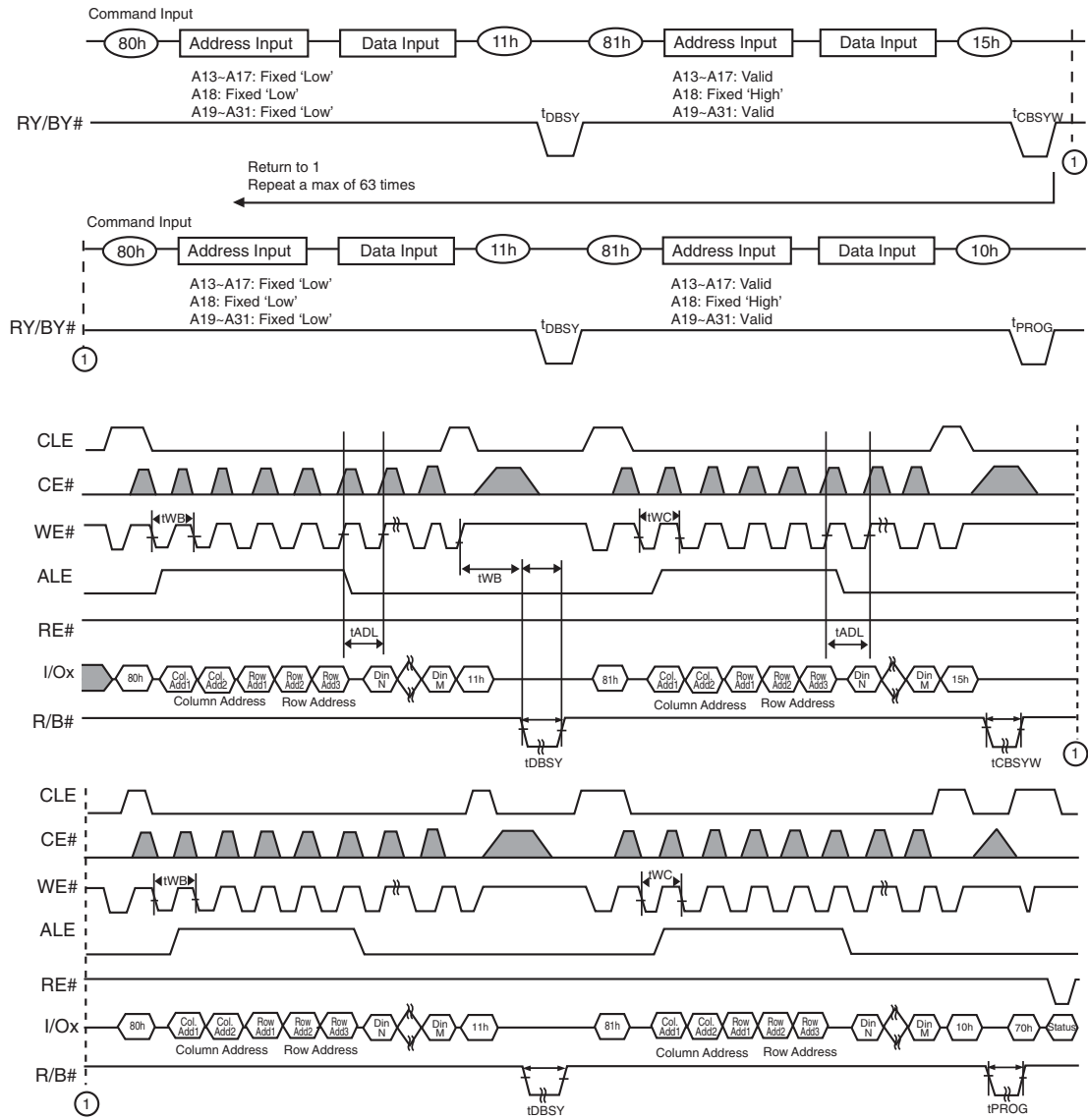
### 6.23 Cache Program

Figure 6.29 Cache Program



## 6.24 Multiplane Cache Program — S34ML02G2 and S34ML04G2

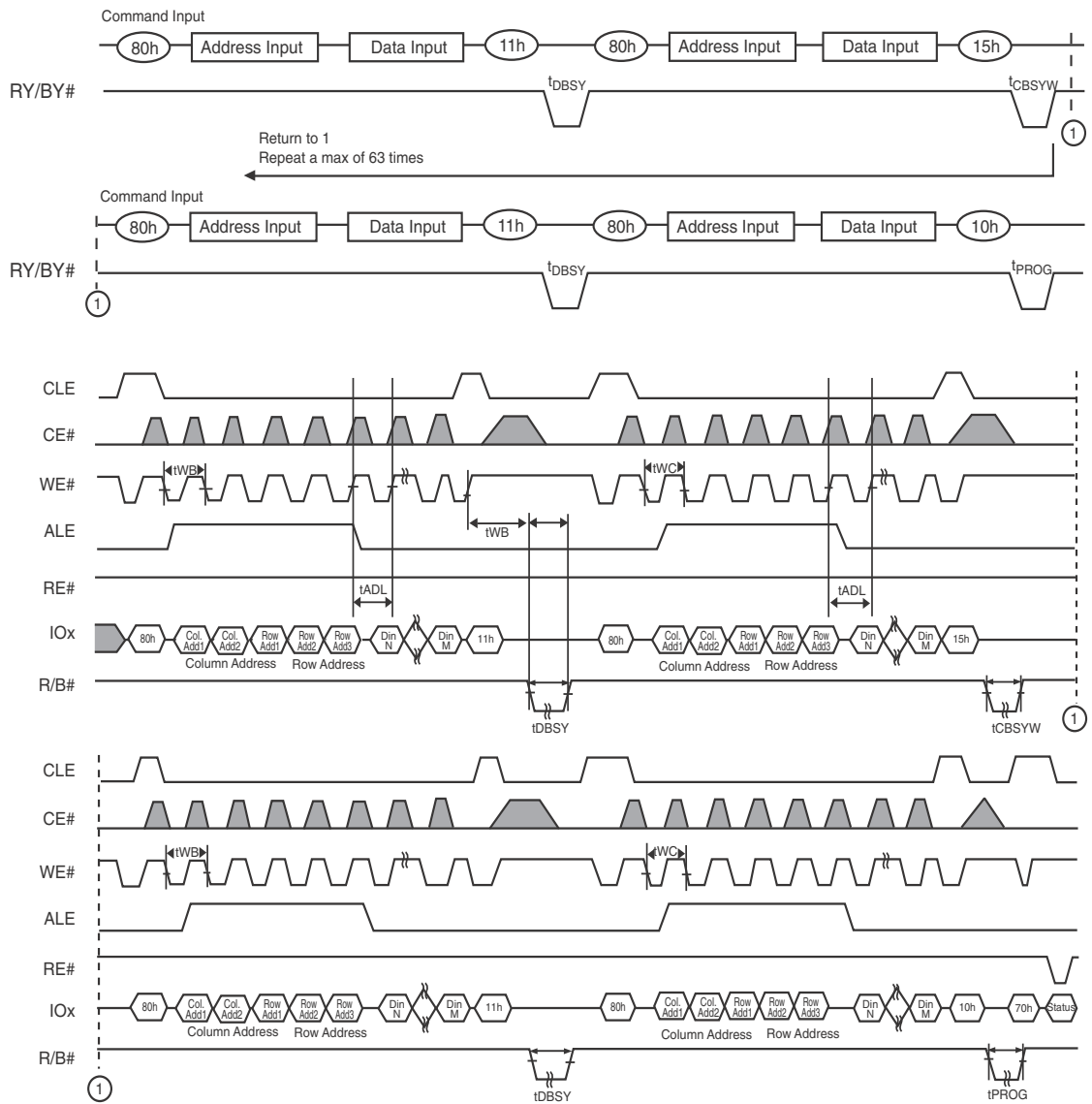
Figure 6.30 Multiplane Cache Program



**Notes:**

1. Read Status Register (70h) is used in the figure. Read Status Enhanced (78h) can be also used.
2. A18 is the plane address bit for x8 devices. A17 is the plane address bit for x16 devices.

**Figure 6.31** Multiplane Cache Program (ONFI 1.0 Protocol)

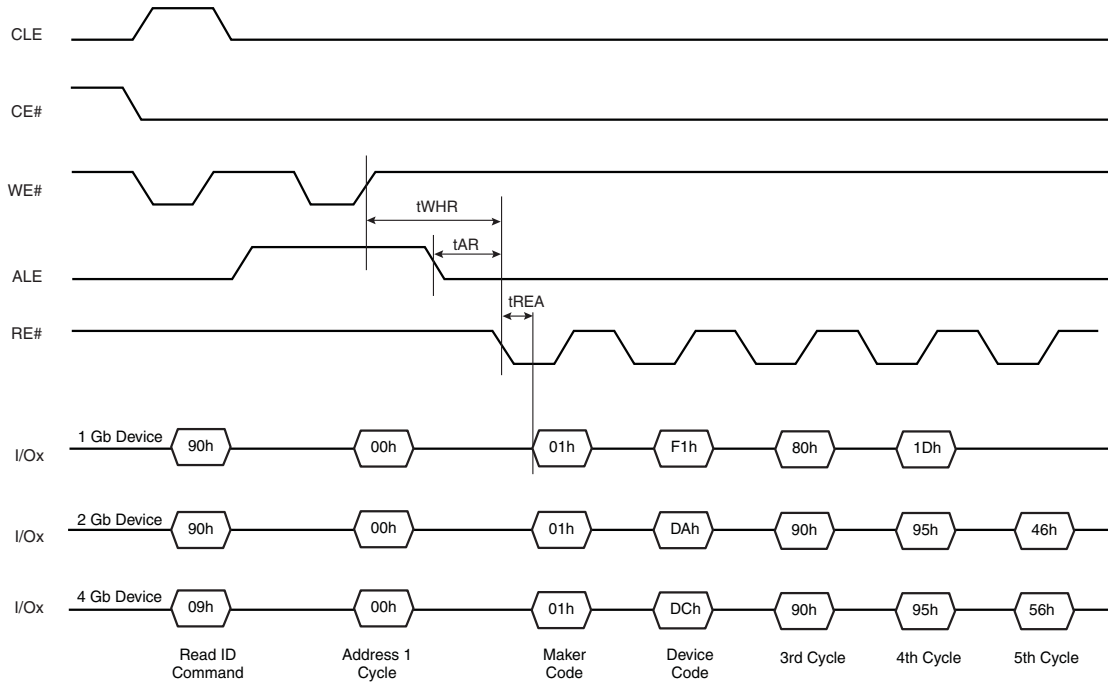


**Notes:**

1. The block address bits must be the same except for the bit(s) that select the plane.
2. Read Status register (70h) is used in the figure. Read Status Enhanced (78h) can be also used.

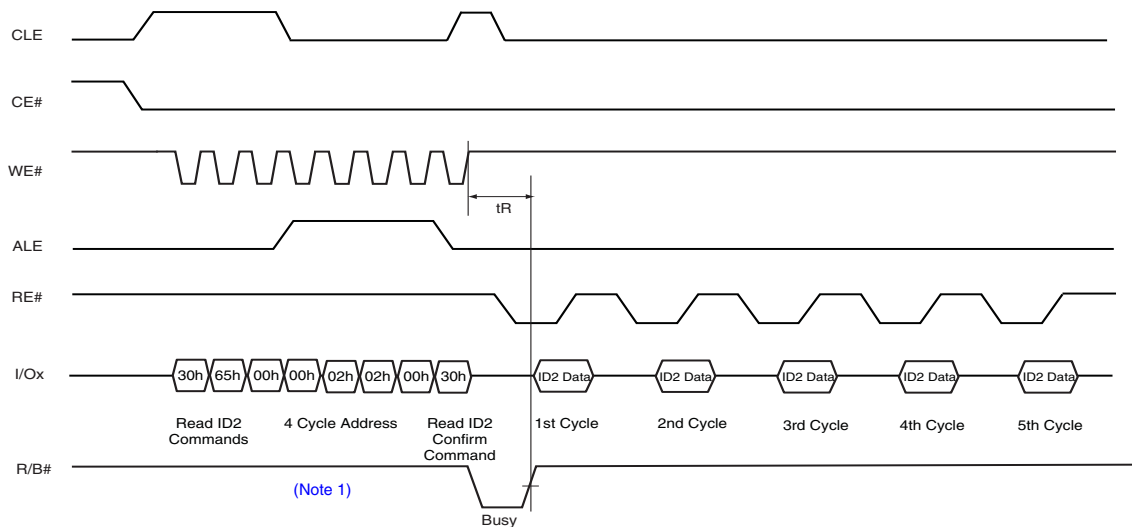
## 6.25 Read ID Operation Timing

Figure 6.32 Read ID Operation Timing



## 6.26 Read ID2 Operation Timing

Figure 6.33 Read ID2 Operation Timing

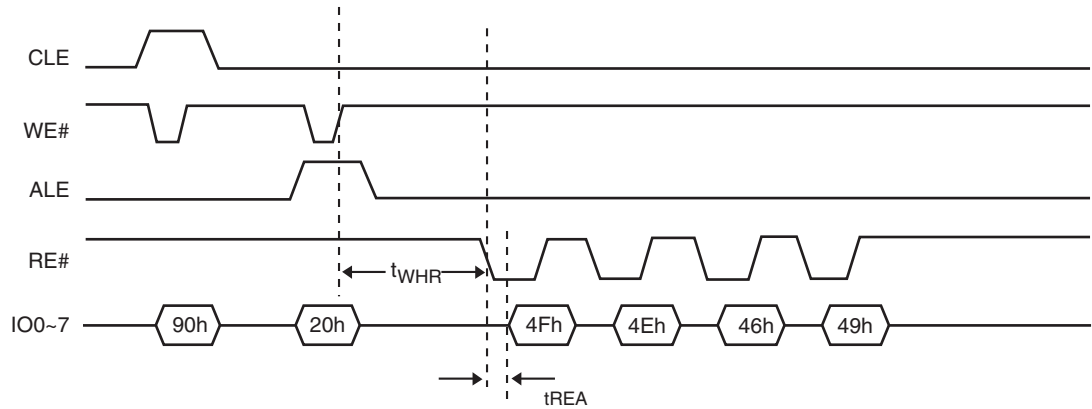


**Notes:**

- 4-cycle address is shown for the S34ML01G2. For S34ML02G2 and S34ML04G2, insert an additional address cycle of 00h.
- If Status Register polling is used to determine completion of the Read ID2 operation, the Read Command (00h) must be issued before ID2 data can be read from the flash.

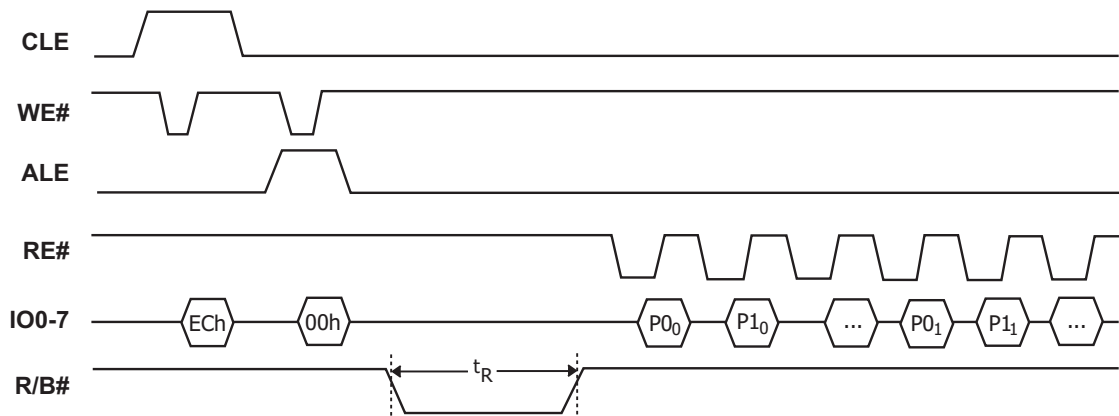
## 6.27 Read ONFI Signature Timing

Figure 6.34 ONFI Signature Timing



## 6.28 Read Parameter Page Timing

Figure 6.35 Read Parameter Page Timing



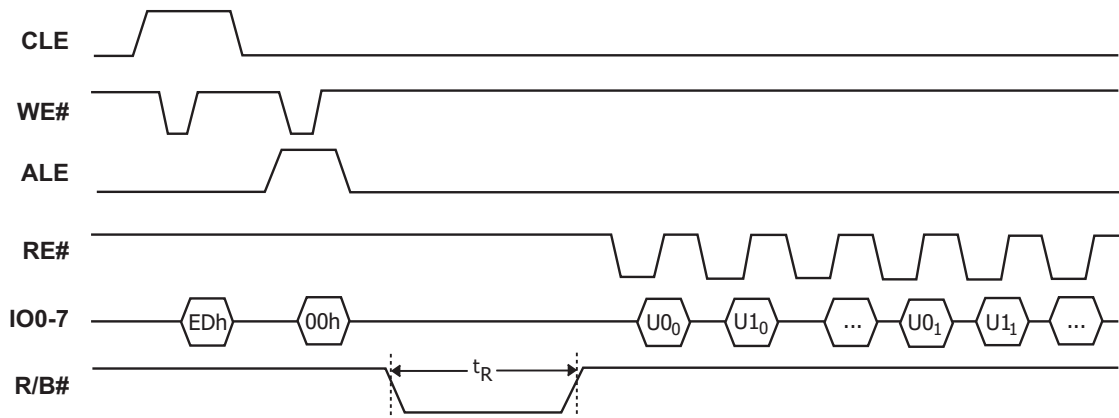
**Note:**

1. If Status Register polling is used to determine completion of the read operation, the Read Command (00h) must be issued before data can be read from the page buffer.



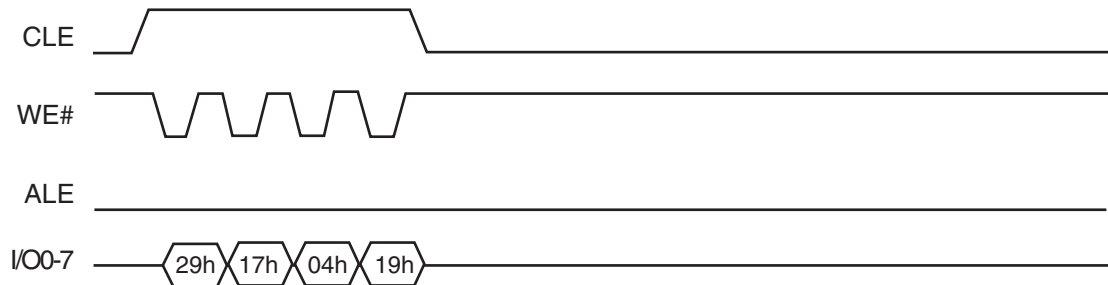
### 6.29 Read Unique ID Timing (Contact Factory)

Figure 6.36 Read Unique ID Timing



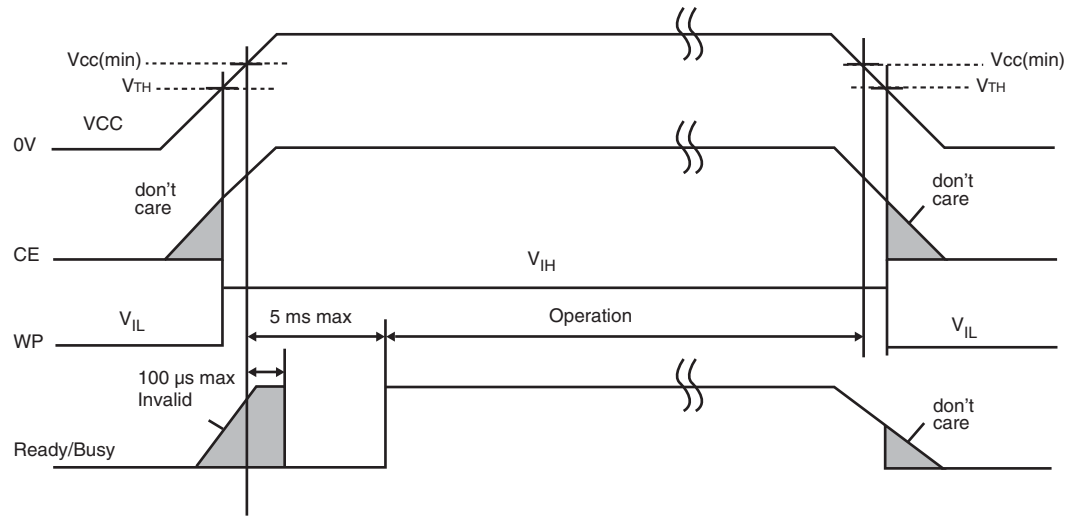
### 6.30 OTP Entry Timing

Figure 6.37 OTP Entry Timing



### 6.31 Power On and Data Protection Timing

Figure 6.38 Power On and Data Protection Timing



**Note:**  
1.  $V_{TH} = 1.8$  Volts.

### 6.32 WP# Handling

Figure 6.39 Program Enabling / Disabling Through WP# Handling

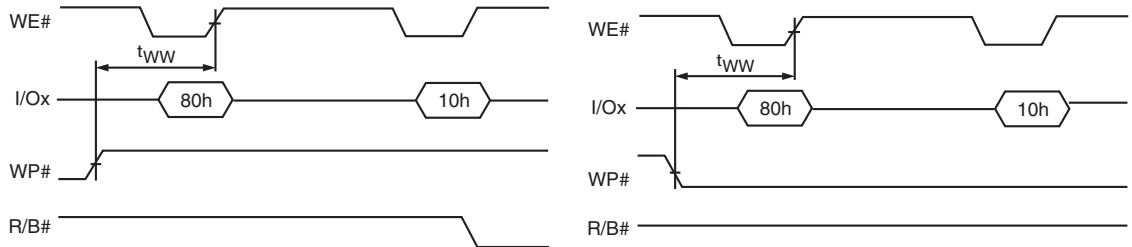
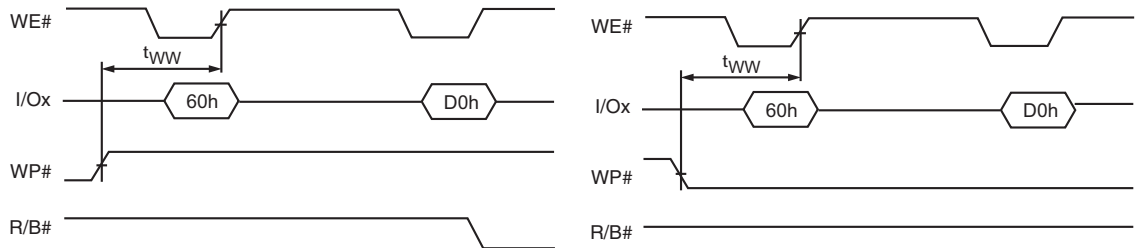


Figure 6.40 Erase Enabling / Disabling Through WP# Handling

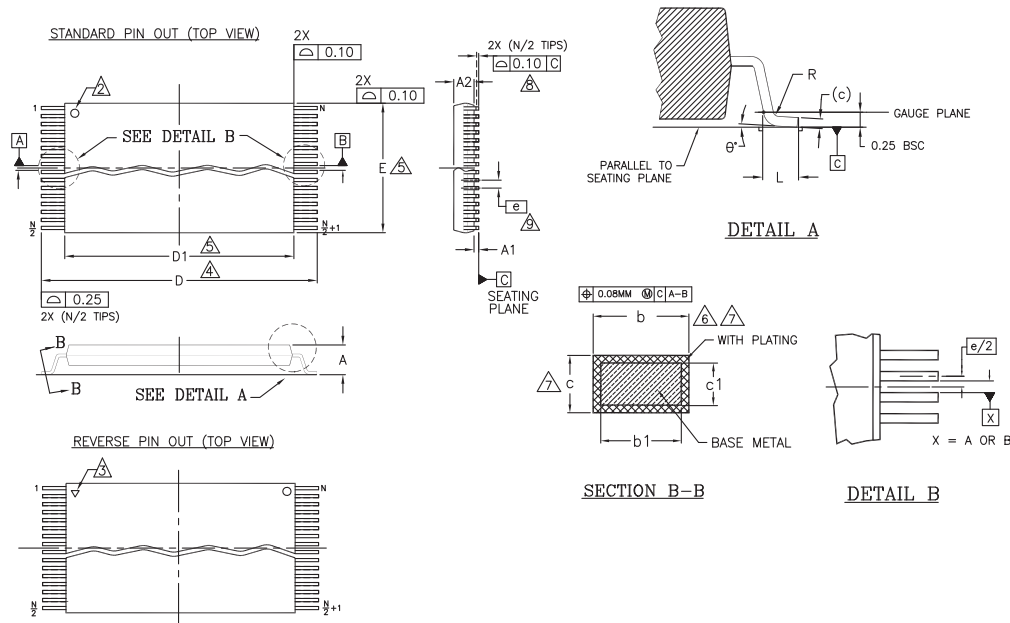


## 7. Physical Interface

### 7.1 Physical Diagram

#### 7.1.1 48-Pin Thin Small Outline Package (TSOP1)

Figure 7.1 TS/TSR 48 — 48-lead Plastic Thin Small Outline, 12 x 20 mm, Package Outline



| PACKAGE | TS/TSR 48     |       |       |
|---------|---------------|-------|-------|
| JEDEC   | MO-142 (D) DD |       |       |
| SYMBOL  | MIN           | NOM   | MAX   |
| A       | ---           | ---   | 1.20  |
| A1      | 0.05          | ---   | 0.15  |
| A2      | 0.95          | 1.00  | 1.05  |
| b1      | 0.17          | 0.20  | 0.23  |
| b       | 0.17          | 0.22  | 0.27  |
| c1      | 0.10          | ---   | 0.16  |
| c       | 0.10          | ---   | 0.21  |
| D       | 19.80         | 20.00 | 20.20 |
| D1      | 18.30         | 18.40 | 18.50 |
| E       | 11.90         | 12.00 | 12.10 |
| e       | 0.50 BASIC    |       |       |
| L       | 0.50          | 0.60  | 0.70  |
| θ       | 0°            | ---   | 8     |
| R       | 0.08          | ---   | 0.20  |
| N       | 48            |       |       |

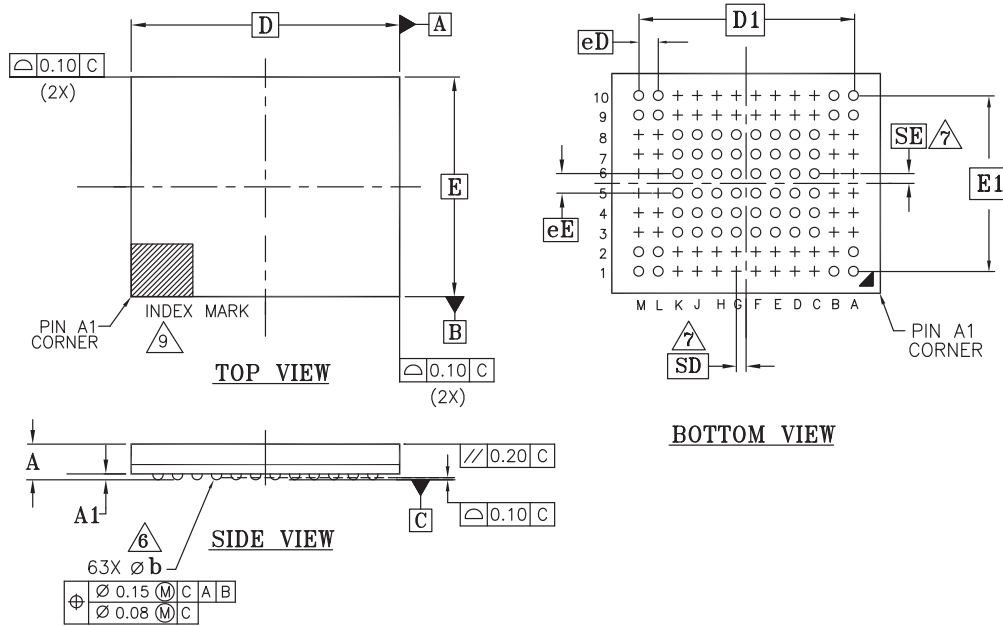
NOTES:

1. DIMENSIONS ARE IN MILLIMETERS (mm). (DIMENSIONING AND TOLERANCING CONFORM TO ANSI Y14.5M-1994).
2. PIN 1 IDENTIFIER FOR STANDARD PIN OUT (DIE UP).
3. PIN 1 IDENTIFIER FOR REVERSE PIN OUT (DIE DOWN): INK OR LASER MARK.
4. TO BE DETERMINED AT THE SEATING PLANE [C-C]. THE SEATING PLANE IS DEFINED AS THE PLANE OF CONTACT THAT IS MADE WHEN THE PACKAGE LEADS ARE ALLOWED TO REST FREELY ON A FLAT HORIZONTAL SURFACE.
5. DIMENSIONS D1 AND E DO NOT INCLUDE MOLD PROTRUSION. ALLOWABLE MOLD PROTRUSION ON E IS 0.15mm PER SIDE AND ON D1 IS 0.25mm PER SIDE.
6. DIMENSION b DOES NOT INCLUDE DAMBAR PROTRUSION. ALLOWABLE DAMBAR PROTRUSION SHALL BE 0.08mm TOTAL IN EXCESS OF b DIMENSION AT MAX. MATERIAL CONDITION. DAMBAR CANNOT BE LOCATED ON LOWER RADIUS OR THE FOOT. MINIMUM SPACE BETWEEN PROTRUSION AND AN ADJACENT LEAD TO BE 0.07mm.
7. THESE DIMENSIONS APPLY TO THE FLAT SECTION OF THE LEAD BETWEEN 0.10mm AND 0.25mm FROM THE LEAD TIP.
8. LEAD COPLANARITY SHALL BE WITHIN 0.10mm AS MEASURED FROM THE SEATING PLANE.
9. DIMENSION "e" IS MEASURED AT THE CENTERLINE OF THE LEADS.

5006 \ f16-038 \ 6.5.13

### 7.1.2 63-Ball, Ball Grid Array (BGA)

Figure 7.2 VBM063 — 63-Pin BGA, 11 mm x 9 mm Package



| PACKAGE | VBM 063  |      |      |                          |
|---------|--|------|------|--------------------------|
| JEDEC   | M0-207(M)  |      |      |                          |
|         | 11.00 mm x 9.00 mm NOM PACKAGE   |      |      |                          |
| SYMBOL  | MIN  | NOM  | MAX  | NOTE                     |
| A       | ---  | ---  | 1.00 | PROFILE                  |
| A1      | 0.25   | ---  | ---  | BALL HEIGHT              |
| D       | 11.00 BSC.   |      |      | BODY SIZE                |
| E       | 9.00 BSC.  |      |      | BODY SIZE                |
| D1      | 8.80 BSC.  |      |      | MATRIX FOOTPRINT         |
| E1      | 7.20 BSC.  |      |      | MATRIX FOOTPRINT         |
| MD      | 12   |      |      | MATRIX SIZE D DIRECTION  |
| ME      | 10   |      |      | MATRIX SIZE E DIRECTION  |
| n       | 63   |      |      | BALL COUNT               |
| Ø b     | 0.40   | 0.45 | 0.50 | BALL DIAMETER            |
| eE      | 0.80 BSC.  |      |      | BALL PITCH               |
| eD      | 0.80 BSC.  |      |      | BALL PITCH               |
| SD      | 0.40 BSC.  |      |      | SOLDER BALL PLACEMENT    |
| SE      | 0.40 BSC.  |      |      | SOLDER BALL PLACEMENT    |
|         | A3-A8, B2-B8, C1, C2, C9, C10, D1, D2, D9, D10, E1, E2, E9, E10, F1, F2, F9, F10, G1, G2, G9, G10, H1, H2, H9, H10, J1, J2, J9, J10, K1, K2, K9, K10, L3-L8, M3-M8 |      |      | DEPOPULATED SOLDER BALLS |

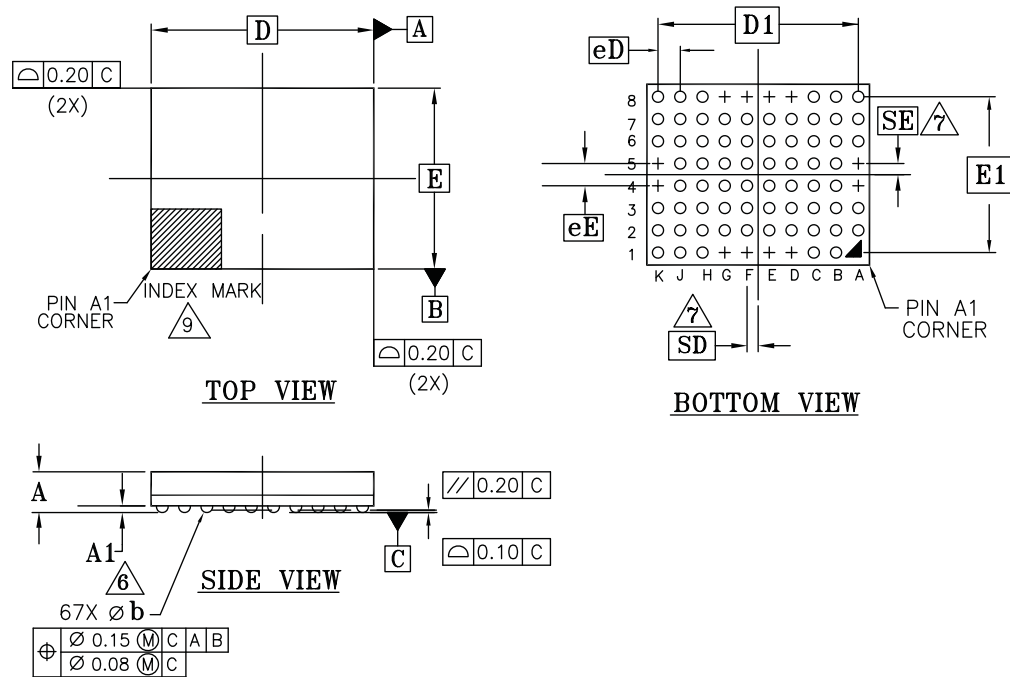
NOTES:

- DIMENSIONING AND TOLERANCING METHODS PER ASME Y14.5M-1994.
- ALL DIMENSIONS ARE IN MILLIMETERS.
- BALL POSITION DESIGNATION PER JEP95, SECTION 3, SPP-020.
- [e] REPRESENTS THE SOLDER BALL GRID PITCH.
- SYMBOL "MD" IS THE BALL MATRIX SIZE IN THE "D" DIRECTION.  
SYMBOL "ME" IS THE BALL MATRIX SIZE IN THE "E" DIRECTION.  
n IS THE TOTAL NUMBER OF POPULATED SOLDER BALL POSITIONS FOR MATRIX SIZE MD X ME.
- [6] DIMENSION "b" IS MEASURED AT THE MAXIMUM BALL DIAMETER IN A PLANE PARALLEL TO DATUM C.
- [7] "SD" AND "SE" ARE MEASURED WITH RESPECT TO DATUMS A AND B AND DEFINE THE POSITION OF THE CENTER SOLDER BALL IN THE OUTER ROW.  
WHEN THERE IS AN ODD NUMBER OF SOLDER BALLS IN THE OUTER ROW, "SD" OR "SE" = 0.  
WHEN THERE IS AN EVEN NUMBER OF SOLDER BALLS IN THE OUTER ROW, "SD" = eD/2 AND "SE" = eE/2.
- "+" INDICATES THE THEORETICAL CENTER OF DEPOPULATED BALLS.
- A1 CORNER TO BE IDENTIFIED BY CHAMFER, LASER OR INK MARK, METALLIZED MARK INDENTATION OR OTHER MEANS.

g50111 16-038.25 | 6.5.13

### 7.1.3 67-Ball, Ball Grid Array (BGA)

Figure 7.3 VBT067 — 67-Ball BGA, 8 x 6.5 mm Package



| PACKAGE | VBT 067                                      |      |      | NOTE                     |
|---------|--|------|------|--------------------------|
| JEDEC   | N/A  |      |      |                          |
| D X E   | 8.00 mm x 6.50 mm PACKAGE                    |      |      |                          |
| SYMBOL  | MIN  | NOM  | MAX  |                          |
| A       | ---  | ---  | 1.00 | PROFILE                  |
| A1      | 0.22   | ---  | ---  | BALL HEIGHT              |
| D       | 8.00 BSC                                     |      |      | BODY SIZE                |
| E       | 6.50 BSC                                     |      |      | BODY SIZE                |
| D1      | 7.20 BSC                                     |      |      | MATRIX FOOTPRINT         |
| E1      | 5.60 BSC                                     |      |      | MATRIX FOOTPRINT         |
| MD      | 10   |      |      | MATRIX SIZE D DIRECTION  |
| ME      | 8  |      |      | MATRIX SIZE E DIRECTION  |
| n       | 67   |      |      | BALL COUNT               |
| Øb      | 0.41   | 0.46 | 0.51 | BALL DIAMETER            |
| eE      | 0.80 BSC                                     |      |      | BALL PITCH               |
| eD      | 0.80 BSC                                     |      |      | BALL PITCH               |
| SD      | 0.40 BSC                                     |      |      | SOLDER BALL PLACEMENT    |
| SE      | 0.40 BSC                                     |      |      | SOLDER BALL PLACEMENT    |
|         | A1,D1,E1,F1,G1<br>A4,K4,A5,K5<br>D8,E8,F8,G8 |      |      | DEPOPULATED SOLDER BALLS |

NOTES:

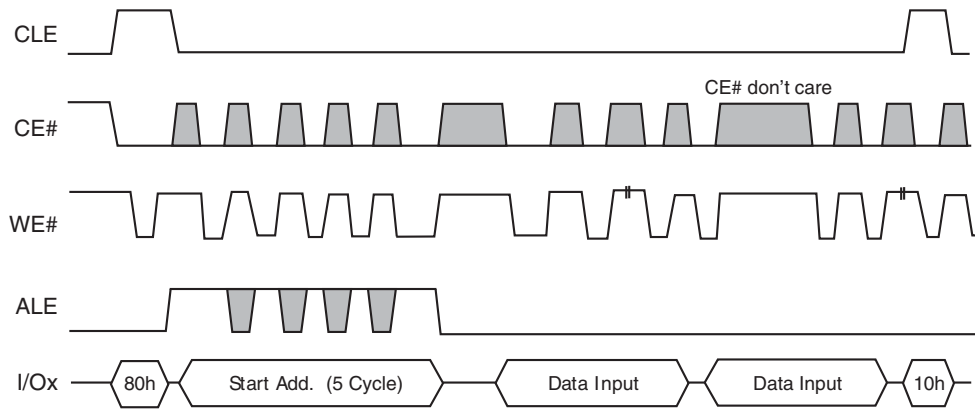
1. DIMENSIONING AND TOLERANCING METHODS PER ASME Y14.5M-1994.
2. ALL DIMENSIONS ARE IN MILLIMETERS.
3. BALL POSITION DESIGNATION PER JEP95, SECTION 3, SPP-020.
4. [e] REPRESENTS THE SOLDER BALL GRID PITCH.
5. SYMBOL "MD" IS THE BALL MATRIX SIZE IN THE "D" DIRECTION. SYMBOL "ME" IS THE BALL MATRIX SIZE IN THE "E" DIRECTION. n IS THE NUMBER OF POPULATED SOLDER BALL POSITIONS FOR MATRIX SIZE MD X ME.
6. DIMENSION "b" IS MEASURED AT THE MAXIMUM BALL DIAMETER IN A PLANE PARALLEL TO DATUM C.
7. "SD" AND "SE" ARE MEASURED WITH RESPECT TO DATUMS A AND B AND DEFINE THE POSITION OF THE CENTER SOLDER BALL IN THE OUTER ROW.  
WHEN THERE IS AN ODD NUMBER OF SOLDER BALLS IN THE OUTER ROW, "SD" OR "SE" = 0.  
WHEN THERE IS AN EVEN NUMBER OF SOLDER BALLS IN THE OUTER ROW, "SD" = eD/2 AND "SE" = eE/2.
8. "\*" INDICATES THE THEORETICAL CENTER OF DEPOPULATED BALLS.
9. A1 CORNER TO BE IDENTIFIED BY CHAMFER, LASER OR INK MARK, METALLIZED MARK INDENTATION OR OTHER MEANS.

g5019 \ f16-038.25 \ 10.11.13

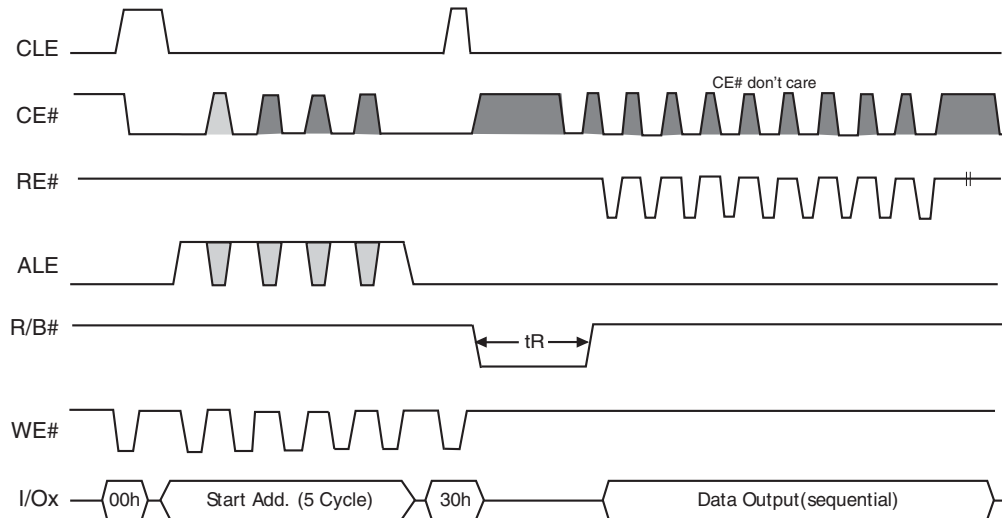
## 8. System Interface

To simplify system interface, CE# may be unasserted during data loading or sequential data reading as shown in [Figure 8.1](#). By operating in this way, it is possible to connect NAND flash to a microprocessor.

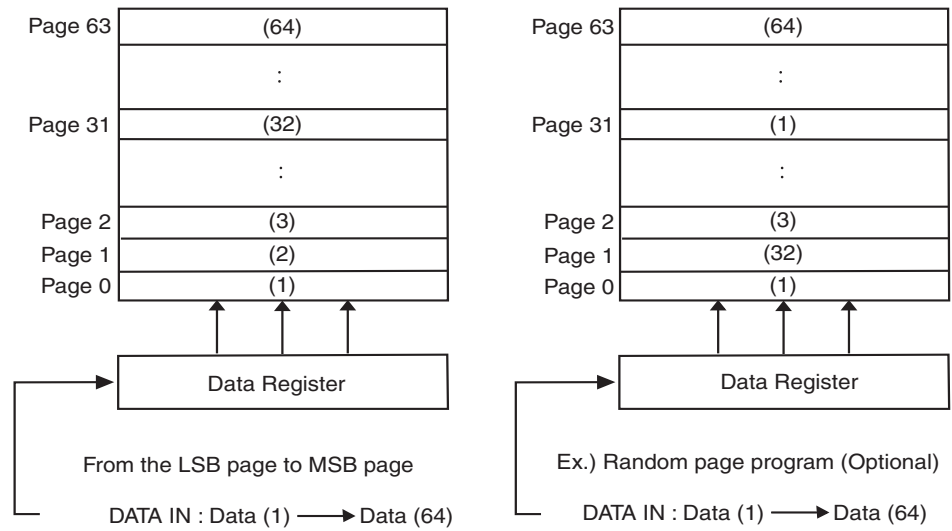
**Figure 8.1** Program Operation with CE# Don't Care



**Figure 8.2** Read Operation with CE# Don't Care



**Figure 8.3** Page Programming Within a Block



## 9. Error Management

### 9.1 System Bad Block Replacement

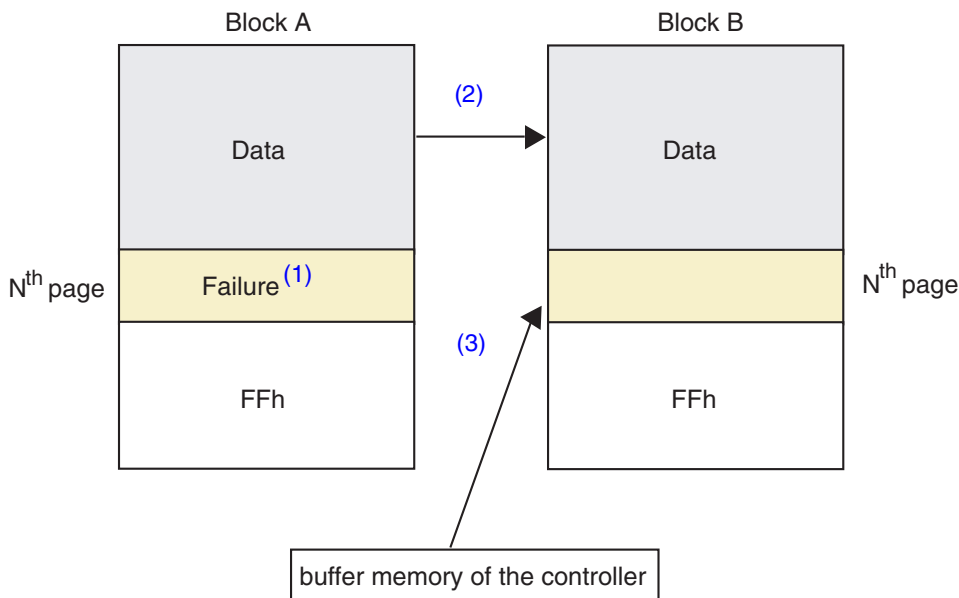
Over the lifetime of the device, additional Bad Blocks may develop. In this case, each bad block has to be replaced by copying any valid data to a new block. These additional Bad Blocks can be identified whenever a program or erase operation reports “Fail” in the Status Register.

The failure of a page program operation does not affect the data in other pages in the same block, thus the block can be replaced by re-programming the current data and copying the rest of the replaced block to an available valid block. Refer to [Table 9.1](#) and [Figure 9.1](#) for the recommended procedure to follow if an error occurs during an operation.

**Table 9.1** Block Failure

| Operation | Recommended Procedure     |
|-----------|---------------------------|
| Erase     | Block Replacement         |
| Program   | Block Replacement         |
| Read      | ECC (4 bit / 512+16 byte) |

**Figure 9.1** Bad Block Replacement



**Notes:**

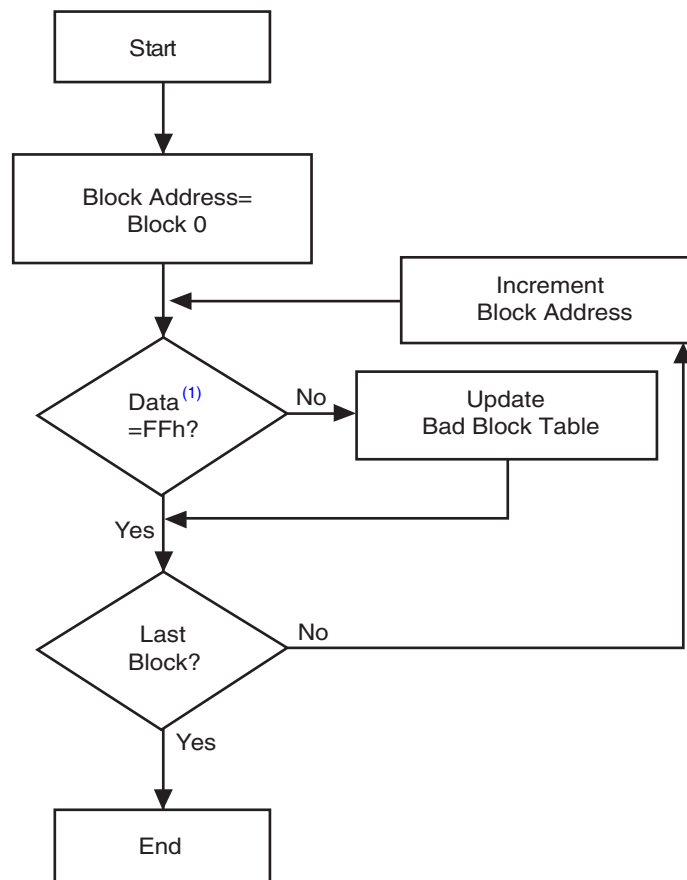
1. An error occurs on the Nth page of Block A during a program operation.
2. Data in Block A is copied to the same location in Block B, which is a valid block.
3. The Nth page of block A, which is in controller buffer memory, is copied into the Nth page of Block B.
4. Bad block table should be updated to prevent from erasing or programming Block A.



## 9.2 Bad Block Management

Devices with Bad Blocks have the same quality level and the same AC and DC characteristics as devices where all the blocks are valid. A Bad Block does not affect the performance of valid blocks because it is isolated from the bit line and common source line by a select transistor. The devices are supplied with all the locations inside valid blocks erased (FFh). The Bad Block Information is written prior to shipping. Any block where the 1st byte in the spare area of the 1st or 2nd or last page does not contain FFh is a Bad Block. That is, if the first page has an FF value and should have been a non-FF value, then the non-FF value in the second page or the last page will indicate a bad block. The Bad Block Information must be read before any erase is attempted, as the Bad Block Information may be erased. For the system to be able to recognize the Bad Blocks based on the original information, it is recommended to create a Bad Block table following the flowchart shown in Figure 9.2. The host is responsible to detect and track bad blocks, both factory bad blocks and blocks that may go bad during operation. Once a block is found to be bad, data should not be written to that block. The 1st block, which is placed on 00h block address is guaranteed to be a valid block.

Figure 9.2 Bad Block Management Flowchart

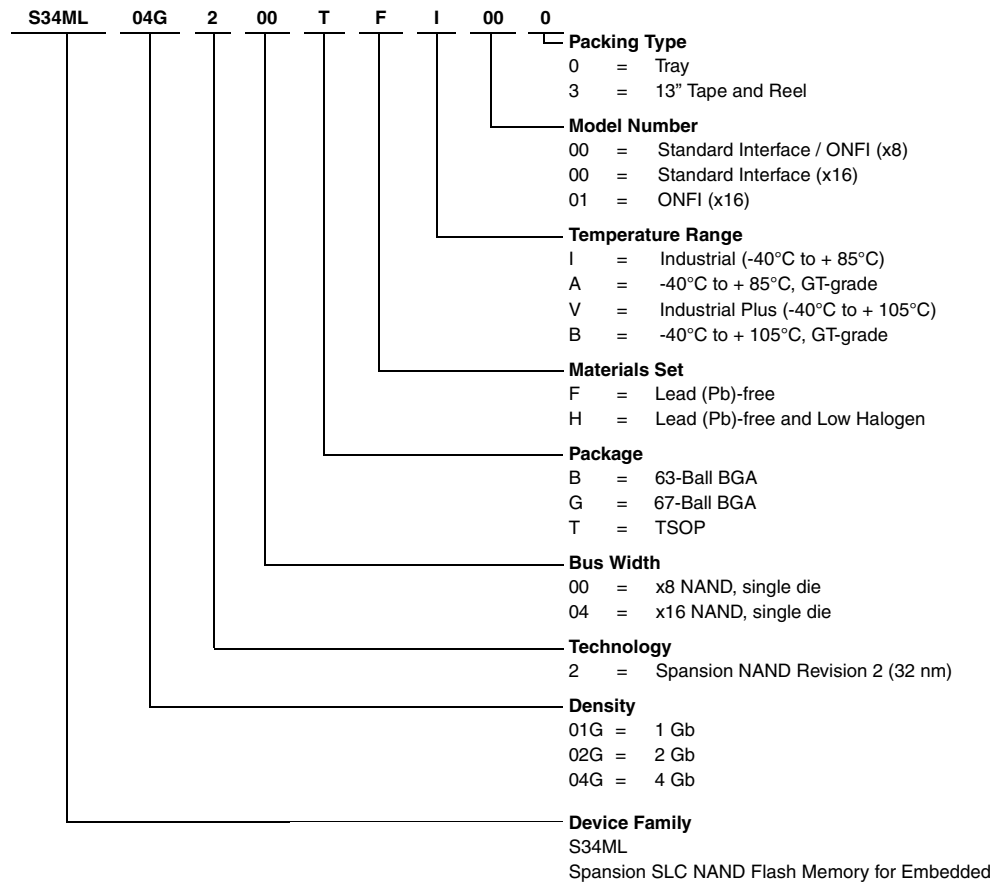


**Note:**

1. Check for FFh at the 1st byte in the spare area of the 1st, 2nd, and last pages.

## 10. Ordering Information

The ordering part number is formed by a valid combination of the following:



### Valid Combinations

Valid Combinations list configurations planned to be supported in volume for this device. Consult your local sales office to confirm availability of specific valid combinations and to check on newly released combinations.

| Valid Combinations |         |            |           |              |                   |                             |   |                     |               |
|--------------------|---------|------------|-----------|--------------|-------------------|-----------------------------|---|---------------------|---------------|
| Device Family      | Density | Technology | Bus Width | Package Type | Temperature Range | Additional Ordering Options | Packing Type  | Package Description |               |
| S34ML              | 01G     | 2          | 00        | 04           | TF                | I                           | 00, 01<br>Unique ID support guaranteed:<br>90 — Standard Interface / ONFI1.0 (x8)<br>91 — ONFI1.0 (x16) | 0, 3                | TSOP, BGA (1) |
|                    | 01G     |            |           | BH, GH, TF   | A, V, B           |                             |   |                     |               |
|                    | 02G     |            |           | BH, TF       | I                 |                             |   |                     |               |
|                    | 04G     |            |           |              | I, A, V, B        |                             |   |                     |               |

**Note:**

1. BGA package marking omits the leading "S34" and the Packing Type designator from the ordering part number.

## 11. Revision History

| Section   | Description  |
|---|--|
| <b>Revision 01 (August 3, 2012)</b>                         |  |
|   | Initial release  |
| <b>Revision 02 (November 27, 2012)</b>                      |  |
| Global  | Upgraded data sheet designation from Advance Information to Preliminary<br><b>Note the S34ML02G2 is in the Advance Information designation</b><br>Added x16 I/O bus width data   |
| Performance   | Reliability: changed "with 1 bit ECC" to "with 4 bit ECC"  |
| Connection Diagram  | Added 63-VFBGA Contact, x16 Device (Balls Down, Top View) figure   |
| Array Organization  | Added Array Organization — x16 figure  |
| Addressing  | Address Cycle Map 1G/2G/4G Device tables: added x16 data   |
| Multiplane Program — S34ML02G2 and S34ML04G2                | Added text   |
| Multiplane Block Erase — S34ML02G2 and S34ML04G2            | Added text   |
| Multiplane Copy Back Program — S34ML02G2 and S34ML04G2      | Added text   |
| Read ID   | Read ID for Supported Configurations table: corrected x8 information<br>Added x16 information:<br>Read ID for Supported Configurations table<br>Read ID Byte 4 Description — S34ML01G2 table<br>Read ID Byte 4 Description — S34ML02G2 and S34ML04G2 |
| Read Parameter Page   | Parameter Page Description table: updated values for Bytes 254-255   |
| Absolute Maximum Ratings                                    | Absolute Maximum Ratings table:<br>updated Input or Output Voltage, and Supply Voltage values<br>added note  |
| AC Characteristics  | AC Characteristics table:<br>added CE# access time<br>added note for $t_{COH}$ and $t_{RHOH}$  |
| Multiplane Page Program Operation — S34ML02G2 and S34ML04G2 | Added note to Multiplane Page Program figure<br>Added note to Multiplane Page Program (ONFI 1.0 Protocol) figure   |
| Multiplane Block Erase — S34ML02G2 and S34ML04G2            | Added note to Multiplane Block Erase figure<br>Added note to Multiplane Block Erase (ONFI 1.0 Protocol) figure   |
| Multiplane Copy Back Program — S34ML02G2 and S34ML04G2      | Added note to Multiplane Copy Back Program figure<br>Multiplane Copy Back Program (ONFI 1.0 Protocol) figure:<br>Changed IOx values<br>Updated notes   |
| Multiplane Cache Program — S34ML02G2 and S34ML04G2          | Multiplane Cache Program figure:<br>Removed A13-A31 Address Input values<br>Added note   |
| Error Management  | Block Failure table: Changed ECC 1 bit to 4 bit  |
| Ordering Information  | Added x16 Model Numbers  |
| <b>Revision 03 (December 19, 2012)</b>                      |  |
| Command Set   | Added Page Reprogram command<br>Reorganized Command Set table  |
| Page Reprogram  | Moved section<br>Added paragraph   |
| Copy Back Program   | Added paragraph  |
| Reset   | Updated paragraph  |
| Read ID2  | Added text   |

| Section  | Description  |
|--|--|
| Read Parameter Page                                    | Parameter Page Description table:<br>fixed Values of Bytes 6-7 and 254-255<br>fixed Description of Bytes 129-130 and 131-132                     |
| Absolute Maximum Ratings                               | Fixed Value for $V_{IO}$ and $V_{CC}$  |
| DC Characteristics                                     | DC Characteristics and Operating Conditions table: Changed Power On Current Test Conditions and Typ/Max values                                   |
| AC Characteristics                                     | AC Characteristics table: added note   |
| Page Read Operation                                    | Page Read Operation (Read One Page) figure: added note   |
| Read ID2 Operation Timing                              | Read ID2 Operation Timing figure:<br>replaced $t_{WHR}$ with $t_R$ and added R/B# timing signal<br>added note                                    |
| Bad Block Management                                   | Added text<br>Bad Block Management Flowchart: updated note   |
| <b>Revision 04 (February 14, 2013)</b>                 |  |
| Distinctive Characteristics                            | Corrected Plane Size for x16   |
| Page Program   | Added paragraph  |
| Multiplane Program — S34ML02G2 and S34ML04G2           | Added paragraph  |
| Page Reprogram   | Added paragraph  |
| Block Erase  | Added paragraph  |
| Multiplane Block Erase — S34ML02G2 and S34ML04G2       | Added paragraph  |
| Copy Back Program                                      | Added paragraph  |
| Multiplane Copy Back Program — S34ML02G2 and S34ML04G2 | Added paragraph  |
| Cache Program — S34ML02G2 and S34ML04G2                | Added paragraph  |
| Multiplane Cache Program — S34ML02G2 and S34ML04G2     | Added paragraph  |
| Read Parameter Page                                    | Added paragraphs<br>Parameter Page Description table: corrected value for bytes 129-130, 131-132, and 254-255                                    |
| Valid Blocks   | Updated table  |
| AC Characteristics                                     | AC Characteristics table:<br>corrected Min value for $t_{ALS}$ , $t_{CLS}$ , and $t_{DS}$<br>corrected Max value for $t_{CEA}$                   |
| <b>Revision 05 (June 19, 2013)</b>                     |  |
| Distinctive Characteristics                            | Operating Temperature: removed Commercial and Extended temperatures  |
| Performance  | Updated Page Read / Program and Reliability sections   |
| General Description                                    | Updated section  |
| Block Diagram  | Updated Functional Block Diagram figure  |
| Array Organization                                     | Updated figures<br>Added two figures:<br>Array Organization — S34ML02G2 and S34ML04G2 (x8)<br>Array Organization — S34ML02G2 and S34ML04G2 (x16) |
| Addressing   | Appended Note in all Address Cycle Map tables<br>Added text to Bus Cycle column in all Address Cycle Map tables                                  |
| Page Read  | Updated section  |
| Page Program   | Updated section  |
| Multiplane Program — S34ML02G2 and S34ML04G2           | Updated section  |

| Section   | Description  |
|---|--|
| Page Reprogram  | Corrected Page Reprogram figure<br>Corrected Page Reprogram with Data Manipulation figure  |
| Copy Back Program   | Updated section  |
| Read Status Register Field Definition                       | Updated Status Register Coding table   |
| Read ID   | Read ID for Supported Configurations table: corrected 2nd cycle for 1 Gb x16<br>Read ID Byte 5 Description — S34ML02G2 and S34ML04G2 table: corrected Description for Plane Size |
| Read Parameter Page   | Parameter Page Description table: corrected value for bytes 8-9, 114, 137-138, 139-140, and 254-255  |
| Read Unique ID  | Added section  |
| Ready/Busy  | Updated section<br>Updated Ready/Busy Pin Electrical Application figure  |
| Electrical Characteristics                                  | Absolute Maximum Ratings table: removed Ambient Operating Temperature (Commercial Temperature Range) and Ambient Operating Temperature (Extended Temperature Range)              |
| AC Characteristics  | AC Characteristics table: updated 'Data transfer from cell to register' Parameter  |
| Program / Erase Characteristics                             | Program / Erase Characteristics table: added Dummy Busy Time for Multiplane Program (S34MS02G2, S34MS04G2)   |
| Multiplane Page Program Operation — S34MS02G2 and S34MS04G2 | Updated Multiplane Page Program figure<br>Updated Multiplane Page Program (ONFI 1.0 Protocol) figure   |
| Copy Back Read with Optional Data Readout                   | Corrected Copy Back Read with Optional Data Readout figure   |
| Copy Back Program Operation With Random Data Input          | Corrected Copy Back Program Operation With Random Data Input figure  |
| Read Status Register Timing                                 | Removed Read Status Enhanced Cycle figure  |
| Read Status Enhanced Timing                                 | Removed Read Status Timing figure  |
| Read Cache  | Corrected Read Cache Operation Timing figure<br>Removed Cache Timing heading   |
| Cache Program   | Updated Cache Program figure   |
| Read Parameter Page Timing                                  | Added Note to Read Parameter Page Timing figure  |
| Read Unique ID Timing                                       | Added section  |
| Physical Interface  | Updated figures:<br>TS/TSR 48 — 48-lead Plastic Thin Small Outline, 12 x 20 mm, Package Outline<br>VBM063 — 63-Pin BGA, 11 mm x 9 mm Package                                     |
| Ordering Information  | Clarified Bus Width and Technology<br>Added Note to Valid Combinations table   |
| <b>Revision 06 (August 9, 2013)</b>                         |  |
| Mode Selection  | Changed 'Busy Time in Read' WE# from X to High   |
| System Interface  | Updated paragraph<br>Updated Read Operation with CE# Don't Care figure   |
| <b>Revision 07 (November 1, 2013)</b>                       |  |
| Performance   | Package Options: added 67-Ball BGA 8 x 6 x 1 mm  |
| Connection Diagram  | Added figure: 67-BGA Contact (Balls Down, Top View)  |
| Physical Diagram  | Added figure: 67-Ball, Ball Grid Array (BGA)   |
| Ordering Information  | Added to 'Package'   |
| Valid Combinations  | Added 'GH' to Package Type<br>Added 'Unique ID support guaranteed' to Additional Ordering Options  |
| <b>Revision 08 (January 6, 2014)</b>                        |  |
| Global  | Upgraded data sheet designation from Preliminary to Full Production<br><b>Note the S34ML02G2 is in the Advance Information designation</b>                                       |

| Section                                | Description   |
|--|---|
| <b>Revision 09 (July 3, 2014)</b>      |   |
| Ordering Information                   | Added A, V, B to Temperature Range<br>Valid Combinations table: added A to Temperature Range of 01G Density         |
| <b>Revision 10 (September 5, 2014)</b> |   |
| Ordering Information                   | Valid Combinations table:<br>added Package Type BH and TF for 01G Density<br>corrected Package Type for 02G Density |
| <b>Revision 11 (April 17, 2015)</b>    |   |
| Distinctive Characteristics            | Operating Temperature: added Industrial Plus  |
| Read Parameter Page                    | Updated Note  |
| Read Unique ID (Contact Factory)       | Unique ID Data Description (Contact Factory) table: added Note  |
| Ordering Information                   | Valid Combinations table: updated table   |

### **Colophon**

The products described in this document are designed, developed and manufactured as contemplated for general use, including without limitation, ordinary industrial use, general office use, personal use, and household use, but are not designed, developed and manufactured as contemplated (1) for any use that includes fatal risks or dangers that, unless extremely high safety is secured, could have a serious effect to the public, and could lead directly to death, personal injury, severe physical damage or other loss (i.e., nuclear reaction control in nuclear facility, aircraft flight control, air traffic control, mass transport control, medical life support system, missile launch control in weapon system), or (2) for any use where chance of failure is intolerable (i.e., submersible repeater and artificial satellite). Please note that Spansion will not be liable to you and/or any third party for any claims or damages arising in connection with above-mentioned uses of the products. Any semiconductor devices have an inherent chance of failure. You must protect against injury, damage or loss from such failures by incorporating safety design measures into your facility and equipment such as redundancy, fire protection, and prevention of over-current levels and other abnormal operating conditions. If any products described in this document represent goods or technologies subject to certain restrictions on export under the Foreign Exchange and Foreign Trade Law of Japan, the US Export Administration Regulations or the applicable laws of any other country, the prior authorization by the respective government entity will be required for export of those products.

### **Trademarks and Notice**

The contents of this document are subject to change without notice. This document may contain information on a Spansion product under development by Spansion. Spansion reserves the right to change or discontinue work on any product without notice. The information in this document is provided as is without warranty or guarantee of any kind as to its accuracy, completeness, operability, fitness for particular purpose, merchantability, non-infringement of third-party rights, or any other warranty, express, implied, or statutory. Spansion assumes no liability for any damages of any kind arising out of the use of the information in this document.

Copyright © 2012-2015 Spansion LLC. All rights reserved. Spansion®, the Spansion logo, MirrorBit®, MirrorBit® Eclipse™, ORNAND™, HyperBus™, HyperFlash™ and combinations thereof, are trademarks and registered trademarks of Spansion LLC in the United States and other countries. Other names used are for informational purposes only and may be trademarks of their respective owners.