

Banana Jack - Insulated Solder Terminal

SPECIFICATIONS

Contact: Formed brass per QQ-B-626D

Finish: Bright tin

Body: Nylon 6/6 per ASTM D4066

Hardware: Nickel plated nut (unassembled)

Body Thread Stripping Torque: 6.0 lb. in. (7kg. cm.)

Panel Thickness: Up to .343 (8.80)

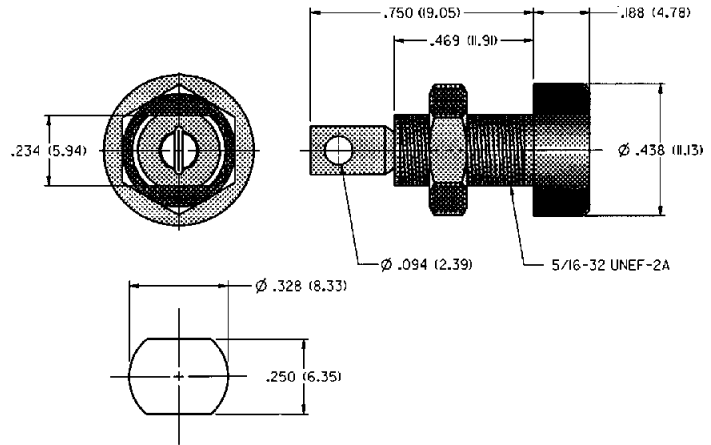
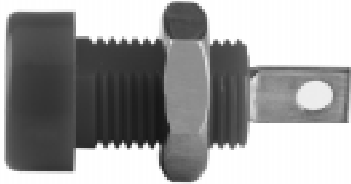
RATINGS

Current: 15 amps

Breakdown Voltage: 7000 Vrms minimum

Contact Resistance: 0.010 ohms maximum

Contact-To-Panel: 2.4 pF nominal



MOUNTING HOLE LAYOUT

BRIGHT TIN PLATING

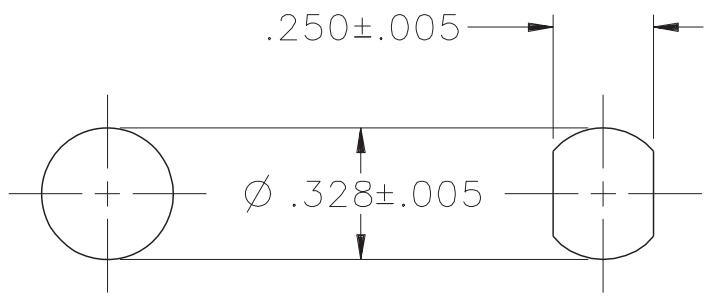
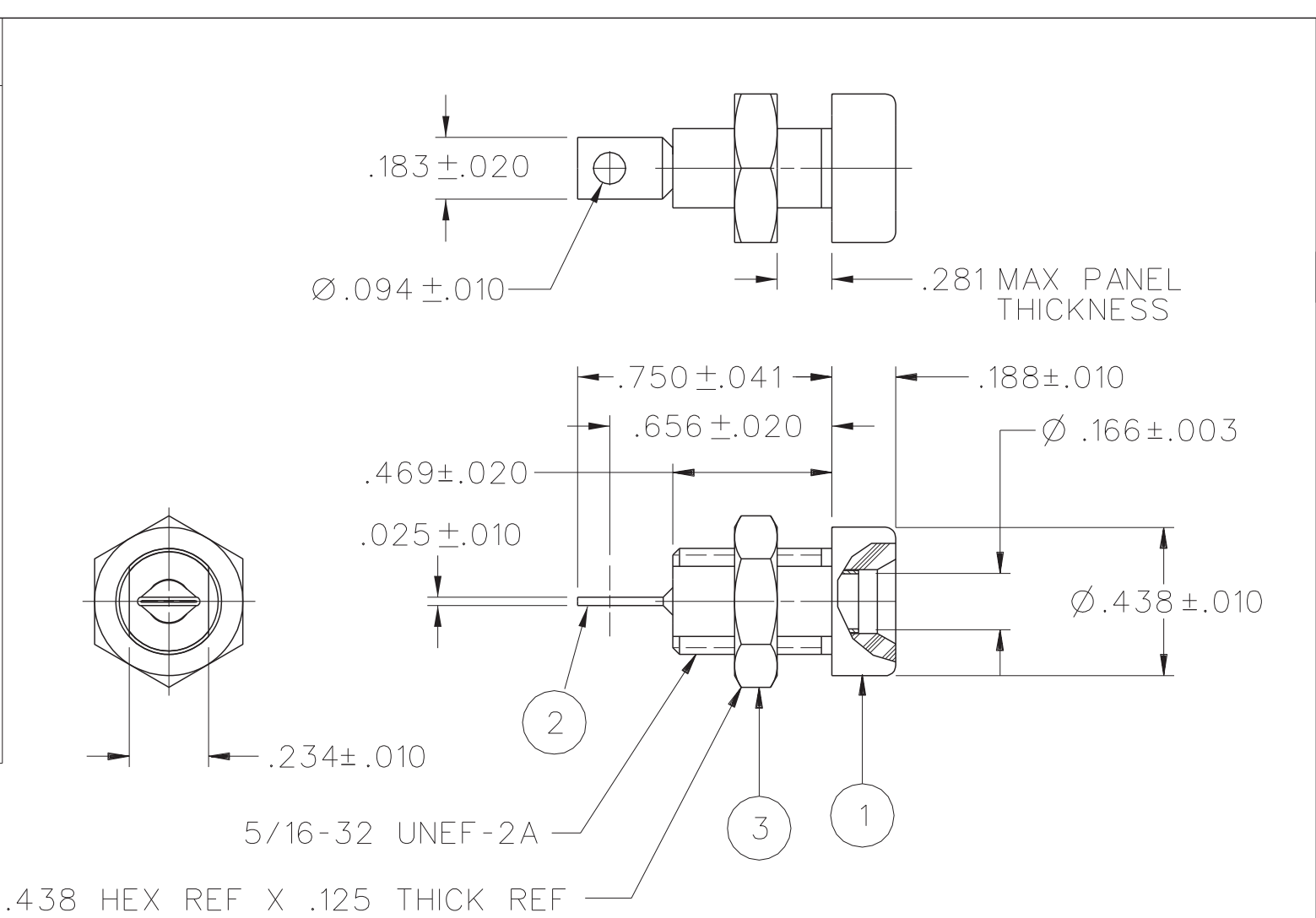
108-0903-001	Black
--------------	-------

For Standard Banana Plug: .175 (4.44) Across Flats

FEATURES:

- Keyed mounting with double flats
- Accepts up to 16 gauge wire
- Nylon UL approved for self extinguishing

PART NUMBER	ITEM ①		ITEM ②	ITEM ③
	BODY	COLOR		
108-0901-001	NYLON	WHITE	BRASS TIN PL .0001 MIN OVER NICKEL PL .00005 MIN	BRASS NICKEL PL .0001 MIN
108-0902-001		RED		
108-0903-001		BLACK		
108-0904-001		GREEN		
108-0905-001				
108-0906-001		ORANGE		
108-0907-001		YELLOW		
108-0908-001		BROWN		
108-0909-001				
108-0910-001		BLUE		
108-0911-001				
108-0912-001		VIOLET		
108-0913-001		GRAY		
108-0914-001				
108-0915-001				
108-0916-001				
108-0917-001				
108-0918-001				
108-0919-001				
108-0920-001				



MOUNTING HOLE OPTIONS

NOTES:

SPECIFICATIONS:

ELECTRICAL:

CURRENT RATING: 15 AMPS DC MAXIMUM
 DIELECTRIC WITHSTANDING VOLTAGE: 7000 VRMS MINIMUM AT SEA LEVEL
 RECOMMENDED WORKING VOLTAGE: 3500 VRMS MAXIMUM AT SEA LEVEL
 INSULATION RESISTANCE: 5000 MEGOHMS MINIMUM
 CONTACT RESISTANCE: 10 MILLIOHMS MAXIMUM
 CAPACITANCE: 2.4 pF NOMINAL

MECHANICAL:

CONTACT RETENTION IN INSULATOR FORCE: 30 LBS MINIMUM
 CONTACT RETENTION IN INSULATOR TORQUE: 2 IN OZ MINIMUM
 INSULATOR RETENTION IN .062 PANEL FORCE: NOT APPLICABLE
 INSULATOR RETENTION IN .062 PANEL TORQUE: NOT APPLICABLE
 PLASTIC MOUNTING THREAD STRIPPING TORQUE: 6 IN LB MINIMUM
 WIRE ACCEPTABILITY: 12 AWG OR SMALLER
 WIRE ATTACHMENT: SOLDER
 MATING BANANA PLUG SPRING WIDTH: .175 NOMINAL
 DURABILITY: 1000 CYCLES MINIMUM

ENVIRONMENTAL:

(MEETS OR EXCEEDS THE APPLICABLE PARAGRAPH OF MIL-PRF-39024)
 OPERATING TEMPERATURE: -55 DEG C TO 85 DEG C
 TEMPERATURE RISE AT RATED CURRENT: 10 DEG C MAXIMUM
 CORROSION: MIL-STD-1344, METHOD 1001, CONDITION B
 SHOCK: MIL-STD-1344, METHOD 2004, CONDITION G
 VIBRATION: MIL-STD-1344, METHOD 2005, CONDITION I
 HUMIDITY: MIL-STD-1344, METHOD 1002, CONDITION B

DRAWING NO. B - 108-0901/0920-001	
0	REVISIONS
REVISED AND REDRAWN. DRAWING WAS "C" SIZE 108-0901/0920-001/020 DATED 3-30-88. SPLIT INTO 6 SEPERATE DWGS. CREATED SHEET 2.	
26a	1-9-03 R H R J B 10-1-03 ECN 48696


CUSTOMER DRAWING

THIS DRAWING TO BE INTERPRETED PER ASME Y 14.5M - 1994

"μSTATION"

COMPANY CONFIDENTIAL

TOLERANCE UNLESS OTHERWISE SPECIFIED		DRAWN BY	DATE
DECIMALS	mm	RJB	12-27-02
.XX	_____	CHECKED BY	DATE
.XXX	_____	APPROVED BY	DATE
MATL	_____	RJB	10-1-03
FINISH	_____	RELEASE DATE	10-1-03
U/M	INCH	SCALE	2:1

		TITLE	
		ASSEMBLY, BANANA JACK, INSULATED THREADED PANEL MOUNT, SOLDER TERMINAL	
SHEET	DRAWING NO.		
2 OF 2	B - 108-0901/0920-001		