



## DESCRIPTION

PT2253A is an electronic volume controller IC utilizing CMOS Technology specially designed for use on audio equipments. It has two (2) built-in channels making it ideally suitable for mono and stereo sound applications. PT2253A provides a wide frequency response range and a very low harmonic distortion to mention a few; thereby guaranteeing a highly effective and reliable performance.

## FEATURES

- CMOS Technology
- Low Power Consumption
- Operating Voltage Range :  $V_{cc} = 6 \sim 12 \text{ V}$   
(Backup Voltage is up to 4 V)
- 0dB to -68dB attenuation controlled by 2dB/step
- 2 Channels in each chip
- Capable to control attenuation by a built-in oscillator and Up/Down Pin
- Single Power Supply or Dual Power Supplies of (+) and (-) can be used
- Wide Frequency Response Range
- Very Low Harmonic Distortion
- Available in 16 pin, DIP Package

## APPLICATIONS

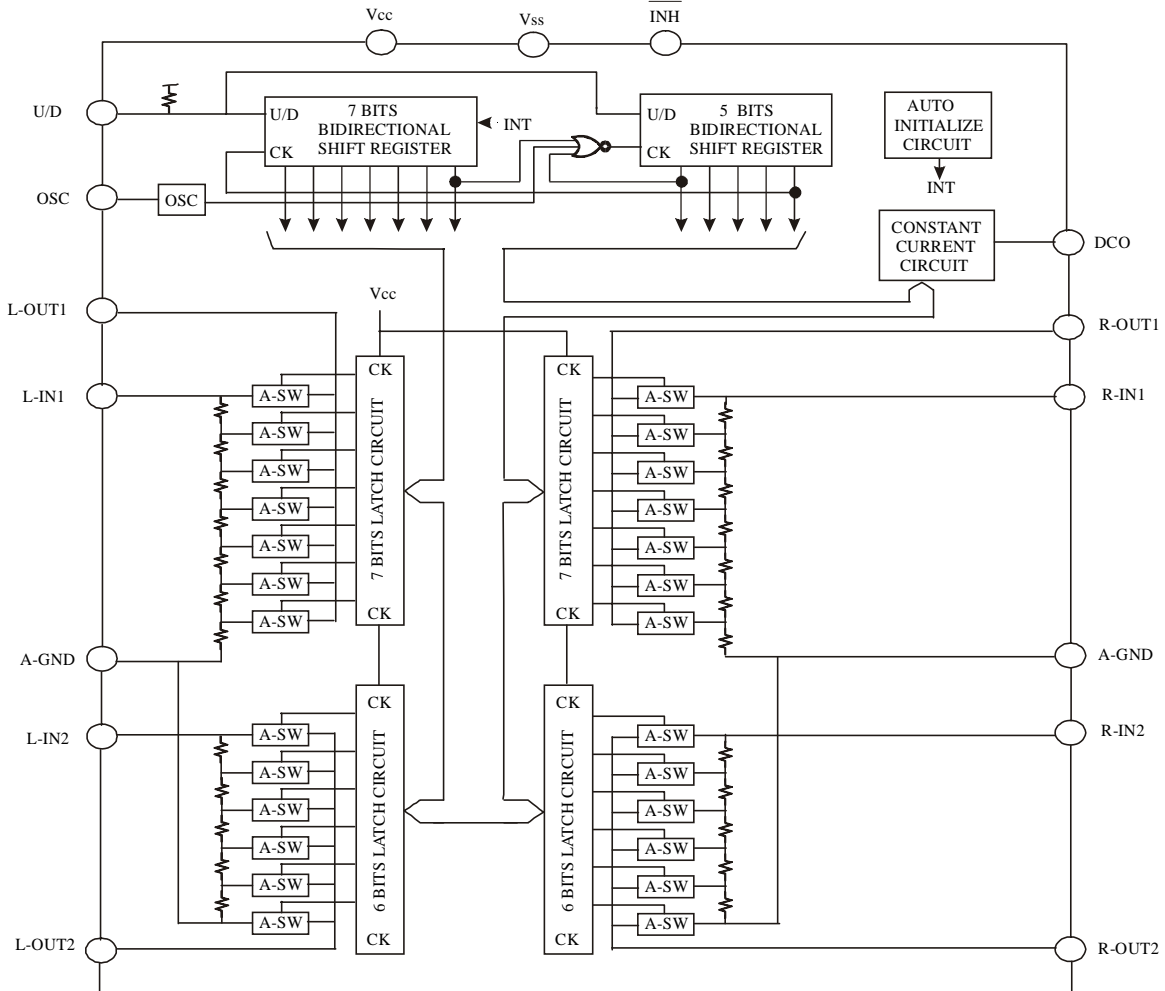
- Audio Equipment Volume Control
- Traditional VR Replacement



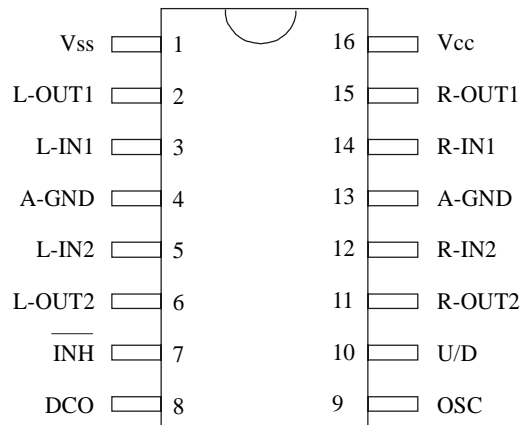
Electronic Volume Controller IC

PT2253A

BLOCK DIAGRAM



PIN CONFIGURATION

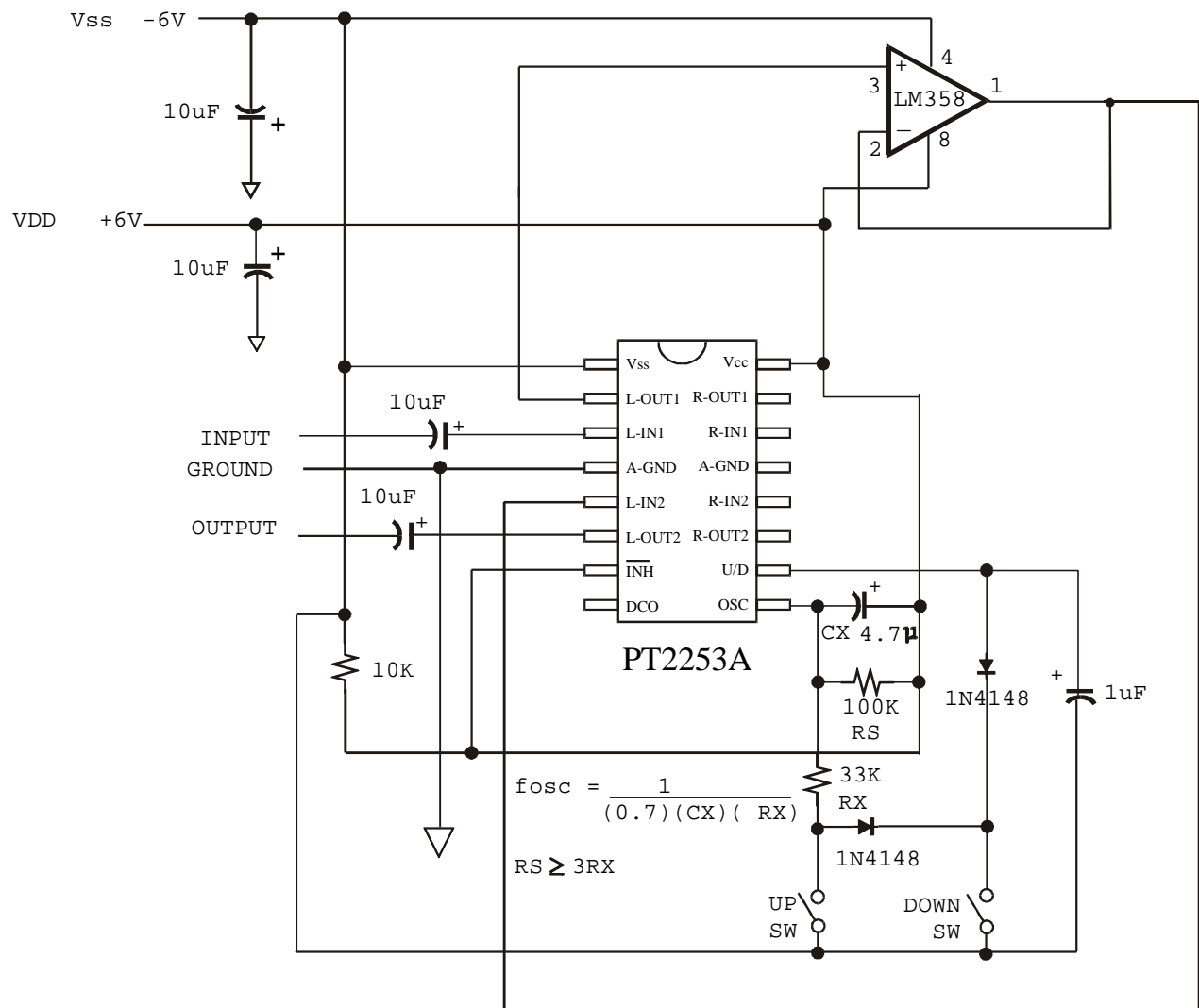


PT2253A



### APPLICATION CIRCUIT 1

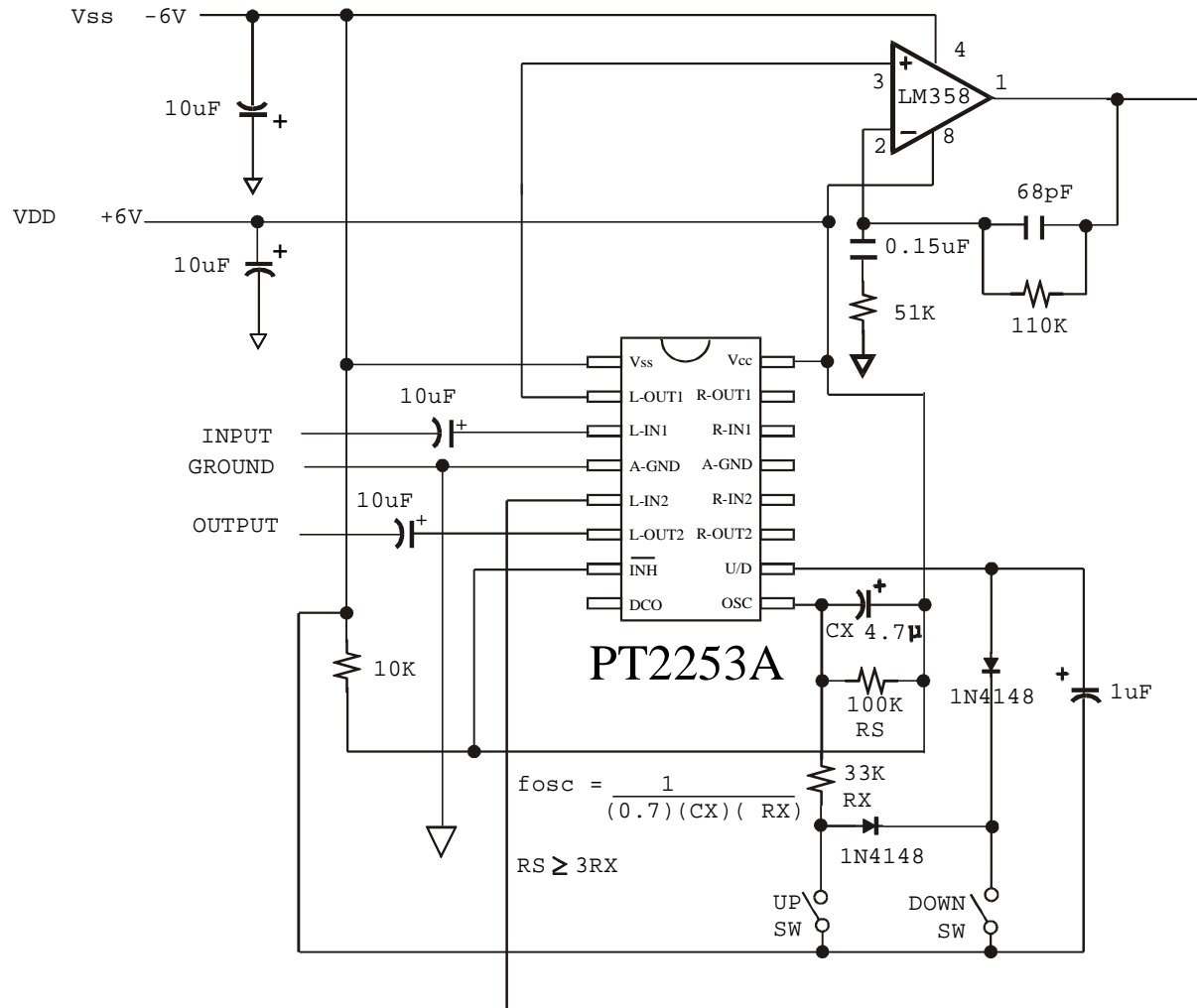
#### Dual Power Supply (L-Channel Only)





### APPLICATION CIRCUIT 2

#### Dual Power Supply (L-Channel Only)

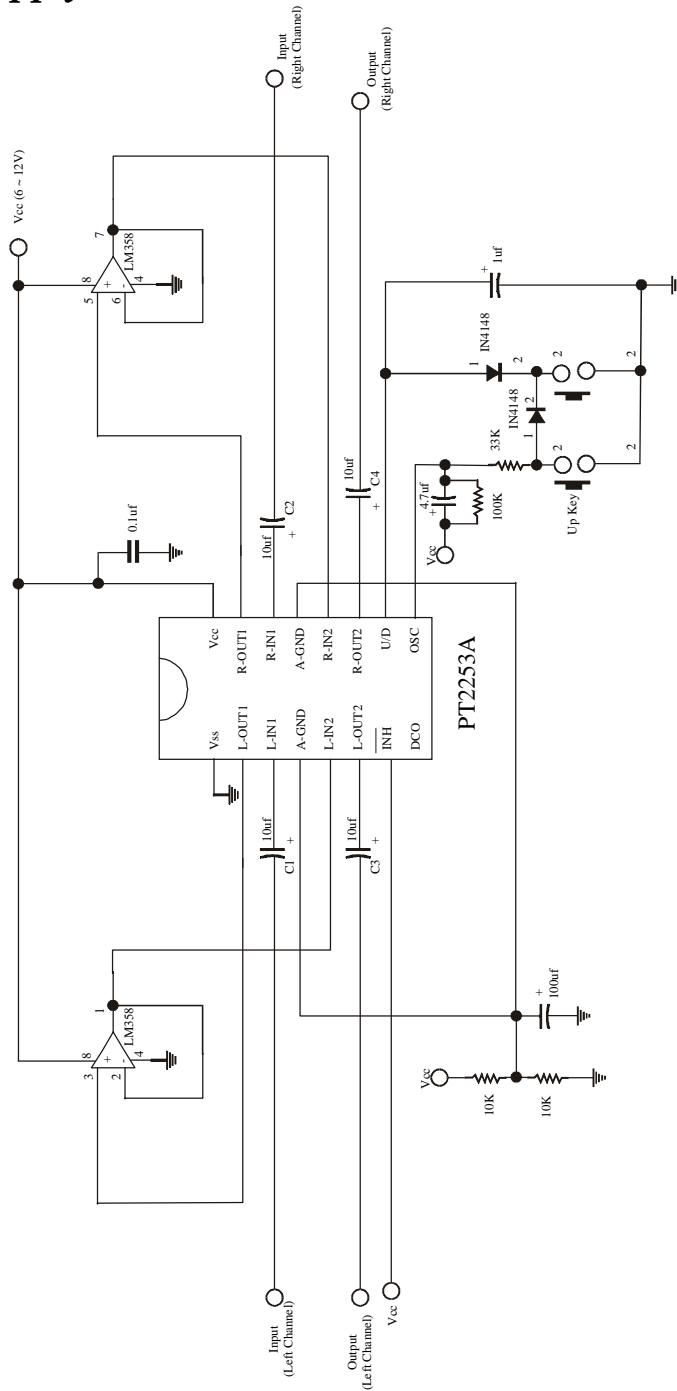


Note: Since the Buffer Amp between Att-1 and Att-2 is already 10dB Voltage Gain, higher input level may cause OP Amp's Output Clipping. To avoid unwanted distortion, the input signal level applied at IN-1 should not be over 1 Vrms.



APPLICATION CIRCUIT 3

Single Power Supply







## ORDER INFORMATION

Valid Part Number	Package Type
PT2253A	16 Pins, DIP