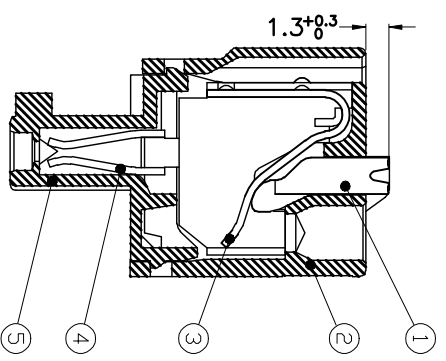
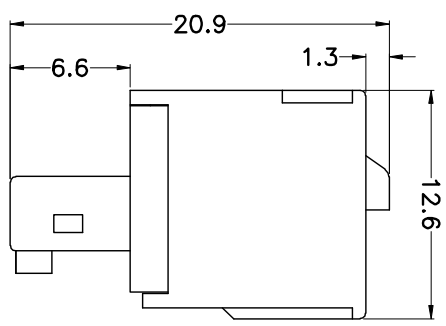
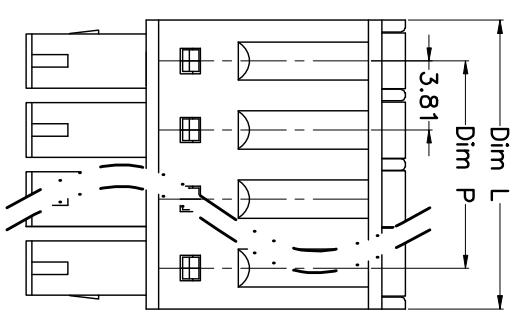
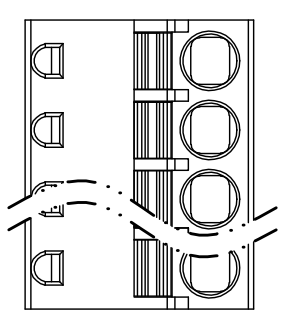


REV.	DESCRIPTION	DATE	DRAWN	APPROVED
A1	DWG.REL	2015.3.12	FANG	YANG



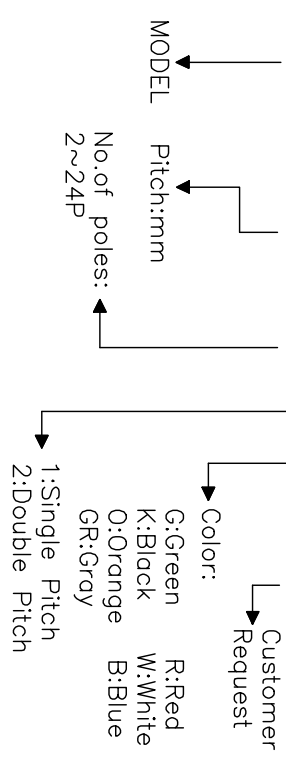
- Material
  - ⊙Button : PA66, UL94V-0
  - ⊙Housing : PA66, UL94V-0
  - ⊙Reed : Stainless steel
  - ⊙Contact : Phosphor bronze, Ni plated
  - ⊙Cover : PA66, UL94V-0

- Electrical
  - UL IEC
  - Rated voltage : 300V 250V
  - Rated current : 10A 7A
  - Insulation resistance: 500MΩ/DC500V
  - Withstanding Voltage : AC1500V/1min
  - Wire range: 24-16AWG 0.5-1.5mm<sup>2</sup>

- Mechanical
  - Operating temperature: -40°C to +105°C
  - Soldering temperature: 250°C ±5/5sec
  - Strip length: 10mm

### HOW TO ORDER

KF12EKD-3.81-XXP-1 X-XXXXXX



N=Number of Poles  
Dim P=(N-1)×3.81  
Dim L=N×3.81+0.6

Poles	Dim	Dim P	Dim L
2-6P		±0.10	±0.15
7-12P		±0.20	±0.20
13-18P		±0.25	±0.30
19-24P		±0.30	±0.40

### GENERAL TOLERANCE ANGLE TOLERANCE

X.	±0.5	X.	±5°
.X	±0.3	.X.	±3°
.XX	±0.1	.XX.	±1°

DRAWING TYPE	CUSTOMER	SHEET	1 OF 1
SCALE	1:1	SHEET	1 OF 1
DRAWING NO.			

PROJECTION	TITLE
UNITS mm	KF12EKD-3.81-XXP
SHEET SIZE A4	SERIES KF12EKD

# 科奕科技有限公司