
Remote Control Encoder IC**PT2607**

DESCRIPTION

The PT2607 Encoder Series are tri-state remote control encoder ICs utilizing CMOS Technology. It encodes data and address pins into a serially encoded waveform suitable for RF modulation. PT2607 supports up to a maximum 12 address and 8 address/data bits. Housed in either 18, 20 or 24 pins, SO or DIP Package, PT2607's pin assignments and application circuit are optimized for easy PCB Layout and cost saving benefits.

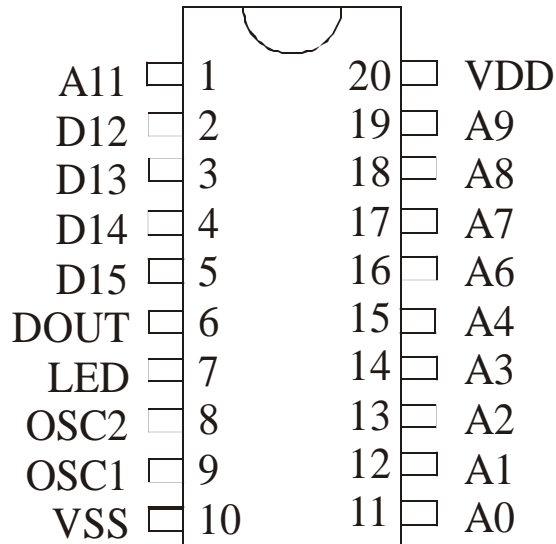
FEATURES

- CMOS Technology
- Low Power Consumption
- Operating Voltage: 2.4 to 15 V
- Low Standby Current
- Three Words Transmission
- Built-in Oscillator
- Least External Components
- Available in 18, 20 or 24 pins, DIP or SO Package
- Easy to Use

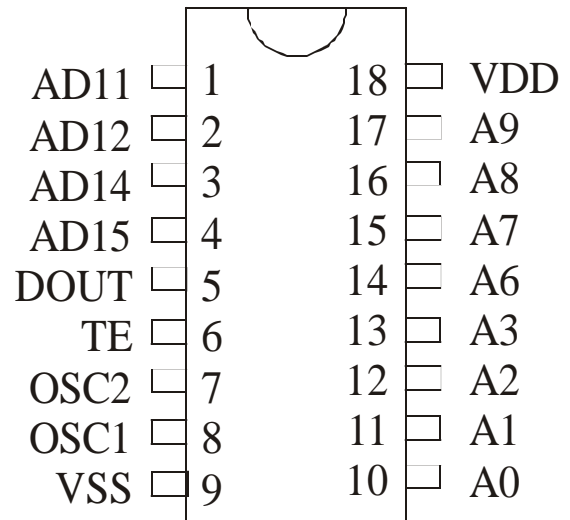
APPLICATIONS

- Burglar Alarm System
- Car/Motorcycle Security System
- Home/Office Security System
- Smoke & Fire Alarm System
- Toy/Garage Door Remote Controller
- Cordless Telephone
- Object Finder
- Remote Switch
- Remote Control for Industrial Use
- Automation System

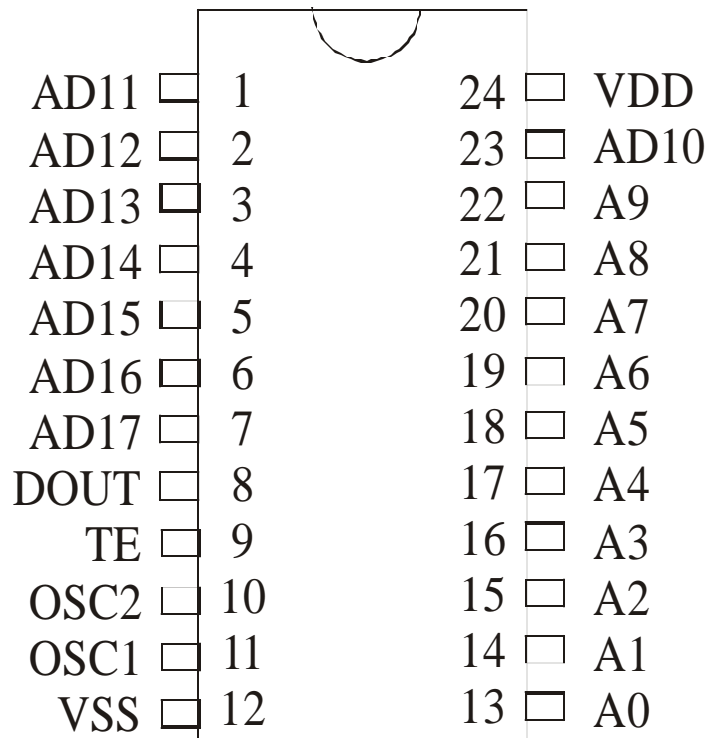
PIN CONFIGURATION



PT2607 / PT2607-S

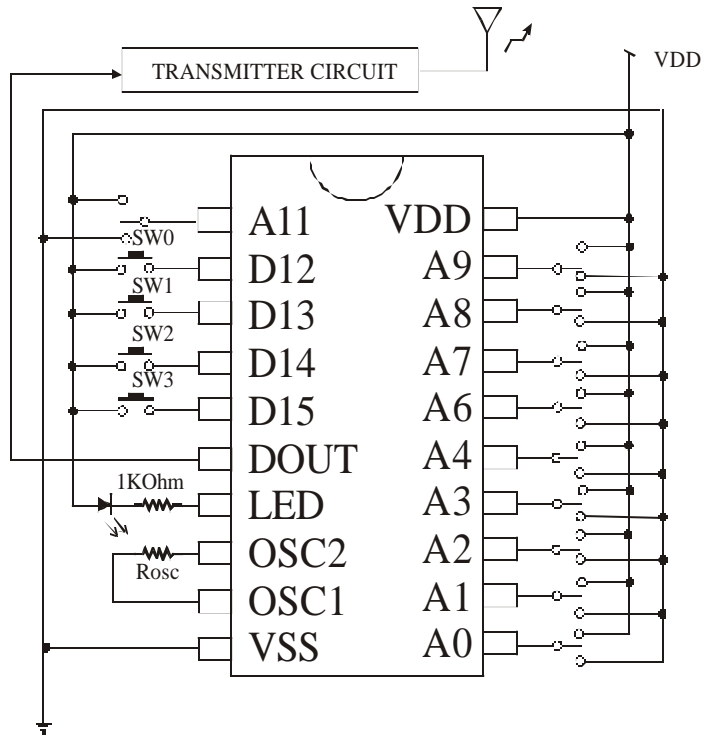


PT2607B / PT2607B-S

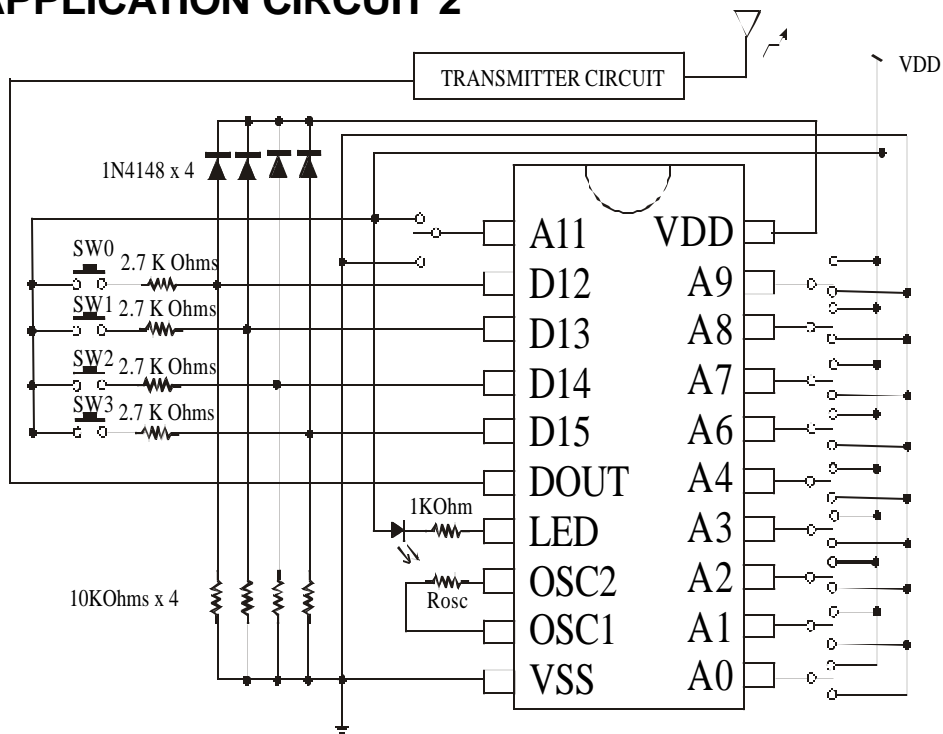


PT2607C / PT2607C-S

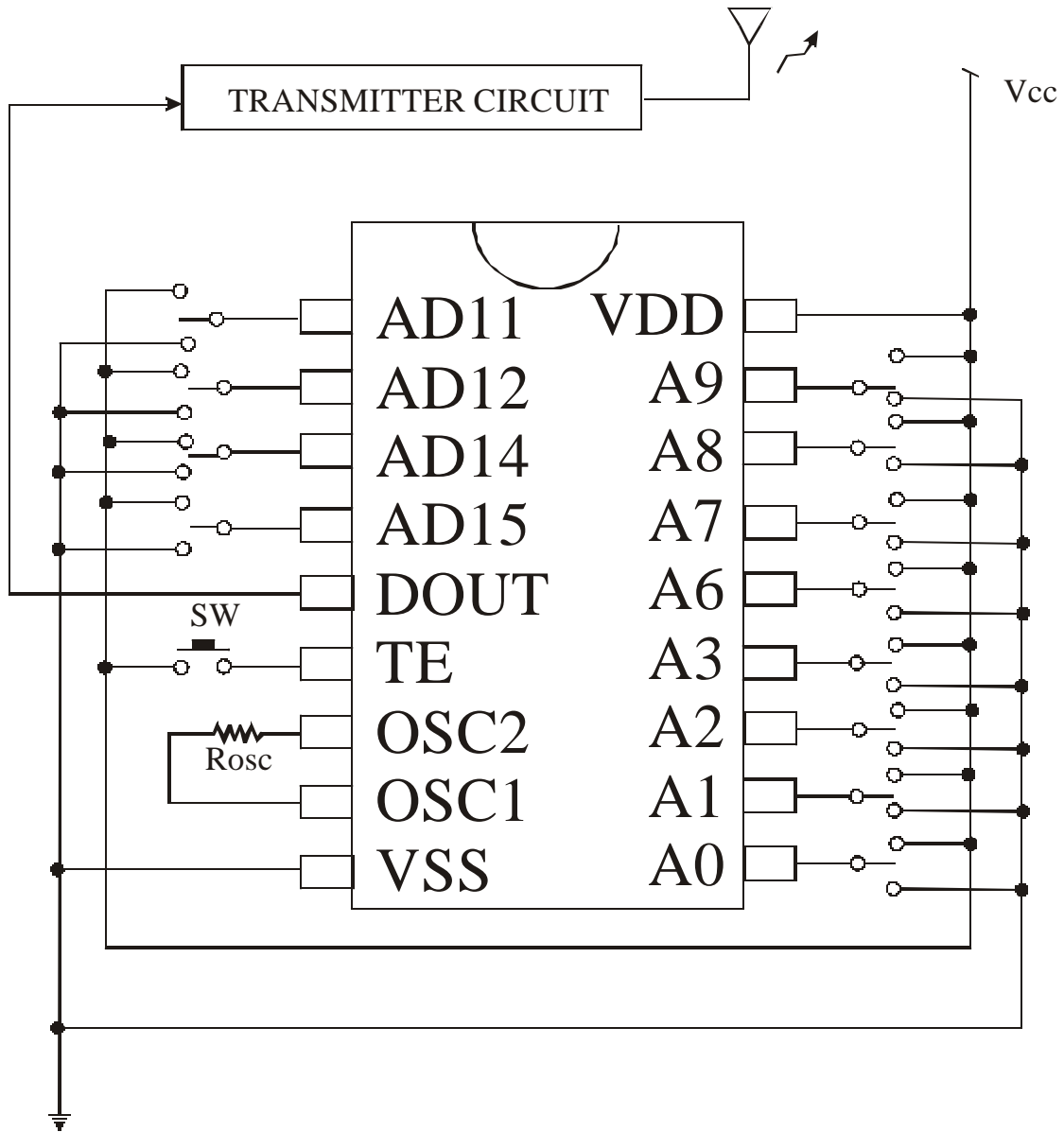
PT2607 APPLICATION CIRCUIT 1



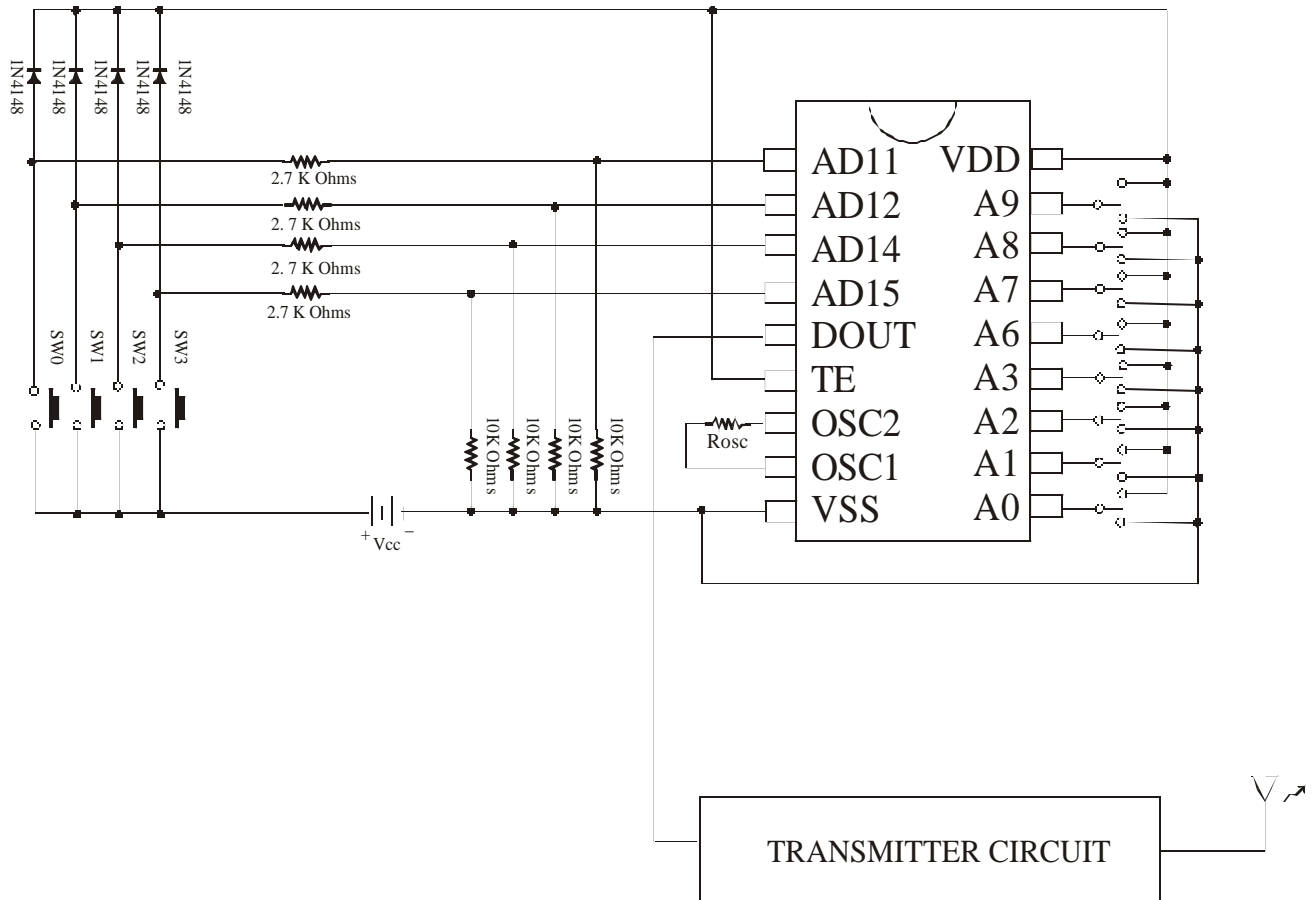
PT2607 APPLICATION CIRCUIT 2



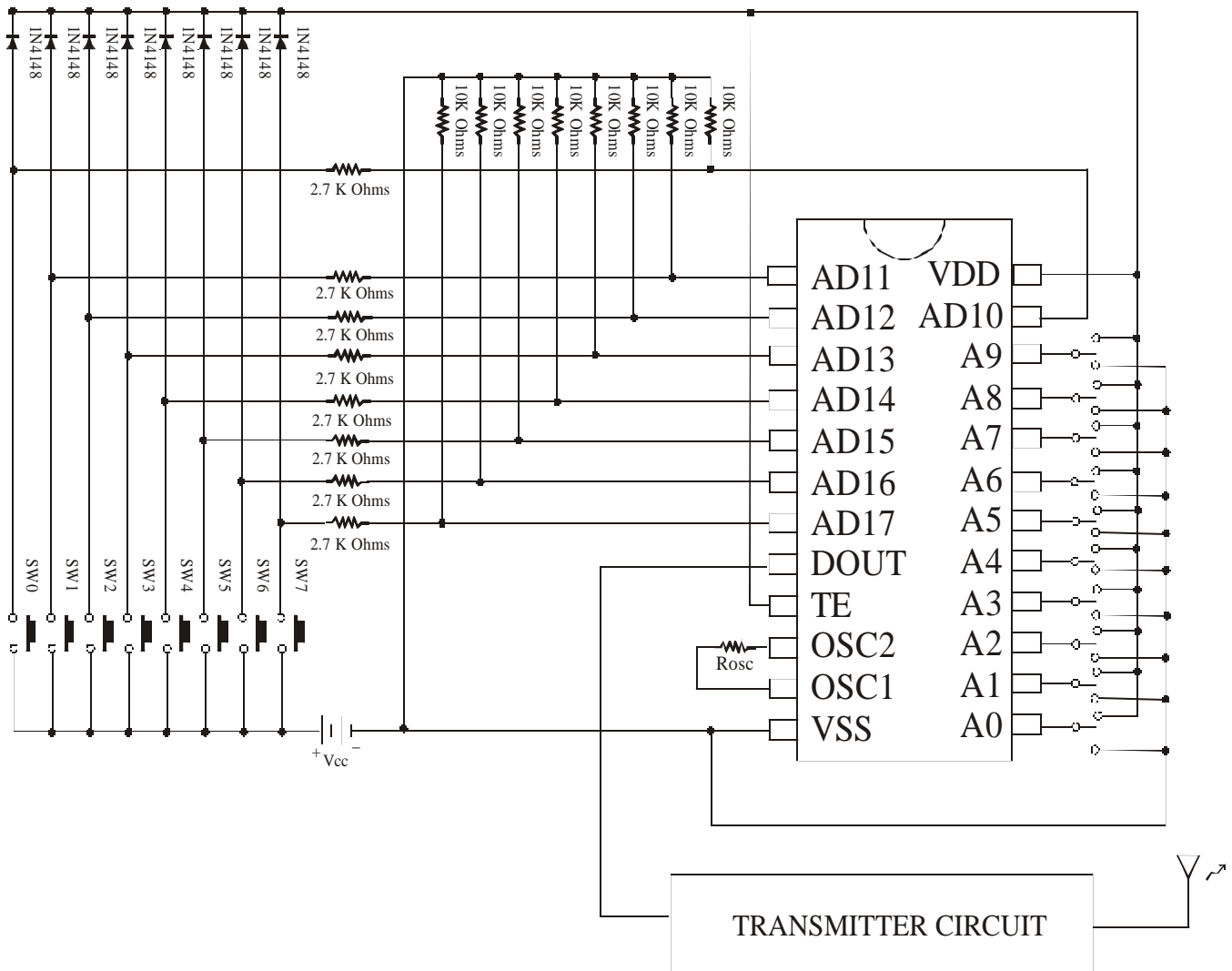
PT2607B APPLICATION CIRCUIT 1



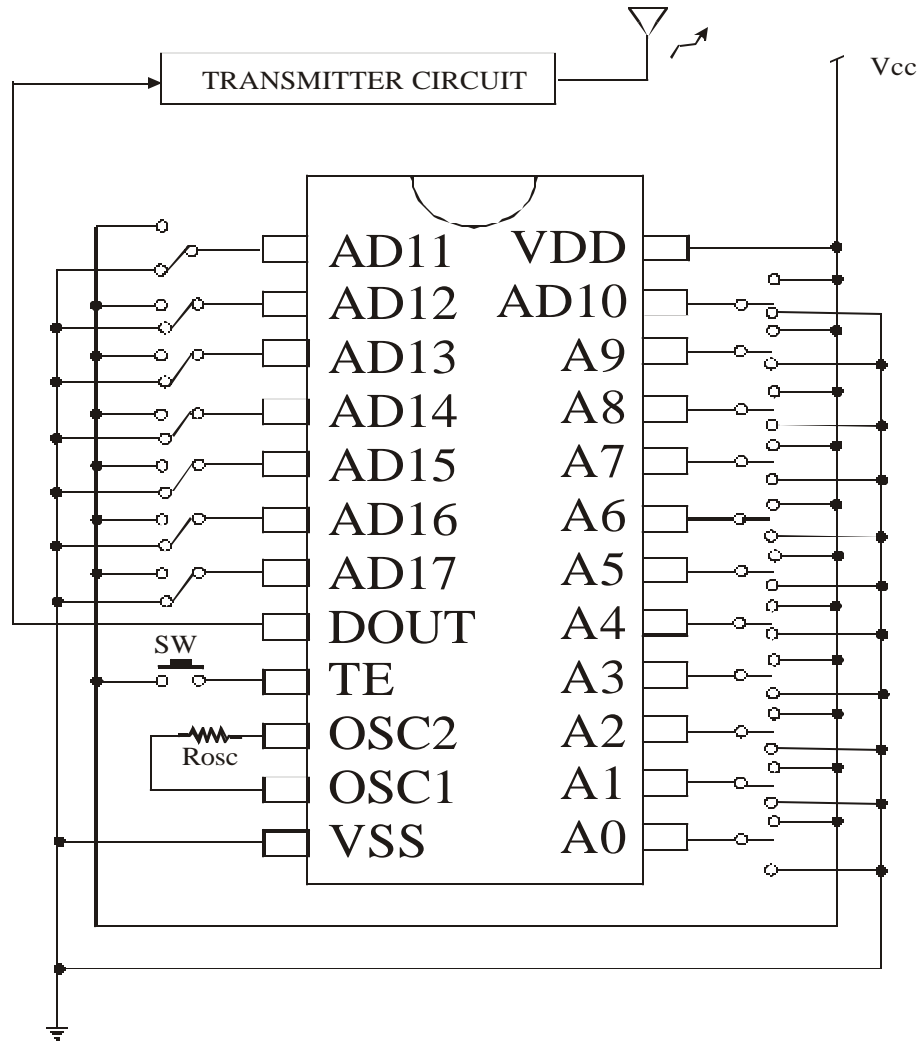
PT2607B APPLICATION CIRCUIT 2



PT2607C APPLICATION CIRCUIT 1



PT2607C APPLICATION CIRCUIT 2



ORDER INFORMATION

Order Part Number	Package Type	Top Code
PT2607	20 Pins, DIP Package	PT2607
PT2607-S	20 Pins, SOP Package	PT2607-S
PT2607B	18 Pins, DIP Package	PT2607B
PT2607B-S	18 Pins, SOP Package	PT2607B-S
PT2607C	24 Pins, DIP Package	PT2607C
PT2607C-S	24 Pins, SOP Package	PT2607C-S