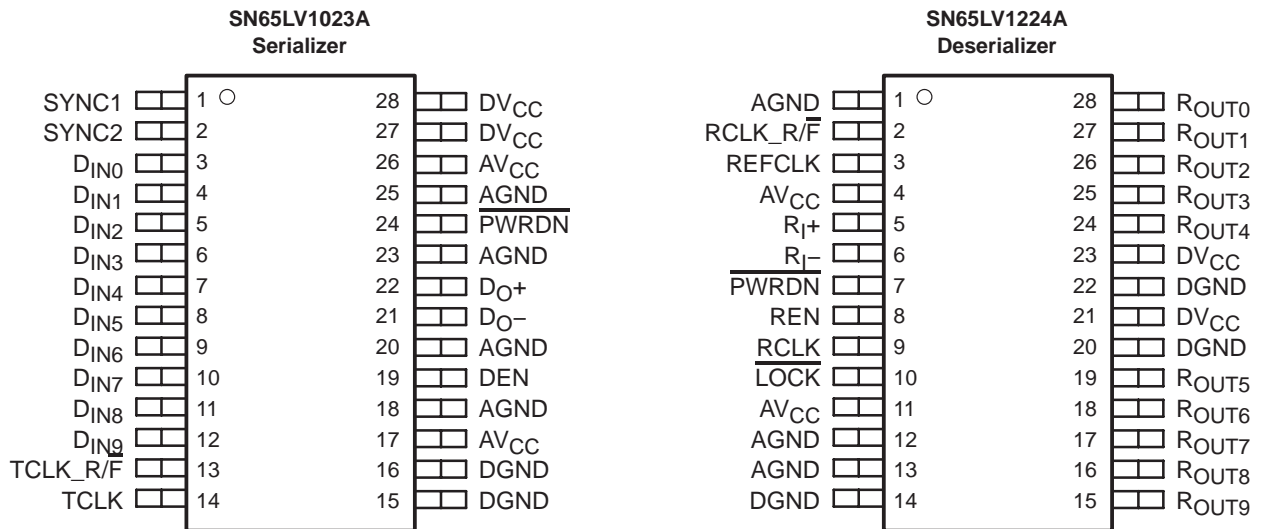


SN65LV1023A/SN65LV1224A

10-MHz TO 66-MHz, 10:1 LVDS SERIALIZER/DESERIALIZER

SLLS570C – JUNE 2003 – REVISED APRIL 2004

- 100-Mbps to 660-Mbps Serial LVDS Data Payload Bandwidth at 10-MHz to 66-MHz System Clock
- Pin-Compatible Superset of NSM DS92LV1023/DS92LV1224
- Chipset (Serializer/Deserializer) Power Consumption <450 mW (Typ) at 66 MHz
- Synchronization Mode for Faster Lock
- Lock Indicator
- No External Components Required for PLL
- Low-Cost 28-Pin SSOP Package
- Industrial Temperature Qualified, $T_A = -40^{\circ}\text{C}$ to 85°C
- Programmable Edge Trigger on Clock
- Flow-Through Pinout for Easy PCB Layout



description

The SN65LV1023A serializer and SN65LV1224A deserializer comprise a 10-bit serdes chipset designed to transmit and receive serial data over LVDS differential backplanes at equivalent parallel word rates from 10 MHz to 66 MHz. Including overhead, this translates into a serial data rate between 120-Mbps and 792-Mbps payload encoded throughput.

Upon power up, the chipset link can be initialized via a synchronization mode with internally generated SYNC patterns, or the deserializer can be allowed to synchronize to random data. By using the synchronization mode, the deserializer establishes lock within specified, shorter time parameters.

The device can be entered into a power-down state when no data transfer is required. Alternatively, a mode is available to place the output pins in the high-impedance state without losing PLL lock.

The SN65LV1023A and SN65LV1224A are characterized for operation over ambient air temperature of -40°C to 85°C .

ORDERING INFORMATION

DEVICE	PART NUMBER
Serializer	SN65LV1023ADB
Deserializer	SN65LV1224ADB



Please be aware that an important notice concerning availability, standard warranty, and use in critical applications of Texas Instruments semiconductor products and disclaimers thereto appears at the end of this data sheet.

PRODUCTION DATA information is current as of publication date. Products conform to specifications per the terms of Texas Instruments standard warranty. Production processing does not necessarily include testing of all parameters.



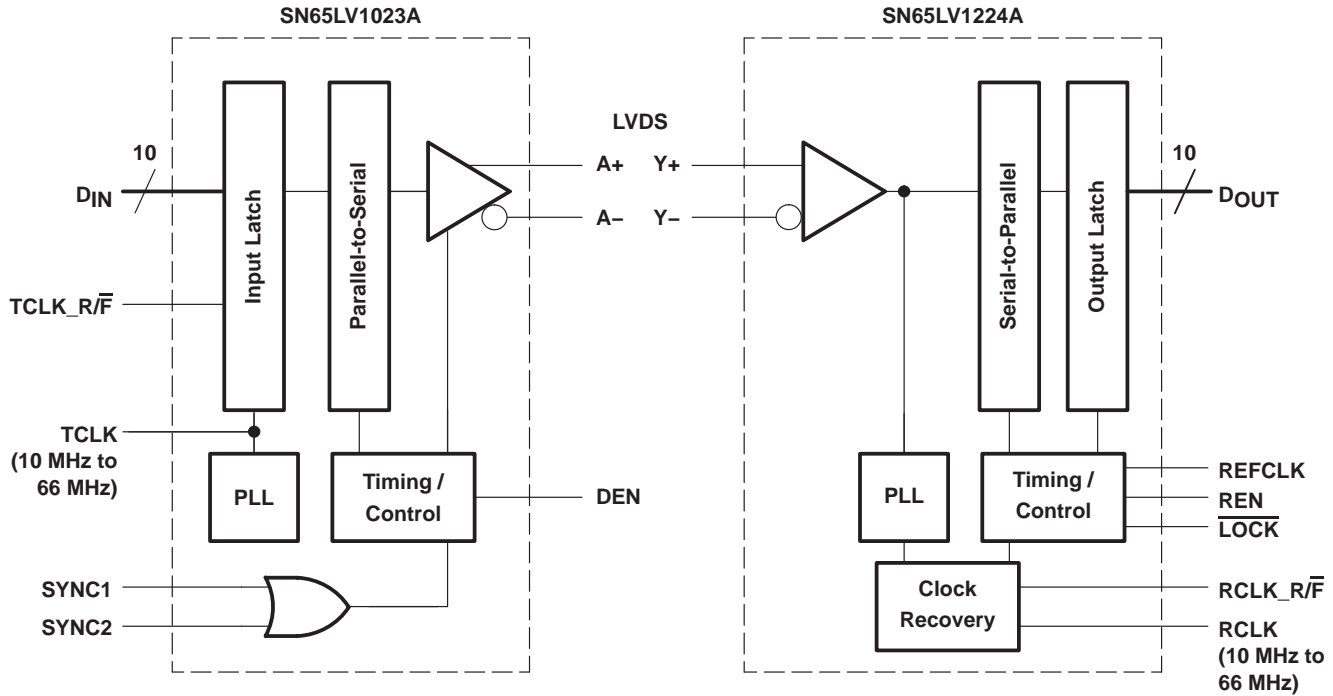
POST OFFICE BOX 655303 • DALLAS, TEXAS 75265

Copyright © 2003 – 2004, Texas Instruments Incorporated

SN65LV1023A/SN65LV1224A 10-MHz TO 66-MHz, 10:1 LVDS SERIALIZER/DESERIALIZER

SLLS570C – JUNE 2003 – REVISED APRIL 2004

block diagrams



functional description

The SN65LV1023A and SN65LV1224A are a 10-bit serializer/deserializer chipset designed to transmit data over differential backplanes or unshielded twisted pair (UTP) at clock speeds from 10 MHz to 66 MHz. The chipset has five states of operation: initialization mode, synchronization mode, data transmission mode, power-down mode, and high-impedance mode. The following sections describe each state of operation.

initialization mode

Initialization of both devices must occur before data transmission can commence. Initialization refers to synchronization of the serializer and deserializer PLLs to local clocks.

When V_{CC} is applied to the serializer and/or deserializer, the respective outputs enter the high-impedance state, while on-chip power-on circuitry disables internal circuitry. When V_{CC} reaches 2.45 V, the PLL in each device begins locking to a local clock. For the serializer, the local clock is the transmit clock (TCLK) provided by an external source. For the deserializer, a local clock must be applied to the REFCLK pin. The serializer outputs remain in the high-impedance state, while the PLL locks to the TCLK.

functional description (continued)

synchronization mode

The deserializer PLL must synchronize to the serializer in order to receive valid data. Synchronization can be accomplished in one of two ways:

- **Rapid Synchronization:** The serializer has the capability to send specific SYNC patterns consisting of six ones and six zeros switching at the input clock rate. The transmission of SYNC patterns enables the deserializer to lock to the serializer signal within a deterministic time frame. This transmission of SYNC patterns is selected via the SYNC1 and SYNC2 inputs on the serializer. Upon receiving valid SYNC1 or SYNC2 pulse (wider than 6 clock cycles), 1026 cycles of SYNC pattern are sent.

When the deserializer detects edge transitions at the LVDS input, it attempts to lock to the embedded clock information. The deserializer $\overline{\text{LOCK}}$ output remains high while its PLL locks to the incoming data or SYNC patterns present on the serial input. When the deserializer locks to the LVDS data, the $\overline{\text{LOCK}}$ output goes low. When $\overline{\text{LOCK}}$ is low, the deserializer outputs represent incoming LVDS data. One approach is to tie the deserializer $\overline{\text{LOCK}}$ output directly to SYNC1 or SYNC2.

- **Random-Lock Synchronization:** The deserializer can attain lock to a data stream without requiring the serializer to send special SYNC patterns. This allows the SN65LV1224A to operate in open-loop applications. Equally important is the deserializer's ability to support hot insertion into a running backplane. In the open-loop or hot-insertion case, it is assumed the data stream is essentially random. Therefore, because lock time varies due to data stream characteristics, the exact lock time cannot be predicted. The primary constraint on the random lock time is the initial phase relation between the incoming data and the REFCLK when the deserializer powers up.

The data contained in the data stream can also affect lock time. If a specific pattern is repetitive, the deserializer could enter false lock—falsely recognizing the data pattern as the start/stop bits. This is referred to as repetitive multitransition (RMT); see Figure 1 for RMT examples. This occurs when more than one low-high transition takes place per clock cycle over multiple cycles. In the worst case, the deserializer could become locked to the data pattern rather than the clock. Circuitry within the deserializer can detect that the possibility of false lock exists. Upon detection, the circuitry prevents the $\overline{\text{LOCK}}$ output from becoming active until the potential false lock pattern changes. Notice that the RMT pattern only affects the deserializer lock time, and once the deserializer is in lock, the RMT pattern does not affect the deserializer state as long as the same data boundary happens each cycle. The deserializer does not go into lock until it finds a unique four consecutive cycles of data boundary (stop/start bits) at the same position.

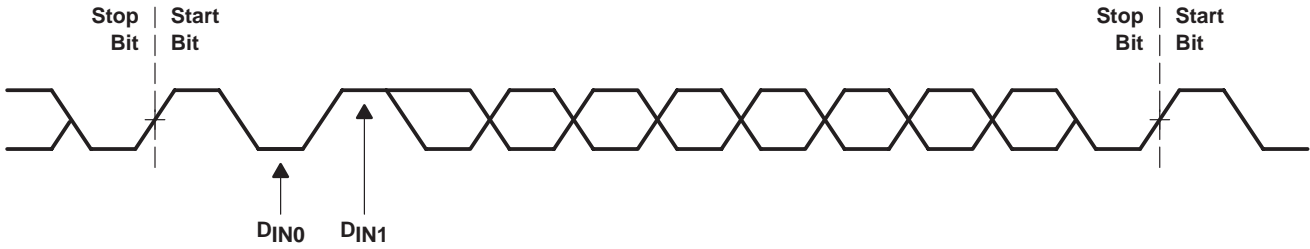
The deserializer stays in lock until it cannot detect the same data boundary (stop/start bits) for four consecutive cycles. Then the deserializer goes out of lock and hunts for the new data boundary (stop/start bits). In the event of loss of synchronization, the $\overline{\text{LOCK}}$ pin output goes high and the outputs (including RCLK) enter a high-impedance state. The user's system should monitor the $\overline{\text{LOCK}}$ pin in order to detect a loss of synchronization. Upon detection of loss of lock, sending sync patterns for resynchronization is desirable if reestablishing lock within a specific time is critical. However, the deserializer can lock to random data as previously noted.

SN65LV1023A/SN65LV1224A 10-MHz TO 66-MHz, 10:1 LVDS SERIALIZER/DESERIALIZER

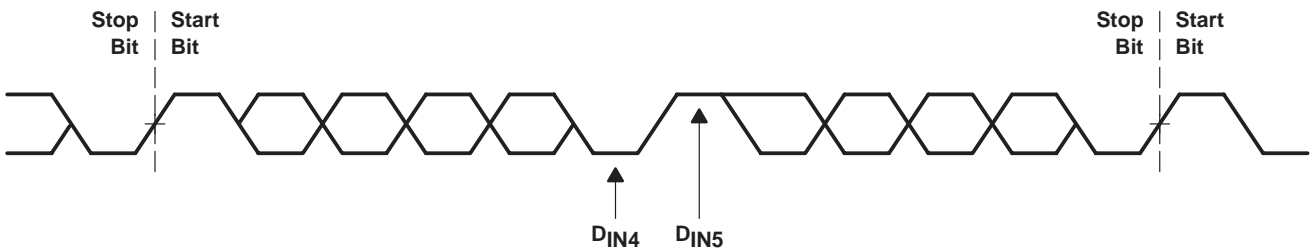
SLLS570C – JUNE 2003 – REVISED APRIL 2004

synchronization mode (continued)

D_{IN0} Held Low and D_{IN1} Held High



D_{IN4} Held Low and D_{IN5} Held High



D_{IN8} Held Low and D_{IN9} Held High

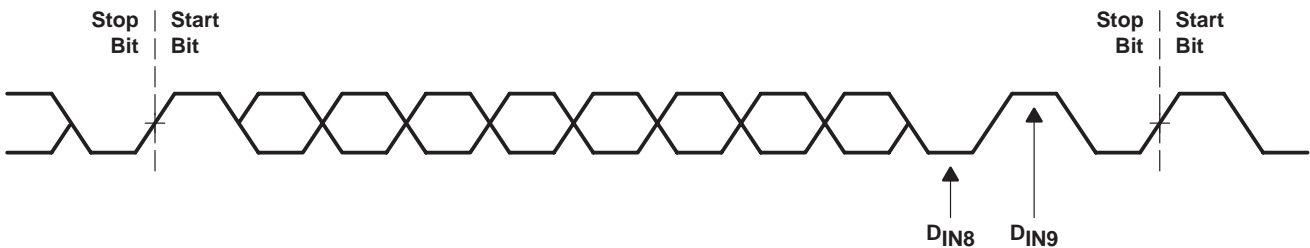


Figure 1. RMT Pattern Examples

data transmission mode

After initialization and synchronization, the serializer accepts parallel data from inputs D_{IN0}–D_{IN9}. The serializer uses the TCLK input to latch the incoming data. The TCLK_R/F pin selects which edge the serializer uses to strobe incoming data. If either of the SYNC inputs is high for six TCLK cycles, the data at D_{IN0}–D_{IN9} is ignored regardless of the clock edge selected and 1026 cycles of SYNC pattern are sent.

After determining which clock edge to use, a start and stop bit, appended internally, frames the data bits in the register. The start bit is always high and the stop bit is always low. The start and stop bits function as the embedded clock bits in the serial stream.

The serializer transmits serialized data and appended clock bits (10+2 bits) from the serial data output (DO±) at 12 times the TCLK frequency. For example, if TCLK is 66 MHz, the serial rate is 66 × 12 = 792 Mbps. Because only 10 bits are input data, the useful data rate is 10 times the TCLK frequency. For instance, if TCLK = 66 MHz, the useful data rate is 66 × 10 = 660 Mbps. The data source, which provides TCLK, must be in the range of 10 MHz to 66 MHz.

functional description (continued)

The serializer outputs (DO±) can drive point-to-point connections or limited multipoint or multidrop backplanes. The outputs transmit data when the enable pin (DEN) is high, PWRDN = high, and SYNC1 and SYNC2 are low. When DEN is driven low, the serializer output pins enter the high-impedance state.

Once the deserializer has synchronized to the serializer, the $\overline{\text{LOCK}}$ pin transitions low. The deserializer locks to the embedded clock and uses it to recover the serialized data. ROUT data is valid when $\overline{\text{LOCK}}$ is low, otherwise ROUT0–ROUT9 is invalid. The ROUT0–ROUT9 data is strobed out by RCLK. The specific RCLK edge polarity to be used is selected by the RCLK_R/F input. The ROUT0–ROUT9, $\overline{\text{LOCK}}$ and RCLK outputs can drive a maximum of three CMOS input gates (15-pF load. total for all three) with a 66-MHz clock.

power down

When no data transfer is required, the power-down mode can be used. The serializer and deserializer use the power-down state, a low-power sleep mode, to reduce power consumption. The deserializer enters power down when you drive $\overline{\text{PWRDN}}$ and REN low. The serializer enters power down when you drive $\overline{\text{PWRDN}}$ low. In power down, the PLL stops and the outputs enter a high-impedance state, which disables load current and reduces supply current to the milliampere range. To exit power down, you must drive the $\overline{\text{PWRDN}}$ pin high.

Before valid data exchanges between the serializer and deserializer can resume, you must reinitialize and resynchronize the devices to each other. Initialization of the serializer takes 1026 TCLK cycles. The deserializer initialize and drives $\overline{\text{LOCK}}$ high until lock to the LVDS clock occurs.

high-impedance mode

The serializer enters the high-impedance mode when the DEN pin is driven low. This puts both driver output pins (DO+ and DO–) into a high-impedance state. When you drive DEN high, the serializer returns to the previous state, as long as all other control pins remain static (SYNC1, SYNC2, $\overline{\text{PWRDN}}$, TCLK_R/F). When the REN pin is driven low, the deserializer enters high-impedance mode. Consequently, the receiver output pins (ROUT0–ROUT9) and RCLK are placed into the high-impedance state. The $\overline{\text{LOCK}}$ output remains active, reflecting the state of the PLL.

Deserializer Truth Table

INPUTS		OUTPUTS		
$\overline{\text{PWRDN}}$	REN	ROUT[0:9]	$\overline{\text{LOCK}}$	RCLK
H	H	Z	H	Z
H	H	Active	L	Active
L	X	Z	Z	Z
H	L	Z	Active	Z

- NOTES:
1. $\overline{\text{LOCK}}$ output reflects the state of the deserializer with regard to the selected data stream.
 2. RCLK active indicates the RCLK is running if the deserializer is locked. The timing of RCLK with respect to ROUT is determined by RCLK_R/F.
 3. ROUT and RCLK are 3-stated when $\overline{\text{LOCK}}$ is asserted high.

failsafe biasing for the SN65LV1224A

The SN65LV1224A has an input threshold sensitivity of ±50 mV. This allows for greater differential noise margin in the SN65LV1224A. However, in cases where the receiver input is not being actively driven, the increased sensitivity of the SN65LV1224A can pickup noise as a signal and cause unintentional locking. This may occur when the input cable is disconnected. SN65LV1224A has an on-chip fail-safe circuit that drives the serial input and $\overline{\text{LOCK}}$ Signal high. The response time of the fail-safe circuit depends on interconnect characteristics.

SN65LV1023A/SN65LV1224A

10-MHz TO 66-MHz, 10:1 LVDS SERIALIZER/DESERIALIZER

SLLS570C – JUNE 2003 – REVISED APRIL 2004

Terminal Functions

serializer

PIN	NAME	DESCRIPTION
18, 20, 23, 25	AGND	Analog circuit ground (PLL and analog circuits)
17, 26	AV _{CC}	Analog circuit power supply (PLL and analog circuits)
19	DEN	LVTTTL logic input. Low puts the LVDS serial output into the high-impedance state. High enables serial data output.
15, 16	DGND	Digital circuit ground
3–12	D _{IN0} – D _{IN9}	Parallel LVTTTL data inputs
21	D _{O-}	Inverting LVDS differential output
22	D _{O+}	Noninverting LVDS differential output
27, 28	DV _{CC}	Digital circuit power supply
24	PWRDN	LVTTTL logic input. Asserting this pin low turns off the PLL and places the outputs into the high-impedance state, putting the device into a low-power mode.
1, 2	SYNC1, SYNC2	LVTTTL logic inputs SYNC1 and SYNC2 are ORed together. When at least one of the two pins is asserted high for 6 cycles of TCLK, the serializer initiates transmission of a minimum 1026 SYNC patterns. If after completion of the transmission of 1026 patterns SYNC continues to be asserted, then the transmission continues until SYNC is driven low and if the time SYNC holds > 6 cycles, another 1026 SYNC pattern transmission initiates.
13	TCLK_R/ \bar{F}	LVTTTL logic input. Low selects a TCLK falling-edge data strobe; high selects a TCLK rising-edge data strobe.
14	TCLK	LVTTTL-level reference clock input. The SN65LV1023A accepts a 10-MHz to 66-MHz clock. TCLK strobes parallel data into the input latch and provides a reference frequency to the PLL.

deserializer

PIN	NAME	DESCRIPTION
1, 12, 13	AGND	Analog circuit ground (PLL and analog circuits)
4, 11	AV _{CC}	Analog circuit power supply (PLL and analog circuits)
14, 20, 22	DGND	Digital circuit ground
21, 23	DV _{CC}	Digital circuit power supply
10	LOCK	LVTTTL level output. LOCK goes low when the deserializer PLL locks onto the embedded clock edge.
7	PWRDN	LVTTTL logic input. Asserting this pin low turns off the PLL and places outputs into a high-impedance state, putting the device into a low-power mode. To initiate power down, this pin is held low for a minimum of 16 ns. As long as PWRDN is held low, the device is in the power down state.
2	RCLK_R/ \bar{F}	LVTTTL logic input. Low selects an RCLK falling-edge data strobe; high selects an RCLK rising-edge data strobe.
9	RCLK	LVTTTL level output recovered clock. Use RCLK to strobe R _{OUTx} .
3	REFCLK	LVTTTL logic input. Use this pin to supply a REFCLK signal for the internal PLL frequency.
8	REN	LVTTTL logic input. Low places R _{OUT0} –R _{OUT9} and RCLK in the high-impedance state.
5	R _{I+}	Serial data input. Noninverting LVDS differential input
6	R _{I-}	Serial data input. Inverting LVDS differential input
15–19, 24–28	R _{OUT0} –R _{OUT9}	Parallel LVTTTL data outputs



SN65LV1023A/SN65LV1224A

10-MHz TO 66-MHz, 10:1 LVDS SERIALIZER/DESERIALIZER

SLLS570C – JUNE 2003 – REVISED APRIL 2004

absolute maximum ratings (unless otherwise noted)†

V_{CC} to GND	-0.3 V to 4 V
LVTTTL input voltage	-0.3 V to ($V_{CC} + 0.3$ V)
LVTTTL output voltage	-0.3 V to ($V_{CC} + 0.3$ V)
LVDS receiver input voltage	-0.3 V to 3.9 V
LVDS driver output voltage	-0.3 V to 3.9 V
LVDS output short circuit duration	10 ms
Electrostatic discharge: HBM	up to 6 kV
MM	up to 200 V
Junction temperature	150°C
Storage temperature	-65°C to 150°C
Lead temperature (soldering, 4 seconds)	260°C
Maximum package power dissipation, $T_A = 25^\circ\text{C}$	1.27 W
Package derating	10.3 mW/°C above 25°C

† Stresses beyond those listed under “absolute maximum ratings” may cause permanent damage to the device. These are stress ratings only, and functional operation of the device at these or any other conditions beyond those indicated under “recommended operating conditions” is not implied. Exposure to absolute-maximum-rated conditions for extended periods may affect device reliability.

recommended operating conditions

	MIN	NOM	MAX	UNIT
Supply voltage, V_{CC}^\ddagger	3	3.3	3.6	V
Receiver input voltage range	0		2.4	V
Receiver input common mode range, V_{CM}	$\frac{V_{ID}}{2}$	$2.4 - \left(\frac{V_{ID}}{2}\right)$		V
Supply noise voltage			100	mV _{P-P}
Operating free-air temperature, T_A	-40	25	85	°C

‡ By design, DVCC and AVCC are separated internally and does not matter what the difference is for $|DVCC - AVCC|$, as long as both are within 3 V to 3.6 V.



SN65LV1023A/SN65LV1224A

10-MHz TO 66-MHz, 10:1 LVDS SERIALIZER/DESERIALIZER

SLLS570C – JUNE 2003 – REVISED APRIL 2004

electrical characteristics over recommended operating supply and temperature ranges (unless otherwise noted)

PARAMETER	TEST CONDITIONS	MIN	TYP	MAX	UNIT
SERIALIZER LVCMOS/LVTTL DC SPECIFICATIONS (see Note 4)					
V _{IH}	High-level input voltage	2		V _{CC}	V
V _{IL}	Low-level input voltage	GND		0.8	V
V _{CL}	Input clamp voltage		-0.86	-1.5	V
I _{IN}	Input current (see Note 5)		±100	200	μA
DESERIALIZER LVCMOS/LVTTL DC SPECIFICATIONS (see Note 6)					
V _{IH}	High-level input voltage	2		V _{CC}	V
V _{IL}	Low-level input voltage	GND		0.8	V
V _{CL}	Input clamp voltage		-0.62	-1.5	V
I _{IN}	Input current (pull-up and pull-down resistors on inputs)		-200	200	μA
V _{OH}	High-level output voltage		2.2	3	V _{CC}
V _{OL}	Low-level output voltage		GND	0.25	0.5
I _{OS}	Output short-circuit current		-15	-47	-85
I _{OZ}	High-impedance output current		-10	±1	10
SERIALIZER LVDS DC SPECIFICATIONS (apply to pins DO+ and DO-)					
V _{OD}	Output differential voltage (DO+)-(DO-)		350	450	mV
ΔV _{OD}	Output differential voltage unbalance			35	mV
V _{OS}	Offset voltage		1.1	1.2	1.3
ΔV _{OS}	Offset voltage unbalance			4.8	35
I _{OS}	Output short circuit current			-10	-90
I _{OZ}	High-impedance output current		-10	±1	10
I _{OX}	Power-off output current		-20	±1	25
DESERIALIZER LVDS DC SPECIFICATIONS (apply to pins RI+ and RI-)					
V _{TH}	Differential threshold high voltage			50	mV
V _{TL}	Differential threshold low voltage		-50		mV
I _{IN}	Input current		-10	±1	15
			-10	±0.05	10
SERIALIZER SUPPLY CURRENT (applies to pins DVCC and AVCC)					
I _{CCD}	Serializer supply current worst case	R _L = 27 Ω, See Figure 4	f = 10 MHz	20	25
			f = 66 MHz	55	70
I _{CCXD}	Serializer supply current	PWRDN = 0.8 V		200	500
DESERIALIZER SUPPLY CURRENT (applies to pins DVCC and AVCC)					
I _{CCR}	Deserializer supply current, worst case	C _L = 15 pF, See Figure 4	f = 10 MHz	15	35
			f = 66 MHz	80	95
I _{CCXR}	Deserializer supply current, power down	PWRDN = 0.8 V, REN = 0.8 V		0.36	1

- NOTES: 4. Apply to D_{IN0}-D_{IN9}, TCLK, PWRDN, TCLK_R/F, SYNC1, SYNC2, DEN
5. High I_{IN} values are due to pullup and pulldown resistors on the inputs.
6. Apply to pins PWRDN, RCLK_R/F, REN, REFCLK = inputs; apply to pins R_{OUTx}, RCLK, LOCK = outputs



SN65LV1023A/SN65LV1224A

10-MHz TO 66-MHz, 10:1 LVDS SERIALIZER/DESERIALIZER

SLLS570C – JUNE 2003 – REVISED APRIL 2004

serializer timing requirements for TCLK over recommended operating supply and temperature ranges (unless otherwise specified)

PARAMETER		TEST CONDITIONS	MIN	TYP	MAX	UNIT
t _{TCP}	Transmit clock period		15.15	T	100	ns
t _{TCIH}	Transmit clock high time		0.4T	0.5T	0.6T	ns
t _{TCIL}	Transmit clock low time		0.4T	0.5T	0.6T	ns
t _{t(CLK)}	TCLK input transition time			3	6	ns
t _{JIT}	TCLK input jitter	See Figure 18			150	ps (RMS)
	Frequency Tolerance		-100		+100	ppm

serializer switching characteristics over recommended operating supply and temperature ranges (unless otherwise specified)

PARAMETER		TEST CONDITIONS	MIN	TYP	MAX	UNIT
t _{TLH(L)}	LVDS low-to-high transition time	R _L = 27 Ω, C _L = 10 pF to GND, See Figure 5		0.2	0.4	ns
t _{LTH(L)}	LVDS high-to-low transition time			0.25	0.4	ns
t _{su(DI)}	D _{IN0} –D _{IN9} setup to TCLK	R _L = 27 Ω, C _L = 10 pF to GND, See Figure 8	0.5			ns
t _{su(DI)}	D _{IN0} –D _{IN9} hold from TCLK		4			ns
t _{d(HZ)}	DO± high-to-high-impedance-state delay	R _L = 27 Ω, C _L = 10 pF to GND, See Figure 9		2.5	5	ns
t _{d(LZ)}	DO± low-to-high-impedance-state delay			2.5	5	
t _{d(ZH)}	DO± high-to-high-impedance-state-to-high delay			5	10	
t _{d(ZL)}	DO± high-to-high-impedance-state-to-low delay			6.5	10	
t _{w(SPW)}	SYNC pulse duration	R _L = 27 Ω, See Figure 11	6×t _{TCP}			ns
t _(PLD)	Serializer PLL lock time		1026×t _{TCP}			ns
t _{d(S)}	Serializer delay	R _L = 27 Ω, See Figure 12	t _{TCP} +1	t _{TCP} +2	t _{TCP} +3	ns
t _{DJIT}	Deterministic jitter	10 MHz				ps
		66 MHz	R _L = 27 Ω, C _L = 10 pF to GND			
t _{RJIT}	Random jitter	R _L = 2.7 Ω, C _L = 10 pF to GND		10	19	ps (RMS)

SN65LV1023A/SN65LV1224A

10-MHz TO 66-MHz, 10:1 LVDS SERIALIZER/DESERIALIZER

SLLS570C – JUNE 2003 – REVISED APRIL 2004

deserializer timing requirements for REFCLK over recommended operating supply and temperature ranges (unless otherwise specified)

PARAMETER		TEST CONDITIONS	MIN	TYP	MAX	UNIT
t _{RFCP}	REFCLK period		15.15	T	100	ns
t _{RFDC}	REFCLK duty cycle		30%	50%	70%	
t _{t(RF)}	REFCLK transition time			3	6	ns
	Frequency tolerance		-100		+100	ppm

deserializer switching characteristics over recommended operating supply and temperature ranges (unless otherwise specified)

PARAMETER	TEST CONDITIONS	PIN/FREQ	MIN	TYP	MAX	UNIT
t _(RCP)	Receiver out clock period	t _(RCP) = t _(TCP) , See Figure 12	RCLK	15.15	100	ns
t _{TLH(C)}	CMOS/TTL low-to-high transition time	C _L = 15 pF, See Figure 6	ROUT0–ROUT9, LOCK, RCLK	1.2	2.5	ns
t _{THL(C)}	CMOS/TTL high-to-low transition time			1.1	2.5	
t _{d(D)} [†]	Deserializer delay, See Figure 13	Room temperature, 3.3 V	10 MHz	1.75×t _{RCP} +4.2	1.75×t _{RCP} +12.6	ns
			66 MHz	1.75×t _{RCP} +7.4	1.75×t _{RCP} +9.7	
t _(ROS)	ROUT _x data valid before RCLK	See Figure 14	RCLK 10 MHz	0.4×t _{RCP}	0.5×t _{RCP}	ns
			RCLK 66 MHz	0.4×t _{RCP}	0.5×t _{RCP}	
t _(ROH)	ROUT _x data valid after RCLK		10 MHz	-0.4×t _{RCP}	-0.5×t _{RCP}	
			66 MHz	-0.4×t _{RCP}	-0.5×t _{RCP}	
t _(RDC)	RCLK duty cycle		40%	50%	60%	
t _{d(HZ)}	High-to-high-impedance state delay	See Figure 15	ROUT0–ROUT9	6.5	8	ns
t _{d(LZ)}	Low-to-high-impedance state delay			4.7	8	ns
t _{d(HR)}	High-impedance state-to-high delay			5.3	8	ns
t _{d(ZL)}	High-impedance-state-to-low delay			4.7	8	ns
t _(DSR1)	Deserializer PLL lock time from PWRDN (with SYNCPAT)			10 MHz		815 × t _{RFCP}
		66 MHz		815 × t _{RFCP}		
t _(DSR2)	Deserializer PLL lock time from SYNCPAT	10 MHz		0.7		
		66 MHz		0.2		
t _{d(ZHLK)}	High-impedance-state-to-high delay (power up)		LOCK	3	ns	

[†] The deserializer delay time for all frequencies does not exceed 2 serial bit times.

NOTE 7: t_(DSR1) represents the time required for the deserializer to register that a lock has occurred upon powerup or when leaving the powerdown mode. t_(DSR2) represents the time required to register that a lock has occurred for the powered up and enabled deserializer when the input (RI±) conditions change from not receiving data to receiving synchronization patterns (SYNCPATs). In order to specify deserializer PLL performance t_(DSR1) and t_(DSR2) are specified with REFCLK active and stable and specific conditions of SYNCPATs.



SN65LV1023A/SN65LV1224A

10-MHz TO 66-MHz, 10:1 LVDS SERIALIZER/DESERIALIZER

SLLS570C – JUNE 2003 – REVISED APRIL 2004

deserializer switching characteristics over recommended operating supply and temperature ranges (unless otherwise specified) (continued)

PARAMETER	TEST CONDITIONS	PIN/FREQ	MIN	TYP	MAX	UNIT
t_{RNM} Deserializer noise margin	See Figure 18 and Note 8	10 MHz		3680		ps
		66 MHz		540		

NOTE 8: t_{RNM} represents the phase noise or jitter that the deserializer can withstand in the incoming data stream before bit errors occur.

timing diagrams and test circuits

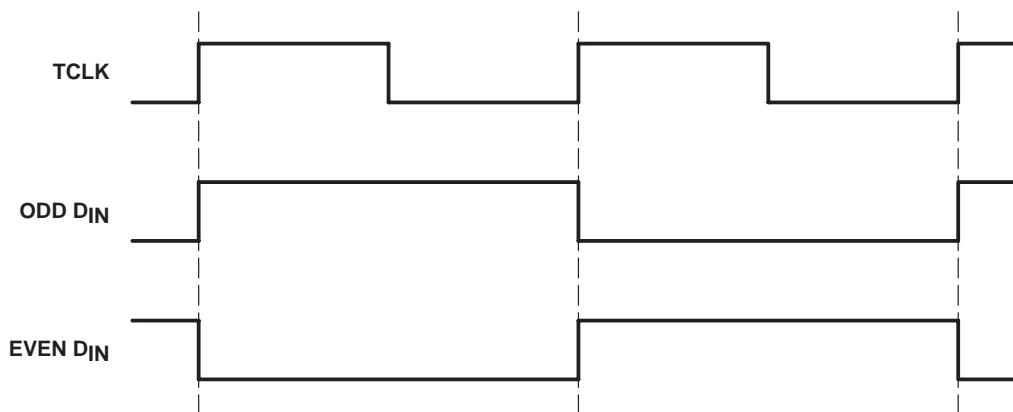


Figure 2. Worst-Case Serializer I_{CC} Test Pattern

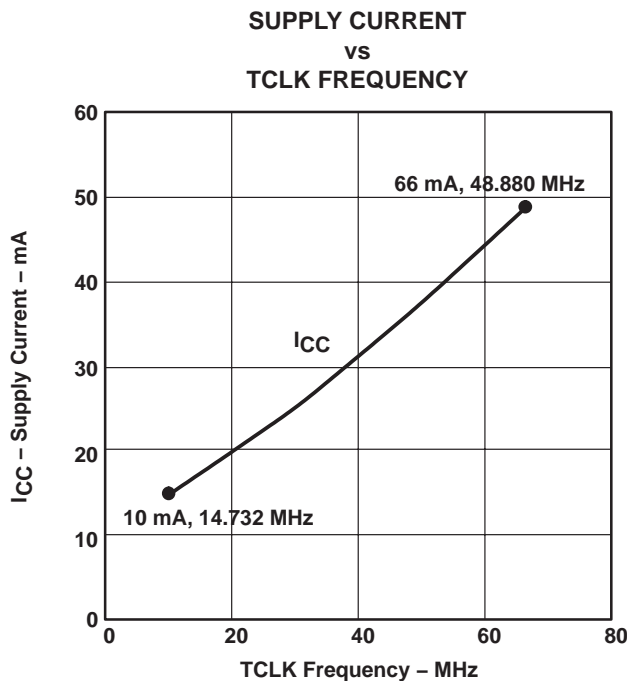


Figure 3.

SN65LV1023A/SN65LV1224A 10-MHz TO 66-MHz, 10:1 LVDS SERIALIZER/DESERIALIZER

SLLS570C – JUNE 2003 – REVISED APRIL 2004

timing diagrams and test circuits (continued)

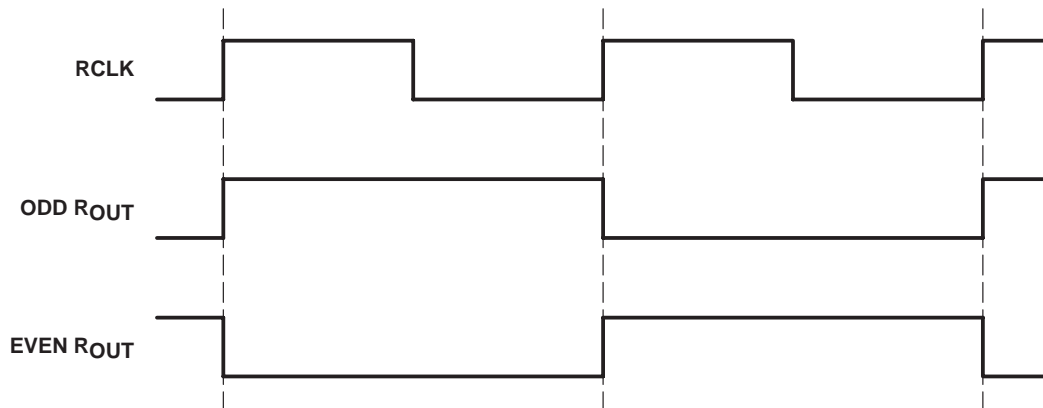


Figure 4. Worst-Case Deserializer I_{CC} Test Pattern

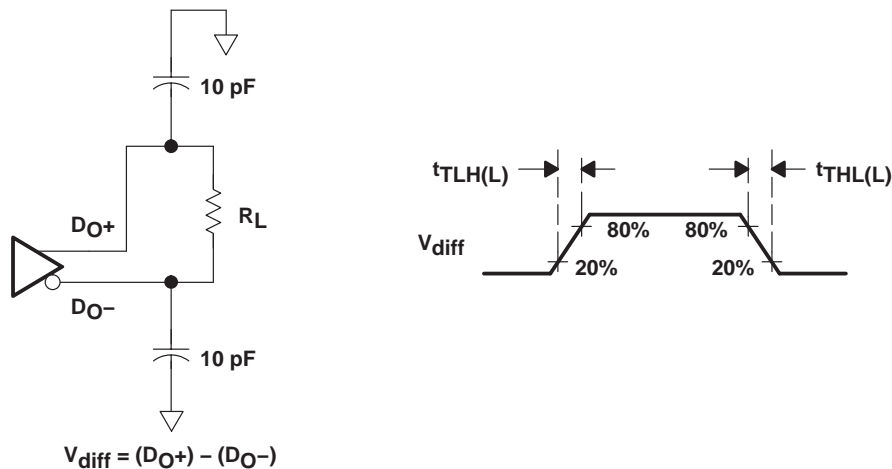


Figure 5. Serializer LVDS Output Load and Transition Times

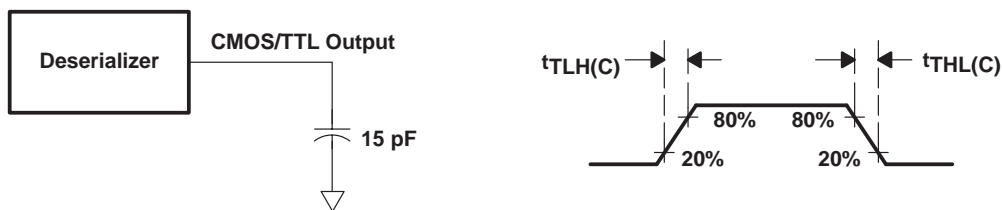


Figure 6. Deserializer CMOS/TTL Output Load and Transition Times

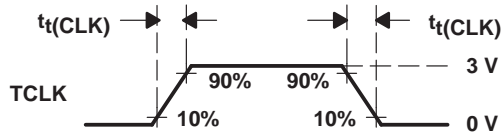


Figure 7. Serializer Input Clock Transition Time

timing diagrams and test circuits (continued)

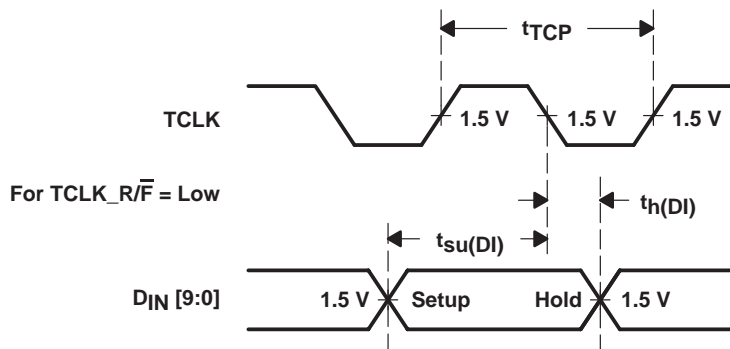


Figure 8. Serializer Setup/Hold Times

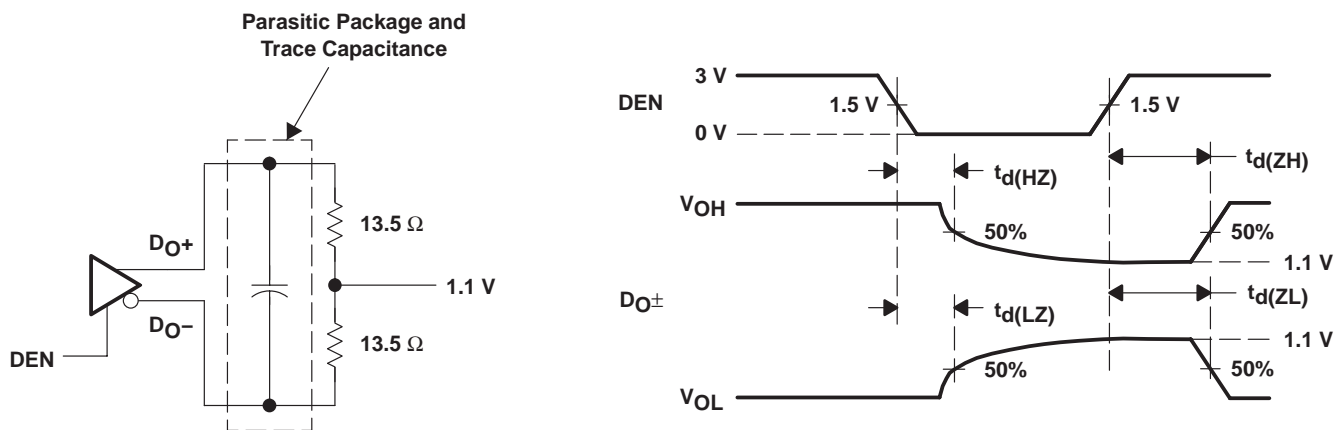


Figure 9. Serializer High-Impedance-State Test Circuit and Timing

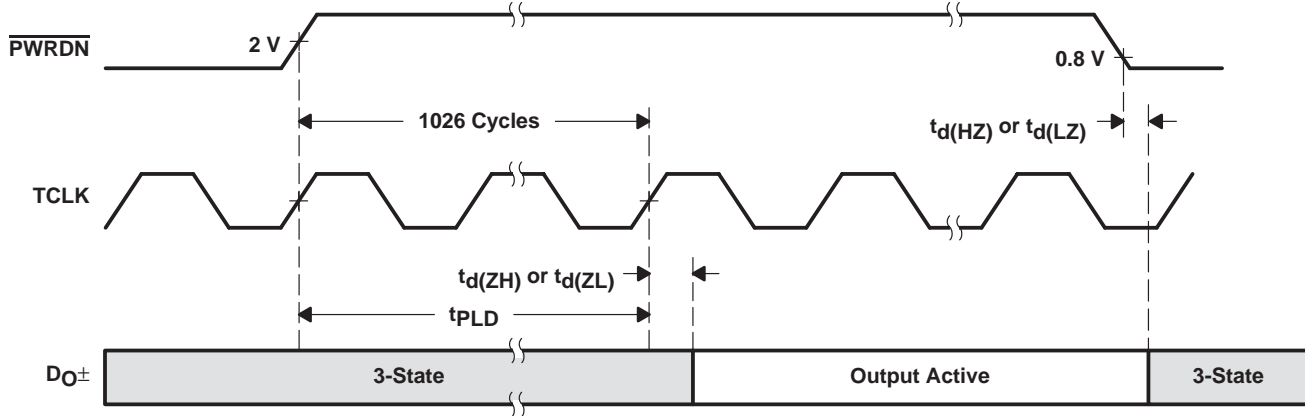


Figure 10. Serializer PLL Lock Time and $\overline{\text{PWRDN}}$ High-Impedance-State Delays

SN65LV1023A/SN65LV1224A 10-MHz TO 66-MHz, 10:1 LVDS SERIALIZER/DESERIALIZER

SLLS570C – JUNE 2003 – REVISED APRIL 2004

timing diagrams and test circuits (continued)

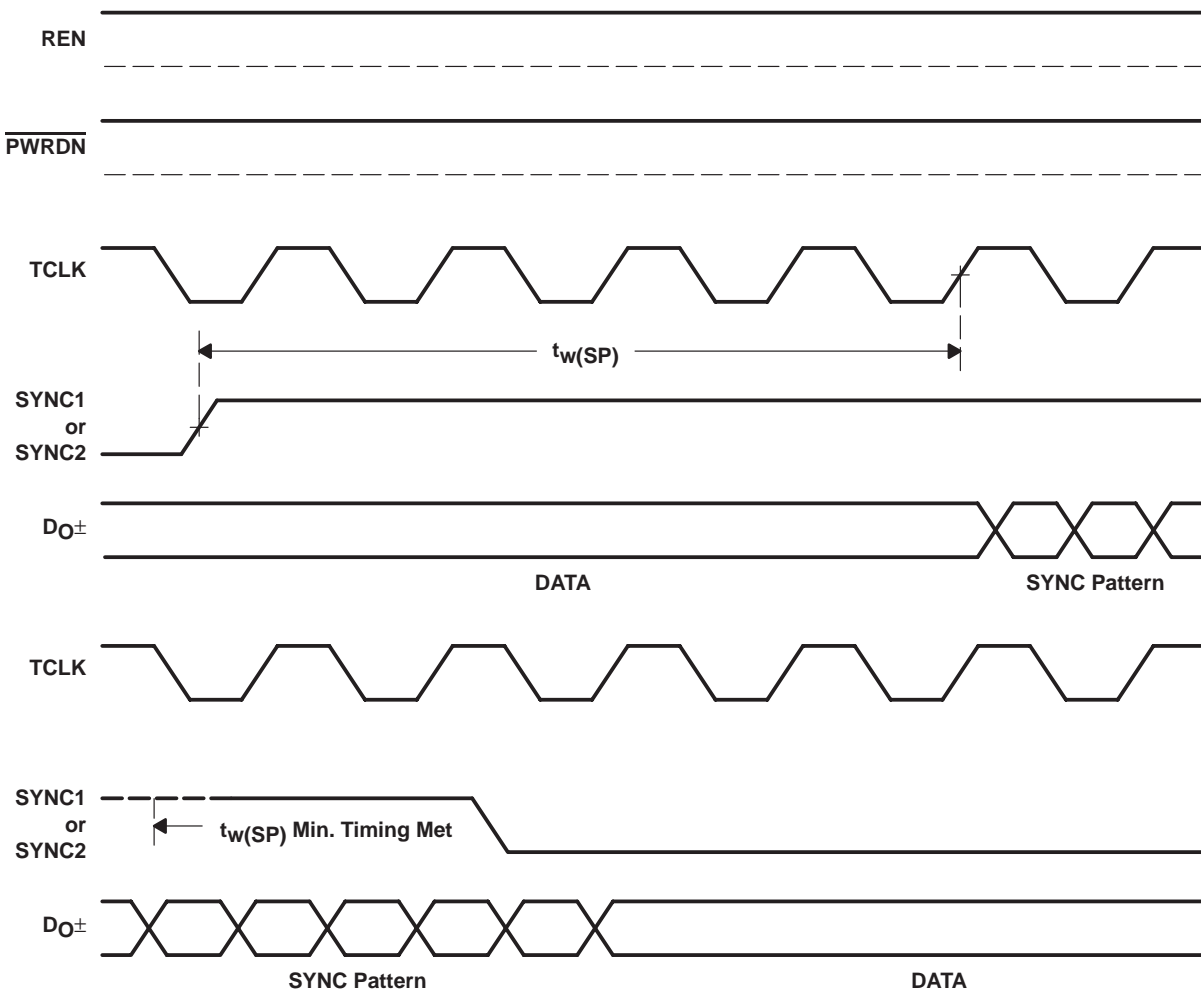


Figure 11. SYNC Timing Delays

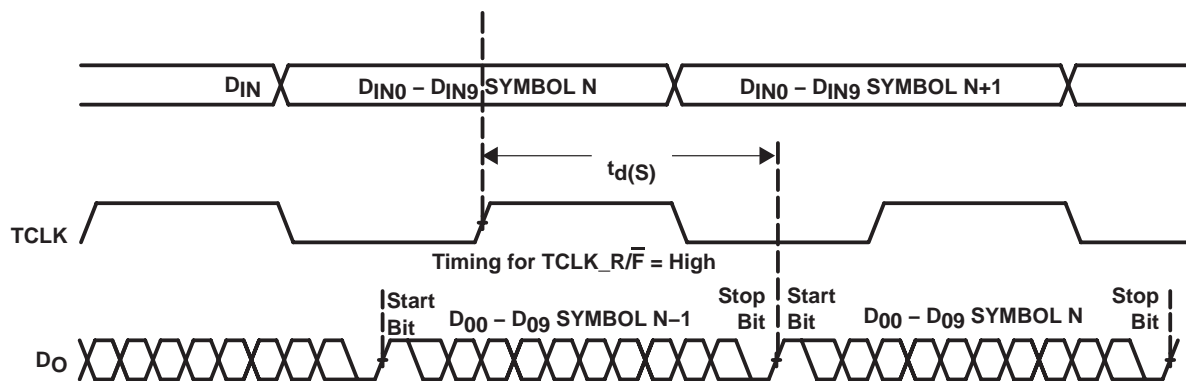


Figure 12. Serializer Delay



timing diagrams and test circuits (continued)

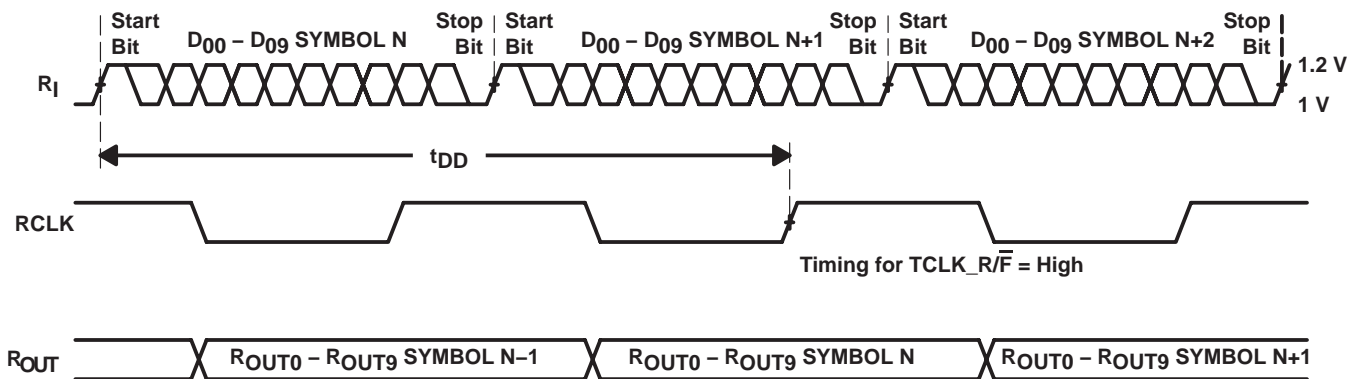


Figure 13. Deserializer Delay

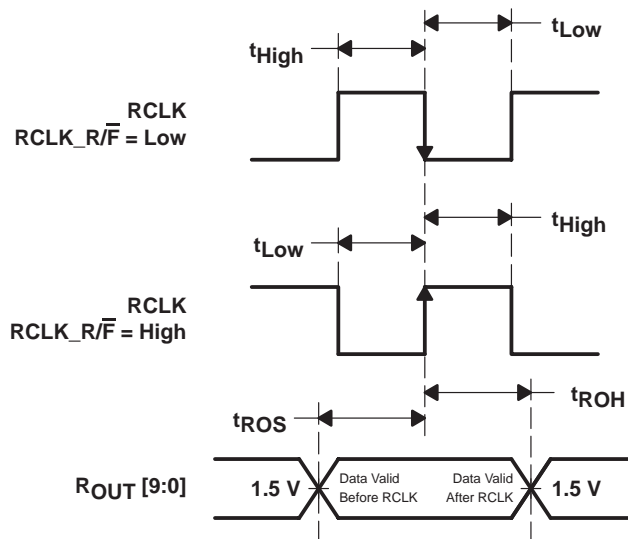


Figure 14. Deserializer Data Valid Out Times

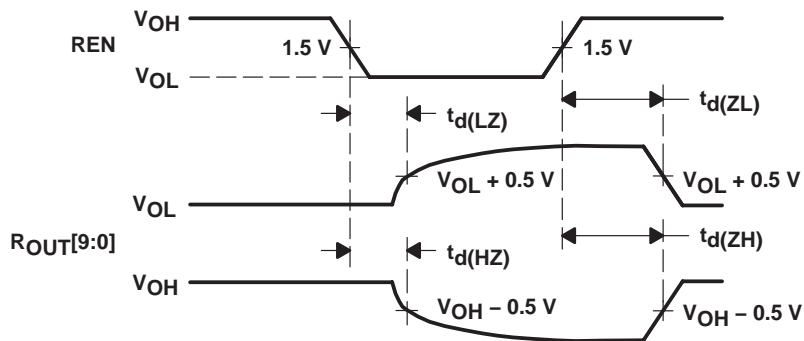
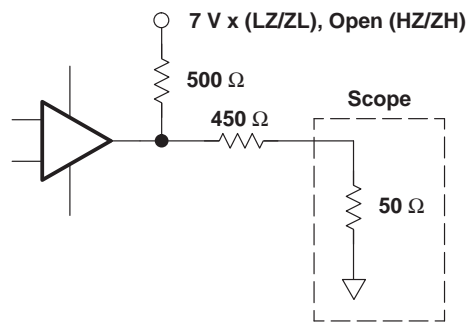


Figure 15. Deserializer High-Impedance-State Test Circuit and Timing

SN65LV1023A/SN65LV1224A 10-MHz TO 66-MHz, 10:1 LVDS SERIALIZER/DESERIALIZER

SLLS570C – JUNE 2003 – REVISED APRIL 2004

timing diagrams and test circuits (continued)

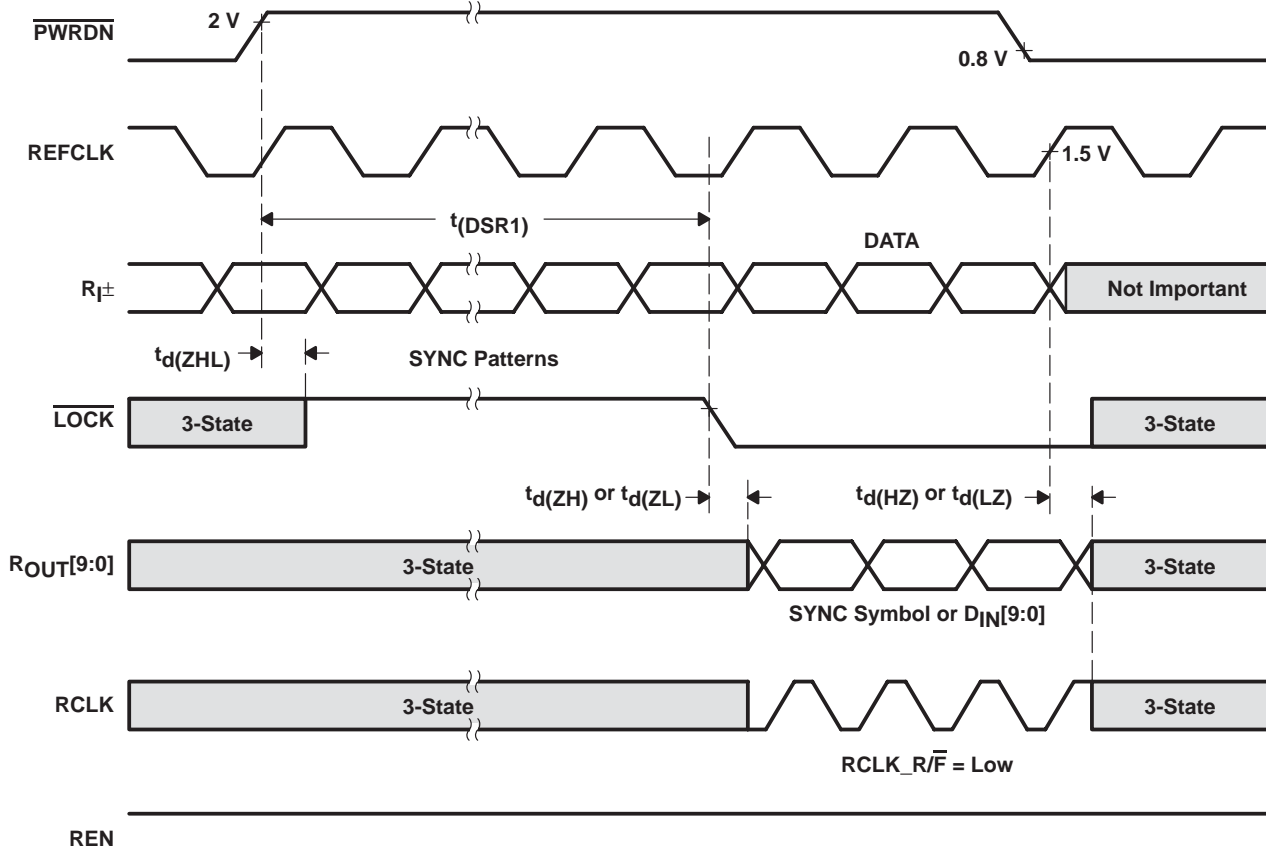


Figure 16. Deserializer PLL Lock Times and $\overline{\text{PWRDN}}$ 3-State Delays

timing diagrams and test circuits (continued)

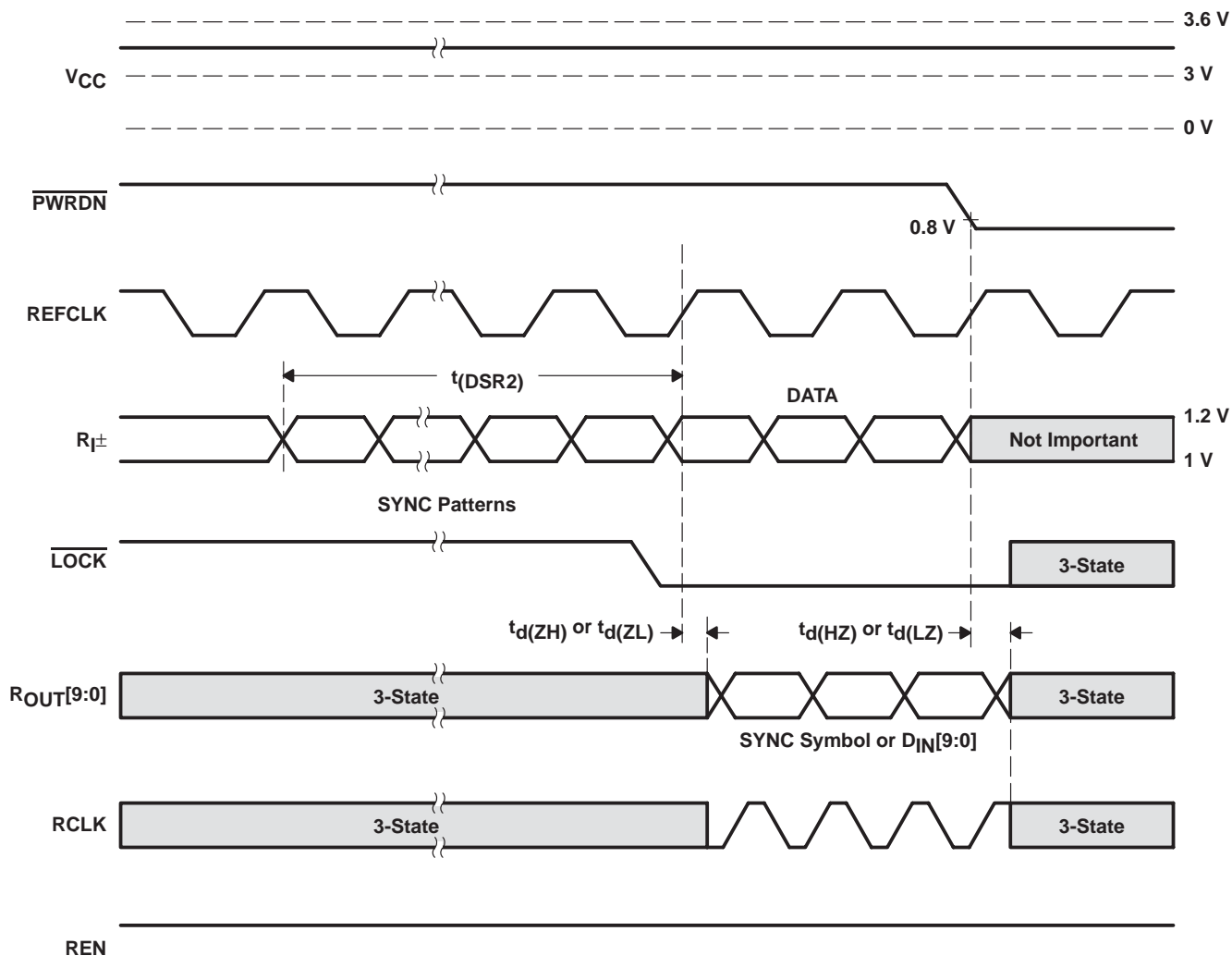
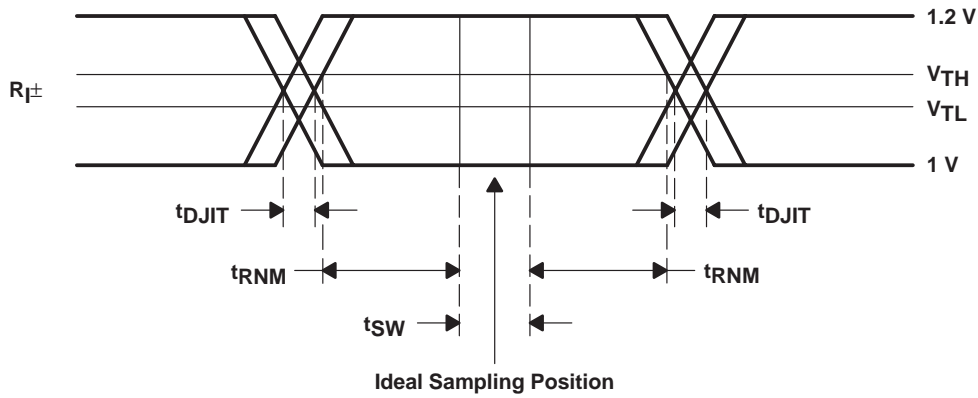


Figure 17. Deserializer PLL Lock Time From SyncPAT

SN65LV1023A/SN65LV1224A 10-MHz TO 66-MHz, 10:1 LVDS SERIALIZER/DESERIALIZER

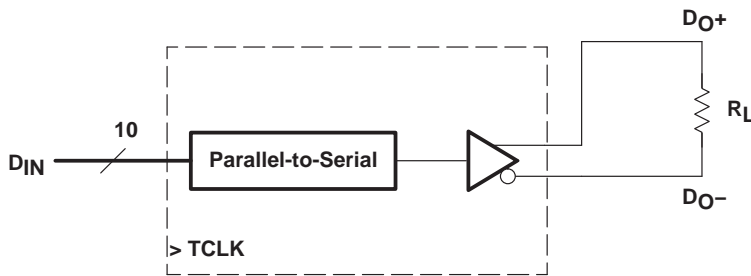
SLLS570C – JUNE 2003 – REVISED APRIL 2004

timing diagrams and test circuits (continued)



t_{SW} : Setup and Hold Time (Internal Data Sampling Window)
 t_{DJIT} : Serializer Output Bit Position Jitter That Results From Jitter on TCLK
 t_{RNM} : Receiver Noise Margin Time

Figure 18. Receiver LVDS Input Skew Margin



$V_{OD} = (DO+) - (DO-)$
 Differential Output Signal Is Shown as $(DO+) - (DO-)$

Figure 19. V_{OD} Diagram

APPLICATION INFORMATION

differential traces and termination

The performance of the SN65LV1023A/SN65LV1224A is affected by the characteristics of the transmission medium. Use controlled-impedance media and termination at the receiving end of the transmission line with the media's characteristic impedance.

Use balanced cables such as twisted pair or differential traces that are ran close together. A balanced cable picks up noise together and appears to the receiver as common mode. Differential receivers reject common-mode noise. Keep cables or traces matched in length to help reduce skew.

Running the differential traces close together helps cancel the external magnetic field, as well as maintain a constant impedance. Avoiding sharp turns and reducing the number of vias also helps.

topologies

There are several topologies that the serializers can operate. Three common examples are shown below.

Figure 20 shows an example of a single-terminated point-to-point connection. Here a single termination resistor is located at the deserializer end. The resistor value should match that of the characteristic impedance of the cable or PC board traces. The total load seen by the serializer is 100 Ω . Double termination can be used and typically reduces reflections compared with single termination. However, it also reduces the differential output voltage swing.

AC-coupling is only recommended if the parallel TX data stream is encoded to achieve a dc-balanced data stream. Otherwise the AC-caps can induce common mode voltage drift due to the dc-unbalanced data stream.

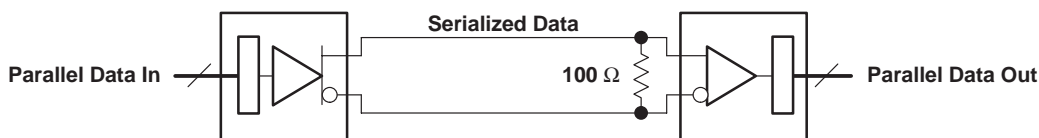


Figure 20. Single-Terminated Point-to-Point Connection

Figure 21 shows an example of a multidrop configuration. Here there is one transmitter broadcasting data to multiple receivers. A 50-k Ω resistor at the far end terminates the bus.

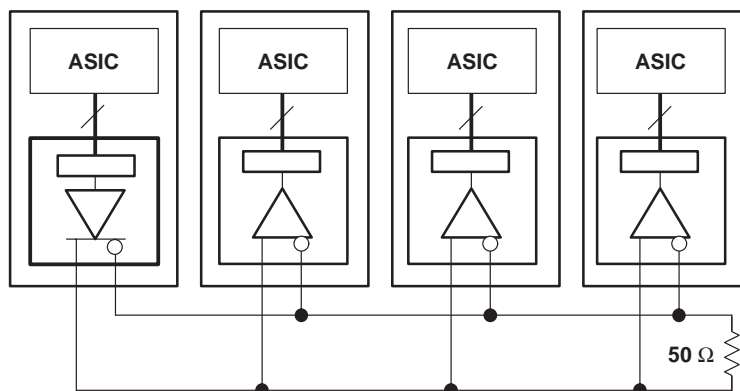


Figure 21. Multidrop Configuration

SN65LV1023A/SN65LV1224A 10-MHz TO 66-MHz, 10:1 LVDS SERIALIZER/DESERIALIZER

SLLS570C – JUNE 2003 – REVISED APRIL 2004

Figure 22 shows an example of multiple serializers and deserializers on the same differential bus, such as in a backplane. This is a multipoint configuration. In this situation, the characteristic impedance of the bus can be significantly less due to loading. Termination resistors that match the loaded characteristic impedance are required at each end of the bus. The total load seen by the serializer in this example is 27 Ω .

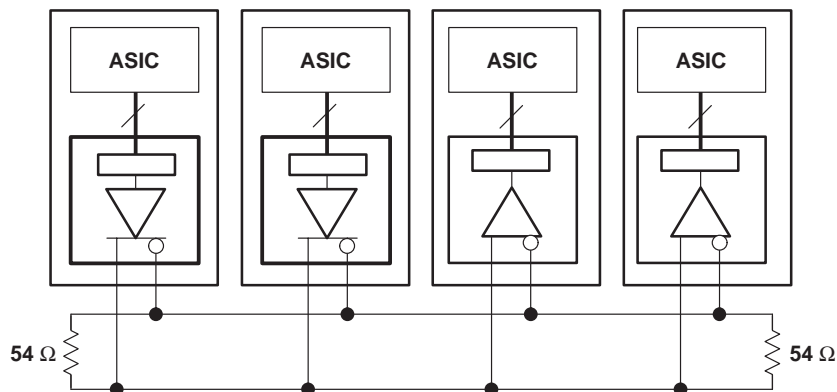


Figure 22. Multiple Serializers and Deserializers on the Same Differential Bus

DB (R-PDSO-G**)

PLASTIC SMALL-OUTLINE

28 PINS SHOWN



- NOTES: A. All linear dimensions are in millimeters.
 B. This drawing is subject to change without notice.
 C. Body dimensions do not include mold flash or protrusion not to exceed 0,15.
 D. Falls within JEDEC MO-150

IMPORTANT NOTICE

Texas Instruments Incorporated and its subsidiaries (TI) reserve the right to make corrections, modifications, enhancements, improvements, and other changes to its products and services at any time and to discontinue any product or service without notice. Customers should obtain the latest relevant information before placing orders and should verify that such information is current and complete. All products are sold subject to TI's terms and conditions of sale supplied at the time of order acknowledgment.

TI warrants performance of its hardware products to the specifications applicable at the time of sale in accordance with TI's standard warranty. Testing and other quality control techniques are used to the extent TI deems necessary to support this warranty. Except where mandated by government requirements, testing of all parameters of each product is not necessarily performed.

TI assumes no liability for applications assistance or customer product design. Customers are responsible for their products and applications using TI components. To minimize the risks associated with customer products and applications, customers should provide adequate design and operating safeguards.

TI does not warrant or represent that any license, either express or implied, is granted under any TI patent right, copyright, mask work right, or other TI intellectual property right relating to any combination, machine, or process in which TI products or services are used. Information published by TI regarding third-party products or services does not constitute a license from TI to use such products or services or a warranty or endorsement thereof. Use of such information may require a license from a third party under the patents or other intellectual property of the third party, or a license from TI under the patents or other intellectual property of TI.

Reproduction of information in TI data books or data sheets is permissible only if reproduction is without alteration and is accompanied by all associated warranties, conditions, limitations, and notices. Reproduction of this information with alteration is an unfair and deceptive business practice. TI is not responsible or liable for such altered documentation.

Resale of TI products or services with statements different from or beyond the parameters stated by TI for that product or service voids all express and any implied warranties for the associated TI product or service and is an unfair and deceptive business practice. TI is not responsible or liable for any such statements.

Following are URLs where you can obtain information on other Texas Instruments products and application solutions:

Products		Applications	
Amplifiers	amplifier.ti.com	Audio	www.ti.com/audio
Data Converters	dataconverter.ti.com	Automotive	www.ti.com/automotive
DSP	dsp.ti.com	Broadband	www.ti.com/broadband
Interface	interface.ti.com	Digital Control	www.ti.com/digitalcontrol
Logic	logic.ti.com	Military	www.ti.com/military
Power Mgmt	power.ti.com	Optical Networking	www.ti.com/opticalnetwork
Microcontrollers	microcontroller.ti.com	Security	www.ti.com/security
		Telephony	www.ti.com/telephony
		Video & Imaging	www.ti.com/video
		Wireless	www.ti.com/wireless

Mailing Address: Texas Instruments
Post Office Box 655303 Dallas, Texas 75265

Copyright © 2004, Texas Instruments Incorporated