



ROITHNER LASERTECHNIK GmbH

WIEDNER HAUPTSTRASSE 76
TEL. +43 1 586 52 43 -O. FAX. -44

1040 VIENNA
OFFICE@ROITHNER-LASER.COM

AUSTRIA



DIL5120

- **INFRARED** Light Emitting Diode
- **1200 nm, 3.5 mW**
- **AlGaAs**
- **5 mm epoxy package**



Description

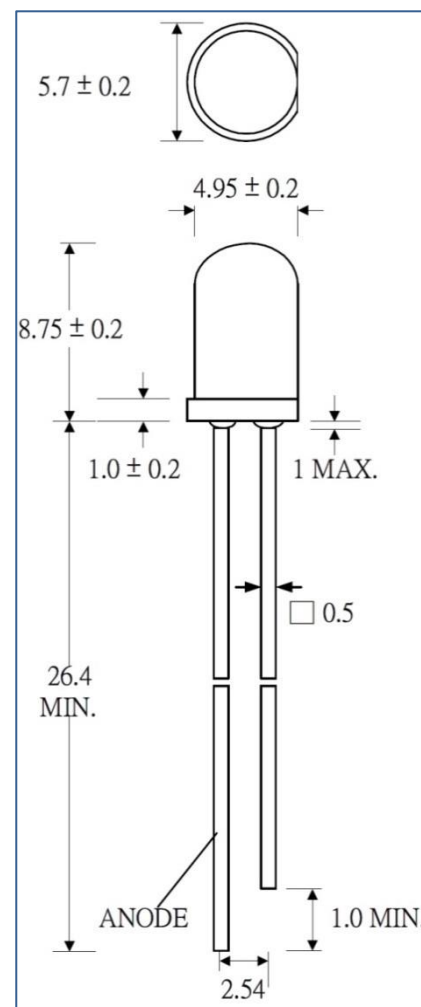
DIL5120 is an infrared LED, typically emitting at 1200 nm with an optical output power of 3.5 mW. It comes in a hermetically sealed clear 5 mm epoxy resin.

Maximum Rating ($T_{CASE} = 25^{\circ}C$)

Parameter	Symbol	Values		Unit
		Min.	Max.	
Power Dissipation, DC	P_D		50	mW
Forward Current	I_{FM}		40	mA
Operating Temperature	T_{OPR}	- 20	+ 80	$^{\circ}C$
Storage Temperature	T_{STG}	- 40	+ 85	$^{\circ}C$
Soldering Temperature (max 3s)	T_{SOL}		+ 260	$^{\circ}C$

Electro-Optical Characteristics ($T_{CASE} = 25^{\circ}C$, $I_F = 20$ mA)

Parameter	Symbol	Values			Unit
		Min.	Typ.	Max.	
Peak Wavelength	λ_P		1200		nm
Spectral Width (FWHM)	$\Delta\lambda$		80		nm
Forward Voltage @ 20 mA	V_F		1.0	1.2	V
Reverse Voltage ($I_R = 10 \mu A$)	V_R			5	V
Radiant Power @ 20 mA	Θ_e		3.5		mW
Viewing Half Angle	$\Theta_{1/2}$		15		deg.



All dimensions in mm