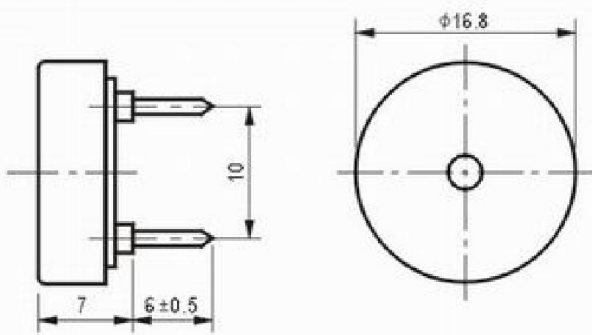




## FBPT1707

### Product details



unit:mm

Model No	FBPT1707
Rated Voltage	12Vp-p Square Wave
Max.Allowable Voltage	30Vp-p Square Wave
Max.Rated Current	2mA at 4.0Khz/12Vp-p Square Wave
Min.Sound Pressure Level	85dB at 4.0Khz/12Vp-p Square Wave/10cm
Resonant Frequency	4.0±0.5KHz
Operating Temperature	-20~+80°C
Storage Temperature	-30~+90°C
Weight	1.2g