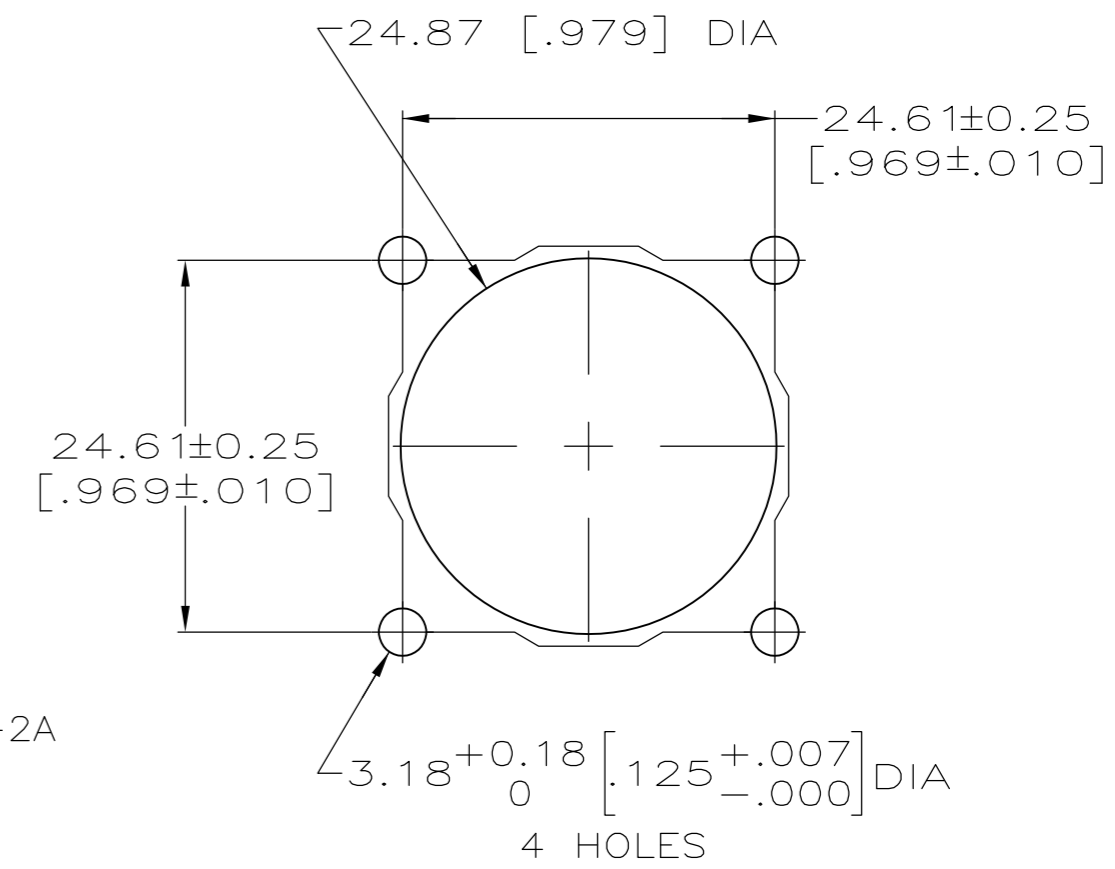
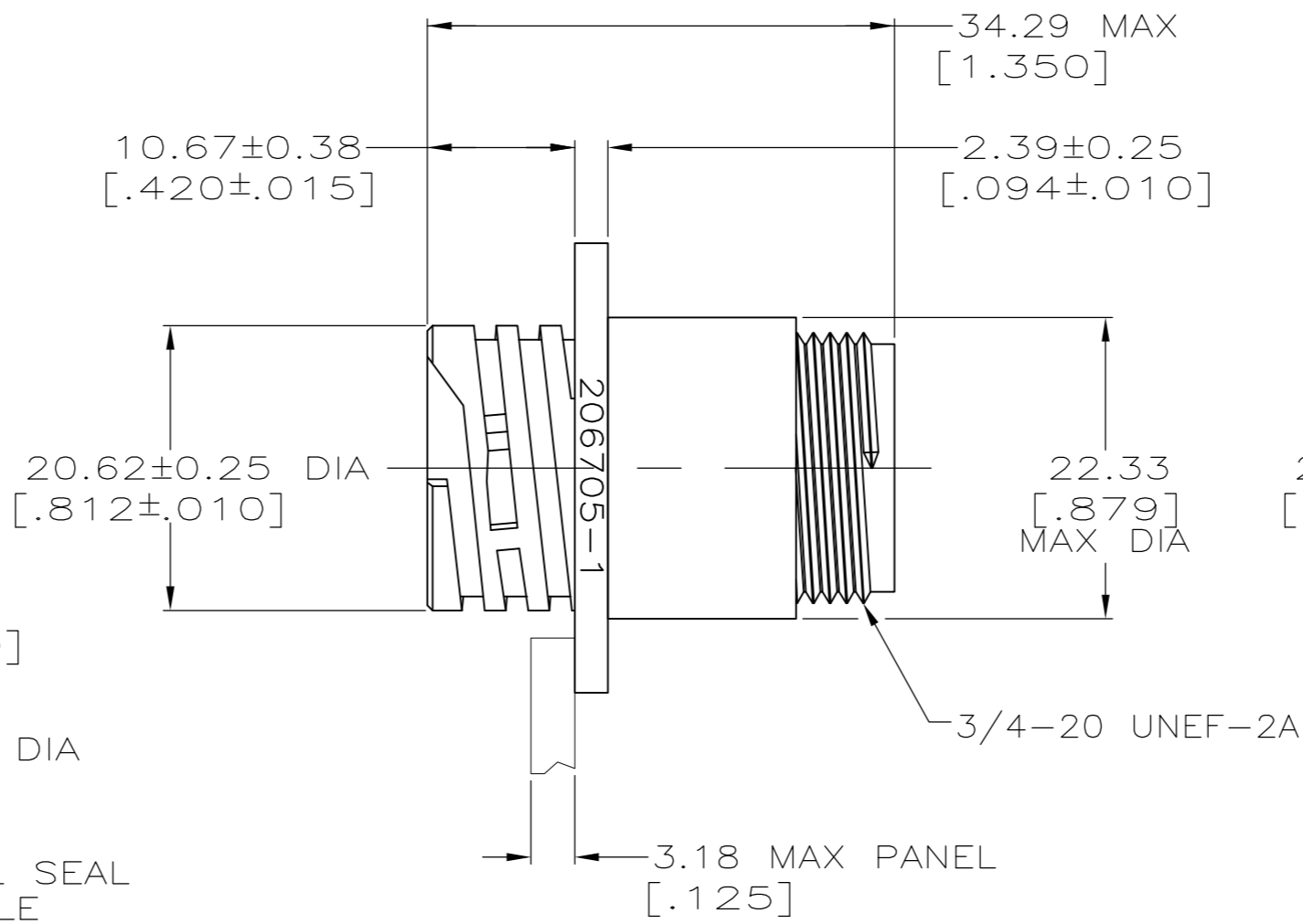
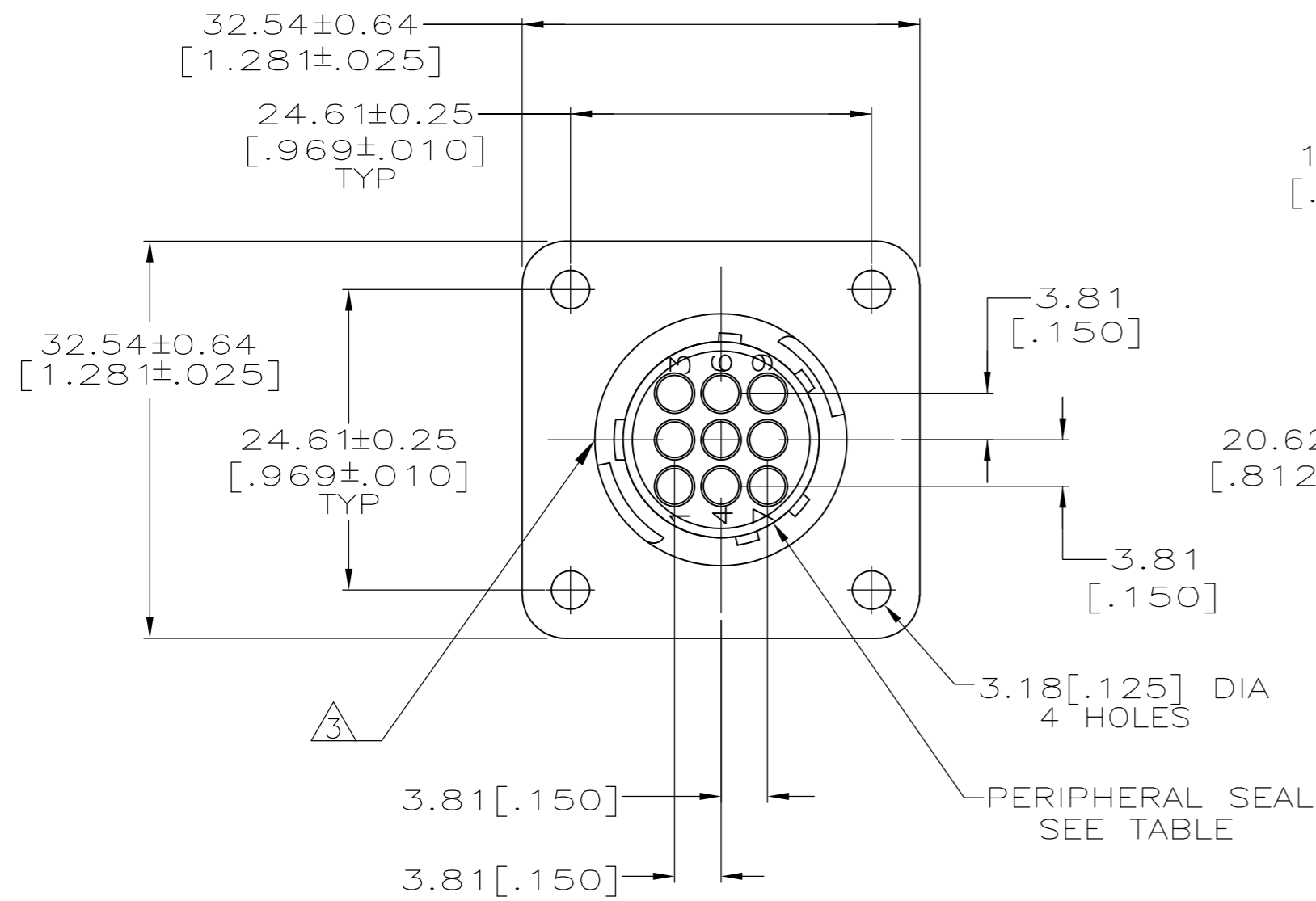


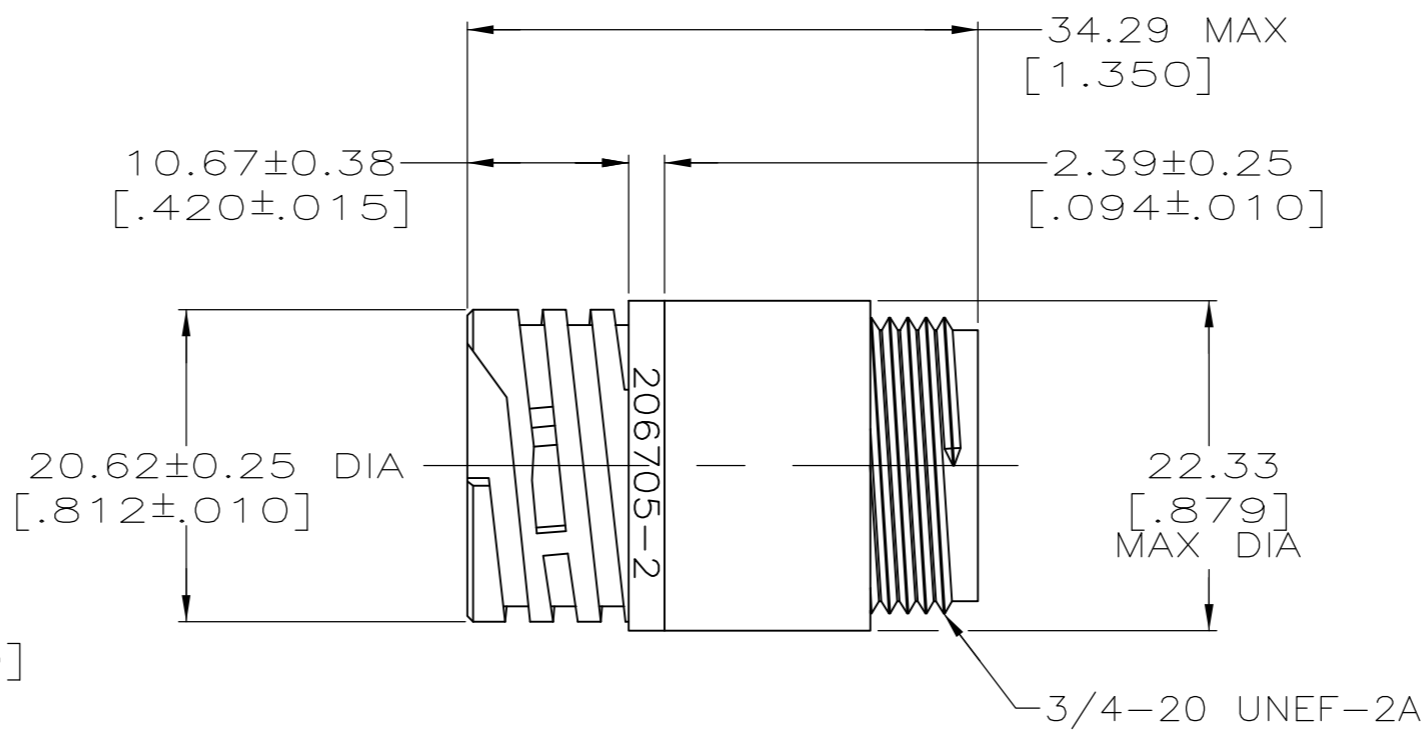
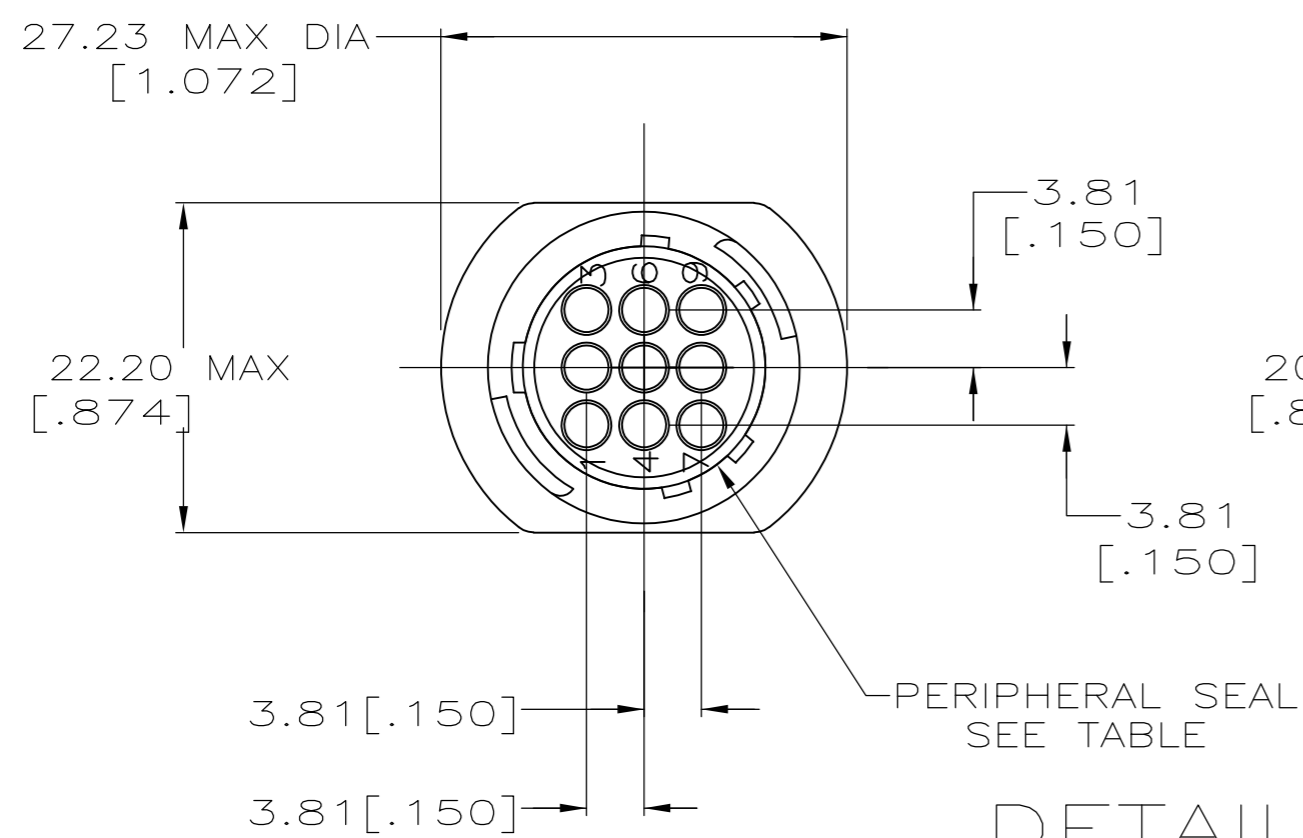
THIS DRAWING IS UNPUBLISHED. RELEASED FOR PUBLICATION  
 © COPYRIGHT - By - ALL RIGHTS RESERVED.

REVISIONS				
P	LTR	DESCRIPTION	DATE	APVD
M		REVISED PER ECO-12-015521	28SEP12	KH MZ
N		REVISED PER ECO-17-000037	10MAR2017	RS MZ



DETAIL A

RECOMMENDED PANEL CUTOUT



DETAIL B

4	3	NO	A	206705-5
-	-	YES	B	206705-4
-	-	YES	A	206705-3
-	-	NO	B	206705-2
-	-	NO	A	206705-1
NOTES	PERIPHERAL SEAL	SEE DETAIL	PART NUMBER	

- 1 CAVITY IDENTIFICATION ON FRONT AND REAR FACE.
- 2 RECEPTACLE WILL ACCEPT NINE (9) MULTIMATE PIN CONTACTS.
- 3 WHITE DOT OVER MAJOR KEY, APPROX WHERE SHOWN.
- 4 OBSOLETE PART NUMBER.

THIS DRAWING IS A CONTROLLED DOCUMENT.

DWN	D.HARDY	05/19/94
CHK	R.STONE	05/20/94
APVD	-	-
PRODUCT SPEC	108-10024	
APPLICATION SPEC	-	
MATERIAL	NYLON, BLACK	FINISH
WEIGHT	-	SCALE
CUSTOMER DRAWING		SCALE 2:1

TE Connectivity

RECEPTACLE HOUSING, STANDARD  
SEX, SHELL SIZE 13, CPC

SIZE	A2	CAGE CODE	00779	DRAWING NO	C=206705	RESTRICTED TO	-
SHEET	1	OF 1	REV	N			

# Mouser Electronics

Authorized Distributor

Click to View Pricing, Inventory, Delivery & Lifecycle Information:

[TE Connectivity:](#)

[206705-1](#)