

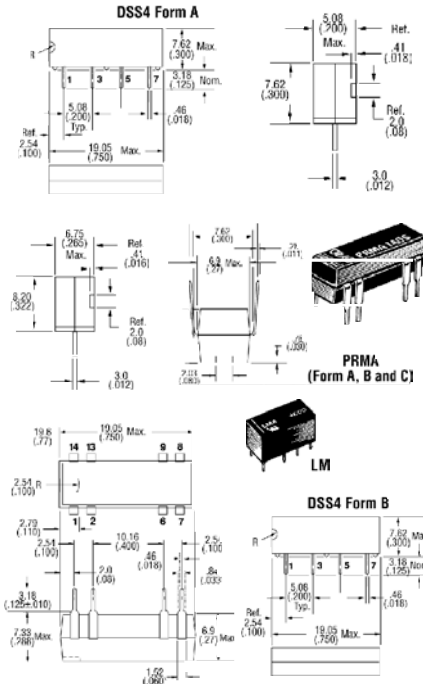
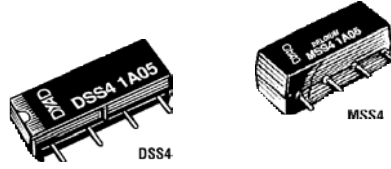
Dry Reed and Electromechanical Relays

Dry Reed Relays

- ▶ Miniature, Cost-Effective Switching Solution
- ▶ State-of-the-Art Capsule
- ▶ Diode and Electrostatic Shield Options Available
- ▶ Standard Nominal Coil Voltages Include 5, 12, and 24 Volts

Series LM, Electromechanical Relays

- ▶ Standard Nominal Coil Voltages 5, 12, 24, VDC
- ▶ UL and CSA Approval on Some Models
- ▶ Sealed Construction for Automatic Board Cleaning Processes



Engineering Specifications	DSS4 PRMA	PRMA (Form C)	MSS4	LM44
Contact Form	1A, 1B	1C	1A	2C
Contact Rating Maximum switching power Maximum switching voltage Maximum switching current Maximum carry current	10 VA 200 VDC or Peak AC 0.50 A 2.00 A	3 VA 100 VDC or Peak AC 0.25 A 0.40 A	30 VA 500 VDC/Peak AC 2.00 A 4.00 A	30 VA 125 VDC or AC 2.00 A 2.00 A
Contact Resistance, Initial	150 milliohms max.	200 milliohms max.	100 milliohms max.	100 milliohms max.
Contact Material	Ruthenium	Rhodium	Mercury (all positions)	Ag with Au cap
Life Expectancy Signal level loads (ref 10 VDC, 10 mA)	200 × 10 ⁶	20 × 10 ⁶	200 × 10 ⁶	10 × 10 ⁶
Timing (at nominal VDC, 10 Hz drive, 50% duty cycle with diode suppression) Operate time, maximum (including Bounce) Release time, maximum	0.50 ms 0.50 ms	2.00 ms 3.00 ms	1.75 ms 1.50 ms	6.00 ms 4.00 ms
Breakdown Voltage Coil to contact Across Contacts	1000 Vrms 1400 VDC 175 Vrms 250 VDC	1000 Vrms 1400 VDC 100 Vrms 150 VDC	1000 Vrms 1400 VDC 1400 Vrms 5000 VDC	1000 Vrms 1400 VDC 500 Vrms 70 VDC
Insulation Resistance (Ohms)	10 ⁹	10 ⁹	10 ⁹	10 ⁹

Stock No.	Mfr.'s Type	Schematic Contact Form (Bottom View)	Nominal Voltage (VDC)	Coil Resistance (Ohms ±10%)	Nominal Input Power (mW)	Must Operate Voltage (VDC)	Must Release Voltage (VDC)	Maximum Voltage (VDC)	EACH		
									1-24	25-49	50-99
681-0005	DSS41A05	1 Form A	5	500	50	3.75	0.8	15.0	2.76	2.14	1.78
681-0010	DSS41A12	1 Form A	12	1000	144	8.60	1.5	30.0	3.62	2.81	2.33
681-0015	DSS41A24		24	2000	288	17.50	2.5	40.0	4.08	3.16	2.63
681-0016	DSS41A05B*	5	5	500	50	3.75	0.8	15.0	3.87	3.08	2.56
681-0020	DSS41B05	1 Form B	5	500	50	3.75	0.8	6.0	17.88	13.86	11.51
681-0025	DSS41B12	1 Form B	12	1000	144	9.00	1.0	14.5	17.90	13.88	11.53
681-0030	DSS41B24		24	2150	268	18.00	2.0	29.0	18.17	14.09	11.70
681-0050	PRMA1A05	1 Form A	5	500	50	3.75	0.8	21.0	3.78	2.93	2.44
681-0055	PRMA1A12	1 Form A	12	1000	144	9.00	1.0	30.0	4.51	3.49	2.90
681-0060	PRMA1A24		24	2150	268	18.00	2.0	44.0	4.24	3.29	2.73
681-0061	PRMA1A05B*	5	5	500	50	3.75	0.8	21.0	4.35	3.37	2.80
681-0065	PRMA1B05	1 Form B	5	500	50	3.75	0.8	6.0	6.07	4.70	3.91
681-0070	PRMA1B12	1 Form B	12	1000	144	9.00	1.0	14.5	6.39	4.95	4.11
681-0075	PRMA1B24		24	2150	268	18.00	2.0	29.0	6.71	5.20	4.32
681-0080	PRMA1C05	1 Form C	5	200	125	3.75	0.8	12.0	9.64	7.47	6.21
681-0085	PRMA1C12	1 Form C	12	500	288	9.00	1.0	18.0	9.64	7.47	6.21
681-0090	PRMA1C24		24	2150	268	18.00	2.0	32.0	10.12	7.85	6.52
681-0095	PRMA2A05	2 Form A	5	140	170	3.75	0.8	11.0	6.76	5.25	4.36
681-0100	PRMA2A12	2 Form A	12	500	288	9.00	1.0	21.0	7.09	5.50	4.56
681-0105	PRMA2A24		24	2150	268	18.00	2.0	44.0	7.44	5.77	4.79
681-0110	PRMA10037	1 Form A	5	380	66	3.75	0.8	15.0	5.61	4.35	3.61
681-0115	PRMA10038	1 Form A	12	530	271	9.00	1.0	19.0	5.93	4.60	3.82
681-1100	MSS41A05	1 Form A	5	140	179	3.75	0.5	10.0	14.79	11.47	9.53
681-1101	MSS41A12	1 Form A	12	500	288	9.00	1.0	16.0	14.79	11.47	9.53
681-0116	LM44B00	2 Form C	5	167	150	3.60	0.6	7.0	5.13	3.98	3.30
681-0117	LM44D00	2 Form C	12	960	150	8.50	1.2	16.8	5.13	3.98	3.30
681-0118	LM44E00		24	2880	150	16.80	2.4	33.5	5.45	4.23	3.51

*With Diode.