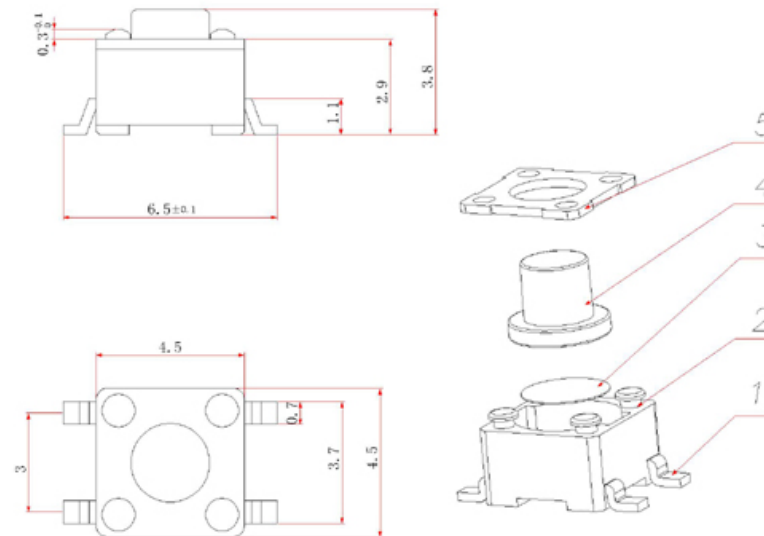




TS-06204

Details



Basic parameters

1. Rated range Rating: 50mA 12VDC
2. Contact Resistance: 50mΩ max(initial)
3. Insulation Resistance: 100MΩ (minDC 250V)
4. Dielectric Strength: AC250V(50/60Hz for 1minute)

5. Mechanical life Electrical Life: 50,000cycles
6. Environment temperature: -25°C ~ +105°C
7. Operating Force: 180/250(±30gf)