

TOSHIBA

TOSHIBA Thermal Printer

B-SA4T SERIES

Parts List

Document No. **EO8-33016T**

Original **Jul., 2005**
(Revised **Aug., 2019**)

Minimum Order Quantity (MOQ) column has been added to this Parts List.
Please order the MOQ or the multiples of the MOQ per order .
Regarding the parts with two asterisks (**) entered in this column, over 4-month lead time may be required because a quotation of the unit price and the MOQ is requested at the receipt of order.

Toshiba Tec Corporation

PRINTED IN JAPAN

TABLE OF CONTENTS

HOW TO USE THIS PARTS LIST

MECHANICAL PARTS

1.	CLOVER BLOCK	1-1
2.	MEDIA HOLDER ASS'Y	2-1
3.	MEDIA FEED BLOCK	3-1
4.	PCB BLOCK	4-1
5.	RIBBON MOTOR BLOCK	5-1
6.	OPERATION PANEL	6-1
7.	COVER FRAME BLOCK	7-1
8.	BASE BOTTOM BLOCK	8-1
9.	MISCELLANEOUS PARTS	9-1

OPTIONAL PARTS

30.	CUTTER MODULE (B-SA204-QM-R/B-SA204P-QM-R)	30-1
31.	STRIP MODULE (B-SA904-H-QM-R/B-SA904P-H-QM-R)	31-1
32.	OTHER OPTIONAL KITS	32-1

CAUTION!

- 1. This manual may not be copied in whole or in part without prior written permission of Toshiba Tec Corporation.*
- 2. The contents of this manual may be changed without notification.*
- 3. Please refer to your local Authorised Service representative with regard to any queries you may have in this manual.*

HOW TO USE THIS PARTS LIST

- 1) Indication of Ref. No.

1 - 1

└ Consecutive Number
└ Section Number

Section No.	Section Name
1 to 29	MECHANICAL PARTS
30 to 49	OPTIONAL PARTS
50 to 69	ELECTRONIC PARTS

- 2) Remarks column indicates the following information:

- (1) Interchangeability of parts
- (2) Accessory
- (3) Service part
- (4) Date when the parts are added/deleted/changed

- 3) The columns from A through K indicate the quantity/unit for each model.
The letters A to K represent the model names which are described in the foot note.

- 4) The recommended parts column indicates the recommendation of parts stock.

Q'ty/100 Units

~~Class A~~----- 10

~~Class B~~----- 7

~~Class C~~----- 5

~~Class D~~----- 3

~~Class E~~----- 1

- 5) Miscellaneous parts (screws, washers, etc.) shall be ordered in minimum lots of 100.
- 6) As a rule, parts not listed in this parts list cannot be ordered and we will not be responsible for problems concerning these parts.
- 7) The name of the electronic parts are abbreviated as below:

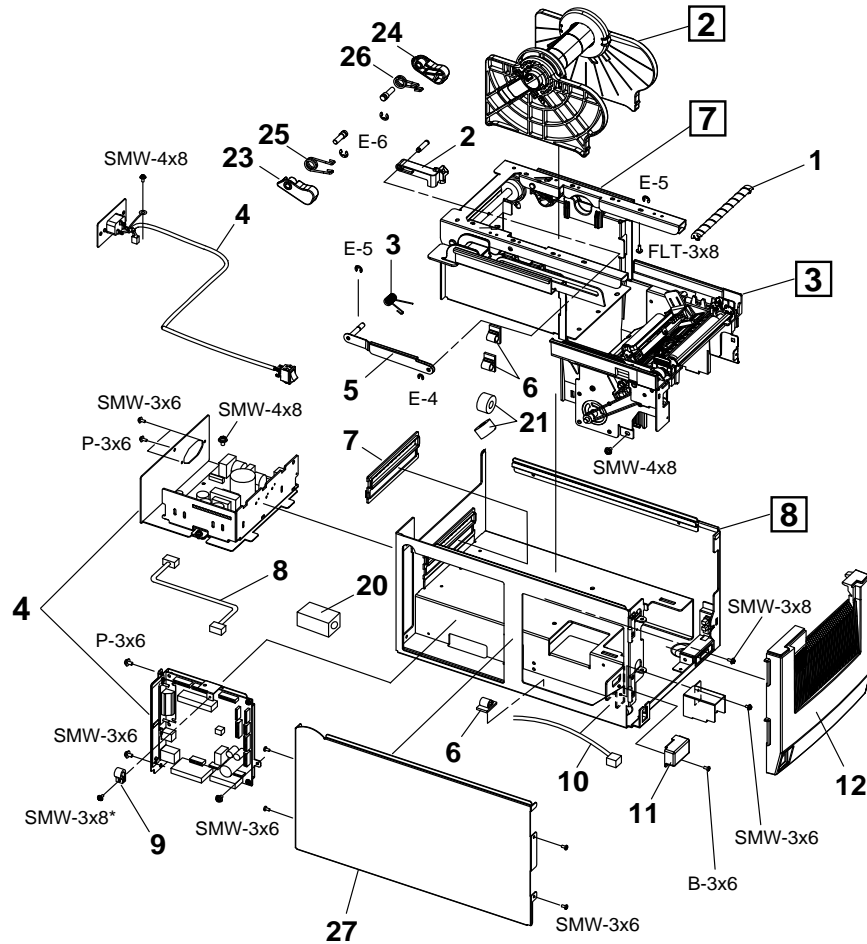
- 8) Please locally purchase the electronic parts without part numbers after referring to the descriptions.
- 9) The illustrations are provided by PDF files and attached to the list of each section. To refer to the illustrations, double-click on the PDF file icons.

NOTES:

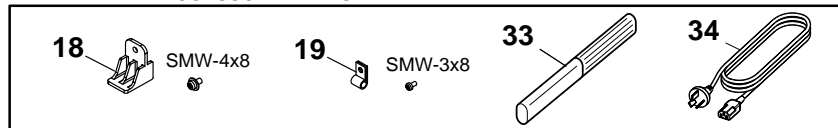
1. *The parts shown in this list may be modified by Toshiba Tec together with issuing the parts information, if necessary.*
2. *The illustrations in this parts list are provided for reference and may be different from the actual parts in shape.*
3. *Parts with no Ref. No. and quantity are interchangeable parts.*
4. *For the underlined assembly parts, the components are available separately.*
5. *Excepting the electronic parts, "-----" in the Part No. cell in place of a part number means that the part is an optional equipment and should be ordered from the Sales Department.*

1 COVER BLOCK (B-SA4TM)

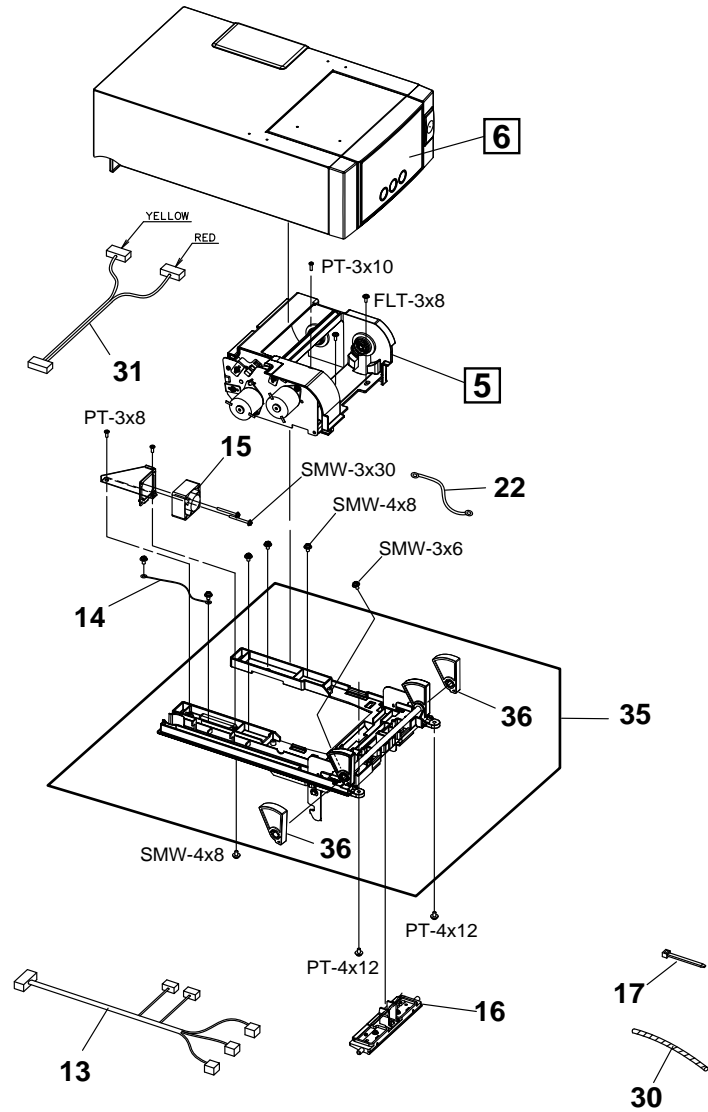
(LOWER BLOCK)



ACCESSORY PARTS

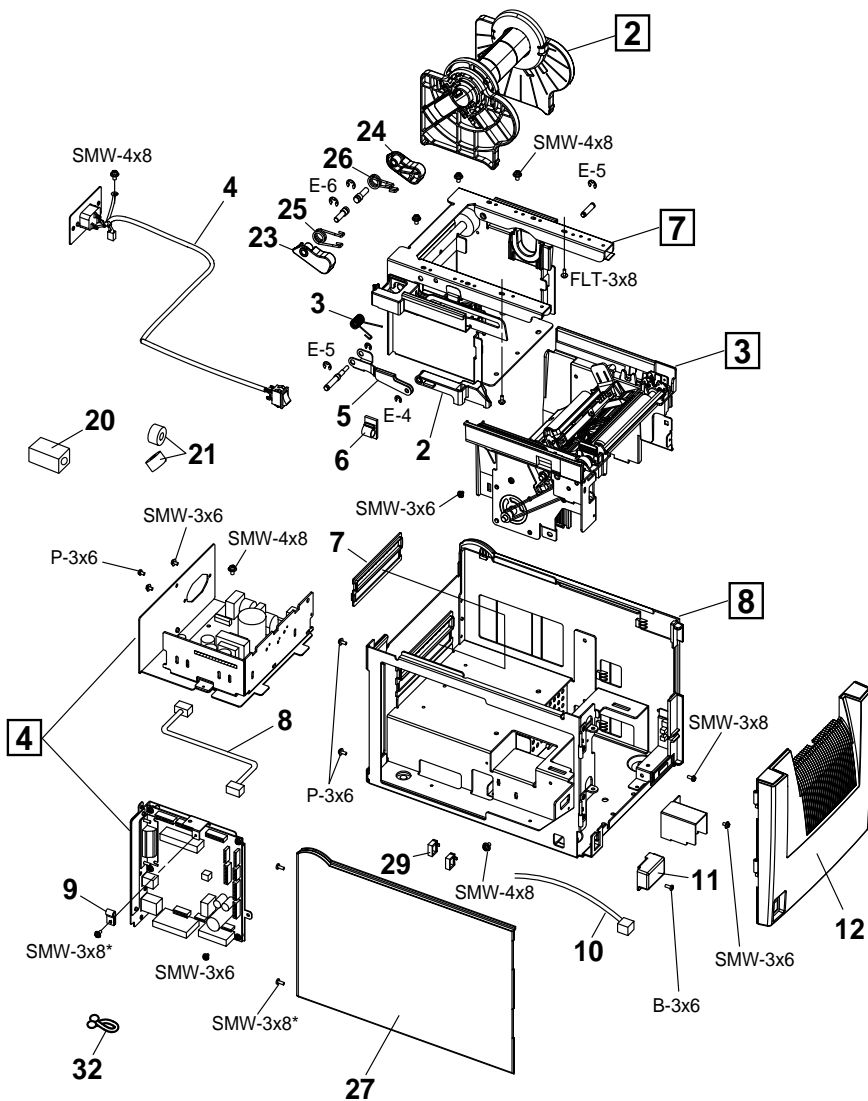


(UPPER BLOCK)

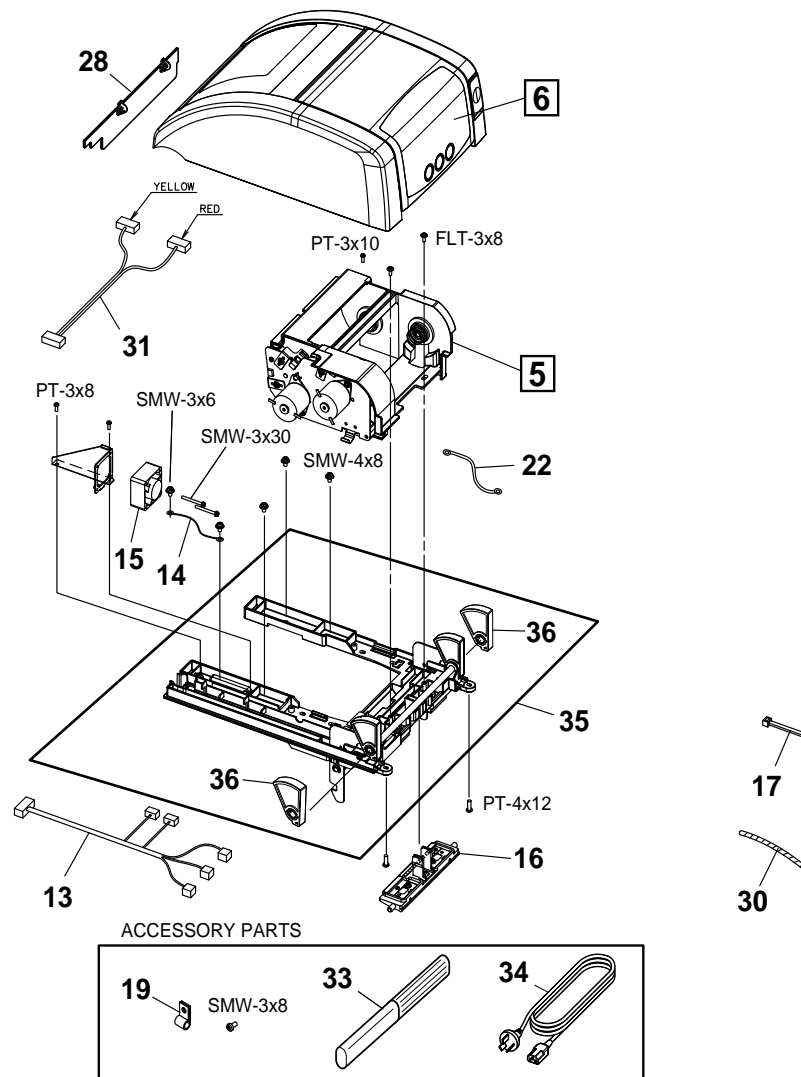


1 COVER BLOCK (B-SA4TP)

(LOWER BLOCK)



(UPPER BLOCK)





1.Cover Block

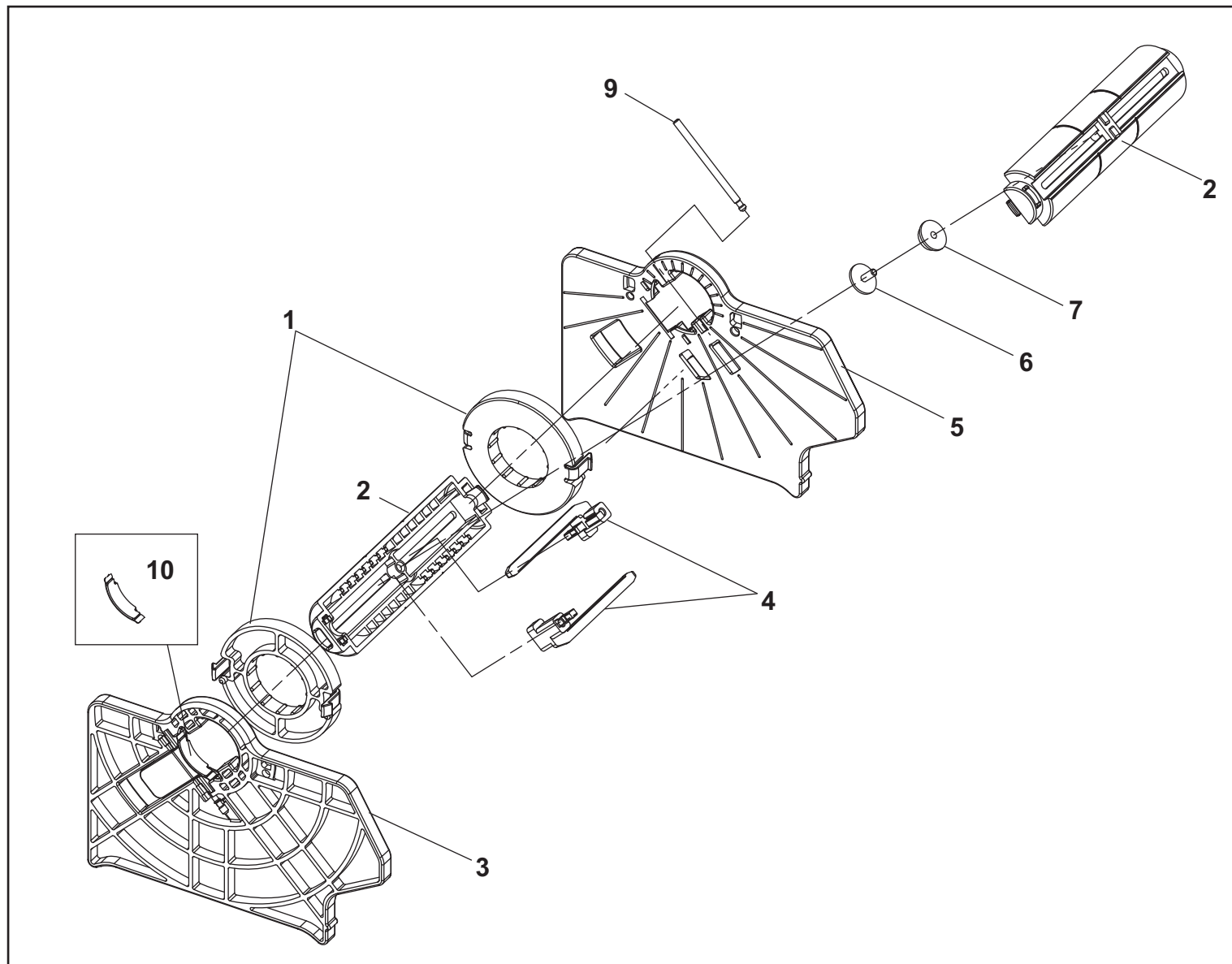
EO8-33016
B-SA4T SERIES SEP., 2005
(Revision Date: Feb., 2019)

Ref. No.	Part No.	Description	Remarks	MOQ	A	B	C	D	E	F	G	Recommended Parts
1-1	7FM01058000	Media Path Guide		5	1	1	0	0	1	0	0	
1-2	7FM01059000	Top Cover Stopper		1	1	1	0	0	1	0	0	
	7FM01265000	Top Cover Stopper		15	0	0	1	1	0	1	1	
1-3	7FM00940000	Top Cover Stopper Spring		20	1	1	1	1	1	1	1	
1-4	7FM00995000	Inlet Ass'y		1	1	1	1	1	1	1	1	E
	7FM07456000	ASYB-INLET-SA4	Changed: 2/'19									
1-5	7FM00869000	Top Cover Stopper Shaft		8	1	1	0	0	1	0	0	
	7FM01144000	Top Cover Stopper Shaft		15	0	0	1	1	0	1	1	
1-6	F0-00599000	Cable Clamp DKN-10G		1	3	3	2	2	3	2	2	
	F0-00502000	Cable Clamp CKN-10	Changed: 3/'07									
1-7	7FM01023000	Blind Plate/Fanfold Inlet		1	1	1	1	1	1	1	1	
1-8	7FM00785000	Power Harness		10	1	1	1	1	1	1	1	E
1-9	F0-00119000	Cable Clamp EMT-4N		1	1	1	1	1	1	1	1	
1-10	7FM00794100	Optional Kit Harness		10	1	1	1	1	1	1	1	E
1-11	7FM01158000	Connector Cover		1	1	1	1	1	1	1	1	
1-12	7FM00928000	Front Cover		**	1	1	0	0	1	0	0	E
	7FM01211200	Front Cover (Including hinges)	Changed: 4/'06									
	7FM01226000	Front Cover		5	0	0	1	1	0	1	1	E
	7FM01226300	Front Cover (Including hinges)	Changed: 4/'06									
1-13	7FM00789000	Ribbon Motor Harness		20	1	1	1	1	1	1	1	E
1-14	7FM01093000	Ground Wire		40	1	1	1	1	1	1	1	
1-15	7FM01127000	Fan Motor		5	1	1	1	1	1	1	1	D
1-16	7FM00973000	Print Head Ass'y (203 dpi) KPC-108-8TA03-TE		1	1	0	1	0	0	0	1	A
	7FM00973100	Print Head Ass'y (300 dpi) KPG-106-12TA04-TE		1	0	1	0	1	1	1	0	A
1-17	F0-01277000	Cable Band CV-100		1	1	1	4	4	1	4	4	
			Increased: 1/'06				4	4		4	4	
1-18	7FM01266000	Printer Rear Support		50	1	1	0	0	1	0	0	
1-19	F0-00679000	Cable Clamp NK-3N		1	1	1	1	1	1	1	1	
1-20	D0-04587000	Ferrite Core SFC-8		1	1	1	1	1	1	1	1	
1-21	D0-16547000	Ferrite Core TFT-102010N		1	2	2	2	2	2	2	2	
1-22	7FM01328000	Ground Wire		**	1	1	1	1	1	1	1	
1-23	7FM01202000	Cover Open Lever (L)		50	1	1	1	1	1	1	1	
1-24	7FM01203000	Cover Open Lever (R)		6	1	1	1	1	1	1	1	
1-25	7FM01163000	Cover Open Lever Spring (L)		100	1	1	1	1	1	1	1	

A: B-SA4TM-GS12-QM-R B: B-SA4TM-TS12-QM-R C: B-SA4TP-GS12-QM-R D: B-SA4TP-TS12-QM-R E: B-SA4TM-TS12-CN F: B-SA4TP-TS12-CN G: B-SA4TP-GS12-CN-R

2

MEDIA HOLDER ASS'Y





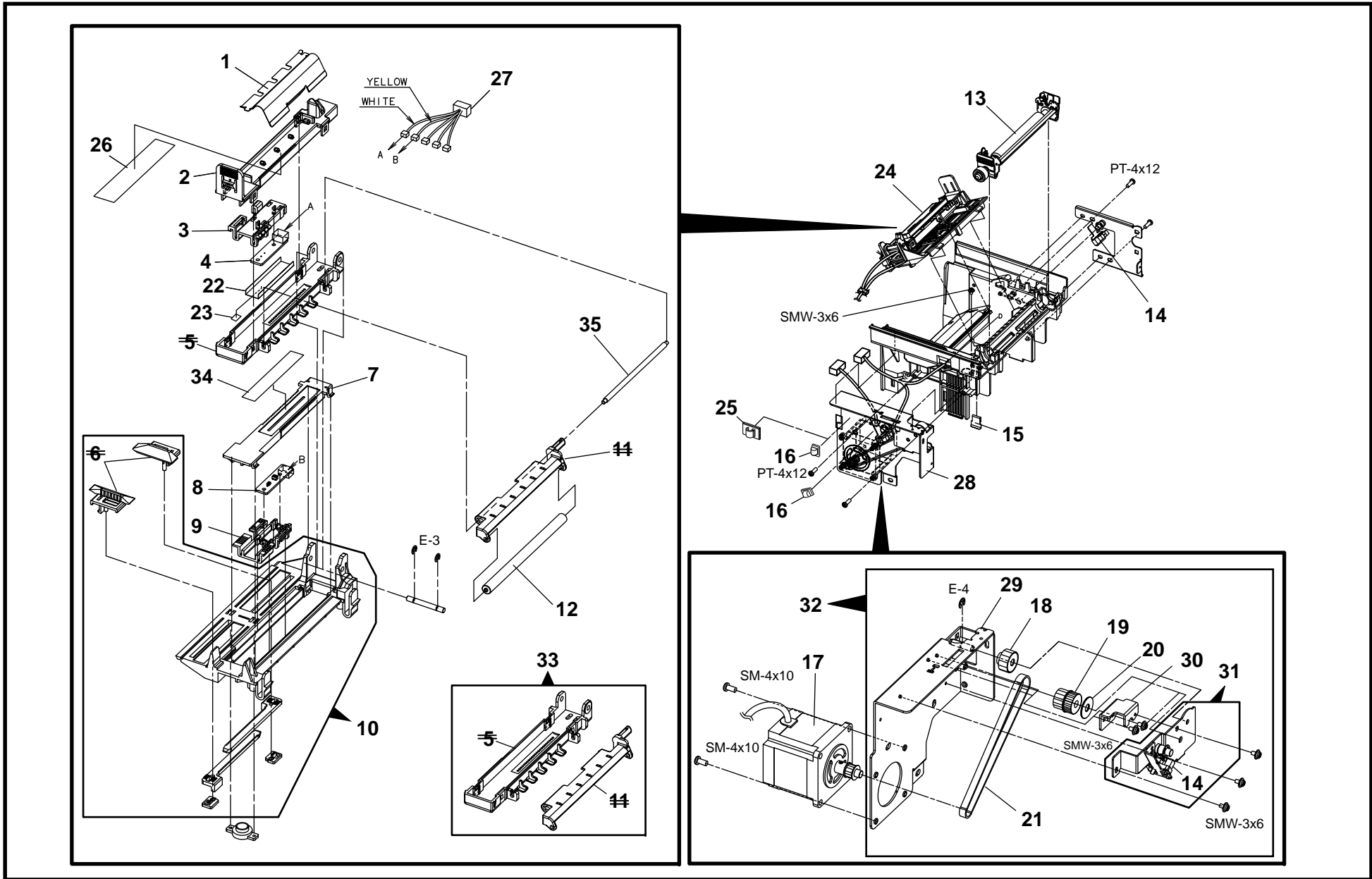
2. Media Holder Ass'y

EO8-33016
B-SA4T SERIES SEP., 2005
(Revision Date: Jun. , 2012)

Ref. No.	Part No.	Description	Remarks	MOQ	A	B	C	D	E	F	G	Recommended Parts
2-1	7FM00924000	Media Holder Spacer		1	2	2	2	2	2	2	2	
2-2	7FM00937000	Media Shaft		1	2	2	2	2	2	2	2	
2-3	7FM00975000	Media Holder (Left)		1	1	1	0	0	1	0	0	
	7FM01236000	Media Holder (Left)		1	0	0	1	1	0	1	1	
2-4	7FM00927000	Rack Gear		1	2	2	2	2	2	2	2	D
2-5	7FM00947000	Media Holder (Right)		1	1	1	0	0	1	0	0	
	7FM01177000	Media Holder (Right)		1	0	0	1	1	0	1	1	
2-6	7FM00923000	Guide Rack Shaft	Interchangeable	1	1	1	1	1	1	1	1	
	7FM00923100	Guide Rack Shaft	Added: 12/08									
2-7	FMHB0031501	Supply Gear		1	1	1	1	1	1	1	1	D
	FMHB0031502		Changed:5/07									
2-8	7FM00977000	Media Holder Ass'y	Added: 4/06	1	1	1	0	0	1	0	0	
	7FM01237000	Media Holder Ass'y	Added: 4/06	1	0	0	1	1	0	1	1	
2-9	7FM00957000	Media Holder Pin	Added: 2/07, Interchangeable	1	1	1	1	1	1	1	1	
	7FM00957100	Media Holder Pin	Added: 12/08	1	1	1	1	1	1	1	1	
2-10	7FM01426000	ASYS-SHEET-CORE	Added: 3/13	1	1	1	1	1	1	1	1	

NOTE:
The illustrations of Ref. Nos. 2-3 and 2-5 are of the B-SA4TM. These parts are slightly different from those of the B-SA4TP in size and shape.

3 MEDIA FEED BLOCK



3. Media Feed Block

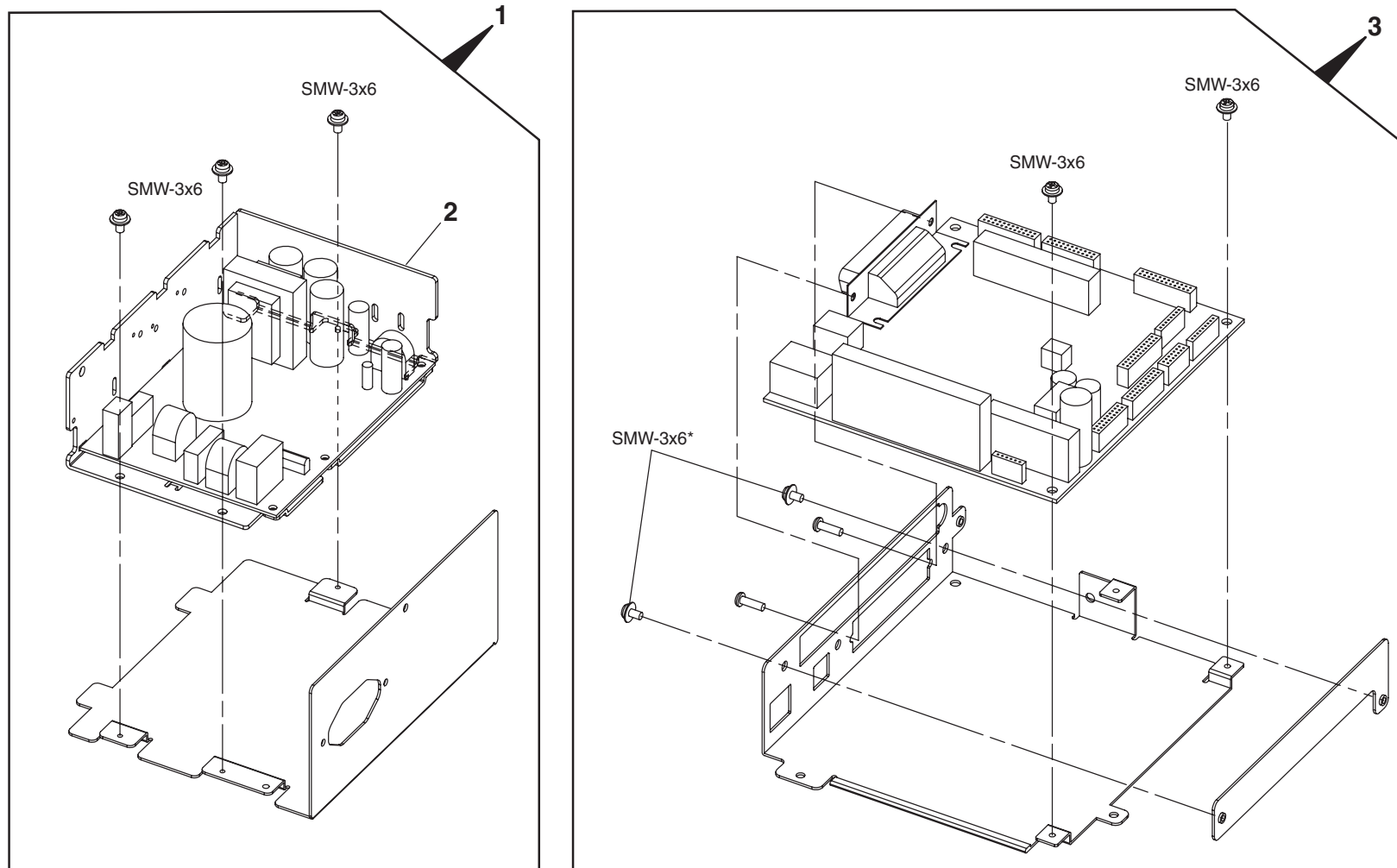
EO8-33016
B-SA4T SERIES SEP., 2005
(Revision Date: May, 2019)

Ref. No.	Part No.	Description	Remarks	MOQ	A	B	C	D	E	F	G	Recommended Parts
3-1	7FM01047000	Front Damper Spring		1	1	1	1	1	1	1	1	
3-2	7FM00951000	Upper Sensor Cover (Top)		1	1	1	1	1	1	1	1	
	7FM00951100		Changed 4/06									
	7FM00951200		Changed 5/09									
3-3	7FM00949000	Upper Sensor PCB Casing		25	1	1	1	1	1	1	1	
	7FM00949100	CASE-SENS-TOP	Changed: 7/18									
3-4	7FM00717000	Upper Sensor PC Board		1	1	1	1	1	1	1	1	B
3-5	7FM00953000	Upper Sensor Cover (Bottom)	Corrected: 10/08	**	4	4	4	4	4	4	4	
	7FM00953100											
3-6	7FM00855000	Media Guide	Deleted: 10/08	**	2	2	2	2	2	2	2	
3-7	7FM00990000	Lower Sensor Cover (Top)		15	1	1	1	1	1	1	1	
	7FM00952000		Corrected: 2/09									
3-8	7FM00718000	Lower Sensor PC Board		1	1	1	1	1	1	1	1	B
	7FM07331000	PWA-SA LSENS AK FRU	Changed: 4/18									
3-9	7FM00950000	Lower Sensor PCB Casing		50	1	1	1	1	1	1	1	
3-10	7FM01295000	Sensor Guide Base Block	Changed: 10/08	**	1	1	1	1	1	1	1	
	7FM01295100											
	7FM01295200		Changed: 5/09									
3-11	7FM00964000	Damper Holder		**	4	4	4	4	4	4	4	
	7FM00964100		Changed 4/06									
	7FM00964200		Corrected: 10/08									
3-12	7FM00966000	Damper Roller	Interchangeable	**	1	1	1	1	1	1	1	
	7FM00966100	Damper Roller	Deleted. 5/19 Added: 12/08	1								
3-13	7FM00982000	Platen Ass'y		1	1	1	1	1	1	1	1	B
3-14	C0-11118000	Slit Sensor TLP1242 (C6F)		1	7	7	7	7	7	7	7	B
	C0-12020000	Slit Sensor GP1S74PJ000F	Added: 5/08	1								
	C0-16141000	Slit Sensor GP1S173LCS2F	Changed: 7/14									
3-15	7FM00861000	Platen Ground Plate		20	1	1	1	1	1	1	1	
3-16	F0-00160000	Cable Clamp MSC-1			4	4	4	4	2	2	2	
			Increased: 12/05	1	2	2	2	2				
			Decreased: 3/07				1	1		1	1	
3-17	7FM00972000	Stepping Motor		1	1	1	1	1	1	1	1	E
3-18	7FM00846000	Platen Idler Gear		1	1	1	1	1	1	1	1	D
3-19	7FM00847000	Platen Pulley		1	1	1	1	1	1	1	1	D
3-20	7FM00848000	Platen Pulley Spacer		50	1	1	1	1	1	1	1	

A: B-SA4TM-GS12-QM-R B: B-SA4TM-TS12-QM-R C: B-SA4TP-GS12-QM-R D: B-SA4TP-TS12-QM-R E: B-SA4TM-TS12-CN F: B-SA4TP-TS12-CN G: B-SA4TP-GS12-CN-R

4

PCB BLOCK





5. Ribbon Motor Block

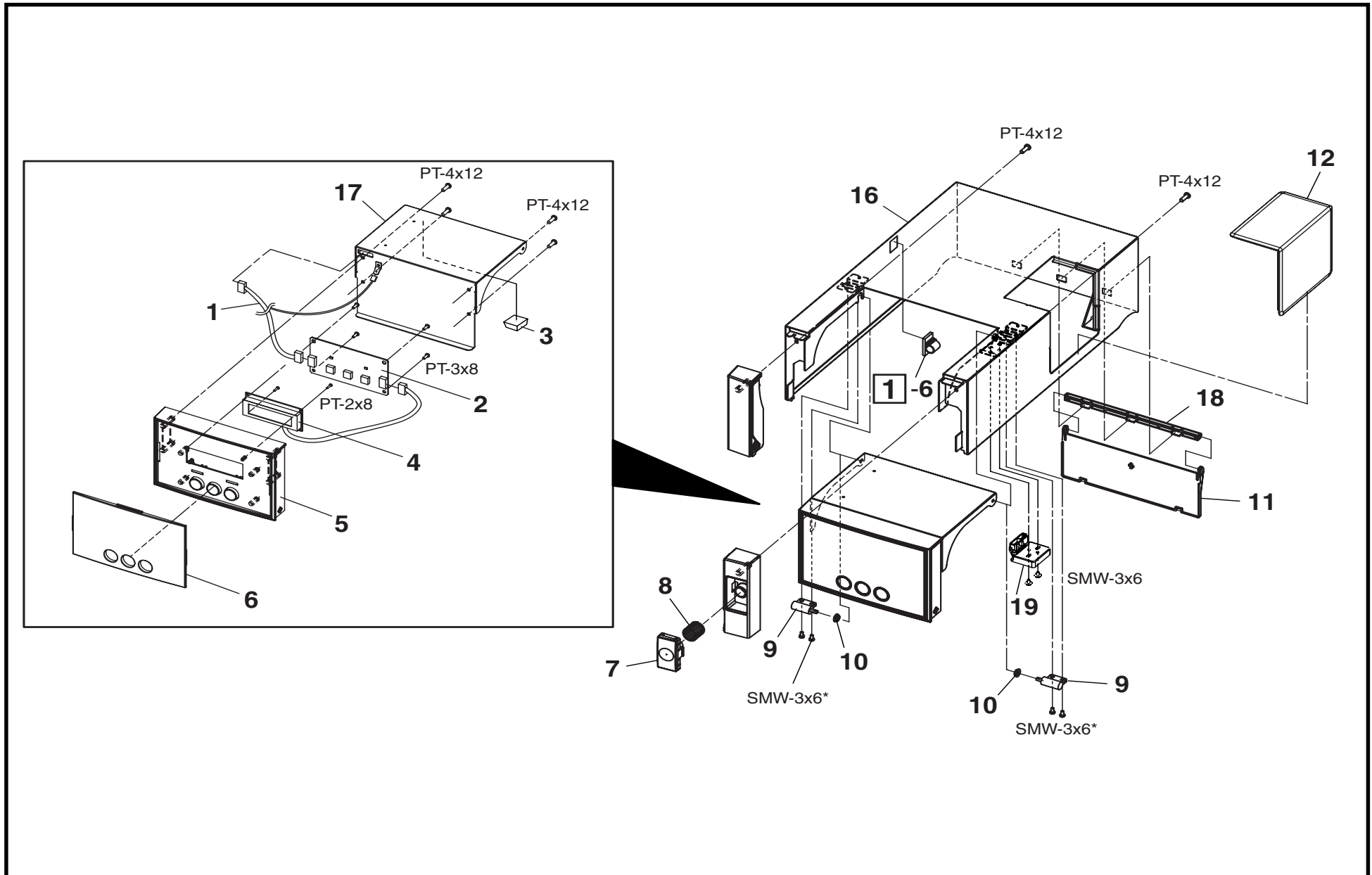
E08-33016
B-SA4T SERIES SEP., 2005
(Revision Date: Nov., 2015)

Ref. No.	Part No.	Description	Remarks	MOQ	A	B	C	D	E	F	G	Recommended Parts
5-1	7FM00887000	Ribbon Slit Gear (Feed)		50	1	1	1	1	1	1	1	D
5-2	7FM00884000	Ribbon Idlear Gear (Feed)		50	1	1	1	1	1	1	1	D
5-3	7FM00886000	Ribbon Slit Gear (Take-up)		50	1	1	1	1	1	1	1	D
5-4	7FM00885000	Ribbon Idlear Gear (Take-up)		50	1	1	1	1	1	1	1	D
5-5	7FM00994000	Ribbon Motor		1	2	2	2	2	2	2	2	E
5-6	7FM01091000	Ribbon Ground Wire		40	1	1	1	1	1	1	1	
5-7	7FM01328100	Ground Wire		**	1	1	1	1	1	1	1	
	07FM01328100F	HRNS-SA HEAD2 EARTH (75mm)	Changed 11/15									
5-8	7FM00881000	Ribbon Gear A		10	2	2	2	2	2	2	2	D
5-9	F0-00708000	Shaft Holder F8-101		1	2	2	2	2	2	2	2	
5-10	7FM00877000	Ribbon Holder (Supply)		20	1	1	1	1	1	1	1	
5-11	7FM00876000	Ribbon Holder (Take-up)		20	1	1	1	1	1	1	1	
5-12	7FM00880000	Ribbon Holder (Right)		30	2	2	2	2	2	2	2	
5-13	7FM00962000	Ribbon Holder Spring		50	2	2	2	2	2	2	2	
5-14	F0-01421000	Shaft Holder F6-45		1	2	2	2	2	2	2	2	
5-15	7FM00932000	Ribbon Holder Frame		1	1	1	1	1	1	1	1	
	7FM04340000		Changed 10/09									
5-16	7FM00979100	Ribbon Motor Drive Unit	Added 10/09	**	1	1	1	1	1	1	1	
5-17	7FM00978100	Ribbon Motor Unit	Added 10/09	1	1	1	1	1	1	1	1	
5-18	7FM00882100	Ribbon Motor Attachment Plate	Added 10/09	2	1	1	1	1	1	1	1	
	07FM00882100F	ASYS-FRM-RBN-SA4 FRU (ROHS)	Changed 01/15									
5-19	7FM00986100	Ribbon Holder Frame Ass'y	Added 10/09	1	1	1	1	1	1	1	1	
5-20	7FM01325000	Gasket-100B	Added 10/09	**	1	1	1	1	1	1	1	

A: B-SA4TM-GS12-QM-R B: B-SA4TM-TS12-QM-R C: B-SA4TP-GS12-QM-R D: B-SA4TP-TS12-QM-R E: B-SA4TM-TS12-CN F: B-SA4TP-TS12-CN G: B-SA4TP-GS12-CN-R

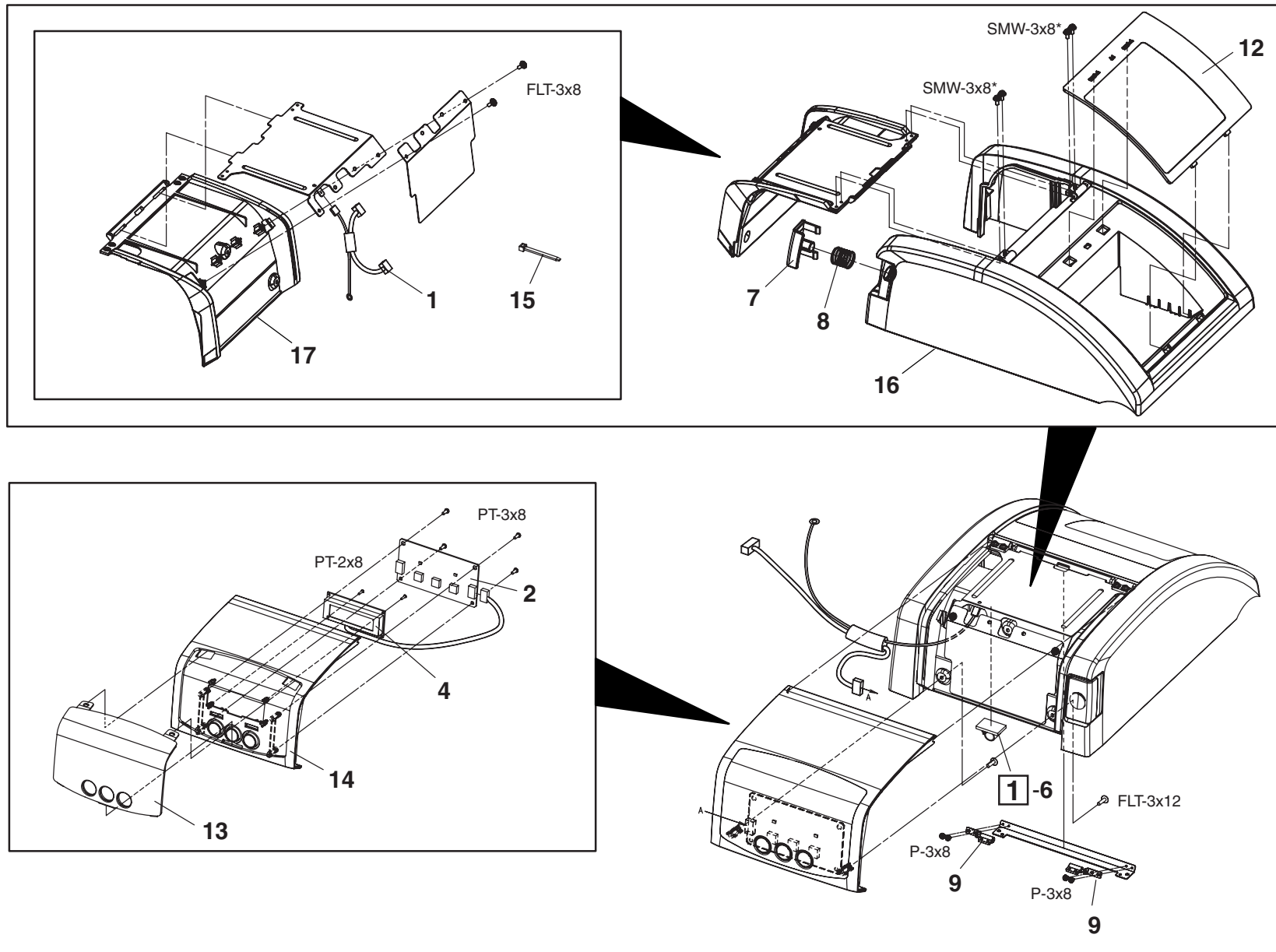
6

OPERATION PANEL (B-SA4TM)



6

OPERATION PANEL (B-SA4TP)

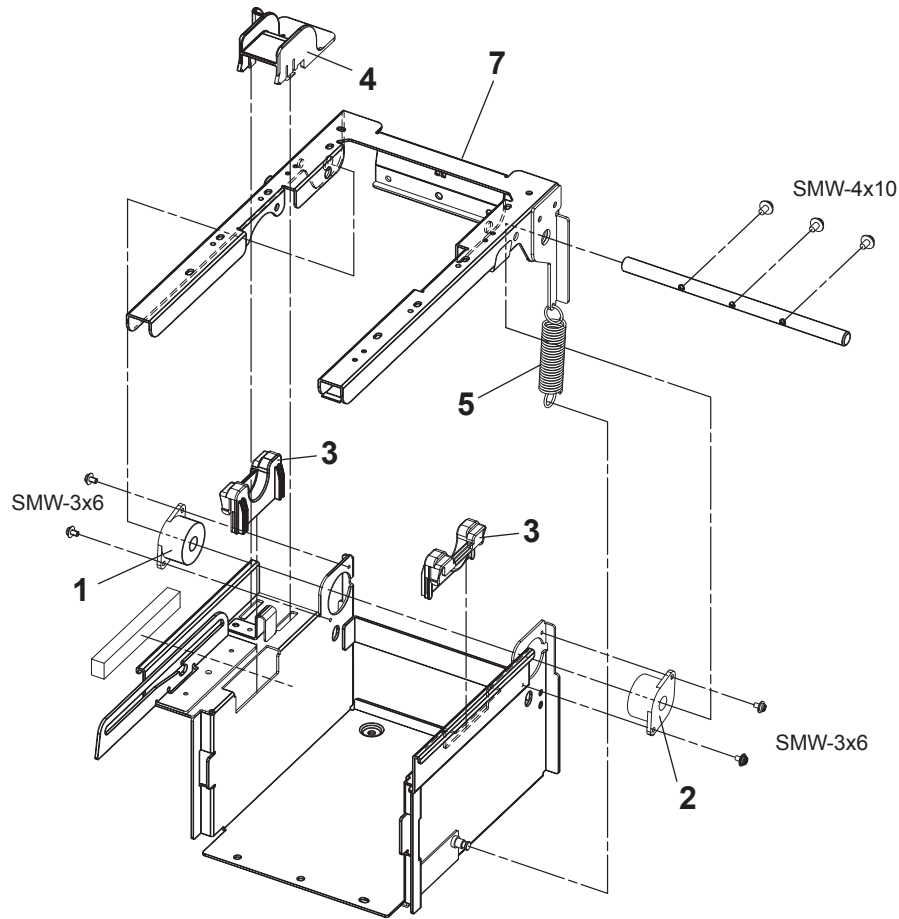


6. Operation Panel

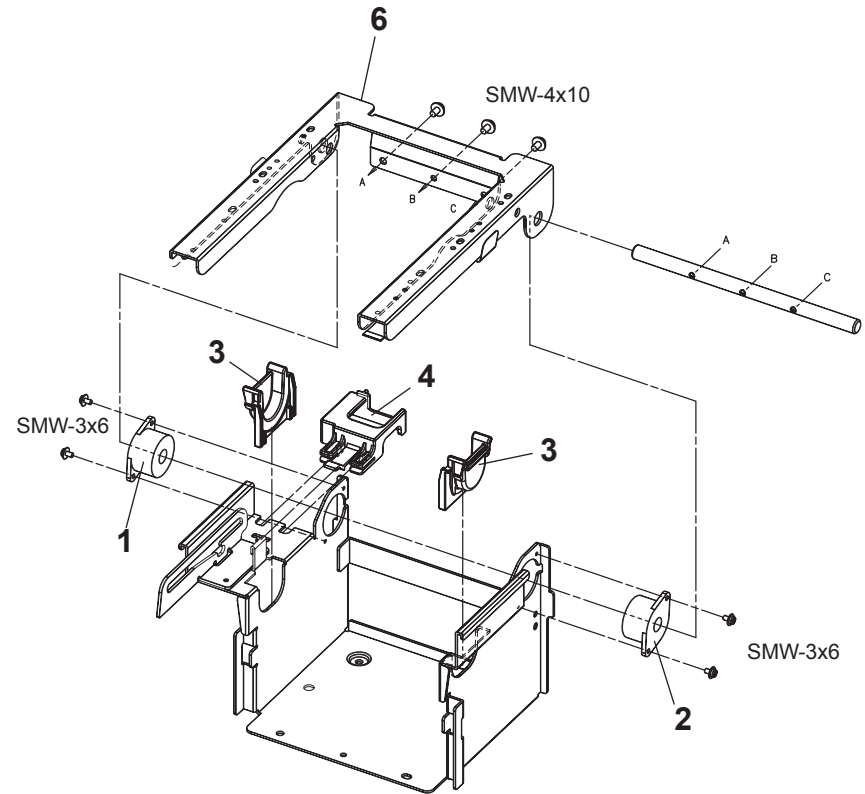
Ref. No.	Part No.	Description	Remarks	MOQ	A	B	C	D	E	F	G	Recommended Parts
6-1	7FM01284000 7FM07454000	Panel PC Board Harness ASYS-HRNS-PNL-SA4	Changed: 2/19	1	1	1	1	1	1	1	1	E
6-2	7FM00716000 7FM00716100	Panel PC Board	Changed: 4/06	**	1	1	1	1	1	1	1	E
6-3	F0-00072000	Cable Clamp TM-166-18		1	1	1	0	0	1	0	0	
6-4	7FM01052000 7FM07455000	LCD PC Board ASYS-LCD-SA4	Changed: 2/19	1	1	1	1	1	1	1	1	E
6-5	7FM01045000	Operation Panel Cover		1	1	1	0	0	1	0	0	
6-6	7FM01039000	Front Panel		**	1	1	0	0	1	0	0	
6-7	7FM01038000	Top Cover Release Button		50	1	1	0	0	1	0	0	
	7FM01205000	Top Cover Release Button		50	0	0	1	1	0	1	1	
6-8	7FM00921000	Release Button Spring		1	1	1	0	0	1	0	0	
6-9	F0-01442000 F0-01831000	Damper TH-134-3 Damper OTU10-8-064	Changed: 2/08	1	2	2	0	0	2	0	0	
	F0-01472000 F0-01830000	Damper TH-134-4A Damper OTU8-4-063	Changed: 2/08	1	0	0	2	2	0	2	2	
6-10	7FM00920000	Damper Holder		1	2	2	0	0	2	0	0	
6-11	7FM01025000	Rear Flap		25	1	1	0	0	1	0	0	
6-12	7FM00922000	Supply Window		4	1	1	0	0	1	0	0	
	7FM01170000	Supply Window		6	0	0	1	1	0	1	1	
6-13	7FM01207000	Front Panel		1	0	0	1	1	0	1	1	
6-14	7FM01234000	Top Front Cover		4	0	0	1	1	0	1	1	
6-15	F0-00563000	Cable Band PLT1M		1	0	0	1	1	0	1	1	
6-16	7FM00958000 7FM00958100	Top Cover	Added: 5/06 Changed: 12/07	1	1	1	0	0	1	0	0	
	7FM01232000	Top Cover	Added: 5/06	4	0	0	1	1	0	1	1	
6-17	7FM00908000	Operation Panel Base	Added: 5/06	1	1	1	0	0	1	0	0	
	7FM01168000 7FM01168100	Operation Panel Base	Added: 5/06 Changed: 9/06	4	0	0	1	1	0	1	1	
6-18	7FM01024000	Rear Panel Hinge	Added: 5/07	50	1	1	1	1	1	1	1	
6-19	7FM02961000	Ribbon Cover Stopper	Added: 12/07	50	1	1	0	0	1	0	0	

7 COVER FRAME BLOCK

(B-SA4TM)



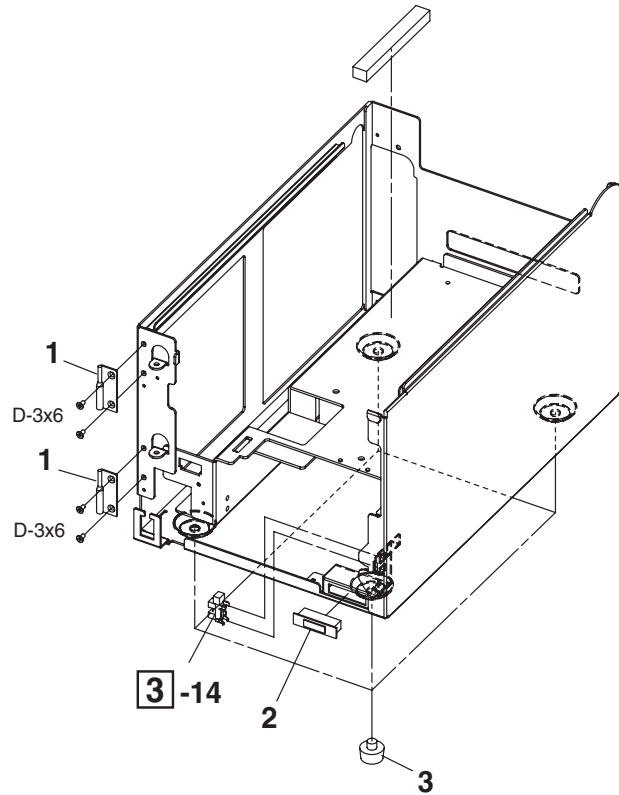
(B-SA4TP)



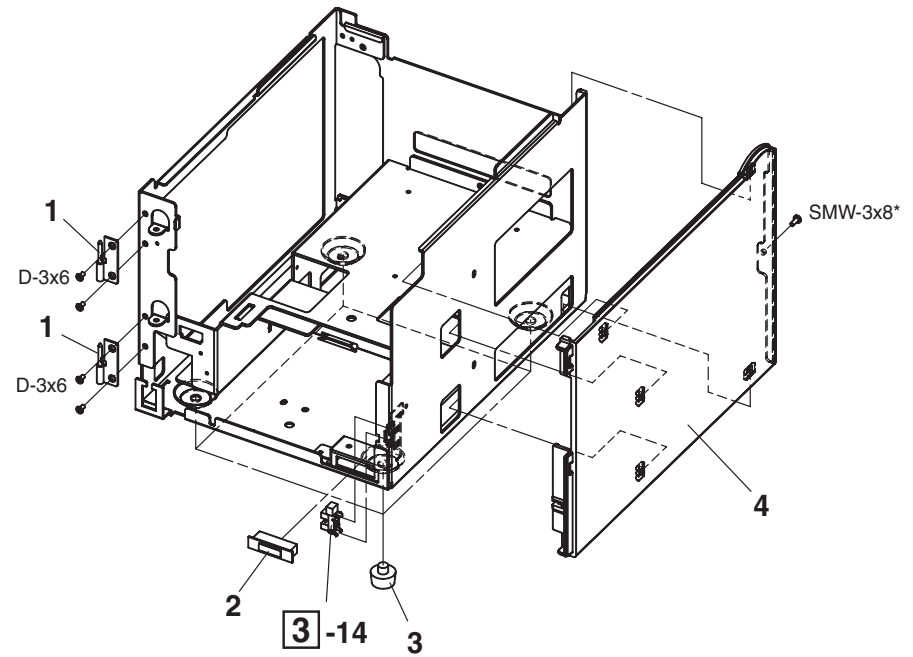
8

BASE BOTTOM BLOCK

(B-SA4TM)



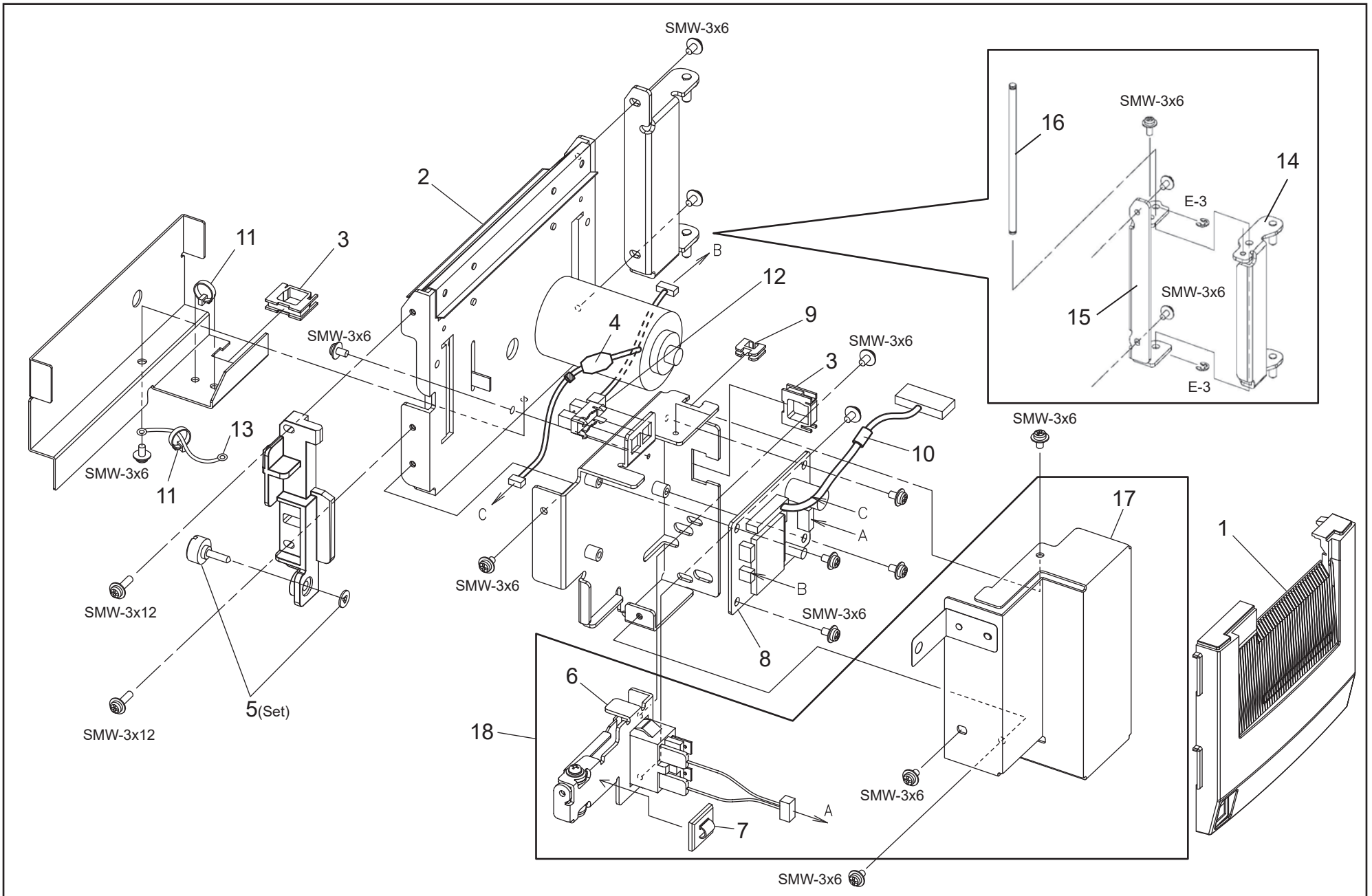
(B-SA4TP)



9. Miscellaneous Parts

Ref. No.	Part No.	Description	Remarks	MOQ	A	B	C	D	E	F	G	Recommended Parts
B-3x6	X0-00430000	Bind Screw M-3x6		**								
B-3x8	X0-00434000	Bind Screw M-3x8		**								
D-3x6	X0-00317000	Dish Head Screw M-3x6		**								
P-3x6	X0-02284000	Pan Head Screw M-3x6		**								
PT-2x8	X0-02391000	Pan Head Tapping Screw M-2x8		**								
PT-3x6	X0-0060000	Pan Head Tapping Screw M-3x6	Added 10/09	**								
PT-3x8	X0-00602000	Pan Head Tapping Screw M-3x8		**								
PT-3x10	X0-00609000	Pan Head Tapping Screw M-3x10		**								
PT-4x12	X0-02037000	Pan Head Tapping Screw M-4x12		**								
FLT-3x8	X0-02039000	Flanged Tapping Screw M-3x8		**								
FLT-3x12	X0-02041000	Flanged Tapping Screw M-3x12		**								
SM-4x8	X0-00163000	Sems Screw M-4x8		**								
SM-4x10	X0-02023000	Sems Screw M-4x10		**								
SMW-2.6x6	X0-02364000	Double Sems Screw M-2.6x6	Small washer	**								
SMW-3x6	X0-0060000 X0-02087000	Double Sems Screw M-3x6	Changed: 2/19	**								
SMW-3x6*	X0-00059000	Double Sems Screw M-3x6	Small washer	**								
SMW-3x8	X0-00076000	Double Sems Screw M-3x8	Small washer	**								
SMW-3x8*	X0-00077000	Double Sems Screw M-3x8		**								
SMW-3x12	X0-02030000	Double Sems Screw M-3x12		**								
SMW-3x14	X0-02135000	Double Sems Screw M3x14		**								
SMW-3x16	X0-02031000	Double Sems Screw M-3x16		**								
SMW-3x30	X0-00138000	Double Sems Screw M-3x30	Small washer	**								
SMW-4x8	X0-00164000	Double Sems Screw M-4x8		**								
SMW-4x10	X0-01984000 X0-00182000	Double Sems Screw M-4x10	Changed: 1/06	**								
E-1.5	X0-00973000	Retaining Ring E type M-1.5		**								
E-3	X0-00964000	Retaining Ring E type M-3		**								
E-4	X0-00965000	Retaining Ring E type M-4		**								
E-5	X0-00966000	Retaining Ring E type M-5		**								
E-6	X0-00967000	Retaining Ring E type M-6		**								
E-7	X0-00968000	Retaining Ring E type M-7		**								
SP-3x12	X0-01535000	Parallel Pin M-3x12	Added: 12/05	**								
W-6	X0-02307000	Washer M-6		**								

30 CUTTER MODULE (B-SA204-QM-R/B-SA204P-QM-R)



30. CUTTER MODULE (B-SA204-QM-R/B-SA204P-QM-R)

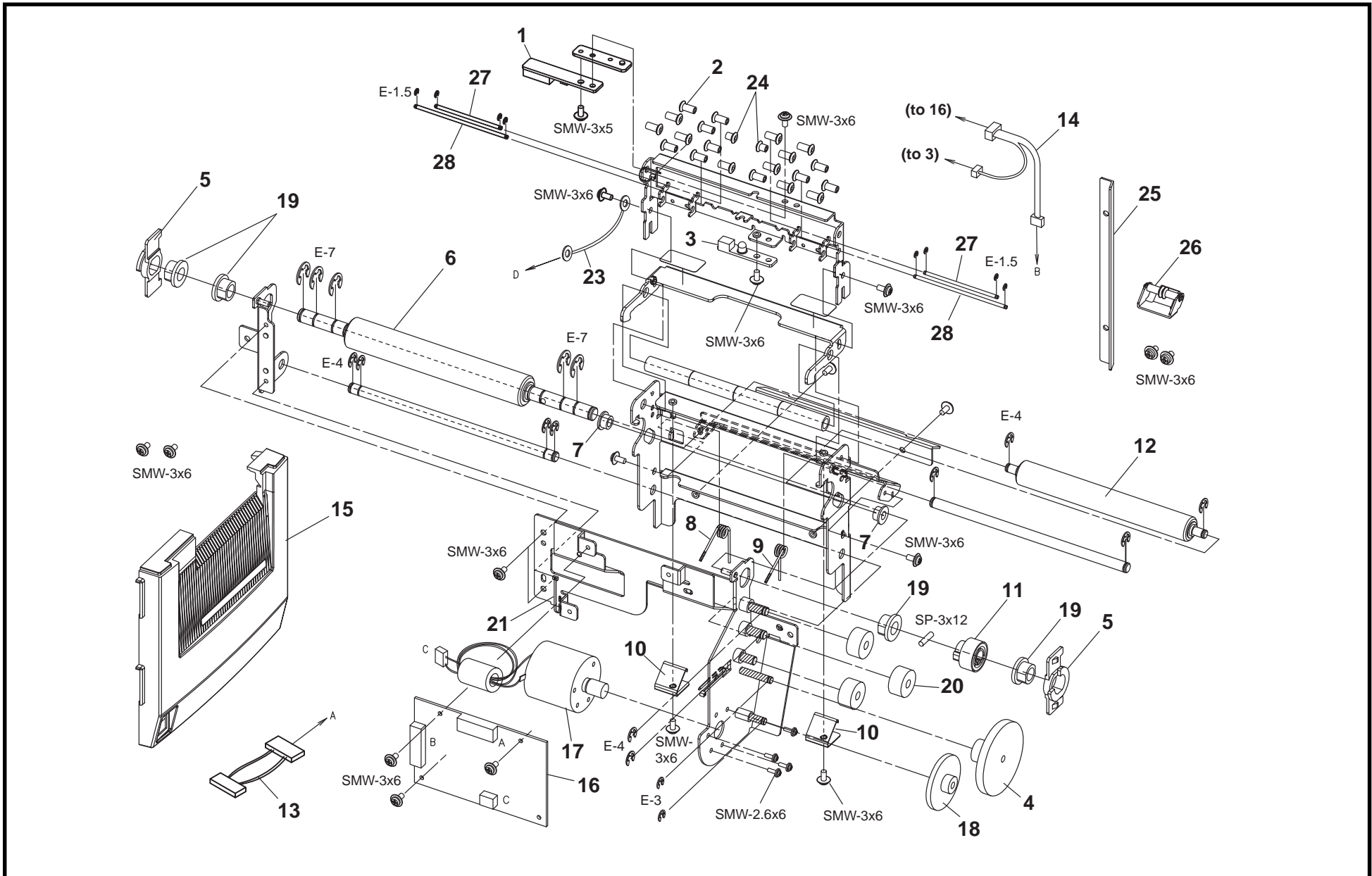
Ref. No.	Part No.	Description	Remarks	MOQ	A	B	C	D	E	F	Recommended Parts
30-1	7FM01211000	Cutter Cover		**	1	1	0				
	7FM01226100	Cutter Cover		**	0	0	1				
30-2	7FM01118400	Cutter and Motor Ass'y		**	1	1	1				D
	7FM01118200		Changed: 4/'19								
30-3	F0-00542000	Cable Protection Bush		1	2	2	2				
30-4	D0-04583000	Ferrite Core SFC-4		1	1	1	1				
	D0-34918000	Ferrite Core GRFC-4	Changed: 5/'13								
30-5	F0-00061000	Set Screw TL-233-2		1	1	1	1				
30-6	7FM00801000	Cutter Cover Open Switch		**	1	0	0				B
	7FM00801100	Cutter Cover Open Switch		**	0	1	1				B
	7FM07325000	ASYB-PLATE-INTSW2	Changed: 1/'18 (Note 2)								
30-7	F0-00208000	Cable Clamp CKN-05		1	1	1	1				
30-8	7FM00734000	Cutter PC Board Ass'y		**	1	1	1				E
	7FM07291000	PWA-SA-CUT2-V2	Changed: 5/'18								
30-9	F0-00120000	Cable Protection Bush ES-0505		1	1	1	1				
30-10	D0-04585000	Ferrite Core SFC-6		1	1	1	1				
	D0-34552000	Ferrite Core RGFC-6	Changed: 5/'13								
30-11	F0-00563000	Cable Band PLT1M	Correction: 9/2005	1	1	1	4 2				
30-12	C0-11118000	Slit Sensor TLP1242 (C6F)		1	1	1	1				E
	C0-12020000	Slit Sensor GP1S74PJ000F	Added: 5/'08	1							
	C0-16141000	Slit Sensor GP1S173LCS2F	Changed: 7/'14								
30-13	7FM01617000	Ground Wire		**	1	1	1				
	7FM01617100	HRNS-SA-PEEL-OFF-EARTH	Changed: 12/'18								
30-14	7FM04799000	Cutter Base A	Added: 9/'11	**	1	1	1				
30-15	7FM04801000	Cutter Base B	Added: 9/'11	**	1	1	1				
30-16	7FM04802000	Cutter base shaft	Added: 9/'11	**	1	1	1				
30-17	7FM07324000	ASYS-COV-SENS-CUTTER	Added: 1/'18 (Note 2)	**	1	1	1				
30-18	7FM07328000	INTSW2-EXCHNG-SET	Added: 1/'18 (Note 2)		**	**	**				

NOTE:

1. The illustration of Ref. No. 30-1 is of the B-SA204-QM/QM-R. This part is slightly different from that of the B-SA204P-QM-R in size and shape.
2. When changing the cutter cover open switch (Ref. No. 30-6) from the current type to the new type, the ASYS-COV-SENS-CUTTER (protection cover: Ref. No. 30-17) is also required to be changed. Or, replace these two parts with the INTSW2-EXCHNG-SET (Ref. No. 30-18) which is an assembly of the new switch and the cover.

A: B-SA204-QM B: B-SA204-QM-R C: B-SA204P-QM-R

31 STRIP MODULE (B-SA904-H-QM/B-SA904P-H-QM-R)



31. STRIP MODULE (B-SA904-H-QM-R/B-SA904P-H-QM-R)

EO8-33016
B-SA4T SERIES SEP., 2005
(Revision Date: Aug., 2019)

Ref. No.	Part No.	Description	Remarks	MOQ	A	B	C	D	E	F	Recommended Parts
31-1	7FM00829000	Upper Strip Sensor		**	1	1					B
31-2	7FM01128000	Label Guide Roller (S)		**	20	20					
31-3	7FM00833000	Lower Strip Sensor		**	1	1					B
	7FM00833100	PWA-SA TDS-L	Changed: 9/18								
31-4	7FM01526000	Strip Idler Gear		**	1	1					D
31-5	7FM01004000	Shaft Holder Plate		**	2	2					
31-6	7FM00970000	Backing Paper Pinch Roller		**	1	1					B
	7FM00970100		Changed: 12/05								
31-7	HDA-0004001	Shaft Holder B-F5-5		1	2	2					
31-8	7FM01528000	Spring (L)		**	1	1					
31-9	7FM01529000	Spring (R)		**	1	1					
31-10	7FM01005000	Spring Plate		**	2	2					
31-11	7FM01496000	Strip Gear		50	1	1					D
	7FM00860000		Changed: 12/05								
31-12	7FM00971000	Backing Paper Feed Roller		**	1	1					B
31-13	7FM01546000	Strip Harness		**	1	1					E
31-14	7FM01545000	Strip Sensor Harness		**	1	1					E
	7FM07641000	HRNS-SA4-TDS	Changed: 8/19								
31-15	7FM01211100	Strip Module Front Cover		**	1	0					
	7FM01226200	Strip Module Front Cover		**	0	1					
31-16	7FM01530000	Strip Drive PC Board		1	1	1					E
	7FM07215000	PWA-SA-PWM2	Changed: 2/18								
31-17	7FM01531000	Strip Motor		**	1	1					E
31-18	FMHB0024001	Idler Gear		1	1	1					D
31-19	F0-00708000	Shaft Holder F8-101		1	4	4					
31-20	7FM00846000	Platen Idler Gear		1	3	3					D
31-21	F0-00563000	Cable Band PLT1M		1	3	3					
31-22	F0-00460000	Cable Clamp MSC-4	Deleted: 12/05		4	4					
31-23	7FM01617000	Ground Wire	Added: 12/05	**	1	1					
31-24	7FM01791000	Label Guide Roller S-C	Added: 12/05	**	2	2					
31-25	7FM01512000	Cutter	Added: 12/05	**	1	1					
31-26	7FM01768000	Guide Roller	Added: 12/05	**	1	1					
31-27	7FM01770000	SHAFT-PEEL-RLR-S-SA4	Added: 07/15	**	2	2					
31-28	7FM01133000	SHAFT-PEEL-RLR	Added: 07/15	**	2	2					

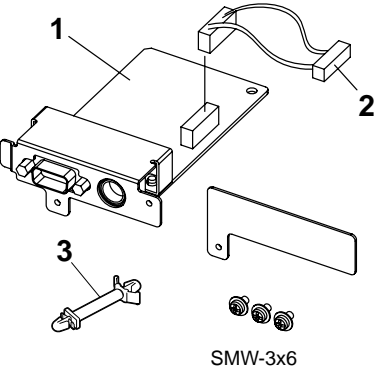
NOTE:

The illustration of Ref. Nos 31-15 is of the B-SA4TM. This part is slightly different from that of the B-SA4TP in size and shape.

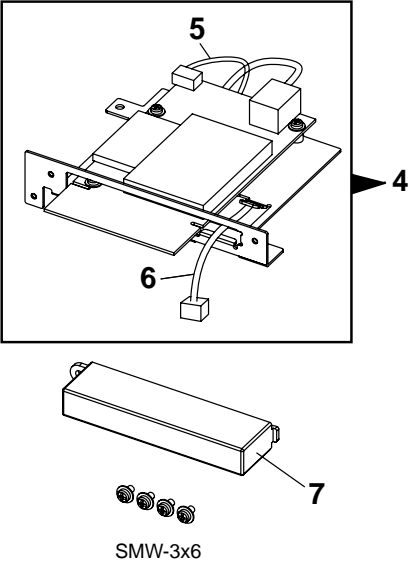
A: B-SA904-H-QM-R B: B-SA904P-H-QM-R

32 OTHER OPTIONAL KITS

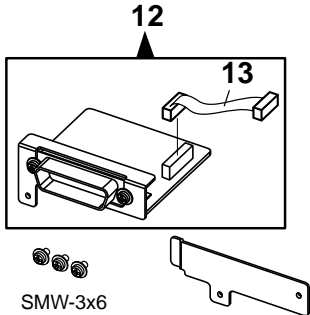
**B-SA704-RS-QM-R
 Serial Interface Board**



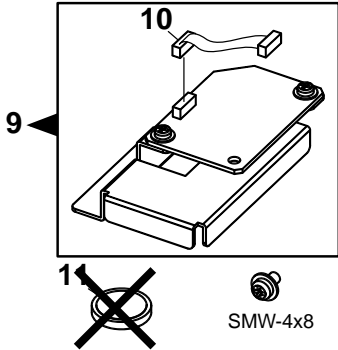
**B-SA704-WLAN-QM
 Serial Interface Board**



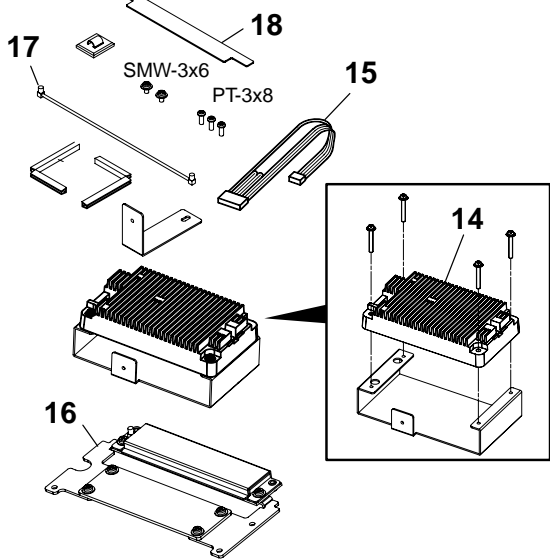
**B-SA704-IO-QM-R
 Expansion I/O Board**



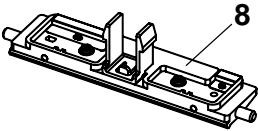
**B-SA704-RTC-QM-R
 Real Time Clock**



**B-SA704-RFID-U2-EU-R
 RFID Module**



**B-SA704-TPH3-QM-R
 300DPI Print Head**



32. Other Optional Kits

Ref. No.	Part No.	Description	Remarks	MOQ	A	B	C	D	E	F	G	Recommended Parts
Serial Interface Board: B-SA704-RS-QM-R												
32-1	-----	Serial Interface PC Board			1	1	1	1	1	1	1	E
32-2	7FM00795000	Serial Interface Cable		10	1	1	1	1	1	1	1	E
Mar-32	F0-01510000	Locking Support WPCS-19S-4.0		1	1	1	1	1	1	1	1	
	F0-02308000	Locking Support WPCS-19SV0-4.0	Changed: 16/05									
Wireless LAN Module: B-SA704-WLAN-QM												
32-4	-----	Wireless LAN PC Board			1	1	1	1	1	1	1	E
32-5	7FM01116000	Wireless LAN Power Cable		**	1	1	1	1	1	1	1	E
32-6	7FM01117000	LAN Cable		**	1	1	1	1	1	1	1	E
32-7	7FM01081000	Antenna Cover		**	1	1	1	1	1	1	1	
32-9	7FM01799000	Shield Sheet	Added: 12/05	**	1	1	1	1	1	1	1	
300-DPI Print Head: B-SA704-TPH3-QM-R												
32-8	-----	300-dpi Print Head			1	---	1	---	---	---	1	
Real Time Clock: B-SA704-RTC-QM-R												
32-9	-----	Real Time Clock	Added: 12/05		1	1	1	1	1	1	1	E
32-10	7FM01796000	RTC Interface Cable	Added: 12/05	**	1	1	1	1	1	1	1	E
32-11	E0-04306000	Lithium Battery CR2032	Deleted: 16/05	4	4	4	4	4	4	4	4	E
	E0-12906000	Lithium Battery CR2032-A//Z	Deleted: 16/05									
	E0-14124000	Lithium Battery CR2032-A1//Z	Deleted: 16/05									
Expansion I/O Board: B-SA704-IO-QM-R												
32-12	-----	Expansion I/O Board	Added: 12/05	**	1	1	1	1	1	1	1	E
32-13	7FM00796000	I/O Board Interface Cable	Added: 12/05	**	1	1	1	1	1	1	1	E
RFID Module: B-SA704-RFID-U2-EU-R												
32-14	7FM02612100	RFID Module U2-EU-R	Added: 2/08	**	1	1	1	1	0	0	0	
	7FM03655100		Changed: 11/08									
32-15	7FM02916000	Interface Cable	Added: 2/08	**	1	1	1	1	0	0	0	
32-16	7FM03011000	Antenna Ass'y	Added: 2/08	**	1	1	1	1	0	0	0	
32-17	7FM03002000	Antenna Cable	Added: 2/08	**	1	1	1	1	0	0	0	
32-18	7FM03024000	Short Pitch Tag Shield	Added: 2/08	**	1	1	1	1	0	0	0	