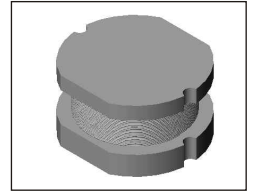


SMT Power Inductor

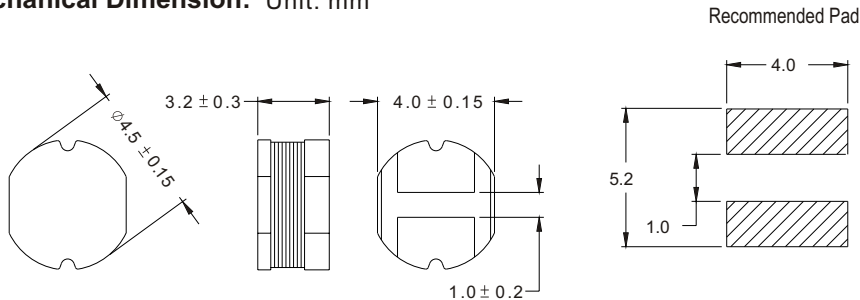
CD43 Type

Features

- Low profile (3.5mm max. height) SMD type.
- Unshielded.
- Self-leads, suitable for high density mounting.
- High energy storage and low DCR.
- Provided with embossed carrier tape packing.
- Ideal for power source circuits, DC-DC converter, DC-AC inverters inductor application.
- In addition to the standard versions shown here, custom inductors are available to meet your exact requirements.

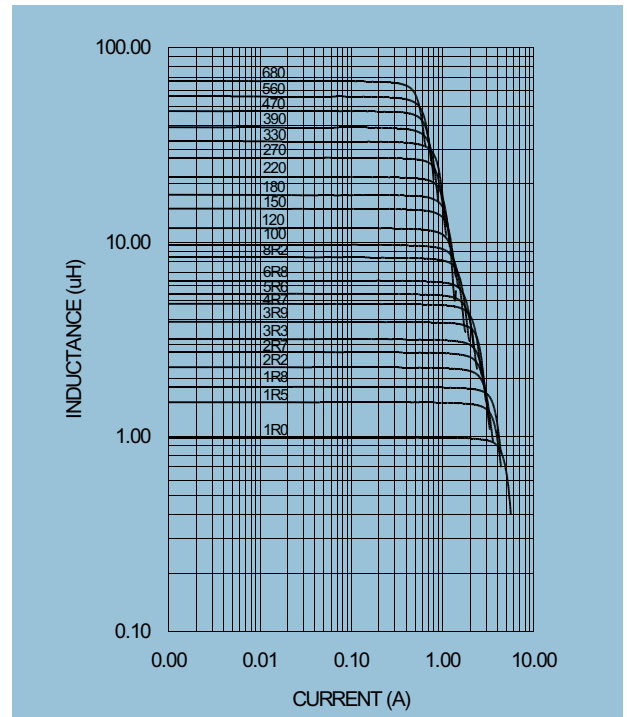


Mechanical Dimension: Unit: mm



Electrical Characteristics:

PART NO.	L* (uH)	DCR (Ω) MAX	I _{RATED} ** (A)
CD43 - 1R0	1.0	0.048	2.7
CD43 - 1R5	1.5	0.056	2.6
CD43 - 1R8	1.8	0.063	2.0
CD43 - 2R2	2.2	0.071	1.9
CD43 - 2R7	2.7	0.078	1.8
CD43 - 3R3	3.3	0.086	1.7
CD43 - 3R9	3.9	0.093	1.6
CD43 - 4R7	4.7	0.108	1.5
CD43 - 5R6	5.6	0.125	1.4
CD43 - 6R8	6.8	0.131	1.3
CD43 - 8R2	8.2	0.146	1.2
CD43 - 100	10	0.182	1.1
CD43 - 120	12	0.210	0.97
CD43 - 150	15	0.235	0.85
CD43 - 180	18	0.338	0.74
CD43 - 220	22	0.378	0.68
CD43 - 270	27	0.522	0.62
CD43 - 330	33	0.540	0.56
CD43 - 390	39	0.587	0.52
CD43 - 470	47	0.844	0.44
CD43 - 560	56	0.937	0.42
CD43 - 680	68	1.117	0.37



★ Tolerance of inductance

1.0~8.2uH±15% 10~68uH±10%

★★ I_{RATED}: rated current. ΔL<10%, ΔT<45°C at I_{RATED}

★★★ Operating temperature: -20°C to 105°C (including self-temperature rise)

★★★★ Test condition at 25°C: 1KHz, 1V



沙井欣旺电子有限公司

XINWANG ELECTRONICS, INC.

HTTP://WWW.XINWANGELE.COM

TEL: 0755-29696626

FAX: 0755-27289711

E-mail: sales@xinwangele.com