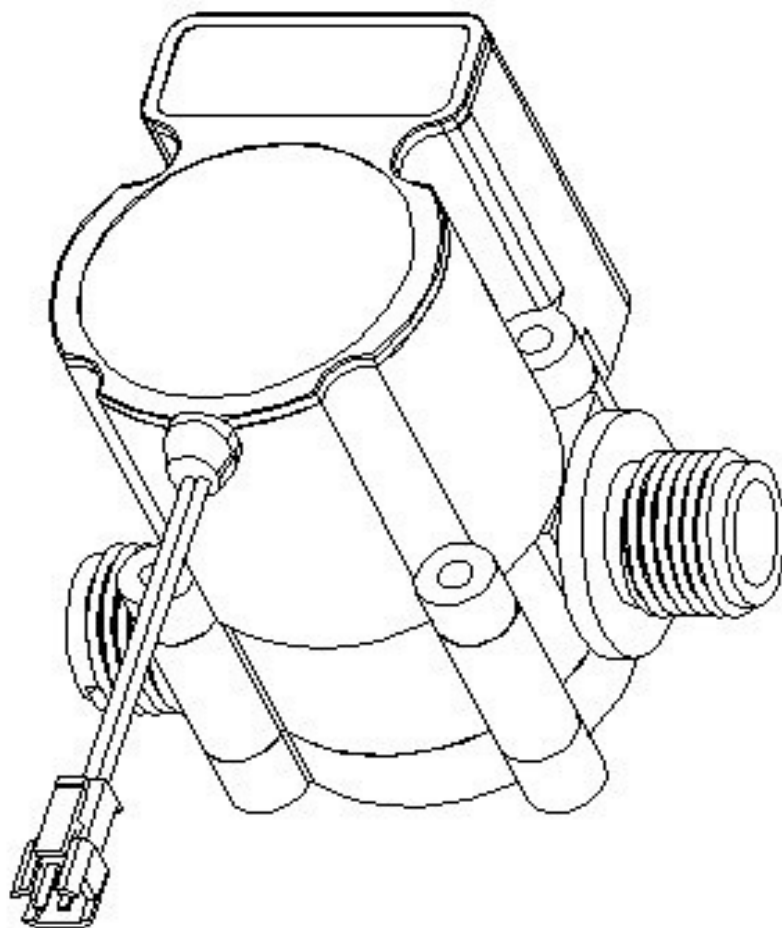


Hydro-Generator Specification

Model : DB-370F



DB-370F Specification Sheet

| | |
|-----------------------------------|------------------------------------|
| Working Pressure | < 2KGF |
| Pressure Drop | 0.4 Bar (3.0 L / Min) |
| Peak Current | 1.4 A |
| Stand-by Current | Max. 1.4A |
| Voltage Output | 3.6V _{DC} --- 700mAh |
| Power Output | 125mW (4LPM) |
| Battery Capacity | 700mAh |
| Max. Flow | 20 L / Min (2KGF) |
| Water-resistance | IP4 |
| High limited voltage | 4.3V _{DC} |
| Dimensions | L 84.5 mm - W 64.5 mm - H 81 mm |
| Wire Length | 84mm |
| Jack Type | JWT C2521 Terminal Plug |
| Connect Thread Gauge | G 1/2" |
| Weight | 195 ± 5g |
| Burst Pressure | 20KGF |
| Normal Operation Temp. | 4 °C~80 °C |
| Max. Intermittent Operating Temp. | 110 °C max. 30 min |
| Generating Model | NACuM Core (PAT NO.DE202006004800) |
| Battery Type | Li-polymer Battery with PCM |

NACuM Performance

The table shows the NACuM generated power at several flows, at a 100 Ohm resistor.

Flow(LPM) Voltage(V_{DC}) Current(mA) Power(mW)

| | | | |
|-----|------|------|-------|
| 2.7 | 3.4 | 34 | 115.6 |
| 3 | 3.5 | 35 | 122.5 |
| 4 | 3.6 | 36 | 129 |
| 12 | 3.66 | 36.6 | 133.9 |

EP-370F Drawing

