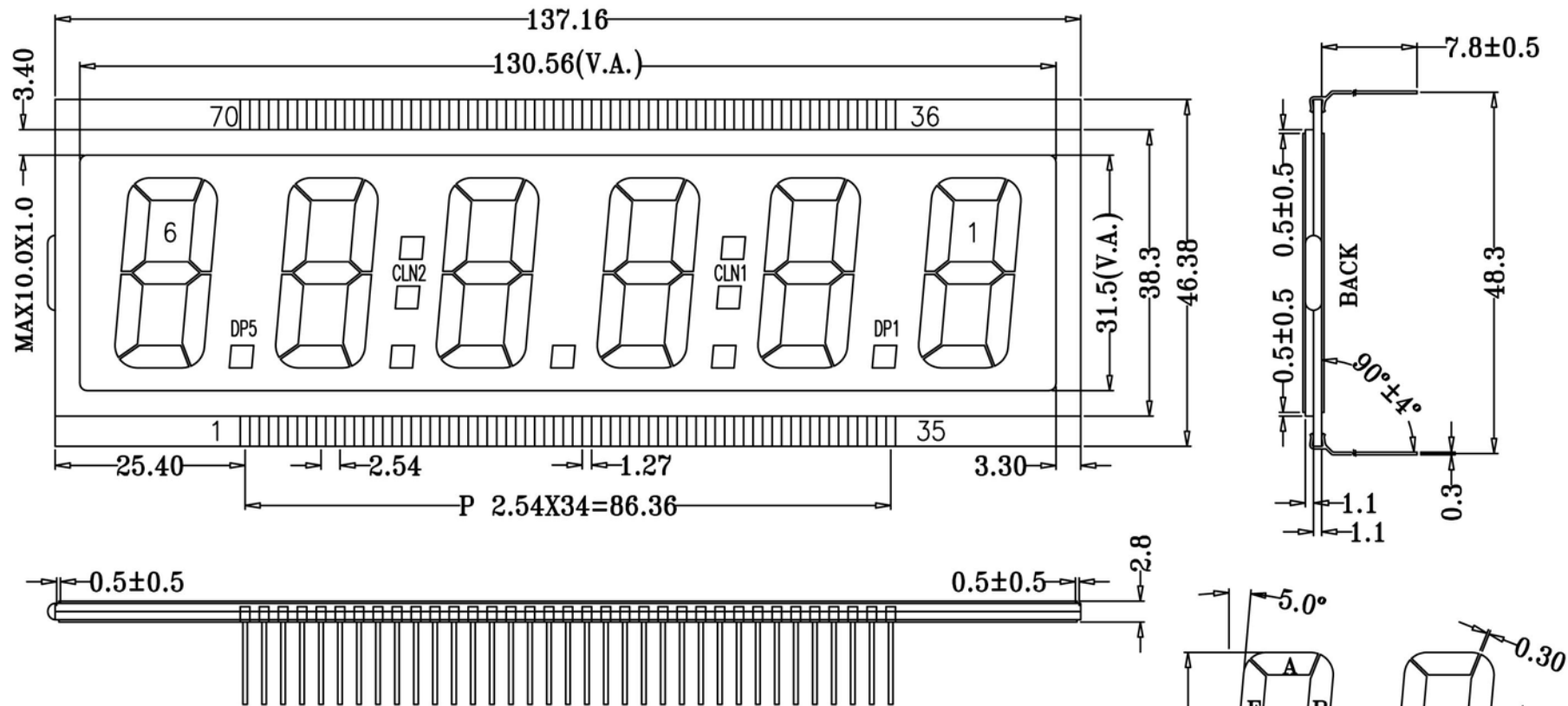


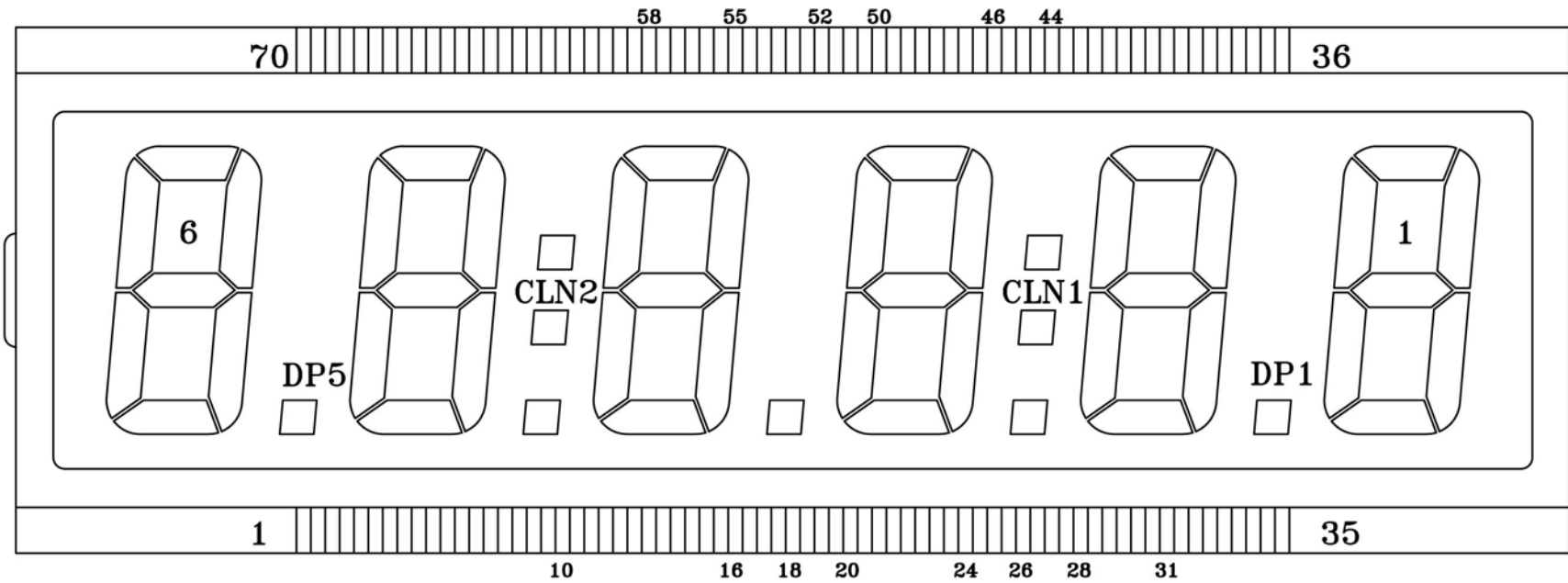
<b>Manufacturer</b>	GOODDISPLAY
<b>Part Number</b>	ED139
<b>Display content</b>	6-digits
<b>Outline Dimension</b>	137.16x46.38x2.8mm
<b>Active Area</b>	130.56x31.5mm
<b>Viewing Direction</b>	6:00/12:00 o'clock
<b>Backlight Color</b>	White ,(Optional)
<b>Operating Voltage</b>	3V/5V
<b>Operating Temp</b>	Normal temp LCD : -10°C—60°C Extended temp LCD: -20°C—70°C Super-extended temp LCD: -40°C—80°C
<b>Storage Tempe</b>	Normal temp LCD : -20°C—70°C Extended temp LCD: -30°C—80°C Super-extended temp LCD: -45°C—85°C
<b>Drive method</b>	Static
<b>Display Type</b>	TN Positive
<b>Polarizer Mode</b>	Reflective/Transflective/Transmissive
<b>Connector</b>	Pin (70Pins) Pin Length is optional
<b>Net Weight</b>	38g



DISPLAY TYPE: TN/POSITIVE  
 POLARIZER: TRANSMISSIVE  
 VIEWING DIRECTION: 6:00-CLOCK  
 DRIVE METHOD: 1/1DUTY, 1/1 BIAS  
 OPERATING VOLTAGE: 5.0V  
 OPERATING TEMP: -30 TO 80 Deg.C  
 STORAGE TEMP: -40 TO 90 Deg.C  
 CONNECTOR: PIN

## Dalian Good Display Co.,Ltd

DESIGN MODEL		ED139	
VAR.	A	DATE	2006.08.17
CUSTOMER MODEL		APPROVED BY	
		CHECKED BY	
PAGE 1/1		DRAWN BY	QI HE CHUN



PIN	1	2	3	4	5	6	7	8	9	10	11	12	13	14	15	16	17	18
COM1	COM1	6E	6D	6C	DP5	5E	5D	5C	DP4	4E	4D	/	/	/	/	4C	/	DP3
PIN	19	20	21	22	23	24	25	26	27	28	29	30	31	32	33	34	35	36
COM1	3E	3D	/	/	/	3C	/	DP2	2E	2D	/	/	2C	DP1	1E	1D	1C	1B
PIN	37	38	39	40	41	42	43	44	45	46	47	48	49	50	51	52	53	54
COM1	1A	1F	1G	2B	2A	2F	2G	CLN1	/	3B	/	/	/	3A	3F	3G	/	/
PIN	55	56	57	58	59	60	61	62	63	64	65	66	67	68	69	70	/	/
COM1	4B	/	/	4A	4F	4G	CLN2	5B	5A	5F	5G	6B	6A	6F	6G	COM1	/	/

**Dalian Good Display Co.,Ltd**