

DS-211-G push button with green color

Product features

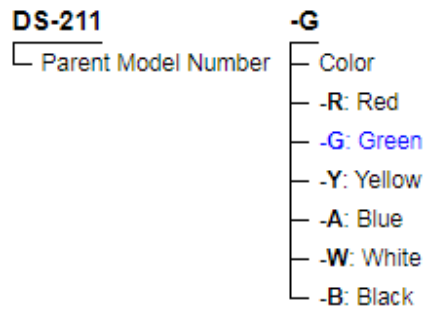


Product description

Model number and parameters

| Model number | Head shape | Action method | Contact form | Contact rating | Color code |
|------------------------|------------|---------------|--------------|----------------|-------------------------|
| DS-211 | Round | Self-lock | ON-OFF | 1A@250VAC | R, G, Y, A, W, B |
| DS-213 | Round | Reset | (ON)-OFF | 1A@250VAC | R, G, Y, A, W, B |
| DS-314 | Round | Reset | (ON)-OFF | 0.5A@125VAC | R, G, Y, A, W, B |
| DS-315 | Round | Reset | ON-(OFF) | 0.5A@125VAC | R, G |
| DS-316 | Round | Reset | (ON)-OFF | 0.5A@125VAC | R, G, Y, A, W, B |
| DS-450 | Round | Self-lock | ON-OFF | 1A@250VAC | R, G |
| DS-451 | Round | Reset | (ON)-OFF | 1A@250VAC | R, G |
| DS-461 | Round | Reset | (ON)-OFF | 2A@125VAC | R, G |

DS-211 push button model number legend



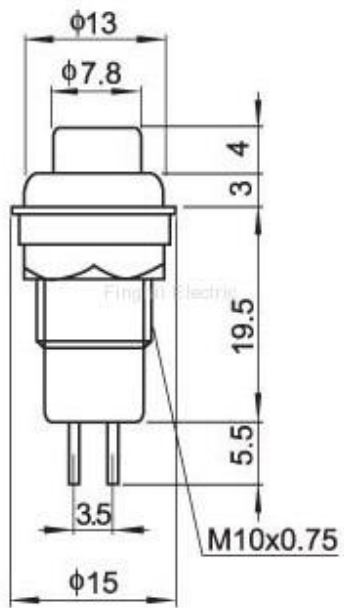
General

| | |
|------------------------------|---|
| Model number | 10mm DS series |
| Mounting dimensions | φ10 |
| Contact resistance | 50mΩ max |
| Insulation resistance | 100MΩ min |
| Dielectric strength | 1500Vac, 50Hz for 1min |
| Mechanical Life | 2x10 ⁵ cycles |
| Electrical life | 5x10 ⁴ cycles |
| IP degree | IP40 |
| Terminals | 2 pin |
| Operation temperature | -25 to 55°C |
| Operation humidity | 45 to 85% RH, no-condensation |
| Alias name | 10mm DS series push button switch, pushbutton |

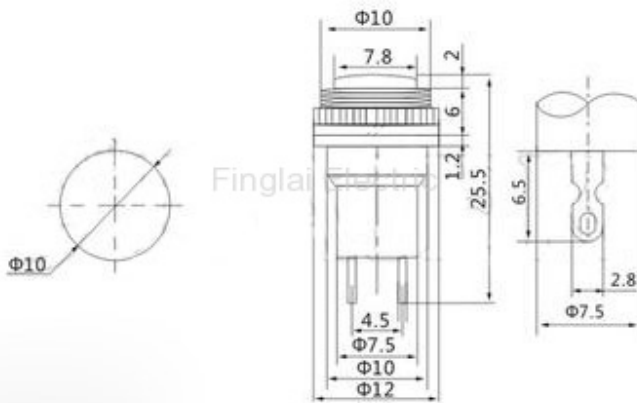
DS-211 push button child models

| No | Model Number | Color | MOQ | Unit Price | Related Product |
|----|--------------|--------|-----|------------|------------------------------|
| 1 | DS-211-R | Red | 10 | US \$0.14 | Order |
| 2 | DS-211-G | Green | 10 | US \$0.14 | Visiting... |
| 3 | DS-211-Y | Yellow | 10 | US \$0.14 | Order |
| 4 | DS-211-A | Blue | 10 | US \$0.14 | Order |
| 5 | DS-211-W | White | 10 | US \$0.14 | Order Unfold |

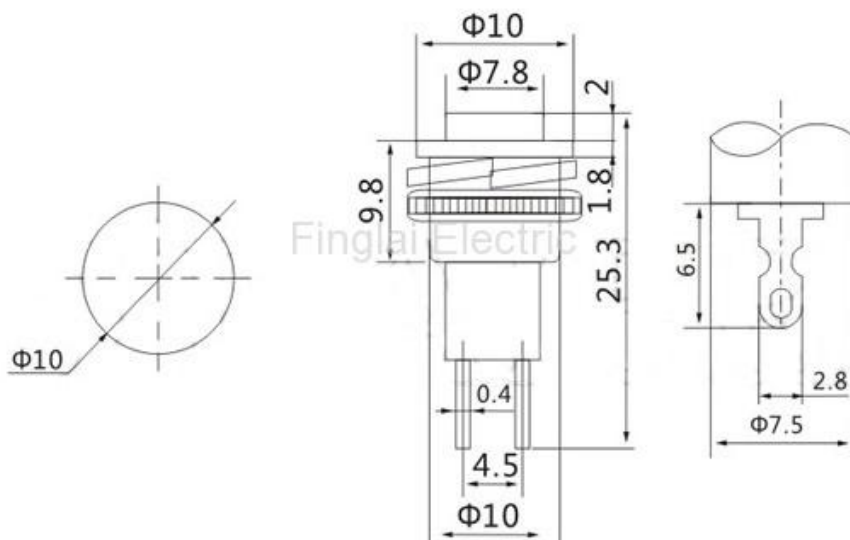
DS-211 push button drawing



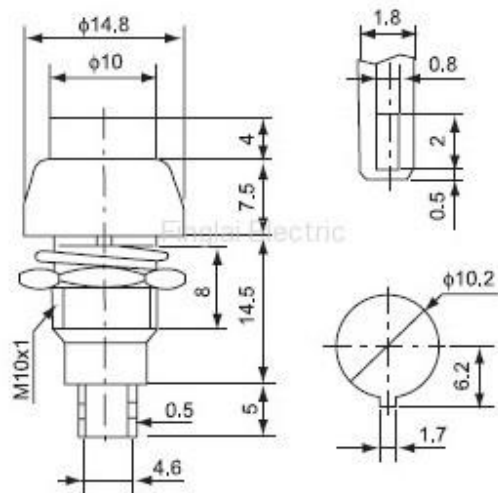
DS-314 push button drawing



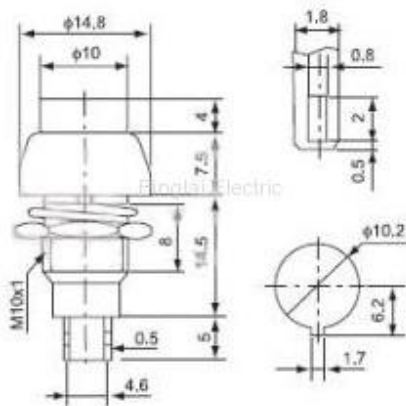
DS-316 push button drawing



DS-450 push button drawing



DS-461 push button drawing



Packaging Details

Package weight: 0.05kg

Package size: 10 x 10 x 2 cm

Product quantity: 10pcs