

3014 side-emitting smd led white

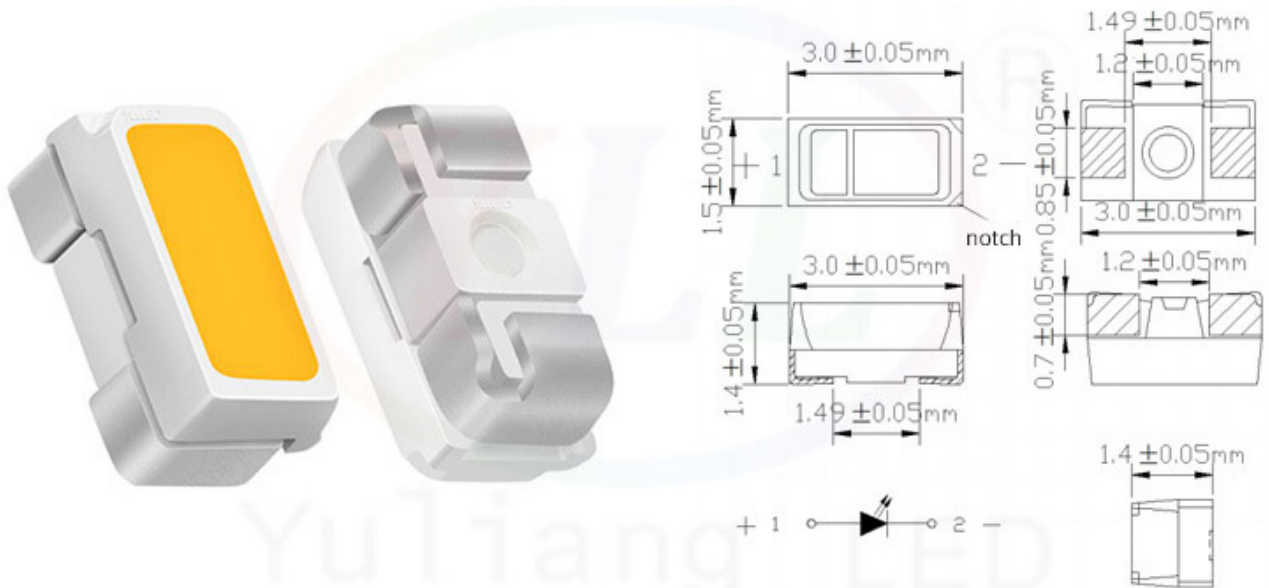
3014 side-emitting smd led chip (white light),dual use on the front and side.

Tech Specs:

- Type:SIDE VIEW SMD LED
- Model Number:YLL-T3014W
- Power:0.1W,0.2W
- Ra:80-90Ra
- Chip: Epistar ,CREE
- Viewing Angle:120°
- Emitting Color: gold yellow,warm white,neutral light,pure white,cool white,pink,ice blue.
- Warranty:2Years

Tech Specs

3014 White Side Emitting



3014 white side emitting smd led chip(0.1W \ 0.2W) Characteristics:high brightness,thick bracket,anti-bending

3014 white side emitting smd led chip Parameter:

Product	Color	VF (V)	CCT (K)	IV (lm)	IF (mA)	Angle (°)
3014 White side emitting (0.2W)	gold yellow	2.8-3.4	1500- 1700K	18-20lm	60mA	120
	warm white	2.8-3.4	2800- 3200K	20-22lm	60mA	120
	neutral light	2.8-3.4	4000- 4500K	20-22lm	60mA	120
	pure white	2.8-3.4	6000- 6500K	20-22lm	60mA	120
	cool white	2.8-3.4	7000- 25000K	16-18lm	60mA	120
	pink	2.8-3.4	25000- 30000K	12-14lm	60mA	120
	ice blue	2.8-3.4	25000- 30000K	12-14lm	60mA	120
Can be customized, For 3014 lamp bead (0.2W) specification, please contact service.						

3014 white side emitting smd led chip Application:billboard,indoor dec