

EG4001 Datasheet

PIR Controller

Contents

1.	Features	3
2.	General Description	3
3.	Applications	3
4.	Device Information	4
4.1.	Pin map	4
4.2.	Pin Functions.....	4
5.	Block Diagram	5
6.	Application Schematics	5
6.1	EG4001 Typical Application Schematic	5
6.2	EG4001 Application Schematic to Drive Relay	6
6.3	EG4001 Application Schematic in Auto Trigger and CDS detector.....	6
7.	Electrical Characteristics	7
7.1	Absolute maximum ratings	7
7.2	Recommended operating conditions.....	8
8.	Functional Description.....	9
8.1	Oscillator	9
8.2	Turn on delay timer and Stable timer	9
8.3	Single Trigger and Auto Trigger on A pin.....	10
8.4	Enable/Disable Trigger Function on Vc pin	10
8.5	OP amp Gain Setting	11
9.	Package Information	12
9.1	DIP8 Dimension.....	12
9.2	SOP8 Dimension.....	12

EG4001 Datasheet V1.0

1. Features

- 8-Pin SOP8/DIP8 Packaging
- Minimal Peripheral Components Required
- Low Supply Current: 45uA @VDD=3V and 75uA @VDD=5V
- Built-in 2-stage Operational Amplifier
- Built-in Fixed-gain 20x in 2nd Stage OP amp
- Built-in Window Comparator for Two Independent Voltage Monitors
- Built-in Internal Reference Voltages for OP amps and Comparators
- Provide Adjustable Turn on Delay Timer and Stable Timer
- Wider supply voltage: +2.3V ~ +6Vdc

2. General Description

The EG4001 IC is a PIR controller, using analog mixing digital designed by CMOS process, The EG4001 contains two operational amplifiers, window comparator, voltage reference, turn on delay timer and stable timer, and digital state controller, dedicated to Alarm system, Auto door system, and LED light controller etc.

The EG4001 is available in an 8-Pin SOP/DIP the necessary features to implement PIR control schemes with a minimal external parts count, which can reduce the material cost and save the PCB board space.

3. Applications

- PIR Alarm System
- Automatic Dryer
- PIR Sensor Door Bell
- PIR Light Controller
- LED Microwave Radar Light Controller
- Auto Door System

4. Device Information

4.1. Pin map

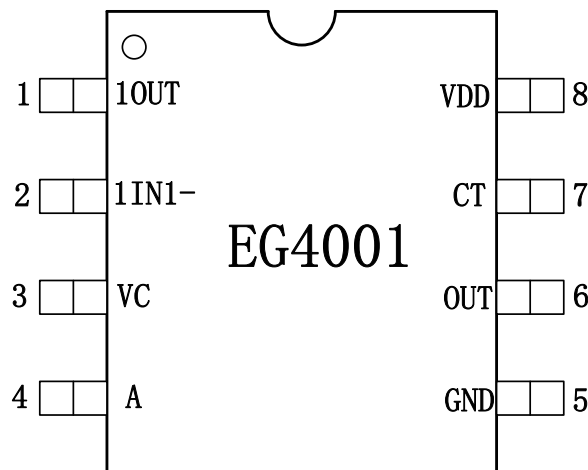


Figure 4.1 EG4001 pin map

4.2. Pin Functions

Designator	Name	I/O	Descriptions
1	1OUT	O	First stage OP amp output.
2	1IN-	I	First stage OP amp negative input.
3	VC	I	Enable/Disable trigger function for photo resistor input: <ul style="list-style-type: none"> ● Disable the sensor function when voltage of VC pin is lower than 0.2VDD, and OUT pin is always to low level ● Enable the sensor function when voltage of VC pin is higher than 0.2VDD.
4	A	I	Trigger mode selection for single trigger or auto trigger input: <ul style="list-style-type: none"> ● It's in auto trigger mode when voltage of A pin is higher than 0.7VDD. ● It's in single trigger mode when voltage of A pin is lower than 0.2VDD.
5	GND	I	Device ground reference.
6	OUT	O	Output, active high <ul style="list-style-type: none"> ● Sink current:10 mA max @VDD=3V and 25 mA max @VDD=5V ● Source current:10 mA max @VDD=3V and 25 mA max @VDD=5V
7	CT	I	Oscillator timing capacitor input
8	VDD	I	Supply voltage: +2.3V~+6Vdc.

5. Block Diagram

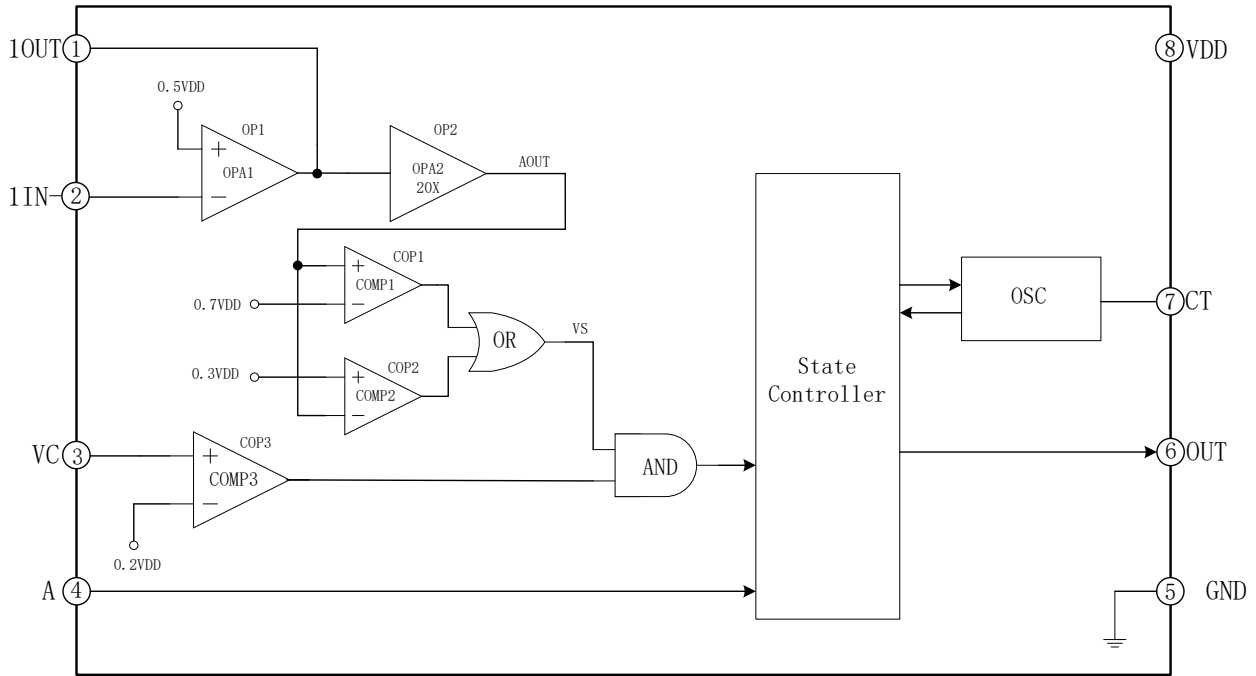


Figure 5.1EG4001 block diagram

6. Application Schematics

6.1 EG4001 Typical Application Schematic

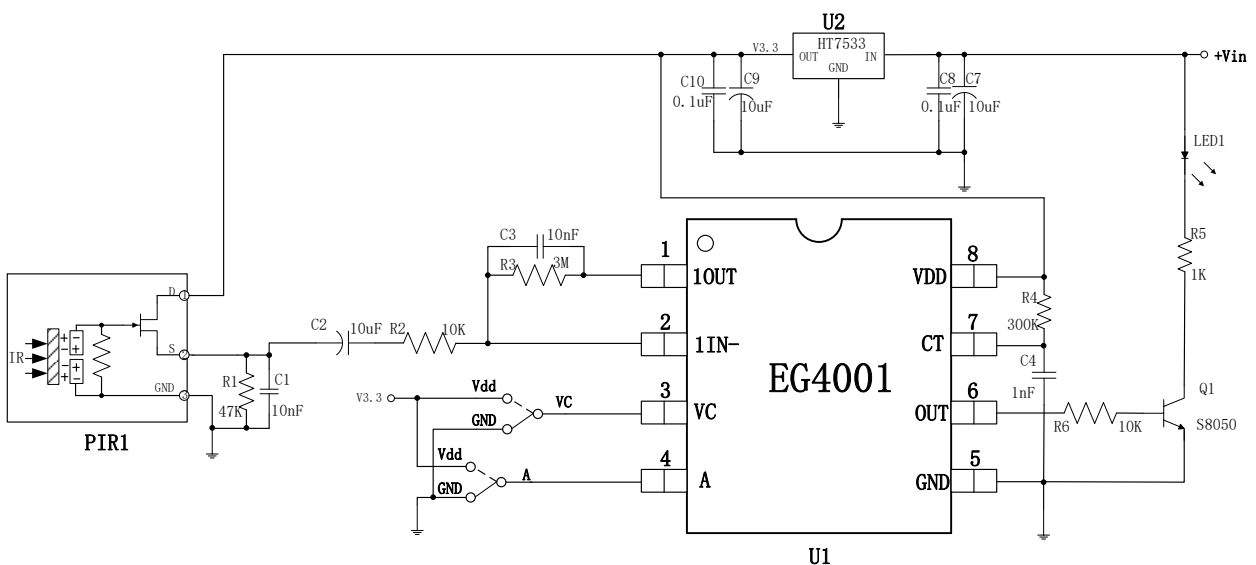


Figure 6.1aEG4001 typical application schematic

6.2 EG4001 Application Schematic to Drive Relay

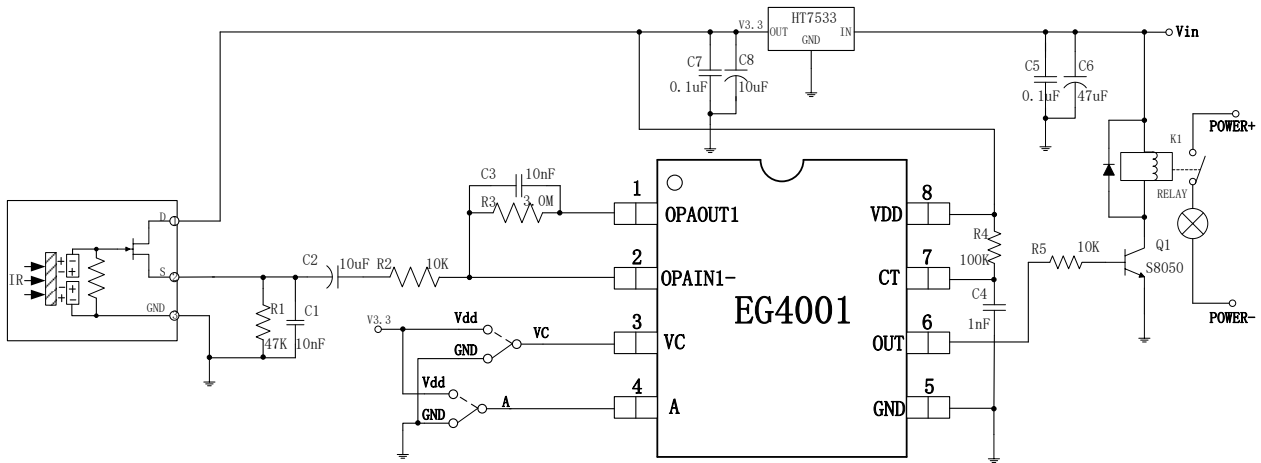


Figure 6.1b EG4001 application schematic to drive relay

6.3 EG4001 Application Schematic in Auto Trigger and CDS detector

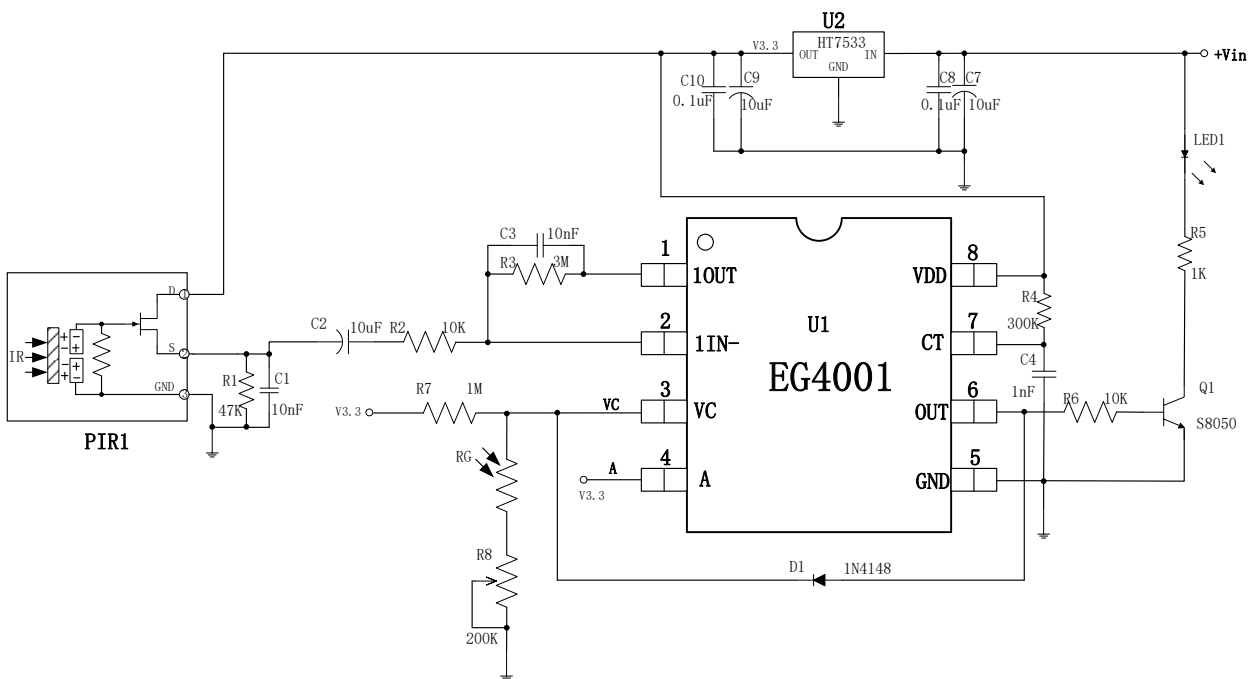


Figure 6.1c EG4001 application schematic in auto trigger and CDS detector

7. Electrical Characteristics

7.1 Absolute maximum ratings

TA=25°C unless otherwise specified

Symbol	Ratings	Conditions	Min	Max	Unit
VDD	Supply voltage	Respect to the GND	-0.3	7	V
OUT	Output	Respect to the GND	-0.3	7	V
CT	Timing RC input	Respect to the GND	-0.3	7	V
A	Trigger mode selection	Respect to the GND	-0.3	7	V
VC	Enable/Disable Trigger	Respect to the GND	-0.3	7	V
1IN-	First stage OP amp negative input	Respect to the GND	-0.3	7	V
1OUT	First stage OP amp output	Respect to the GND	-0.3	7	V
TA	Ambient temperature	-	-45	85	°C
Tstr	Storage temperature	-	-65	125	°C
TL	Lead temperature	Soldering, T=10S	-	300	°C

Note: Exceeding extreme conditions may permanently damage the chip. EG4001's reliability may be affected running at the extreme conditions for a long time.

7.2 Recommended operating conditions

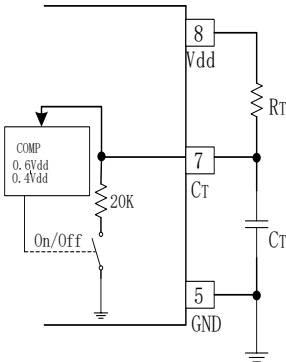
TA=25°C unless otherwise specified

Symbol	Ratings	Conditions	Min	Typ	Max	Unit
VDD	Operating Range	-	2.3	-	6	V
Icc	Operating Supply Current	Vdd=5V	-	65	75	uA
		Vdd=3V	-	35	45	uA
Vos	Input Offset Voltage	Vdd=5V	-	2	5	mV
Ios	Input Offset Current	Vdd=5V	-	-	50	nA
Avo	Voltage Gain	Open loop	60	-	-	dB
VOPAH	Output Voltage High for OP Amp	Vdd=5V, I _{LOAD} =5uA	4.5	4.85	-	V
VOPAL	Output Voltage Low for OP Amp	Vdd=5V, I _{LOAD} =-5uA	-	-	0.1	V
V _{CH}	Enable Threshold for VC	Vdd=5V	1.0	-	-	V
		Vdd=3V	0.6	-	-	V
V _{CL}	Disable Threshold for VC	Vdd=5V	-	-	0.9	V
		Vdd=3V	-	-	0.5	V
V _{OH}	Output Voltage High for OUT	Vdd=5V, I _{LOAD} =10mA	4.5	4.6	-	V
		Vdd=3V, I _{LOAD} =5mA	2.5	2.6	-	V
V _{OL}	Output Voltage Low for OUT	Vdd=5V, I _{LOAD} =-10mA	-	0.3	0.5	V
		Vdd=3V, I _{LOAD} =-5mA	-	0.3	0.5	V
V _{AH}	Auto Trigger Mode for A	Vdd=5V	3.5	5	-	V
		Vdd=3V	2	3	-	V
V _{AL}	Single Trigger Mode for A	Vdd=5V	-	0	1	V
		Vdd=3V	-	0	0.5	V

8. Functional Description

8.1 Oscillator

The oscillator frequency is programmed by the values selected for the timing components R_T and C_T shown in Figure 8.1a. The capacitor C_T is charged from the V_{DD} through resistor R_T to approximately $0.6V_{DD}$ and discharged to $0.4V_{DD}$ by an internal $20K\Omega$ pull-down resistor.



The approximately oscillator frequency is determined by: $T_{osc} = 0.4R_T C_T \frac{R_T}{R_T - 20K}$
 (Here resistor unit is $K\Omega$, capacitor is nF, T_{osc} is μS), and $f = 1/T_{osc}$. For example, $R_T = 100K$, $C_T = 1nF$, $T_{osc} = 0.4 * 100 * 1 * 1.25 = 50\mu S$, $f = 1/T = 20KHz$. When choosing the pull-up resistor R_T , the resistance must be greater than $100K$ or more.

Figure 8.1a oscillator frequency setting

8.2 Turn on delay timer and Stable timer

The turn on delay timer of EG4001 is defined to T_x , stable timer is defined to T_i , the ratio-coefficient of T_x and T_i is defined to K , $K = \frac{T_x}{T_i}$. For adapt to more applications, the EG4001 has different K values, and the suffix in the EG4001 product model is distinguished, as shown in table 8.2.

Table 8.2

Model	T_x	T_i	K
EG4001A	$100000 \times T_{osc}$	$20000 \times T_{osc}$	5
EG4001B	$100000 \times T_{osc}$	$10000 \times T_{osc}$	10
EG4001C	$100000 \times T_{osc}$	$7000 \times T_{osc}$	14
EG4001D	$100000 \times T_{osc}$	$5000 \times T_{osc}$	20
EG4001E	$100000 \times T_{osc}$	$4000 \times T_{osc}$	25
EG4001F	$100000 \times T_{osc}$	$3000 \times T_{osc}$	33
EG4001G	$100000 \times T_{osc}$	$2000 \times T_{osc}$	50

The turn on delay timer is used for setting up the timing of how long OUT pin is active, the timing time of T_x is equals to $100000 T_{osc}$ clock cycles, T_x time as shown in Figure 8.2a.

The stable timer is used for trigger blocking after T_x time out, OUT pin is output low level during trigger blocking as shown in Figure 8.2a, the timing time of T_i is shown in table 8.2.

The total timing time is $T = T_x + T_i$, for example using EG4001A, choosing $T_{osc} = 50\mu S$, then $T_x = 100000 * 50\mu S = 5S$, $T_i = 20000 * 50\mu S = 1S$ as table 8.2, total timing time is $T = 6S$.

When setting T_x is less than $15S$, suggested the use of a $K=5$ of EG4001A product, which is to obtain better stable time for filter the load switching.

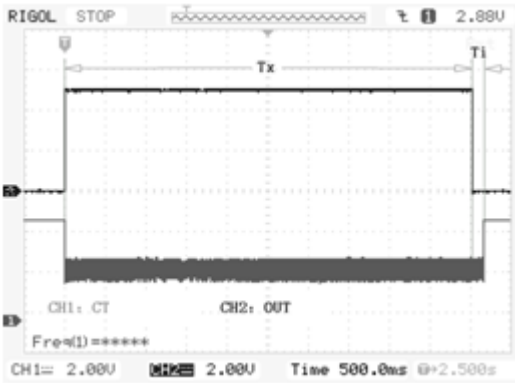


Figure 8.2a turn on delay timer Tx and stable timer Ti

8.3 Single Trigger and Auto Trigger on A pin

When A pin input is lower than 0.2VDD, EG4001 is working in single trigger mode. As Figure 8.3a, if Vc input is valid, the first rising edge of Vs will make the OUT to high level output, chip enters Tx delay timing and Ti blocking timing stage, in this Tx stage, the Vs signal will be invalid until Tx and Ti time out.

When A pin input is higher than 0.7VDD, EG4001 is working in auto trigger mode. As Figure 8.3b, if Vc input is valid, the first rising edge of Vs will make the OUT to high level output, chip enters Tx delay timing, in this Tx stage, the Tx delay time will be recount when Vs signal is triggered again, until Tx time out, chip enters Ti blocking time stage.

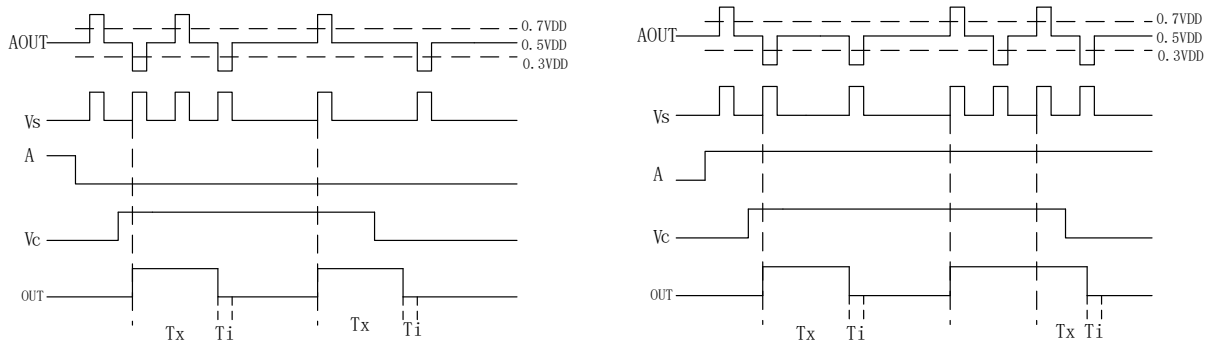


Figure 8.3a single trigger timing diagram Figure 8.3b auto trigger timing diagram

8.4 Enable/Disable Trigger Function on Vc pin

When Vc pin input is lower than 0.2VDD, EG4001 disable the PIR sensor function, and OUT pin is always to low level.

When Vc pin input is higher than 0.2VDD, EG4001 enable the PIR sensor function, OUT pin will be controlled by Vs trigger signal as shown in Figure8.3a and Figure8.3b.

A photo resistor can be applied to Vc pin for light and dark activated detector circuits.

8.5 OP amp Gain Setting

The gain of first stage OP amp is determined by R2 and R3, the second stage OP amp is fixed gain of 20 times, as shown in figure 8.5a, the total gain is $A=A_1 \times A_2$. In figure 8.5a configuration, the $A_1=R_3/R_2= (3 \times 10^6)/(10 \times 10^3)=300, A_2=20, A=A_1 \times A_2=300 \times 20=6000$. By adjusting the gain, the PIR distance of detection can be changed. Here C2 is DC-blocking capacitor.

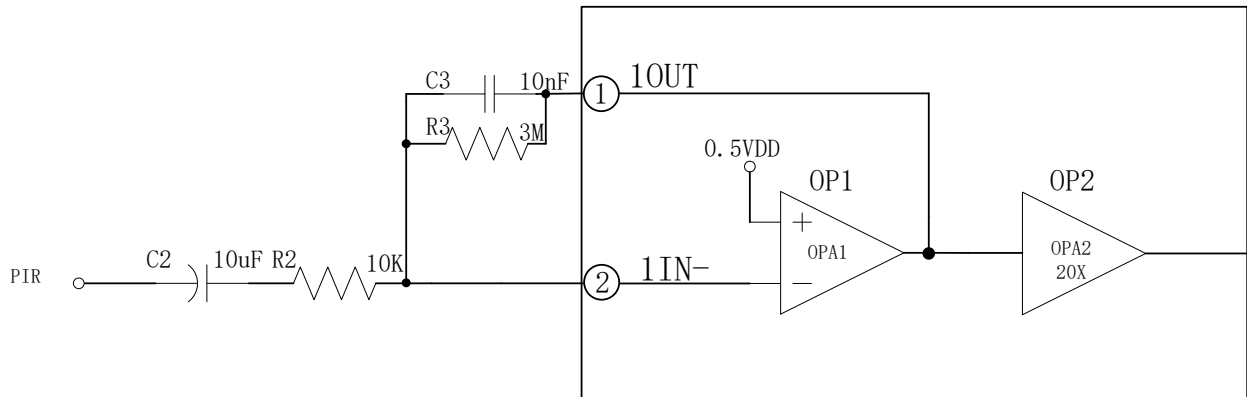
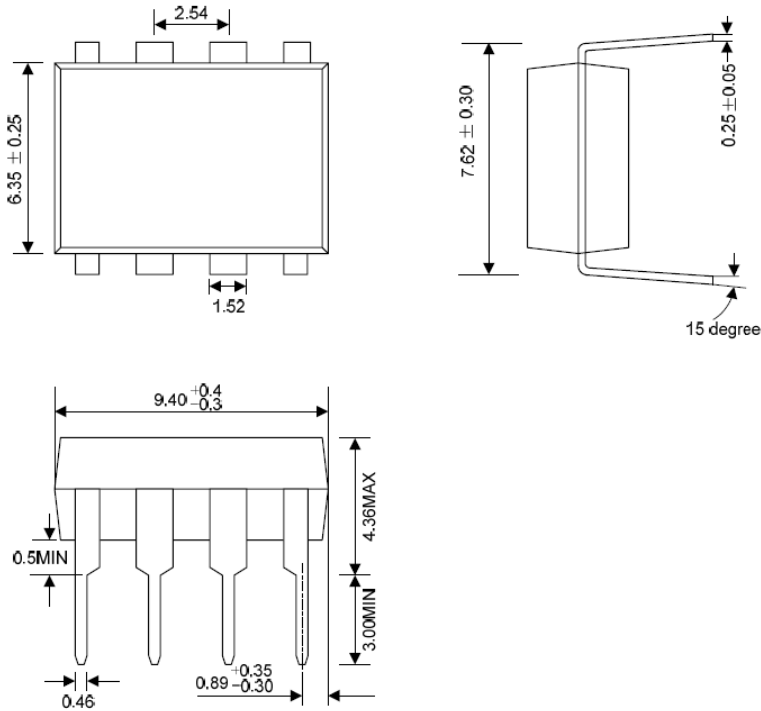


Figure 8.5a EG4001 OP amp gain setting

9. Package Information

9.1 DIP8 Dimension



9.2 SOP8 Dimension

