

**M8-Round-Plug Connector, Single-Ended Cordsets,  
According to IEC 61976-2-104**

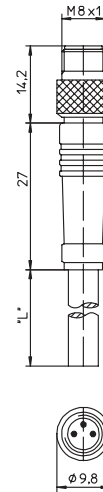
RSMV | RSMWV



**3- and 4-Poles**

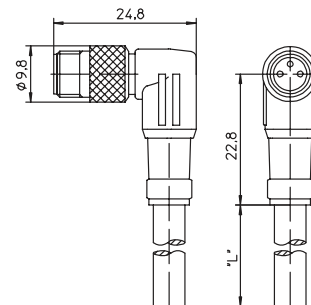
Actuator/sensor cordset, single-ended, M8,  
3- and 4-poles male straight connector with  
self-locking threaded joint and molded cable.

**RSMV**



Actuator/sensor cordset, single-ended, M8,  
3- and 4-poles male 90° connector with self-  
locking threaded joint and molded cable.

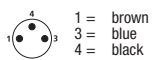
**RSMWV**



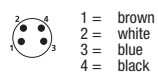
**Pin Assignments**

**M8**

**3 poles**



**4 poles**





Be Certain with Belden

**M8-Round-Plug Connector, Single-Ended Cordsets, According to IEC 61976-2-104**

RSMV 3 | RSMV 4 | RSMWV 3 | RSMWV 4

**Technical Data**

**Environmental**

Degree of protection IP 67 / NEMA 6P  
Operating temperature range -40°C (-40°F) / +90°C (+194°F)

**Mechanical**

Housing / Molded body TPU  
Insert PA / TPU  
Contact CuZn, pre-nickelated and 0.8 microns gold-plated  
Coupling nut CuZn, nickel-plated

**Electrical data**

Contact resistance ≤ 5 mΩ  
Nominal current at 40°C 4 A  
Nominal voltage 3 poles 60 V  
4 poles 30 V  
Rated voltage 3 poles 63 V  
4 poles 36 V  
Test voltage 3 poles 1.5 kV eff. / 60 s  
4 poles 0.8 kV eff. / 60 s  
Insulation resistance > 10<sup>9</sup> Ω  
Pollution degree 3

**Cable Specifications**

Cable No.	Outer Jacket	Conductor Size	Jacket Color	OD
06	PVC	3 x 0.34 mm <sup>2</sup>	Orange	.197" (5.0 mm)
07	PVC	4 x 0.75 mm <sup>2</sup>	Orange	.197" (5.0 mm)
224	PUR, halogen-free	3 x 0.34 mm <sup>2</sup>	Black	.169" (4.3 mm)
225	PUR, halogen-free	4 x 0.34 mm <sup>2</sup>	Black	.185" (4.7 mm)

Part Number	Pins	Outer Jacket	Standard Cable Lengths	Characteristics
RSMV 3-06/...M	3	PVC	2 M / 5 M / 10 M	
RSMV 3-224/...M		PUR, halogen-free	2 M / 5 M / 10 M	
RSMV 4-07/...M	4	PVC	2 M / 5 M / 10 M	
RSMV 4-225/...M		PUR-halogen-free	2 M / 5 M / 10 M	