

SN65C1167, SN75C1167, SN65C1168, SN75C1168 DUAL DIFFERENTIAL DRIVERS AND RECEIVERS

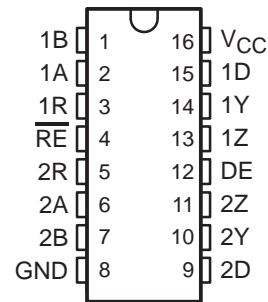
SLLS159E – MARCH 1993 – REVISED NOVEMBER 2003

- Meet or Exceed Standards TIA/EIA-422-B and ITU Recommendation V.11
- BiCMOS Process Technology
- Low Supply-Current Requirements:
9 mA Max
- Low Pulse Skew
- Receiver Input Impedance . . . 17 k Ω Typ
- Receiver Input Sensitivity . . . ± 200 mV
- Receiver Common-Mode Input Voltage Range of -7 V to 7 V
- Operate From Single 5-V Power Supply
- Glitch-Free Power-Up/Power-Down Protection
- Receiver 3-State Outputs Active-Low Enable for SN65C1167 and SN75C1167 Only
- Improved Replacements for the MC34050 and MC34051

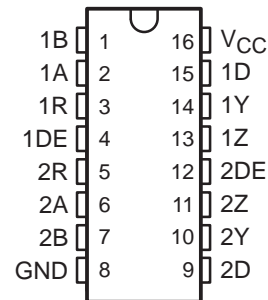
description/ordering information

The SN65C1167, SN75C1167, SN65C1168, and SN75C1168 dual drivers and receivers are integrated circuits designed for balanced transmission lines. The devices meet TIA/EIA-422-B and ITU recommendation V.11.

SN65C1167 . . . DB OR NS PACKAGE
SN75C1167 . . . DB, N, OR NS PACKAGE
(TOP VIEW)



SN65C1168 . . . N, NS, OR PW PACKAGE
SN75C1168 . . . DB, N, NS, OR PW PACKAGE
(TOP VIEW)



ORDERING INFORMATION

T _A	PACKAGE†		ORDERABLE PART NUMBER	TOP-SIDE MARKING
0°C to 70°C	PDIP (N)	Tube	SN75C1167N	SN75C1167N
	SOP (NS)	Tape and reel	SN75C1167NSR	75C1167
	SSOP (DB)	Tape and reel	SN75C1167DBR	CA1167
	PDIP (N)	Tube	SN75C1168N	SN75C1168N
	SOP (NS)	Tape and reel	SN75C1168NSR	75C1168
	SSOP (DB)	Tape and reel	SN75C1168DBR	CA1168
	TSSOP (PW)	Tube	SN75C1168PW	CA1168
	Tape and reel	SN75C1168PWR		
-40°C to 85°C	SOP (NS)	Tape and reel	SN65C1167NSR	65C1167
	SSOP (DB)	Tape and reel	SN65C1167DBR	CB1167
	PDIP (N)	Tube	SN65C1168N	SN65C1168N
	SOP (NS)	Tape and reel	SN65C1168NSR	65C1168
	TSSOP (PW)	Tube	SN65C1168PW	CB1168
		Tape and reel	SN65C1168PWR	

† Package drawings, standard packing quantities, thermal data, symbolization, and PCB design guidelines are available at www.ti.com/sc/package.



Please be aware that an important notice concerning availability, standard warranty, and use in critical applications of Texas Instruments semiconductor products and disclaimers thereto appears at the end of this data sheet.

PRODUCTION DATA information is current as of publication date. Products conform to specifications per the terms of Texas Instruments standard warranty. Production processing does not necessarily include testing of all parameters.

 **TEXAS
INSTRUMENTS**

POST OFFICE BOX 655303 • DALLAS, TEXAS 75265

Copyright © 2003, Texas Instruments Incorporated

SN65C1167, SN75C1167, SN65C1168, SN75C1168 DUAL DIFFERENTIAL DRIVERS AND RECEIVERS

SLLS159E – MARCH 1993 – REVISED NOVEMBER 2003

description/ordering information (continued)

The SN65C1167 and SN75C1167 combine dual 3-state differential line drivers and 3-state differential line receivers, both of which operate from a single 5-V power supply. The driver and receiver have active-high and active-low enables, respectively, which can be connected together externally to function as direction control. The SN65C1168 and SN75C1168 drivers have individual active-high enables.

Function Tables

EACH DRIVER

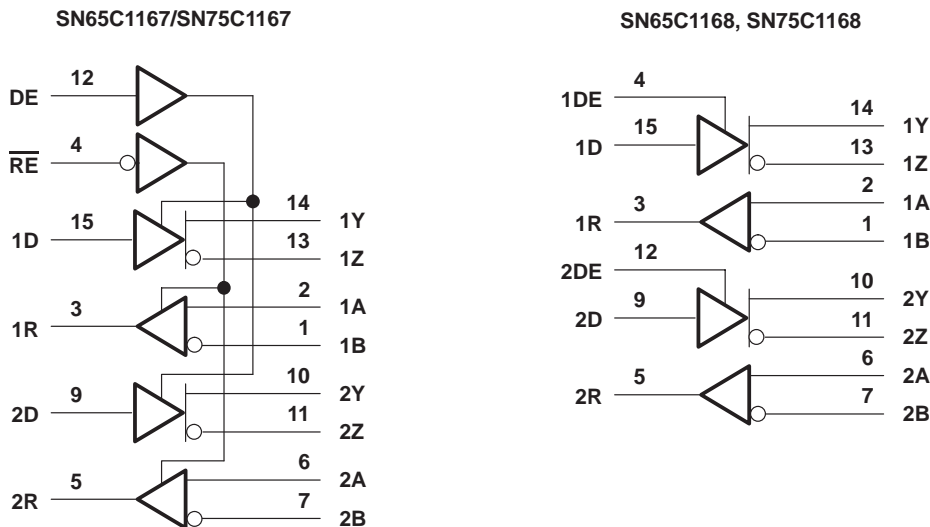
INPUT D	ENABLE DE	OUTPUTS	
		Y	Z
H	H	H	L
L	H	L	H
X	L	Z	Z

SN75C1167, EACH RECEIVER

DIFFERENTIAL INPUTS A - B	ENABLE RE	OUTPUT R
$V_{ID} \geq 0.2 V$	L	H
$-0.2 V < V_{ID} < 0.2 V$	L	?
$V_{ID} \leq -0.2 V$	L	L
X	H	Z
Open	L	H

H = high level, L = low level, ? = indeterminate,
X = irrelevant, Z = high impedance (off)

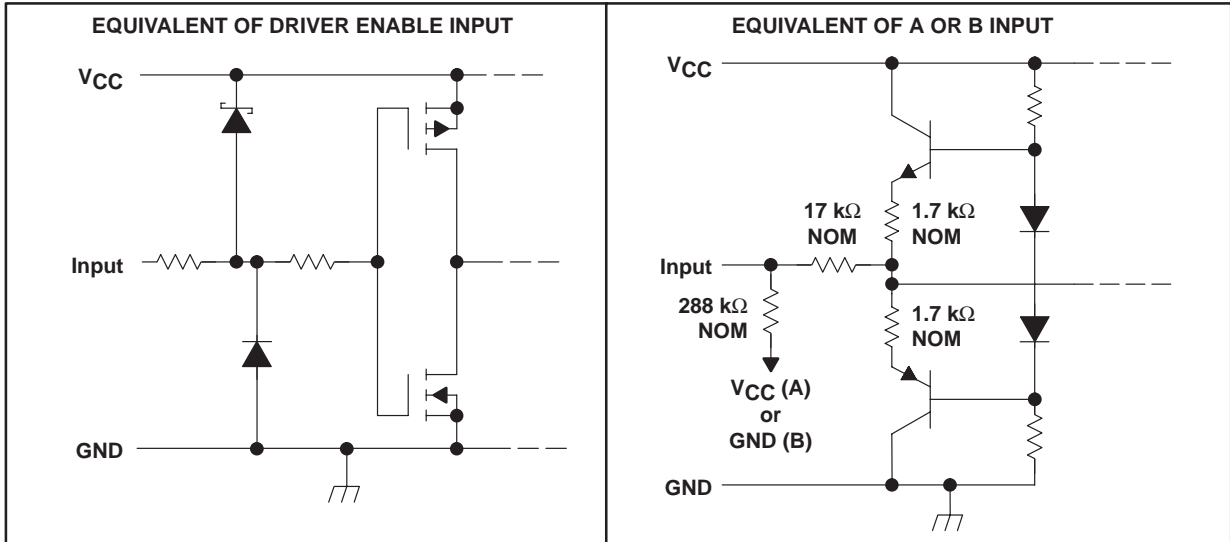
logic diagram (positive logic)



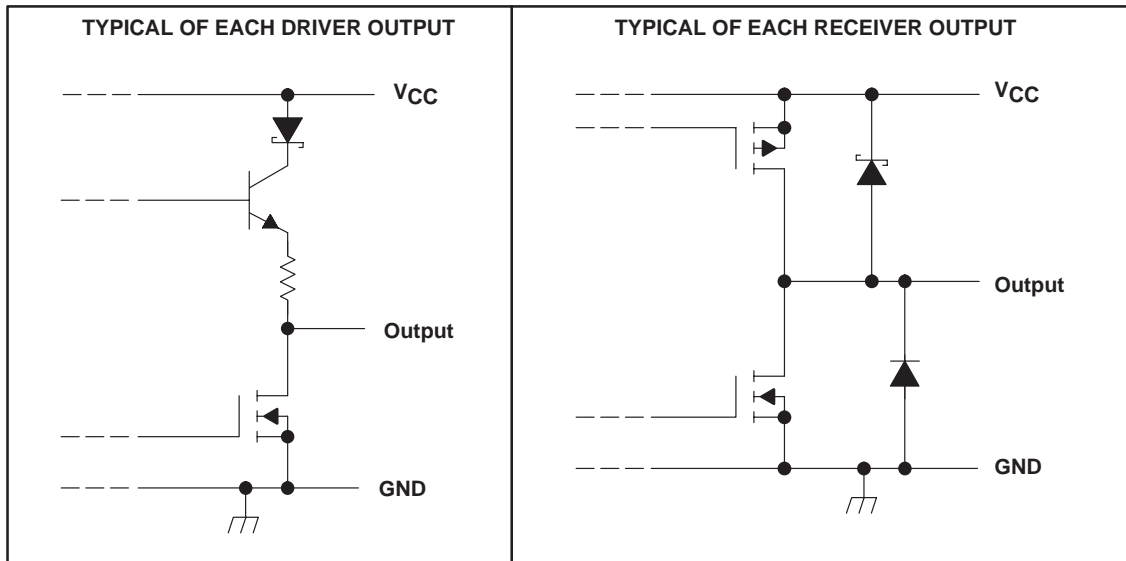
SN65C1167, SN75C1167, SN65C1168, SN75C1168 DUAL DIFFERENTIAL DRIVERS AND RECEIVERS

SLLS159E – MARCH 1993 – REVISED NOVEMBER 2003

schematics of inputs



schematics of outputs



SN65C1167, SN75C1167, SN65C1168, SN75C1168 DUAL DIFFERENTIAL DRIVERS AND RECEIVERS

SLLS159E – MARCH 1993 – REVISED NOVEMBER 2003

absolute maximum ratings over operating free-air temperature range (unless otherwise noted)†

Supply voltage range, V_{CC} (see Note 1)	-0.5 V to 7 V
Input voltage range, V_I	-0.5 V to $V_{CC} + 0.5$ V
Input voltage range, V_I (A or B, Receiver)	-11 V to 14 V
Differential input voltage range, V_{ID} , Receiver (see Note 2)	-14 V to 14 V
Output voltage range, V_O , Driver	-5 V to 7 V
Clamp current range, I_{IK} or I_{OK} , Driver	± 20 mA
Output current range, I_O , Driver	± 150 mA
Supply current, I_{CC}	200 mA
GND current	-200 mA
Output current range, I_O , Receiver	± 25 mA
Operating virtual junction temperature	150°C
Package thermal impedance, θ_{JA} (see Notes 3 and 4): DB package	82°C/W
N package	67°C/W
NS package	64°C/W
PW package	108°C/W
Storage temperature range, T_{stg}	-65°C to 150°C

† Stresses beyond those listed under “absolute maximum ratings” may cause permanent damage to the device. These are stress ratings only, and functional operation of the device at these or any other conditions beyond those indicated under “recommended operating conditions” is not implied. Exposure to absolute-maximum-rated conditions for extended periods may affect device reliability.

- NOTES:
1. All voltage values except differential input voltage are with respect to the network GND.
 2. Differential input voltage is measured at the noninverting terminal with respect to the inverting terminal.
 3. Maximum power dissipation is a function of $T_J(\text{max})$, θ_{JA} , and T_A . The maximum allowable power dissipation at any allowable ambient temperature is $P_D = (T_J(\text{max}) - T_A)/\theta_{JA}$. Selecting the maximum of 150°C can affect reliability.
 4. The package thermal impedance is calculated in accordance with JESD 51-7.

recommended operating conditions

		MIN	NOM	MAX	UNIT
V_{CC}	Supply voltage	4.5	5	5.5	V
V_{IC}	Common-mode input voltage (see Note 5)			± 7	V
V_{ID}	Differential input voltage			± 7	V
V_{IH}	High-level input voltage	2			V
V_{IL}	Low-level input voltage			0.8	V
I_{OH}	High-level output current			-6	mA
				-20	
I_{OL}	Low-level output current			6	mA
				20	
T_A	Operating free-air temperature	SN75C1167, SN75C1168	0	70	°C
		SN65C1167, SN65C1168	-40	85	

NOTE 5: Refer to TIA/EIA-422-B for exact conditions.



SN65C1167, SN75C1167, SN65C1168, SN75C1168 DUAL DIFFERENTIAL DRIVERS AND RECEIVERS

SLLS159E – MARCH 1993 – REVISED NOVEMBER 2003

DRIVER SECTION

electrical characteristics over recommended ranges of supply voltage and operating free-air temperature (unless otherwise noted)

PARAMETER		TEST CONDITIONS	MIN	TYP†	MAX	UNIT
V _{IK}	Input clamp voltage	I _I = -18 mA			-1.5	V
V _{OH}	High-level output voltage	V _{IH} = 2 V, V _{IL} = 0.8 V, I _{OH} = -20 mA	2.4	3.4		V
V _{OL}	Low-level output voltage	V _{IH} = 2 V, V _{IL} = 0.8 V, I _{OL} = 20 mA		0.2	0.4	V
V _{OD1}	Differential output voltage	I _O = 0 mA	2		6	V
V _{OD2}	Differential output voltage	R _L = 100 Ω, See Figure 1 and Note 5	2	3.1		V
Δ V _{OD}	Change in magnitude of differential output voltage				±0.4	V
V _{OC}	Common-mode output voltage				±3	V
Δ V _{OC}	Change in magnitude of common-mode output voltage				±0.4	V
I _{O(OFF)}	Output current with power off (see Note 3)	V _{CC} = 0 V				
		V _O = 6 V			100	μA
		V _O = -0.25 V			-100	μA
I _{OZ}	High-impedance-state output current	V _O = 2.5 V			20	μA
		V _O = 5 V			-20	μA
I _{IH}	High-level input current	V _I = V _{CC} or V _{IH}			1	μA
I _{IL}	Low-level input current	V _I = GND or V _{IL}			-1	μA
I _{OS}	Short-circuit output current	V _O = V _{CC} or GND, See Note 6	-30		-150	mA
I _{CC}	Supply current (total package)	No load, Enabled				
		V _I = V _{CC} or GND		4	6	mA
		V _I = 2.4 or 0.5 V, See Note 7		5	9	mA
C _i	Input capacitance			6		pF

† All typical values are at V_{CC} = 5 V and T_A = 25°C.

NOTES: 5. Refer to TIA/EIA-422-B for exact conditions.

6. Not more than one output should be shorted at a time, and the duration of the short circuit should not exceed one second.

7. This parameter is measured per input, while the other inputs are at V_{CC} or GND.

switching characteristics over recommended ranges of supply voltage and operating free-air temperature (unless otherwise noted)

PARAMETER		TEST CONDITIONS	MIN	TYP†	MAX	UNIT
t _{PHL}	Propagation delay time, high- to low-level output	R ₁ = R ₂ = 50 Ω, R ₃ = 500 Ω, C ₁ = C ₂ = C ₃ = 40 pF, S1 is open, See Figure 2		7	12	ns
t _{PLH}	Propagation delay time, low- to high-level output			7	12	ns
t _{sk(p)}	Pulse skew			0.5	4	ns
t _r	Rise time	R ₁ = R ₂ = 50 Ω, R ₃ = 500 Ω, C ₁ = C ₂ = C ₃ = 40 pF, S1 is open, See Figure 3		5	10	ns
t _f	Fall time			5	10	ns
t _{PZH}	Output enable time to high level	R ₁ = R ₂ = 50 Ω, R ₃ = 500 Ω, C ₁ = C ₂ = C ₃ = 40 pF, S1 is closed, See Figure 4		10	19	ns
t _{PZL}	Output enable time to low level			10	19	ns
t _{PHZ}	Output disable time from low level	R ₁ = R ₂ = 50 Ω, R ₃ = 500 Ω, C ₁ = C ₂ = C ₃ = 40 pF, S1 is closed, See Figure 4		7	16	ns
t _{PLZ}	Output disable time from high level			7	16	ns

† All typical values are at V_{CC} = 5 V and T_A = 25°C.



SN65C1167, SN75C1167, SN65C1168, SN75C1168 DUAL DIFFERENTIAL DRIVERS AND RECEIVERS

SLLS159E – MARCH 1993 – REVISED NOVEMBER 2003

RECEIVER SECTION

electrical characteristics over recommended ranges of common-mode input voltage, supply voltage, and operating free-air temperature (unless otherwise noted)

PARAMETER		TEST CONDITIONS		MIN	TYP†	MAX	UNIT
V_{IT+}	Positive-going input threshold voltage, differential input					0.2	V
V_{IT-}	Negative-going input threshold voltage, differential input			-0.2‡			V
V_{hys}	Input hysteresis ($V_{IT+} - V_{IT-}$)				60		mV
V_{IK}	Input clamp voltage, \overline{RE}	SN75C1167	$I_I = -18$ mA			-1.5	V
V_{OH}	High-level output voltage		$V_{ID} = 200$ mV, $I_{OH} = -6$ mA	3.8	4.2		V
V_{OL}	Low-level output voltage		$V_{ID} = -200$ mV, $I_{OL} = 6$ mA		0.1	0.3	V
I_{OZ}	High-impedance-state output current	SN75C1167	$V_O = V_{CC}$ or GND		± 0.5	± 5	μ A
I_I	Line input current		Other input at 0 V			1.5	mA
						-2.5	
I_I	Enable input current, \overline{RE}	SN75C1167	$V_I = V_{CC}$ or GND			± 1	μ A
r_i	Input resistance		$V_{IC} = -7$ V to 7 V, Other input at 0 V	4	17		k Ω
I_{CC}	Supply current (total package)		No load, Enabled			4	mA
						6	
						5	9

† All typical values are at $V_{CC} = 5$ V and $T_A = 25^\circ\text{C}$.

‡ The algebraic convention, where the less positive (more negative) limit is designated as minimum, is used in this data sheet for common-mode input voltage and threshold voltage levels only.

NOTE 5: Refer to TIA/EIA-422-B for exact conditions.

switching characteristics over recommended ranges of supply voltage and operating free-air temperature (unless otherwise noted) (see Note 8)

PARAMETER		TEST CONDITIONS		MIN	TYP†	MAX	UNIT
t_{PLH}	Propagation delay time, low- to high-level output		See Figure 5	9	17	27	ns
t_{PHL}	Propagation delay time, high- to low-level output			9	17	27	ns
t_{TLH}	Transition time, low- to high-level output		$V_{IC} = 0$ V, See Figure 5		4	9	ns
t_{THL}	Transition time, high- to low-level output				4	9	ns
t_{PZH}	Output enable time to high level		$R_L = 1$ kW, See Figure 6		13	22	ns
t_{PZL}	Output enable time to low level				13	22	ns
t_{PHZ}	Output disable time from high level				13	22	ns
t_{PLZ}	Output disable time from low level				13	22	ns

† All typical values are at $V_{CC} = 5$ V and $T_A = 25^\circ\text{C}$.

NOTE 8: Measured per input while the other inputs are at V_{CC} or GND



PARAMETER MEASUREMENT INFORMATION

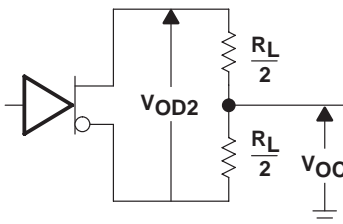
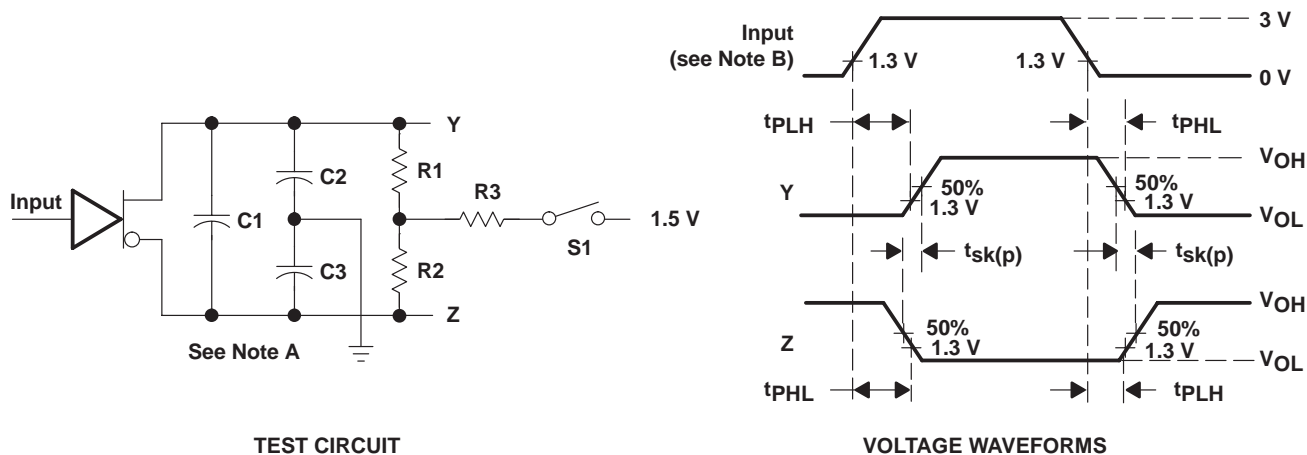
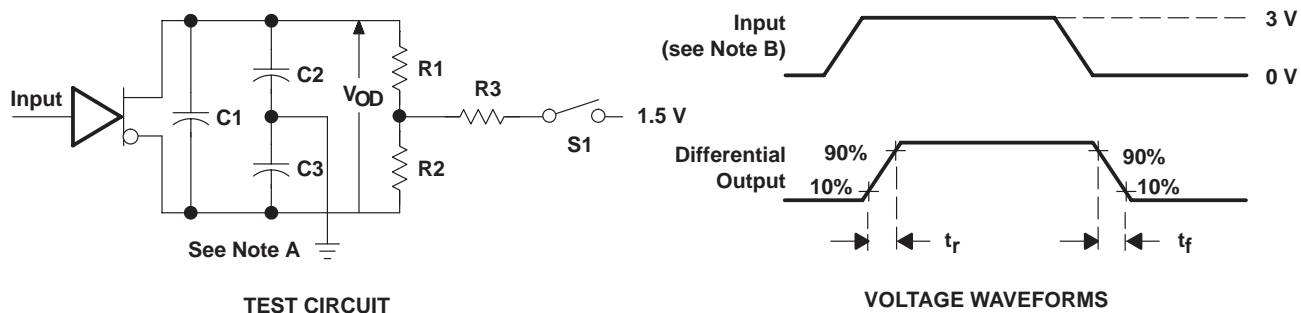


Figure 1. Driver Test Circuit, V_{OD} and V_{OC}



NOTES: A. C1, C2, and C3 include probe and jig capacitance.
 B. The input pulse is supplied by a generator having the following characteristics: PRR = 1 MHz, duty cycle = 50%, $t_r = t_f \leq 6$ ns.

Figure 2. Driver Test Circuit and Voltage Waveforms



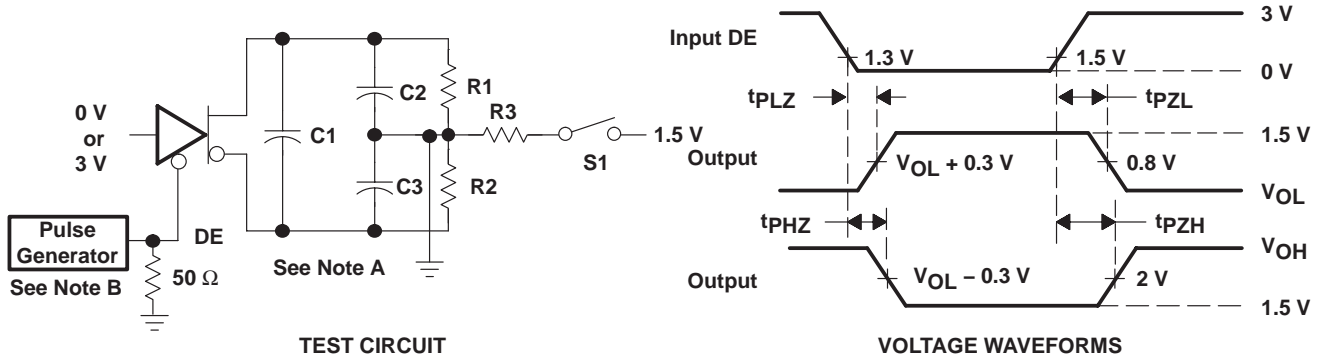
NOTES: A. C1, C2, and C3 include probe and jig capacitance.
 B. The input pulse is supplied by a generator having the following characteristics: PRR = 1 MHz, duty cycle = 50%, $t_r = t_f \leq 6$ ns.

Figure 3. Driver Test Circuit and Voltage Waveforms

SN65C1167, SN75C1167, SN65C1168, SN75C1168 DUAL DIFFERENTIAL DRIVERS AND RECEIVERS

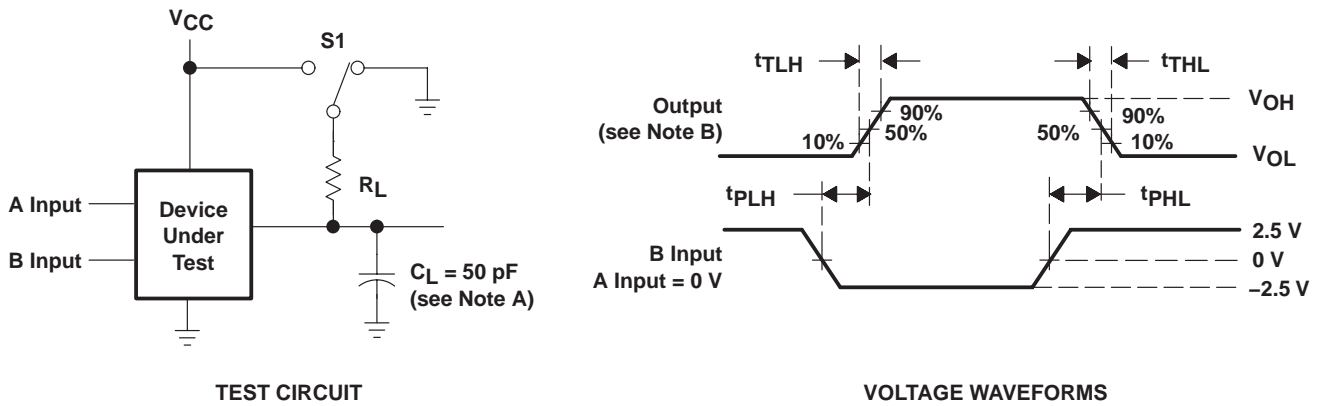
SLLS159E – MARCH 1993 – REVISED NOVEMBER 2003

PARAMETER MEASUREMENT INFORMATION



- NOTES: A. C1, C2, and C3 include probe and jig capacitance.
 B. The input pulse is supplied by a generator having the following characteristics: PRR = 1 MHz, duty cycle = 50%, $t_r = t_f \leq 6$ ns.

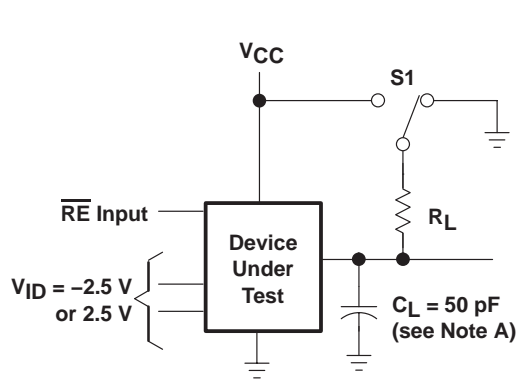
Figure 4. Driver Test Circuit and Voltage Waveforms



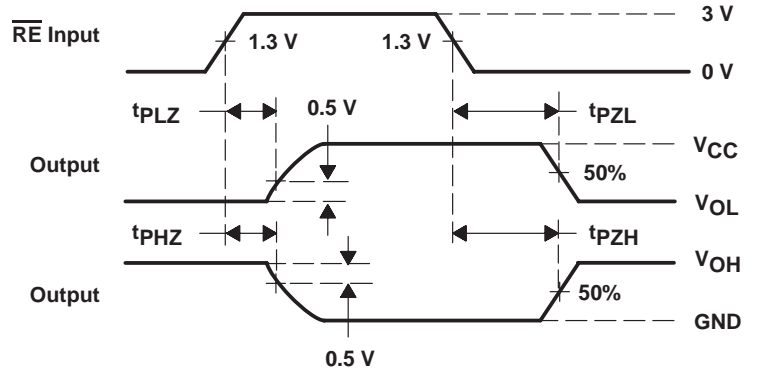
- NOTES: A. C_L includes probe and jig capacitance.
 B. The pulse generator has the following characteristics: PRR \leq 1 MHz, duty cycle = 50%, $t_r = t_f \leq 6$ ns.

Figure 5. Receiver Test Circuit and Voltage Waveforms

PARAMETER MEASUREMENT INFORMATION



TEST CIRCUIT



t_{pZL} , t_{pLZ} Measurement: S1 to V_{CC}
 t_{pZH} , t_{pHZ} Measurement: S1 to GND

VOLTAGE WAVEFORMS

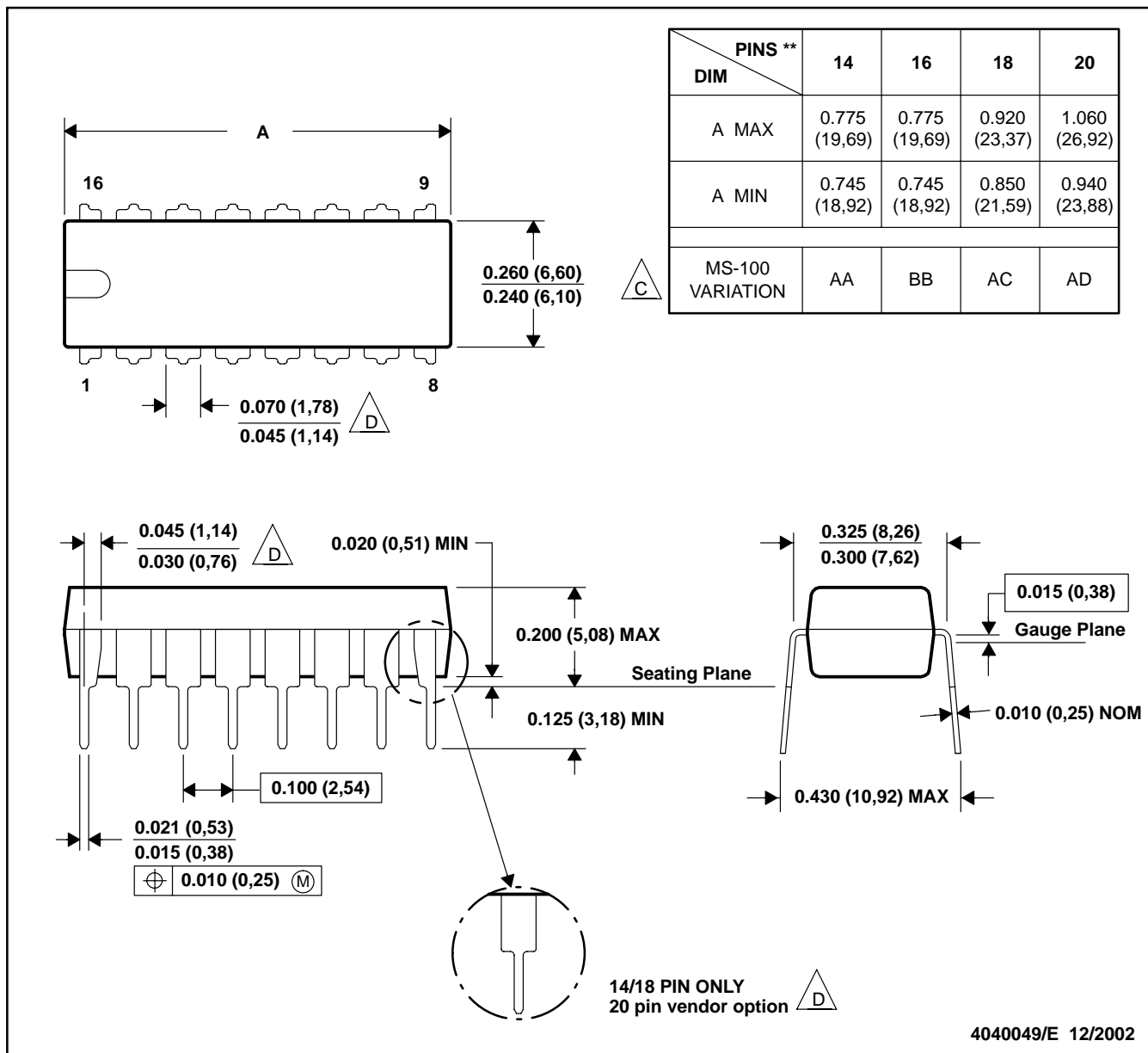
- NOTES: A. C_L includes probe and jig capacitance.
 B. The pulse generator has the following characteristics: $PRR \leq 1 \text{ MHz}$, duty cycle = 50%, $t_r = t_f \leq 6 \text{ ns}$.

Figure 6. Receiver Test Circuit and Voltage Waveforms

N (R-PDIP-T**)

PLASTIC DUAL-IN-LINE PACKAGE

16 PINS SHOWN



- NOTES: A. All linear dimensions are in inches (millimeters).
 B. This drawing is subject to change without notice.
 C Falls within JEDEC MS-001, except 18 and 20 pin minimum body length (Dim A).
 D The 20 pin end lead shoulder width is a vendor option, either half or full width.

4040049/E 12/2002

MECHANICAL DATA

NS (R-PDSO-G**)

PLASTIC SMALL-OUTLINE PACKAGE

14-PINS SHOWN



- NOTES:
- A. All linear dimensions are in millimeters.
 - B. This drawing is subject to change without notice.
 - C. Body dimensions do not include mold flash or protrusion, not to exceed 0,15.

DB (R-PDSO-G**)

PLASTIC SMALL-OUTLINE

28 PINS SHOWN



- NOTES: A. All linear dimensions are in millimeters.
 B. This drawing is subject to change without notice.
 C. Body dimensions do not include mold flash or protrusion not to exceed 0,15.
 D. Falls within JEDEC MO-150

PW (R-PDSO-G**)

PLASTIC SMALL-OUTLINE PACKAGE

14 PINS SHOWN



4040064/F 01/97

- NOTES: A. All linear dimensions are in millimeters.
 B. This drawing is subject to change without notice.
 C. Body dimensions do not include mold flash or protrusion not to exceed 0,15.
 D. Falls within JEDEC MO-153

IMPORTANT NOTICE

Texas Instruments Incorporated and its subsidiaries (TI) reserve the right to make corrections, modifications, enhancements, improvements, and other changes to its products and services at any time and to discontinue any product or service without notice. Customers should obtain the latest relevant information before placing orders and should verify that such information is current and complete. All products are sold subject to TI's terms and conditions of sale supplied at the time of order acknowledgment.

TI warrants performance of its hardware products to the specifications applicable at the time of sale in accordance with TI's standard warranty. Testing and other quality control techniques are used to the extent TI deems necessary to support this warranty. Except where mandated by government requirements, testing of all parameters of each product is not necessarily performed.

TI assumes no liability for applications assistance or customer product design. Customers are responsible for their products and applications using TI components. To minimize the risks associated with customer products and applications, customers should provide adequate design and operating safeguards.

TI does not warrant or represent that any license, either express or implied, is granted under any TI patent right, copyright, mask work right, or other TI intellectual property right relating to any combination, machine, or process in which TI products or services are used. Information published by TI regarding third-party products or services does not constitute a license from TI to use such products or services or a warranty or endorsement thereof. Use of such information may require a license from a third party under the patents or other intellectual property of the third party, or a license from TI under the patents or other intellectual property of TI.

Reproduction of information in TI data books or data sheets is permissible only if reproduction is without alteration and is accompanied by all associated warranties, conditions, limitations, and notices. Reproduction of this information with alteration is an unfair and deceptive business practice. TI is not responsible or liable for such altered documentation.

Resale of TI products or services with statements different from or beyond the parameters stated by TI for that product or service voids all express and any implied warranties for the associated TI product or service and is an unfair and deceptive business practice. TI is not responsible or liable for any such statements.

Following are URLs where you can obtain information on other Texas Instruments products and application solutions:

Products		Applications	
Amplifiers	amplifier.ti.com	Audio	www.ti.com/audio
Data Converters	dataconverter.ti.com	Automotive	www.ti.com/automotive
DSP	dsp.ti.com	Broadband	www.ti.com/broadband
Interface	interface.ti.com	Digital Control	www.ti.com/digitalcontrol
Logic	logic.ti.com	Military	www.ti.com/military
Power Mgmt	power.ti.com	Optical Networking	www.ti.com/opticalnetwork
Microcontrollers	microcontroller.ti.com	Security	www.ti.com/security
		Telephony	www.ti.com/telephony
		Video & Imaging	www.ti.com/video
		Wireless	www.ti.com/wireless

Mailing Address: Texas Instruments
Post Office Box 655303 Dallas, Texas 75265

Copyright © 2003, Texas Instruments Incorporated